



US00D569276S

(12) **United States Design Patent**  
**Scheufele**

(10) **Patent No.:** **US D569,276 S**

(45) **Date of Patent:** **\*\* May 20, 2008**

(54) **WATCH**

(75) **Inventor:** **Karl-Friedrich Scheufele**, rte de Promenthoux (CH)

(73) **Assignee:** **Chopard International SA**, Prangins (CH)

(\*\*) **Term:** **14 Years**

(21) **Appl. No.:** **29/241,774**

(22) **Filed:** **Nov. 1, 2005**

(30) **Foreign Application Priority Data**

May 4, 2005 (WO) ..... DM/066 752

(51) **LOC (8) Cl.** ..... **10-02**

(52) **U.S. Cl.** ..... **D10/39**

(58) **Field of Classification Search** ..... D10/30-39, D10/123-126; 368/276, 281, 282, 283, 285, 368/21, 223, 228, 232, 319  
See application file for complete search history.

(56) **References Cited**

**U.S. PATENT DOCUMENTS**

D195,421 S \* 6/1963 Huguenin ..... D10/39  
5,226,023 A \* 7/1993 Grimm ..... 368/223  
D352,470 S \* 11/1994 Besson ..... D10/39

D356,961 S \* 4/1995 Giardiello ..... D10/39  
D362,634 S \* 9/1995 Bulgari ..... D10/39  
D415,694 S \* 10/1999 Fichter ..... D10/30  
D418,427 S \* 1/2000 Fichter ..... D10/30  
D444,078 S \* 6/2001 Strasser ..... D10/39  
D452,175 S \* 12/2001 Finazzi ..... D10/39  
D471,115 S \* 3/2003 Buechner ..... D10/39  
D488,077 S \* 4/2004 Bitetto ..... D10/39  
6,967,903 B2 \* 11/2005 Guanter ..... 368/224  
D519,851 S \* 5/2006 Seyr ..... D10/31

\* cited by examiner

*Primary Examiner*—Lucy Lieberman

(74) *Attorney, Agent, or Firm*—McGlew and Tuttle, P.C.

(57) **CLAIM**

The ornamental design for a watch, as shown.

**DESCRIPTION**

FIG. 1 is a left side view of my new watch;  
FIG. 2 is a top view thereof;  
FIG. 3 is a right side view thereof;  
FIG. 4 is a front end view thereof;  
FIG. 5 is a rear view thereof; and,  
FIG. 6 is a top and right side perspective view thereof.

**1 Claim, 2 Drawing Sheets**

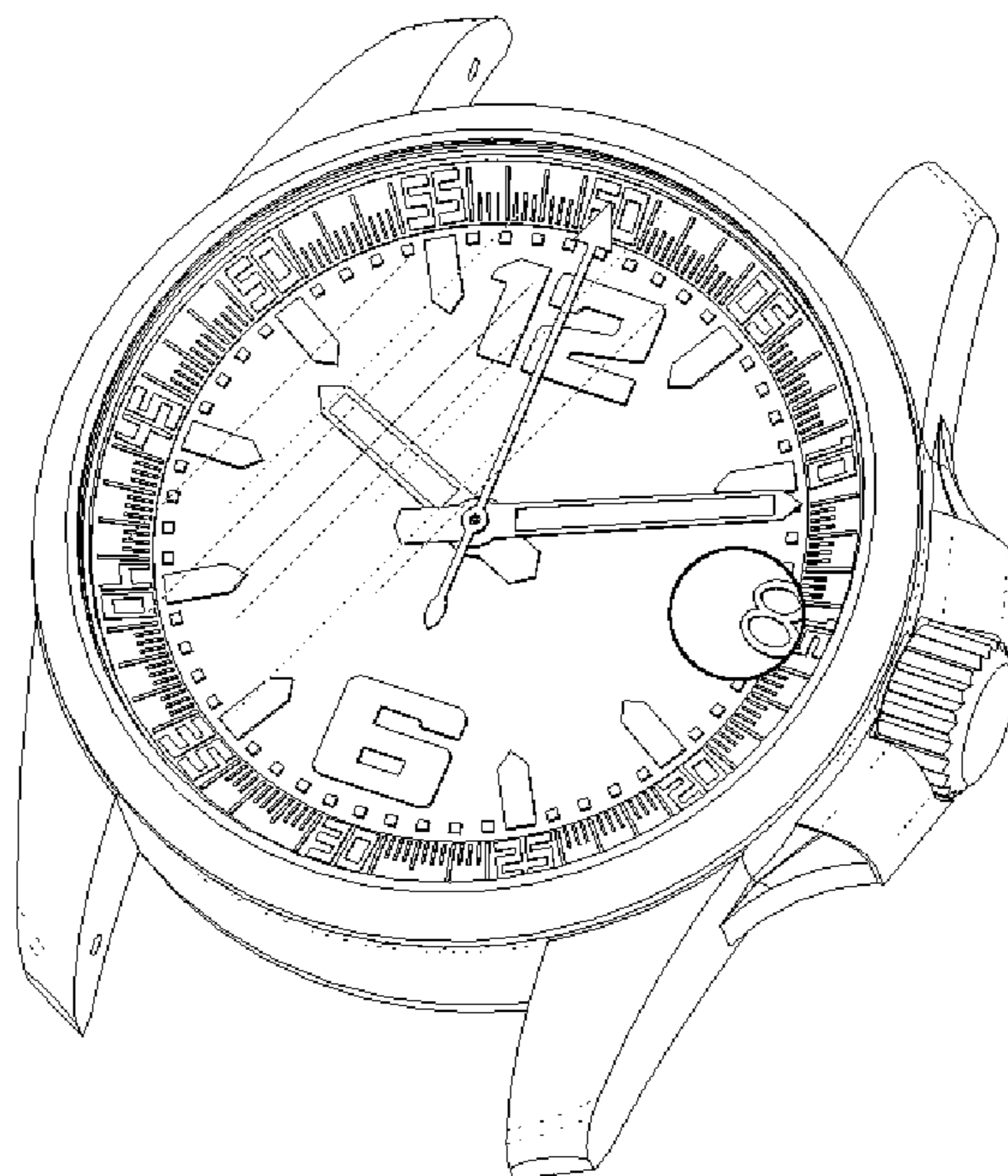




Fig. 1

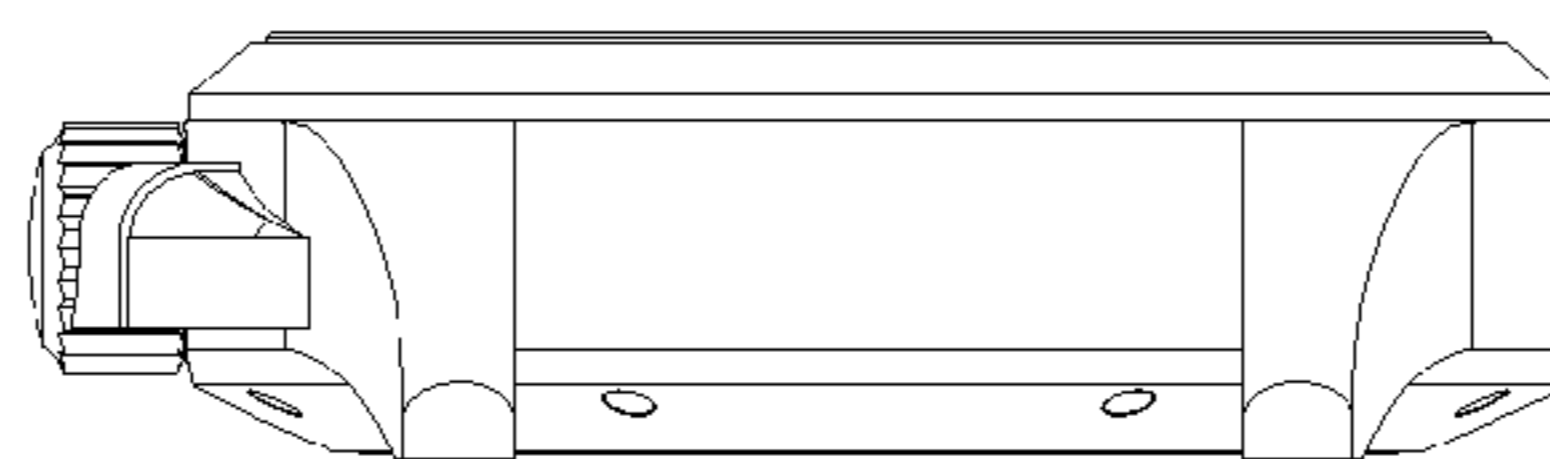


Fig. 2

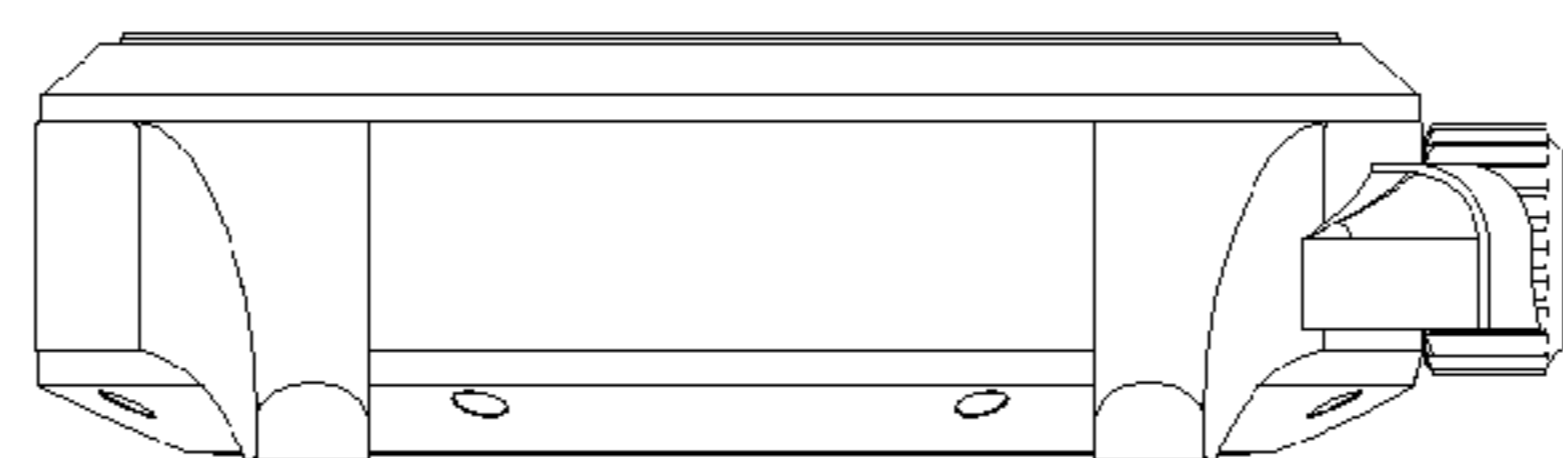


Fig. 3

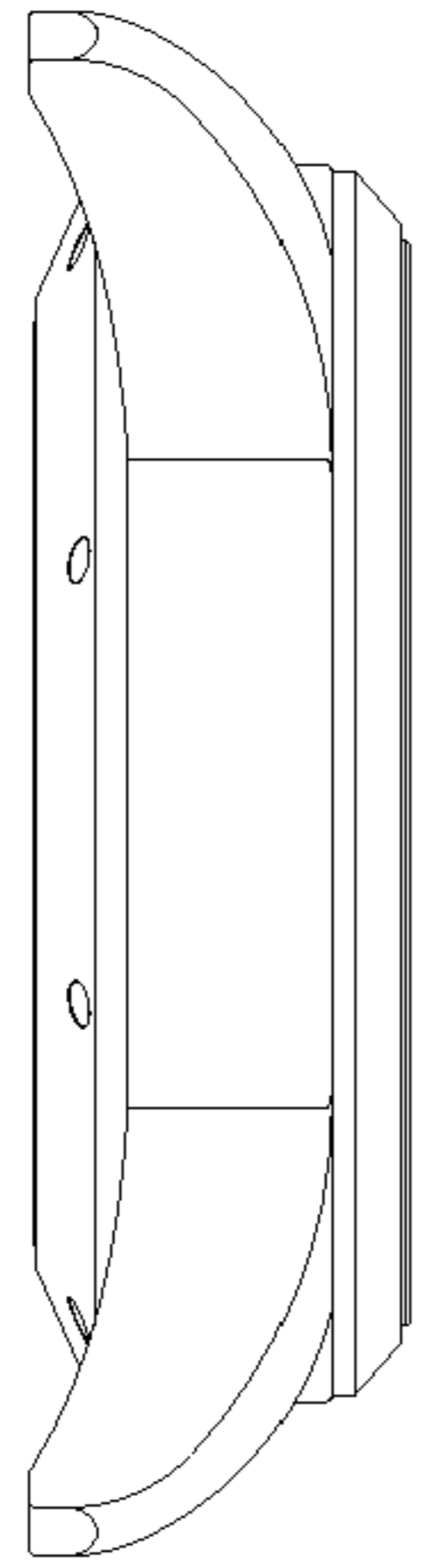


Fig. 4

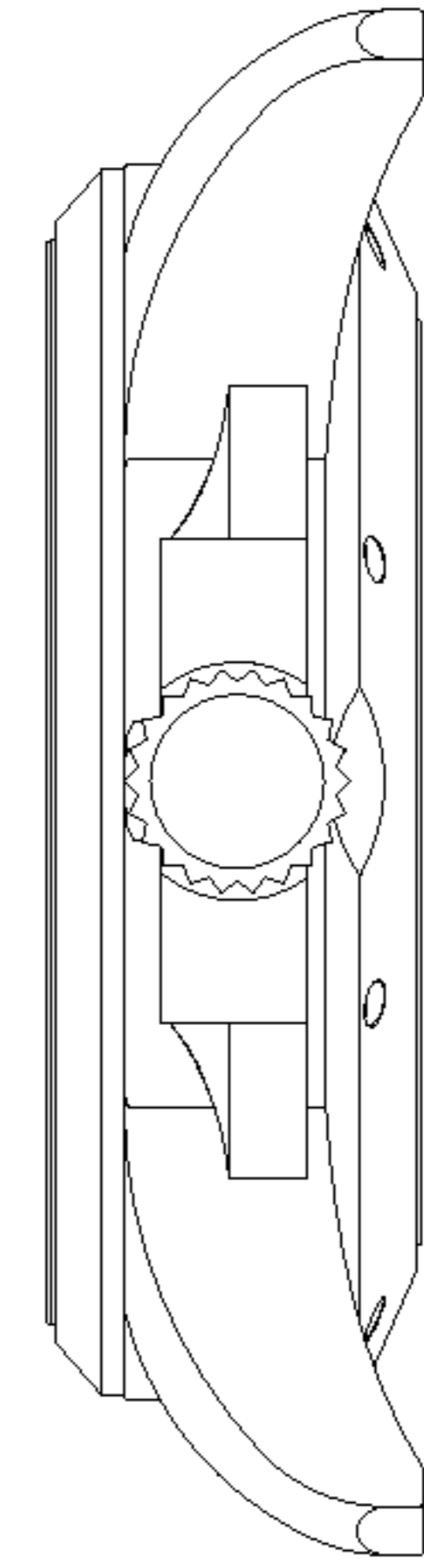


Fig. 5

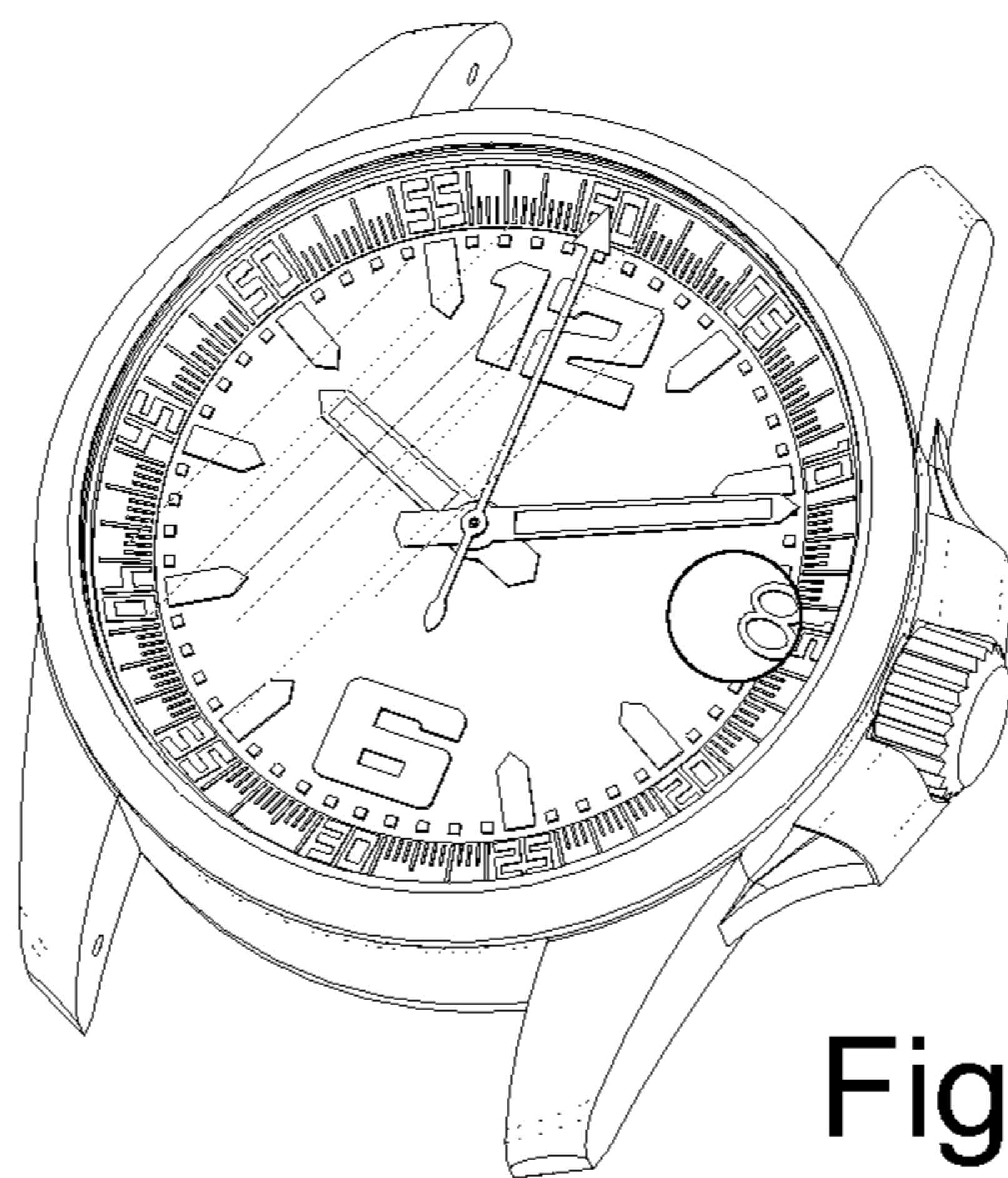


Fig. 6