



US00D569275S

(12) **United States Design Patent**
Moriai et al.

(10) **Patent No.:** **US D569,275 S**

(45) **Date of Patent:** **** May 20, 2008**

- (54) **WATCH CASE**
- (75) Inventors: **Ryusuke Moriai**, Ome (JP); **Tatsumi Anno**, Akishima (JP)
- (73) Assignee: **Casio Keisanki Kabushiki Kaisha**, Tokyo (JP)
- (**) Term: **14 Years**
- (21) Appl. No.: **29/293,361**
- (22) Filed: **Nov. 19, 2007**
- (51) **LOC (8) Cl.** **10-02**
- (52) **U.S. Cl.** **D10/38**
- (58) **Field of Classification Search** D10/30-39;
368/276, 281, 282, 285, 239-242, 29, 30,
368/82-84

D526,213 S *	8/2006	Moriai et al.	D10/38
D526,214 S *	8/2006	Morishima et al.	D10/38
D526,578 S *	8/2006	Ikezu et al.	D10/38
D527,282 S *	8/2006	Nakai et al.	D10/38
D536,994 S *	2/2007	Sugisawa et al.	D10/31
D536,997 S *	2/2007	Asakawa	D10/38
D541,180 S *	4/2007	Umebayashi	D10/38
D546,710 S *	7/2007	Watanabe et al.	D10/31
D551,993 S *	10/2007	Kachi	D10/38

* cited by examiner

Primary Examiner—Lucy Lieberman

(74) *Attorney, Agent, or Firm*—Frishauf, Holtz, Goodman & Chick, P.C.

See application file for complete search history.

(57) **CLAIM**

The ornamental design for a watch case, as shown.

DESCRIPTION

FIG. 1 is a front, right side, bottom perspective view of a watch case showing our new design;

FIG. 2 is a front elevational view thereof;

FIG. 3 is a rear elevational view thereof;

FIG. 4 is a left side view thereof;

FIG. 5 is a right side view thereof;

FIG. 6 is a top plan view thereof; and,

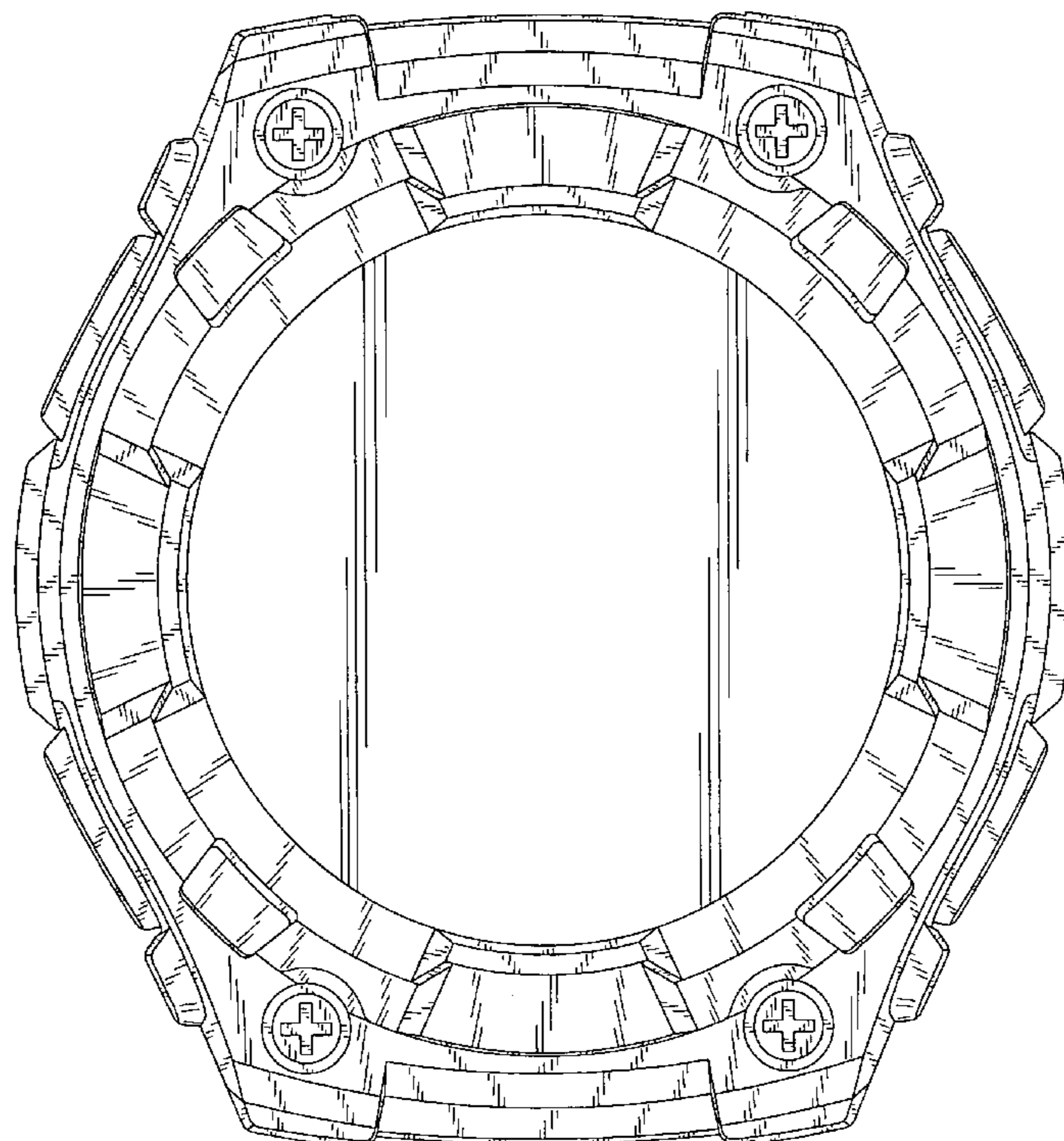
FIG. 7 is a bottom plan view thereof.

(56) **References Cited**

U.S. PATENT DOCUMENTS

D287,470 S *	12/1986	Houlihan	D10/30
D413,527 S *	9/1999	Hanagata	D10/30
D426,780 S *	6/2000	Goto et al.	D10/30
D451,825 S *	12/2001	Hanagata	D10/30
D479,691 S *	9/2003	Goto	D10/30
D486,402 S *	2/2004	Shoubayashi	D10/30
D488,389 S *	4/2004	Moriai et al.	D10/30
D489,999 S *	5/2004	Yamamoto	D10/30
D496,868 S *	10/2004	Yamamoto	D10/30
D504,829 S *	5/2005	Moriai	D10/30

1 Claim, 6 Drawing Sheets



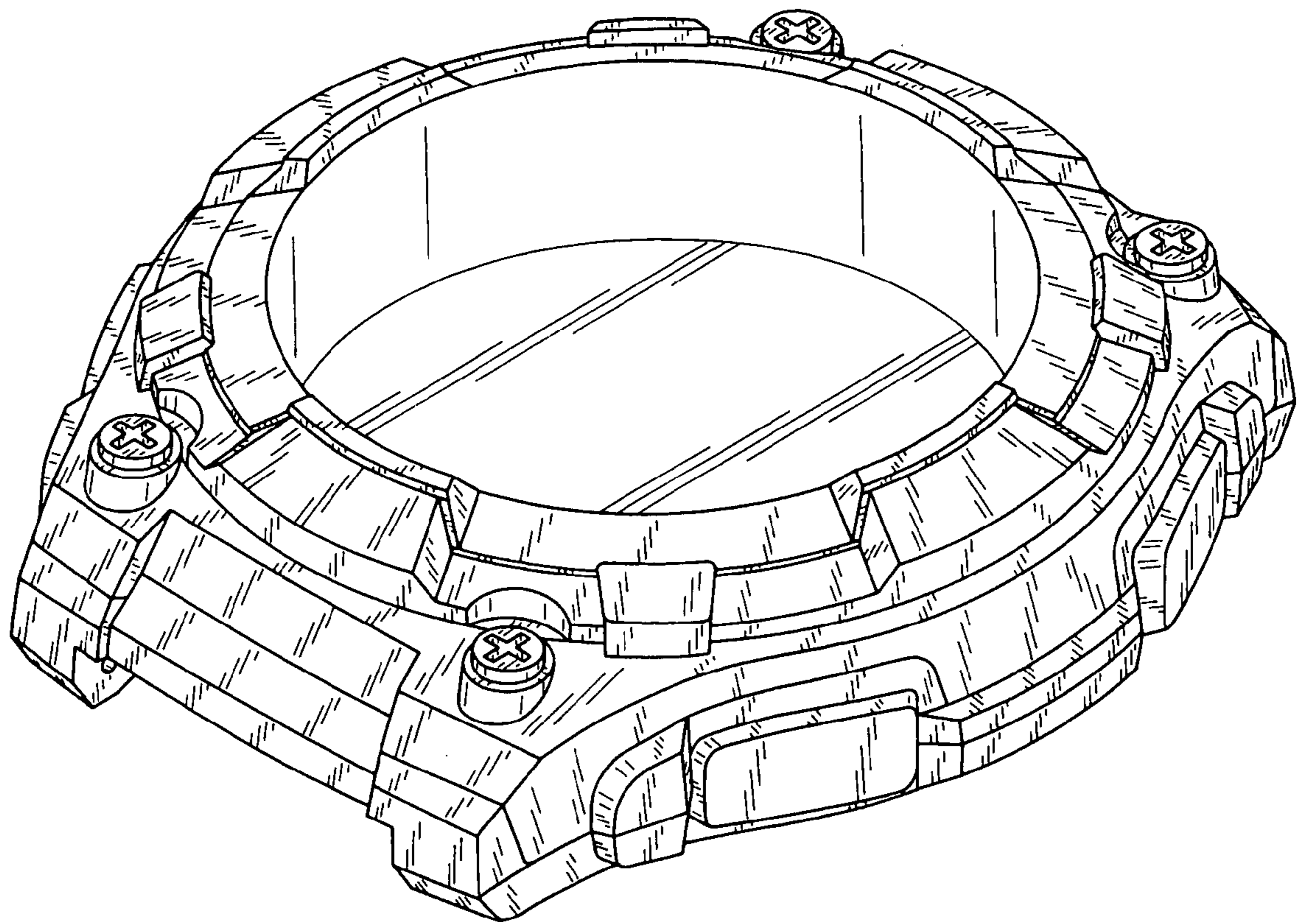


FIG. 1

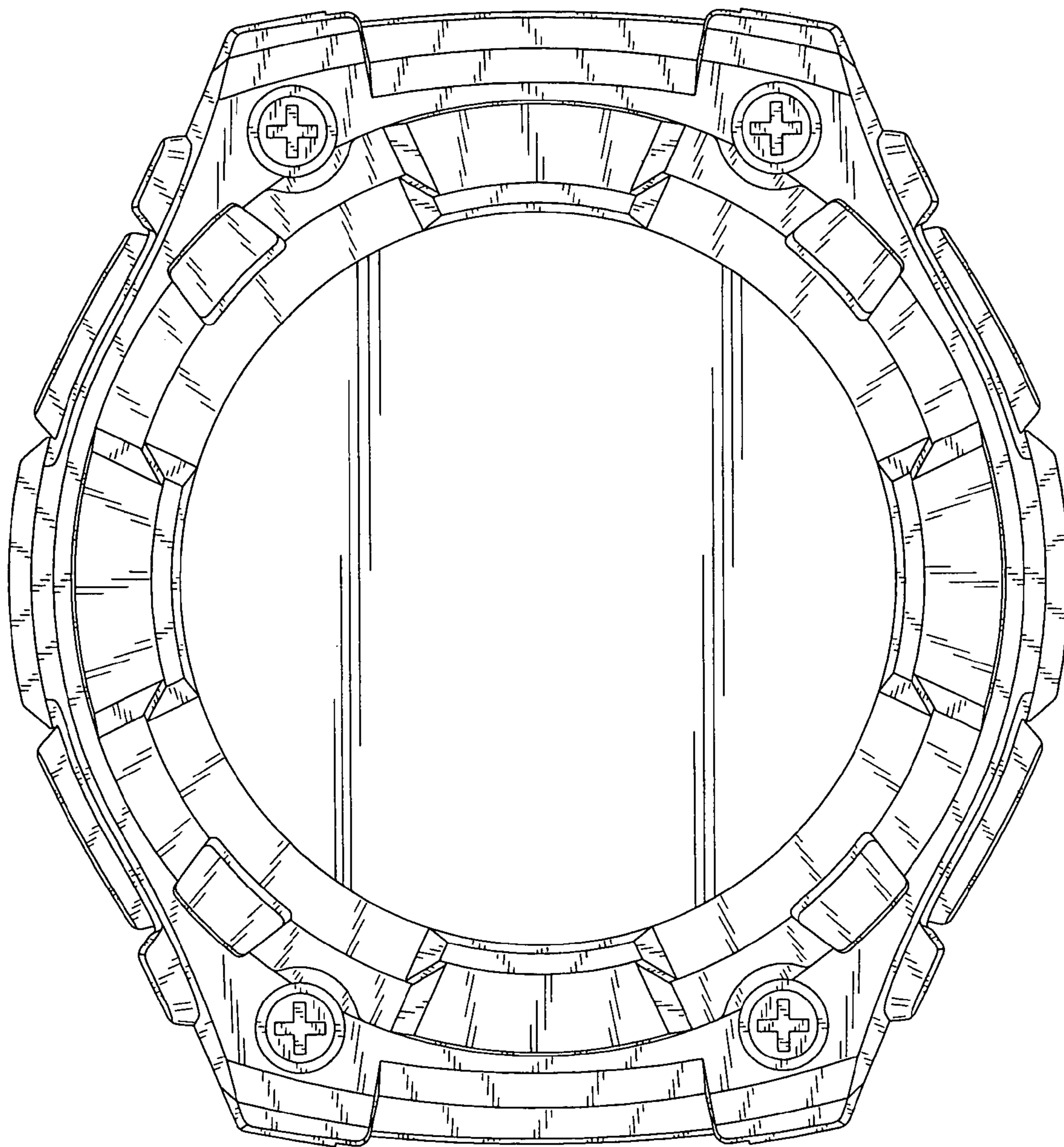


FIG. 2

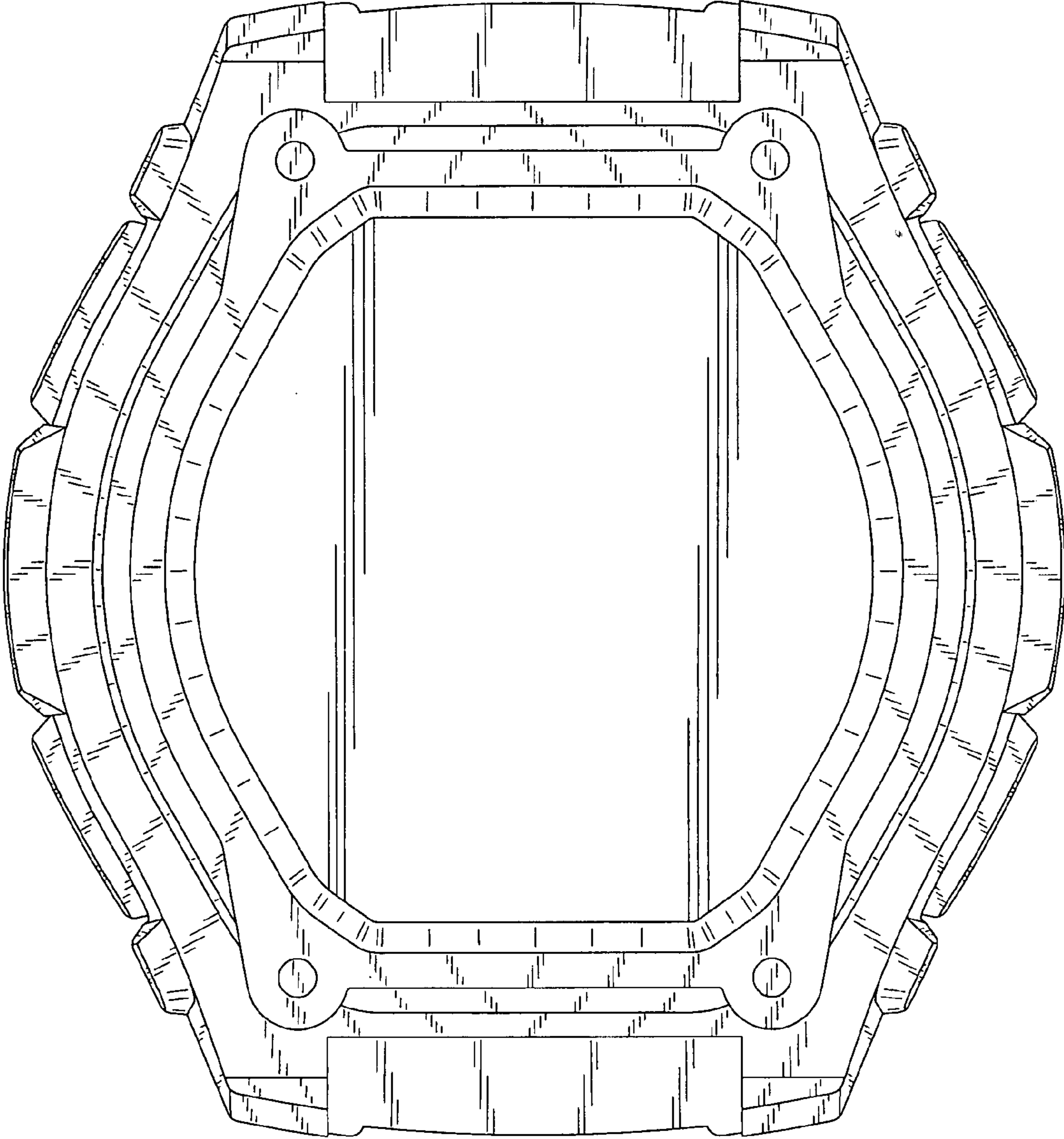


FIG. 3

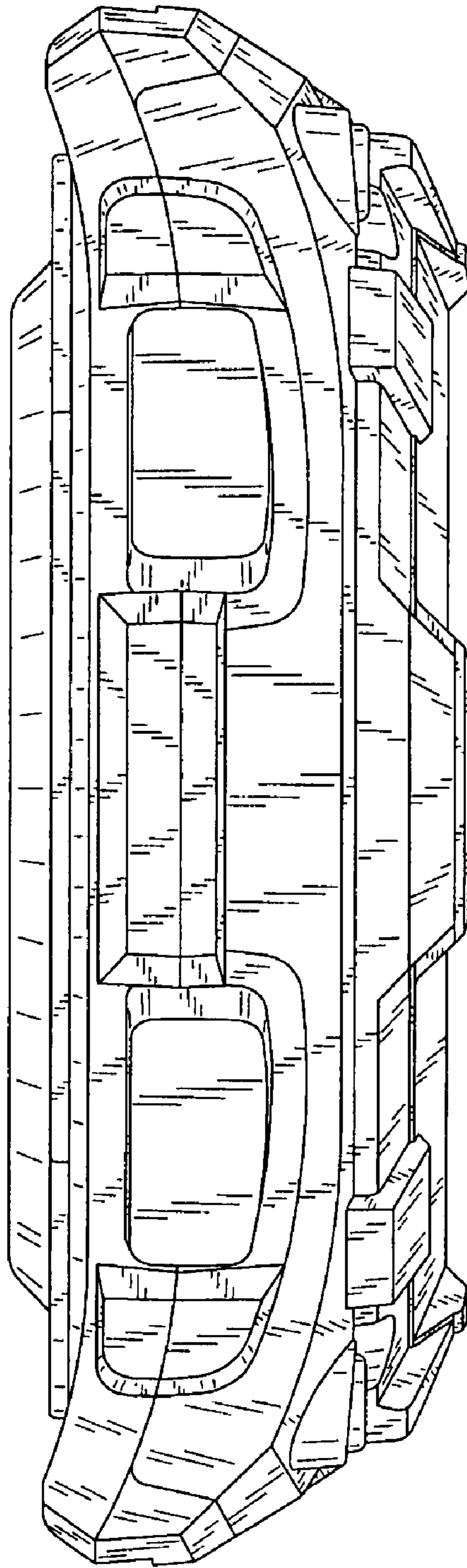


FIG. 4

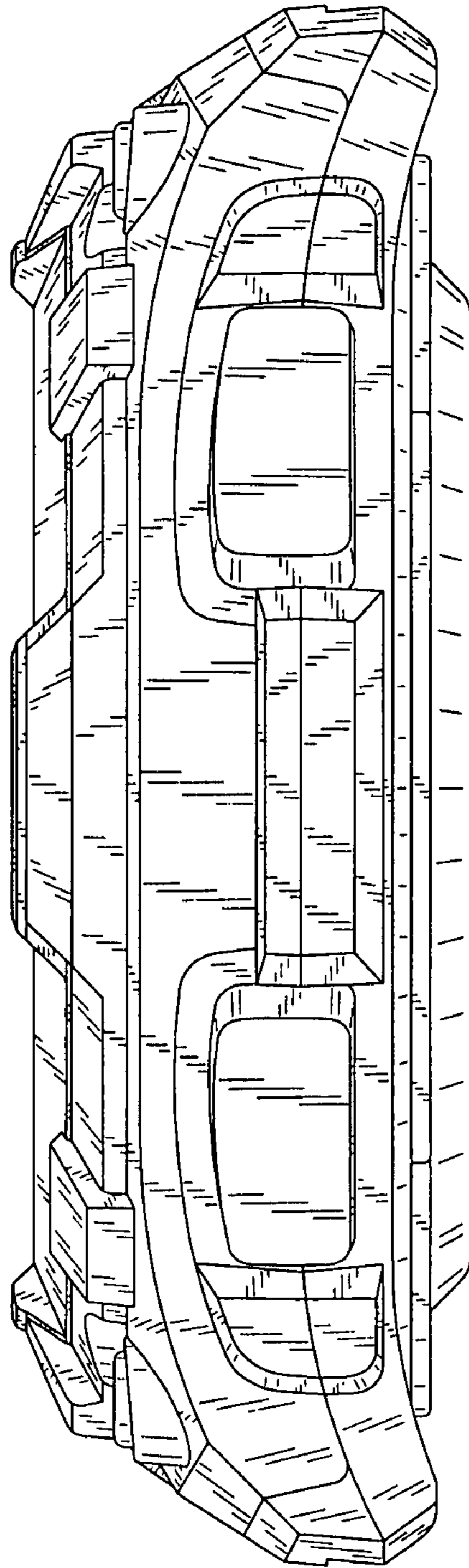


FIG. 5

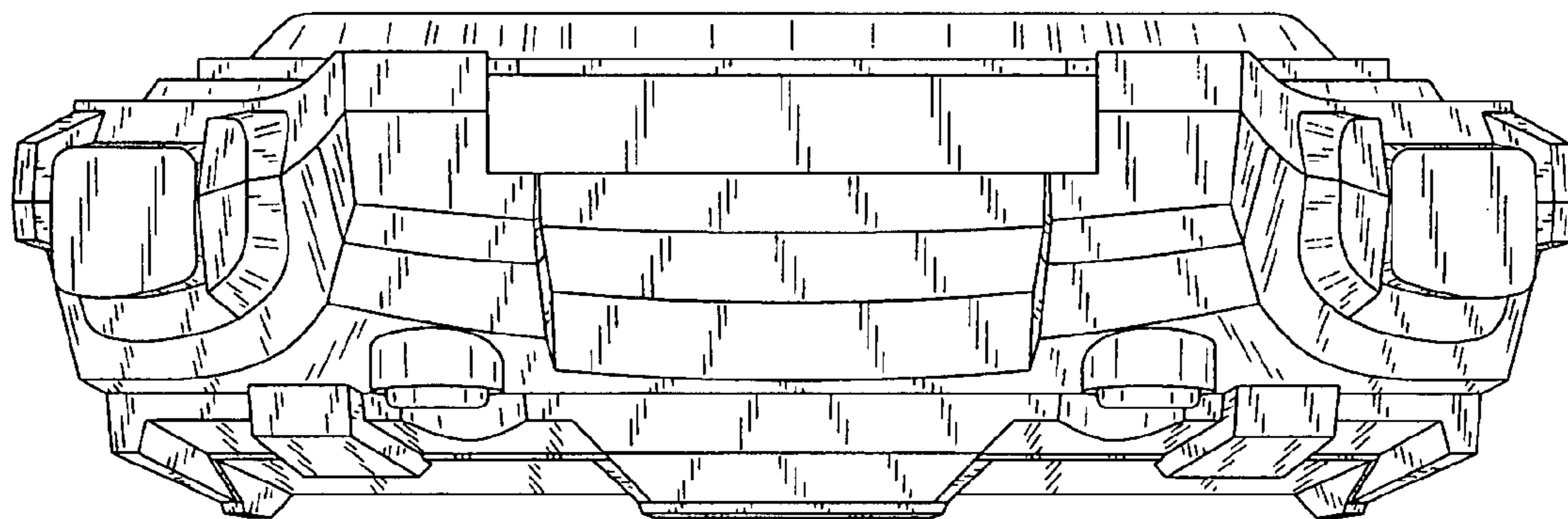


FIG. 6

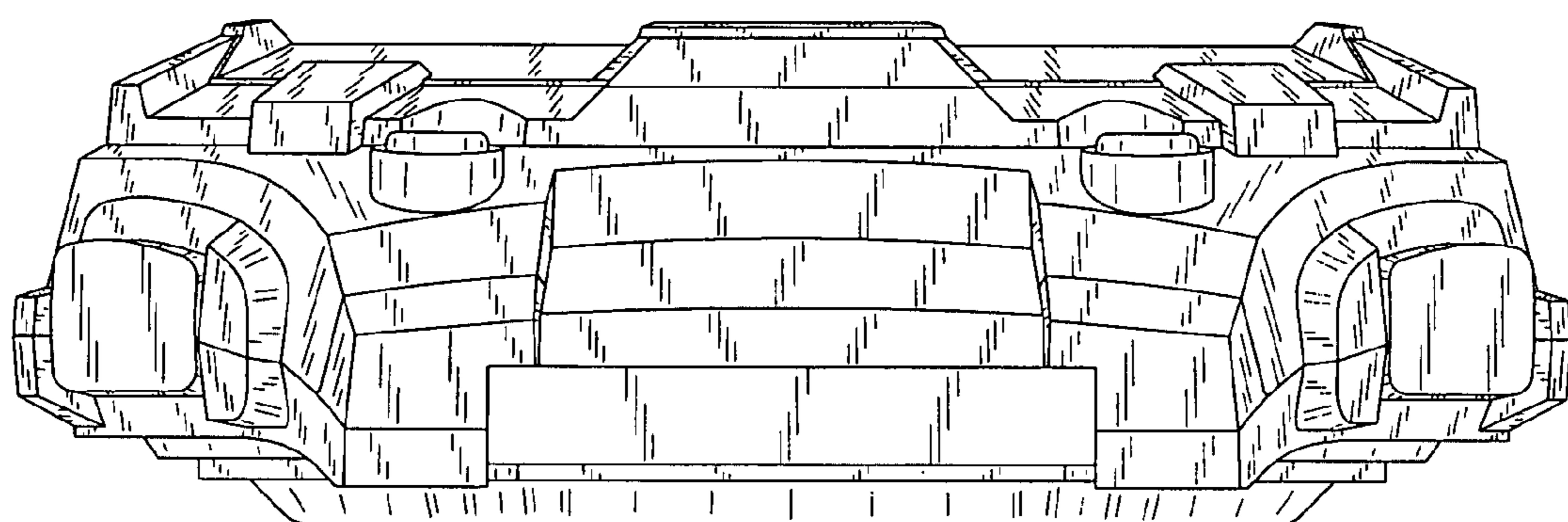


FIG. 7