



US00D569274S

(12) **United States Design Patent**
Cooper

(10) **Patent No.:** **US D569,274 S**

(45) **Date of Patent:** **** May 20, 2008**

(54) **WATCH CASING**

D445,039 S 7/2001 Finkay

(76) Inventor: **Martin R. Cooper**, 10179 Commerce
Park, Cincinnati, OH (US) 45246

(Continued)

(**) Term: **14 Years**

(21) Appl. No.: **29/264,400**

(22) Filed: **Aug. 9, 2006**

(51) **LOC (8) Cl.** **10-02**

(52) **U.S. Cl.** **D10/37**

(58) **Field of Classification Search** D3/203.2,
D3/207, 208, 211; D8/333, 356, 367; D10/1-29,
D10/31, 40, 68, 123-126; D11/3-25; D14/138,
D14/188, 192; D19/44; D21/789; 24/3.6,
24/3.7, 3.13, 576.1, 588.1; 70/456 R, 459;
224/164-168; 368/10, 21, 28-30, 223, 228-234,
368/239-242, 276-277, 281-285, 294-295,
368/308, 317, 319-321

See application file for complete search history.

(56) **References Cited**

U.S. PATENT DOCUMENTS

2,952,967 A	9/1960	Nussle
4,357,694 A	11/1982	Montuori
D270,714 S	9/1983	Sang
D273,847 S	5/1984	Yusa
4,879,702 A	11/1989	Gardner
D352,463 S	11/1994	Kubo
5,438,555 A	8/1995	Kim
D362,398 S	9/1995	Gebhardt
D370,406 S	6/1996	Tsai
5,540,367 A	7/1996	Kauker
D386,097 S	11/1997	Lindman et al.
D398,246 S	9/1998	Bruce et al.
D399,433 S	10/1998	Bruce et al.
5,828,541 A	10/1998	Wu
D402,104 S	12/1998	Kauker et al.
D413,525 S	9/1999	Pun
D432,027 S	10/2000	Fox et al.
D435,764 S	1/2001	Schuster
6,234,668 B1	5/2001	Cooper

OTHER PUBLICATIONS

Website printout: MilneJewelry.Com, Colibri CX Gear Sport Analog
Digital Alarm Flash Light Clip Timepiece, http://www.milnejewelry.com/Colibri_Watch/watch51.html (as printed on Jun. 4, 2003), pp. 1-2.

Website printout: NeimanMarcus.Com, CX Fisherman's Watch,
<http://www.neimanmarcus.com/stoe/catalog/prod.jhtml?cmCat=search&itemId=prod1475...> (as printed on Dec. 1, 2004), p. 1 of 1.

Primary Examiner—Caron D. Veynar

Assistant Examiner—Ricky Pham

(74) *Attorney, Agent, or Firm*—Ulmer & Berne LLP

(57) **CLAIM**

The ornamental design for a watch casing, as shown and described.

DESCRIPTION

FIG. 1 is a front elevational view of a watch casing showing my new design;

FIG. 2 is a rear elevational view of the watch casing of FIG. 1;

FIG. 3 is a left elevational view of the watch casing of FIG. 1;

FIG. 4 is a right elevational view of the watch casing of FIG. 1;

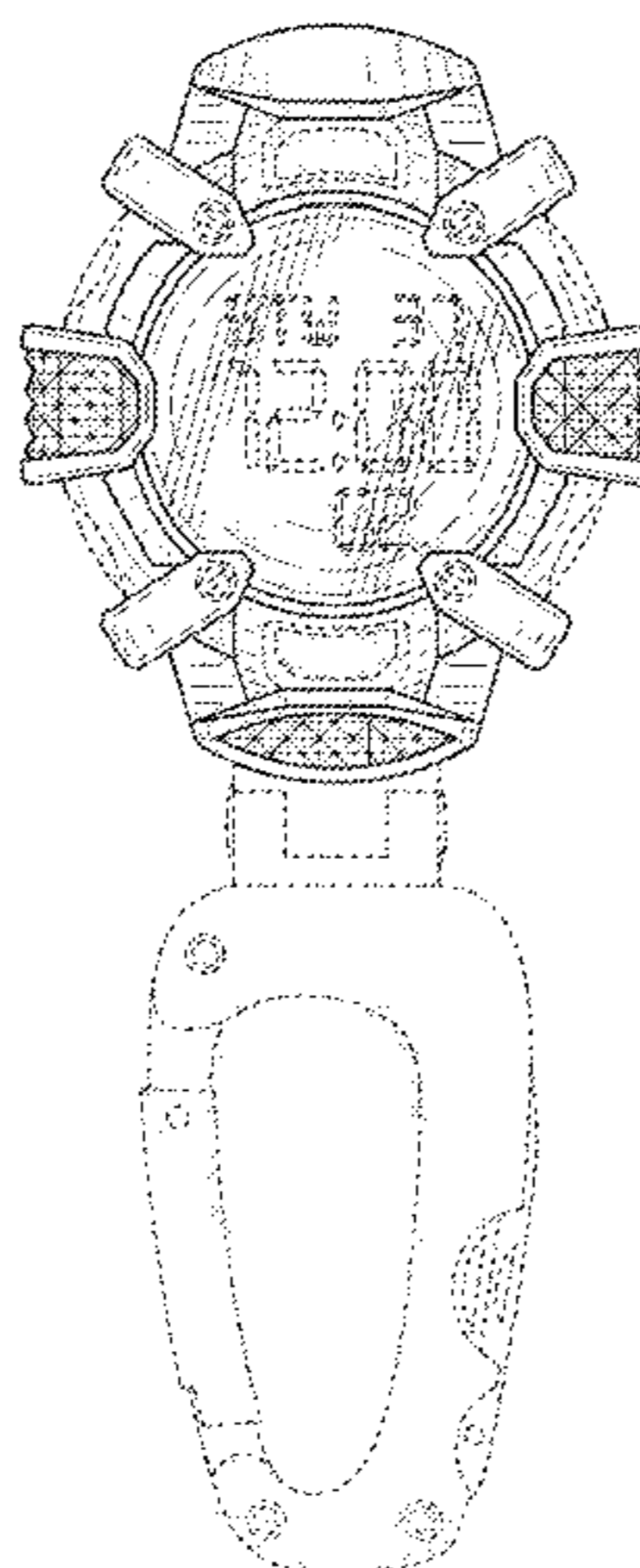
FIG. 5 is a top plan view of the watch casing of FIG. 1;

FIG. 6 is a bottom plan view of the watch casing of FIG. 1; and,

FIG. 7 is a front elevational view of the watch casing of FIG. 1 illustrating the latch and knives in an operable position;

The broken lines (and areas defined thereby) shown in the figures are for illustrative purposes only and form no part of the claimed design.

1 Claim, 4 Drawing Sheets



US D569,274 S

Page 2

U.S. PATENT DOCUMENTS

D454,054 S	3/2002	Kelleghan	D483,560 S *	12/2003	Thompson	D3/203.2
D455,355 S	4/2002	Chan	6,742,685 B2	6/2004	Williams		
D466,422 S	12/2002	Luquire	D493,726 S	8/2004	Cooper		
D467,819 S	12/2002	Tang	D497,151 S *	10/2004	Wang	D14/138
D469,023 S	1/2003	Mah	D505,337 S	5/2005	Cooper		
6,527,434 B1	3/2003	Fox et al.	D505,867 S *	6/2005	Cooper	D10/2
D474,980 S *	5/2003	Finkay	D535,897 S *	1/2007	Leung	D10/40
D476,304 S	6/2003	Fox et al.	2005/0111308 A1 *	5/2005	Hosey	368/317
D478,011 S	8/2003	Cooper					

* cited by examiner

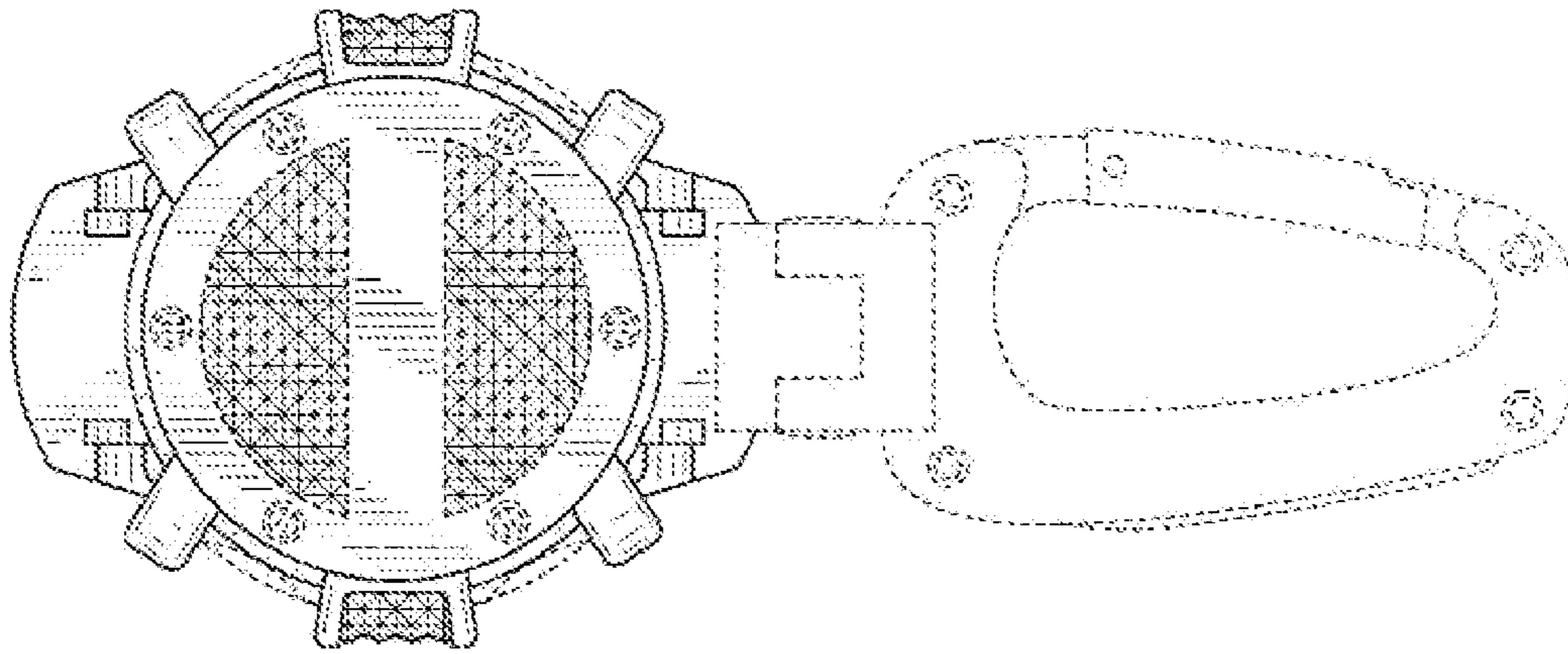


FIG. 2

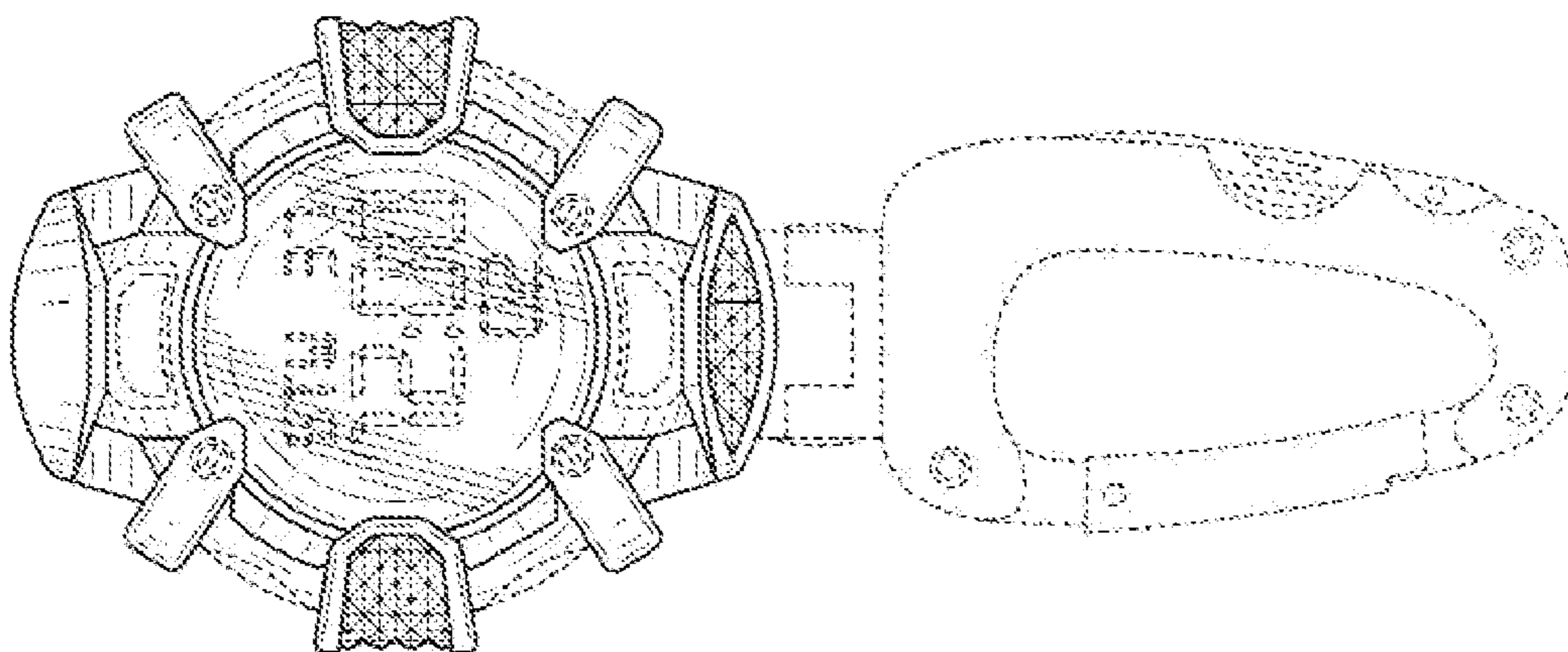


FIG. 1

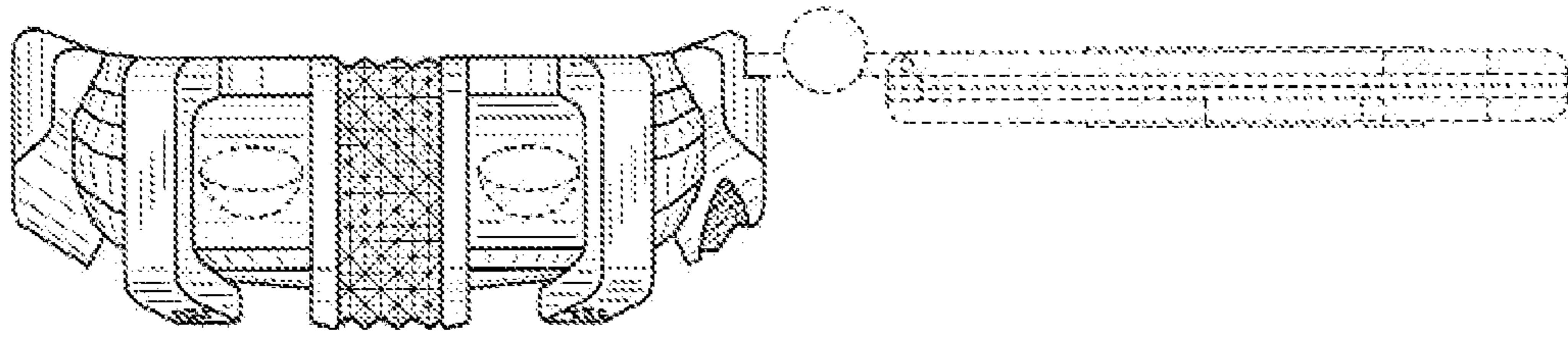


FIG. 4

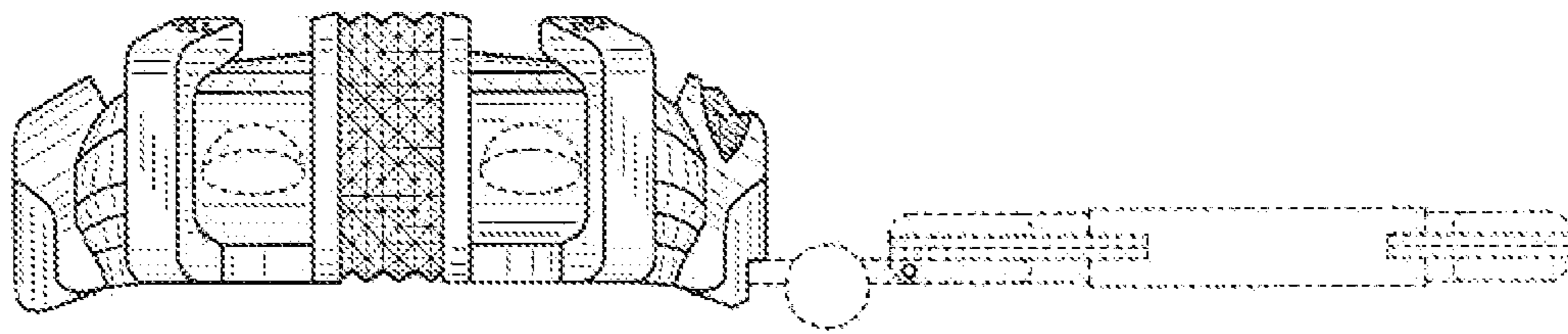


FIG. 3

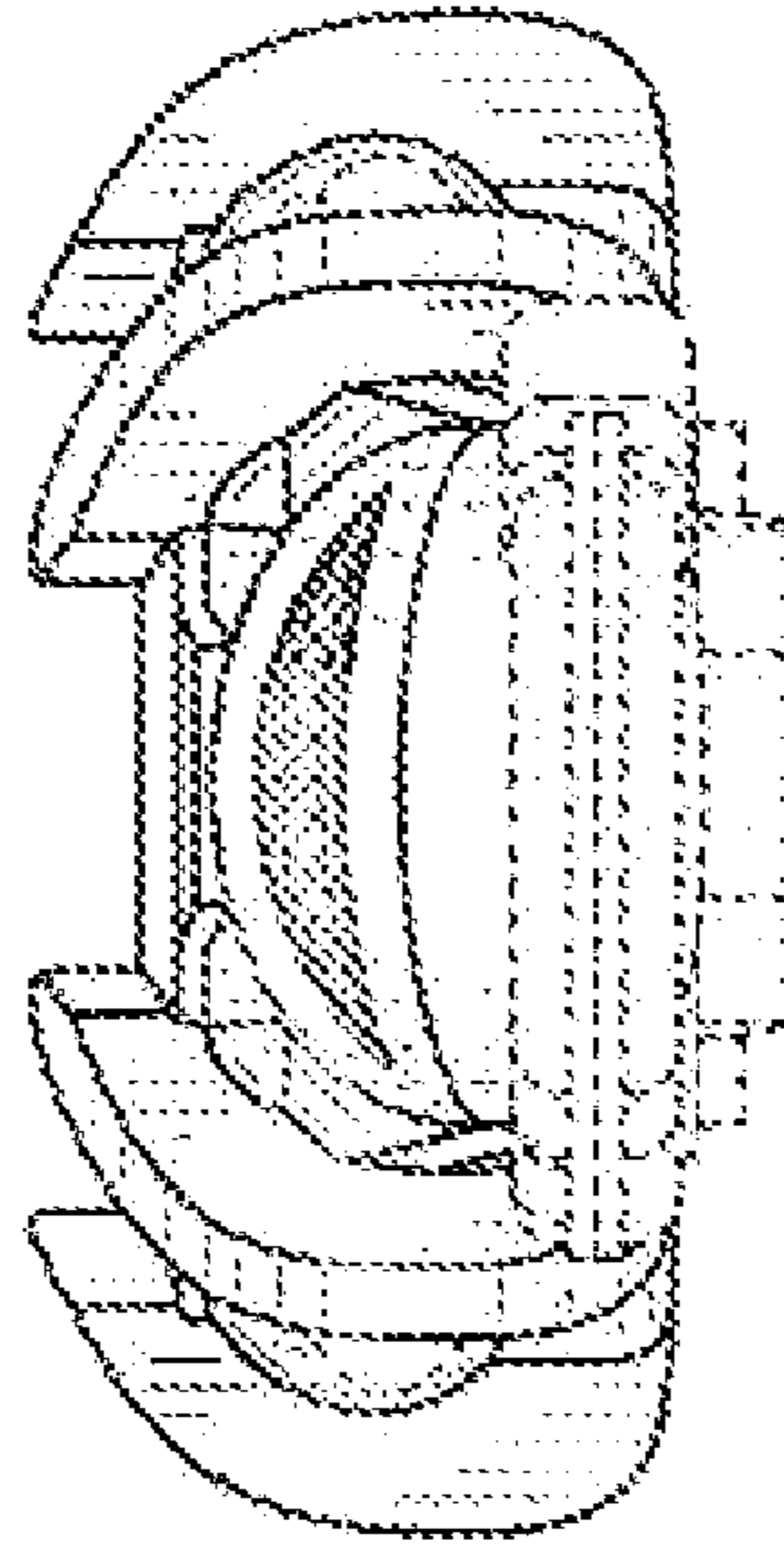


FIG. 6

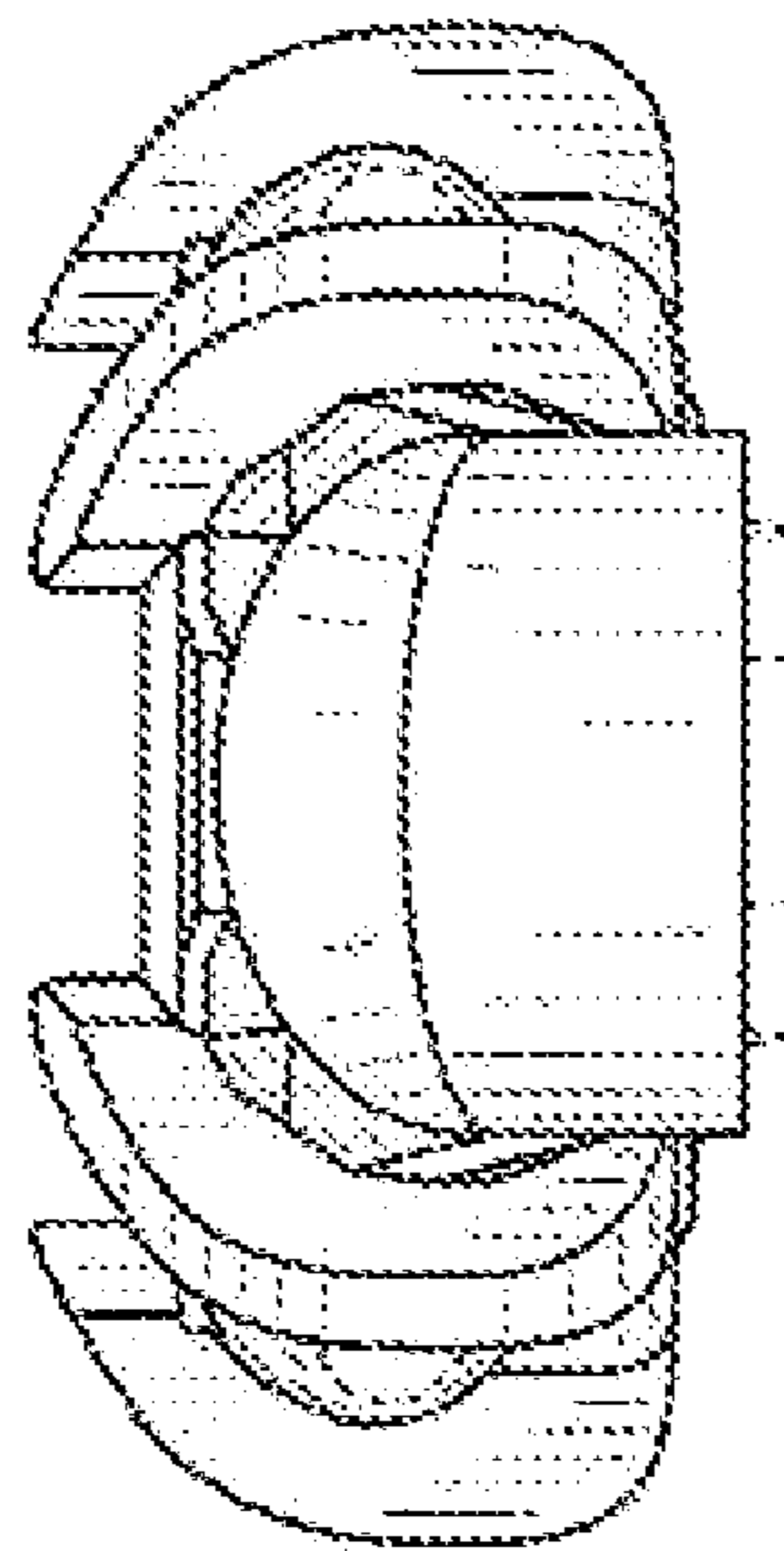


FIG. 5

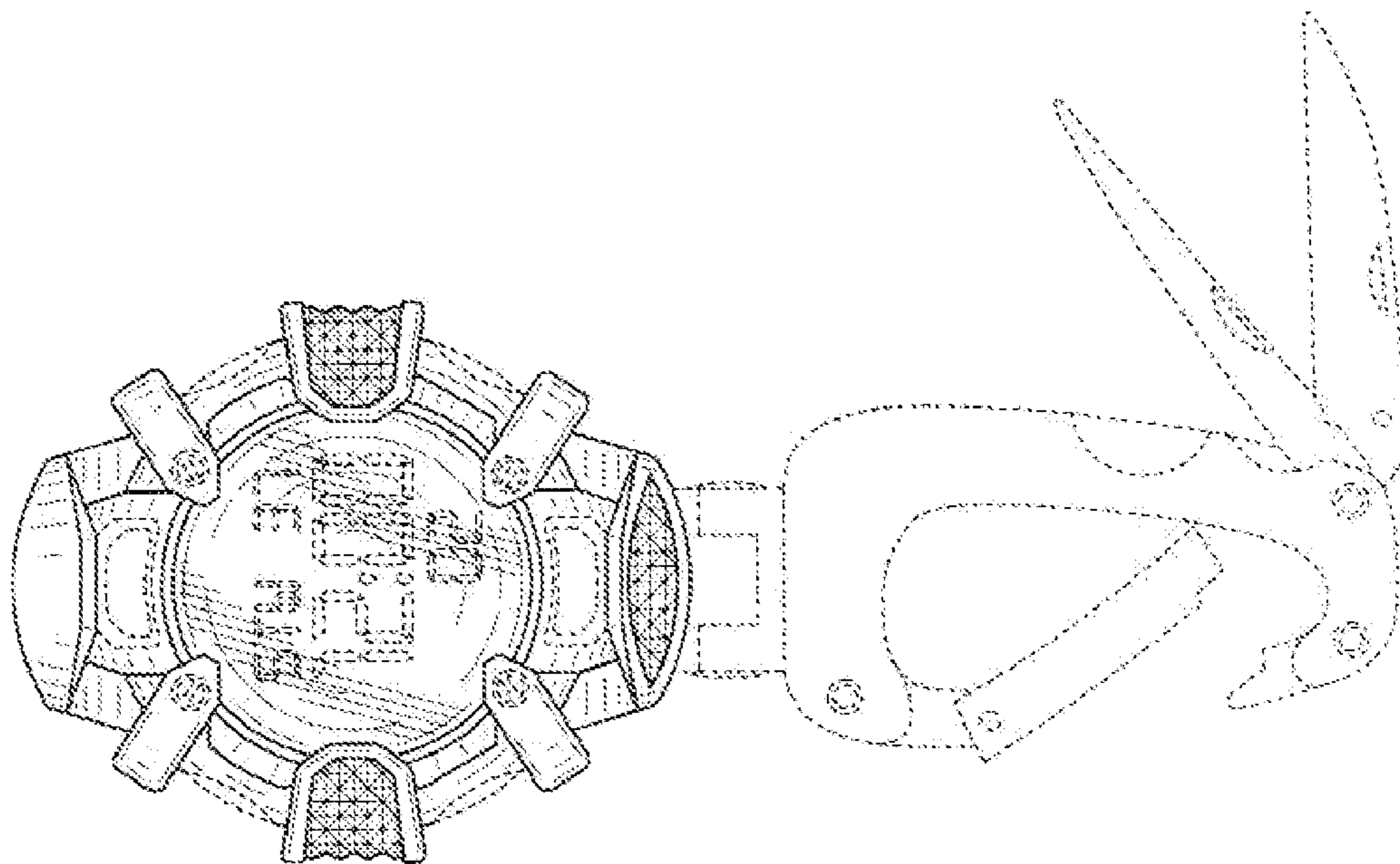


FIG. 7