



US00D569272S

(12) **United States Design Patent**
Duwe et al.

(10) **Patent No.:** **US D569,272 S**
(45) **Date of Patent:** **** May 20, 2008**

(54) **CLOCK WITH LED ILLUMINATION AT NIGHT**

(75) Inventors: **Brent Duwe**, Newnan, GA (US);
Kenneth Earl Ramsey, Fayetteville, GA (US); **George Michael Drake**, Newnan, GA (US)

(73) Assignee: **Cooper Technologies Company**, Houston, TX (US)

(**) Term: **14 Years**

(21) Appl. No.: **29/246,483**

(22) Filed: **Apr. 18, 2006**

(51) **LOC (8) Cl.** **10-01**

(52) **U.S. Cl.** **D10/16; D10/23**

(58) **Field of Classification Search** D10/1-29;
368/276-278, 285, 316, 317, 179, 28-30,
368/82-84, 239-242, 223, 226

See application file for complete search history.

(56) **References Cited**

U.S. PATENT DOCUMENTS

D1,966 S *	6/1864	Hoche	D10/28
D50,988 S *	7/1917	Hocke	D10/2
1,420,549 A *	6/1922	Horn	368/203
1,510,139 A *	9/1924	Dorsey	368/203
D67,274 S	5/1925	Demetropoulos		
D77,342 S	12/1928	Whitehead		
D77,343 S	12/1928	Whitehead		
D79,748 S *	10/1929	Ogden	D10/21
D99,999 S *	6/1936	Braude	D10/23
D117,903 S	12/1939	Kooluns		
D166,590 S *	4/1952	Bruce	D10/20
D354,008 S *	1/1995	Takashima	D10/28

D442,497 S *	5/2001	Ho	D10/16
6,290,387 B1 *	9/2001	Chen	368/317
6,942,380 B1 *	9/2005	Lin	368/276
D511,694 S *	11/2005	Bhavnani	D10/23
D514,957 S *	2/2006	Lin	D10/16

* cited by examiner

Primary Examiner—Lucy Lieberman

(74) *Attorney, Agent, or Firm*—King & Spalding LLP

(57) **CLAIM**

The ornamental design for a clock with LED illumination at night, as shown and described.

DESCRIPTION

FIG. 1 is a top, front and right side perspective view of a clock with LED illumination at night showing our new design;

FIG. 2 is a bottom, front and left side perspective view thereof;

FIG. 3 is a front elevation thereof;

FIG. 4 is a top plan view thereof;

FIG. 5 is bottom plan view thereof;

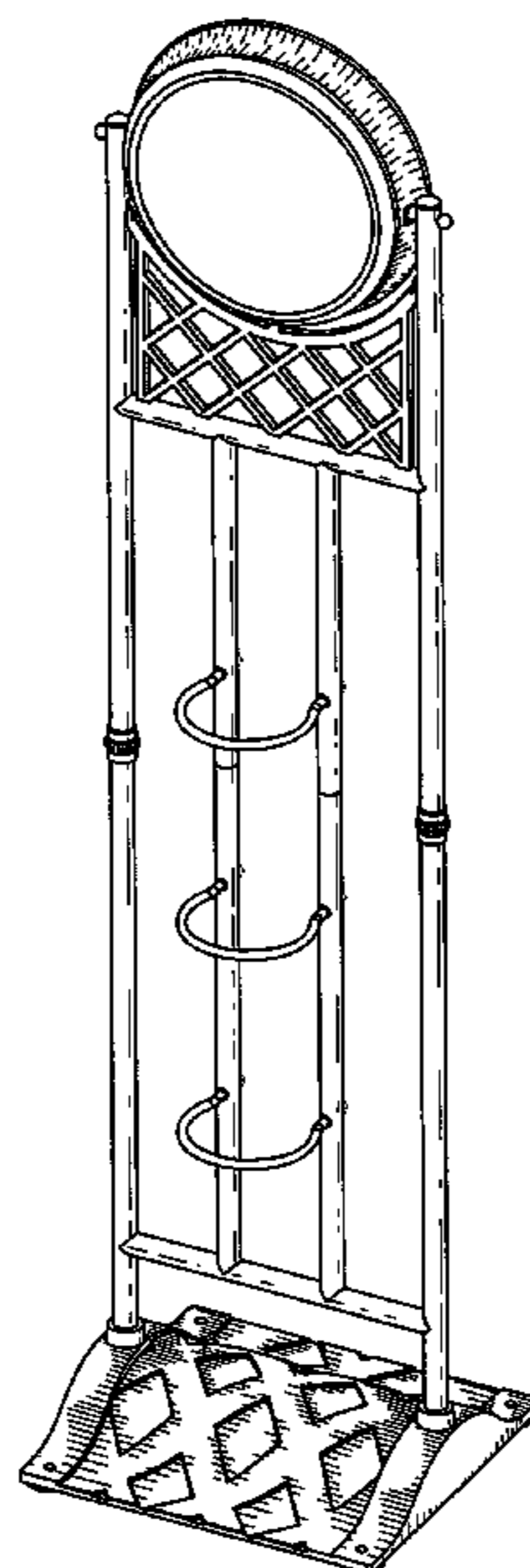
FIG. 6 is a right side elevation thereof; and,

FIG. 7 is a left side elevation thereof.

FIG. 4 in the drawings is shown drawn on a larger scale than FIGS 1, 2, 3, 6 and 7. FIG. 5 is shown drawn on a larger scale than FIG. 4.

The broken lines shown in FIGS. 1, 2, 4, 6 and 7 are for illustrative purposes only and form no part of the claimed design.

1 Claim, 7 Drawing Sheets



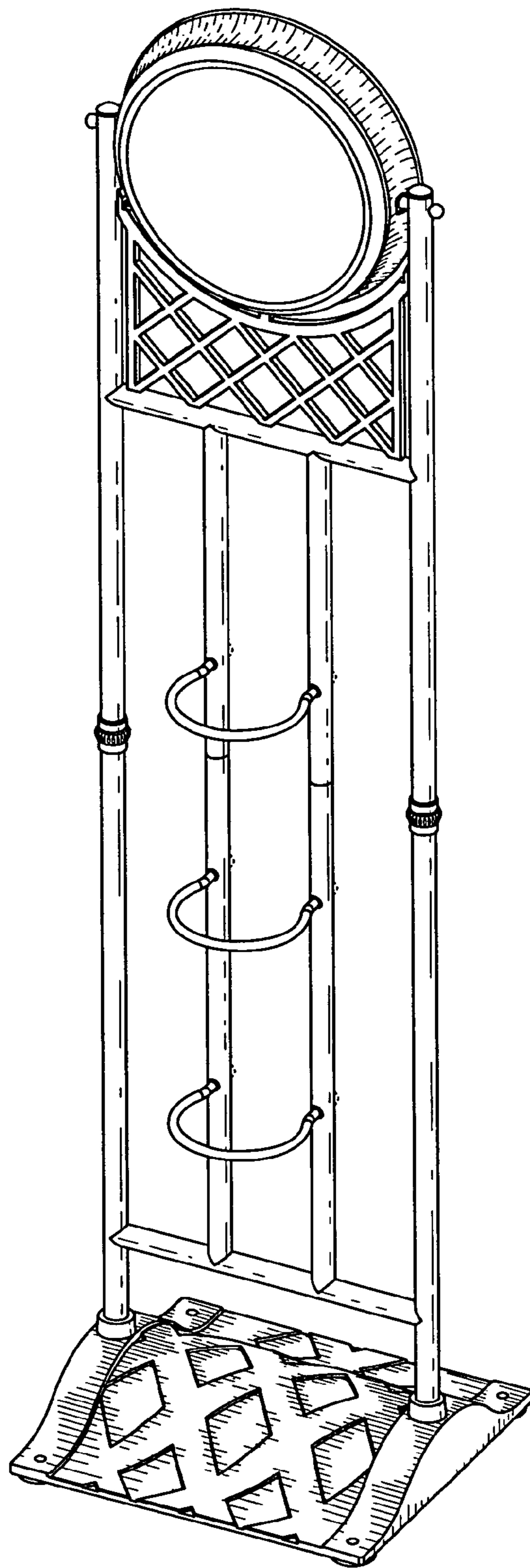


FIG. 1

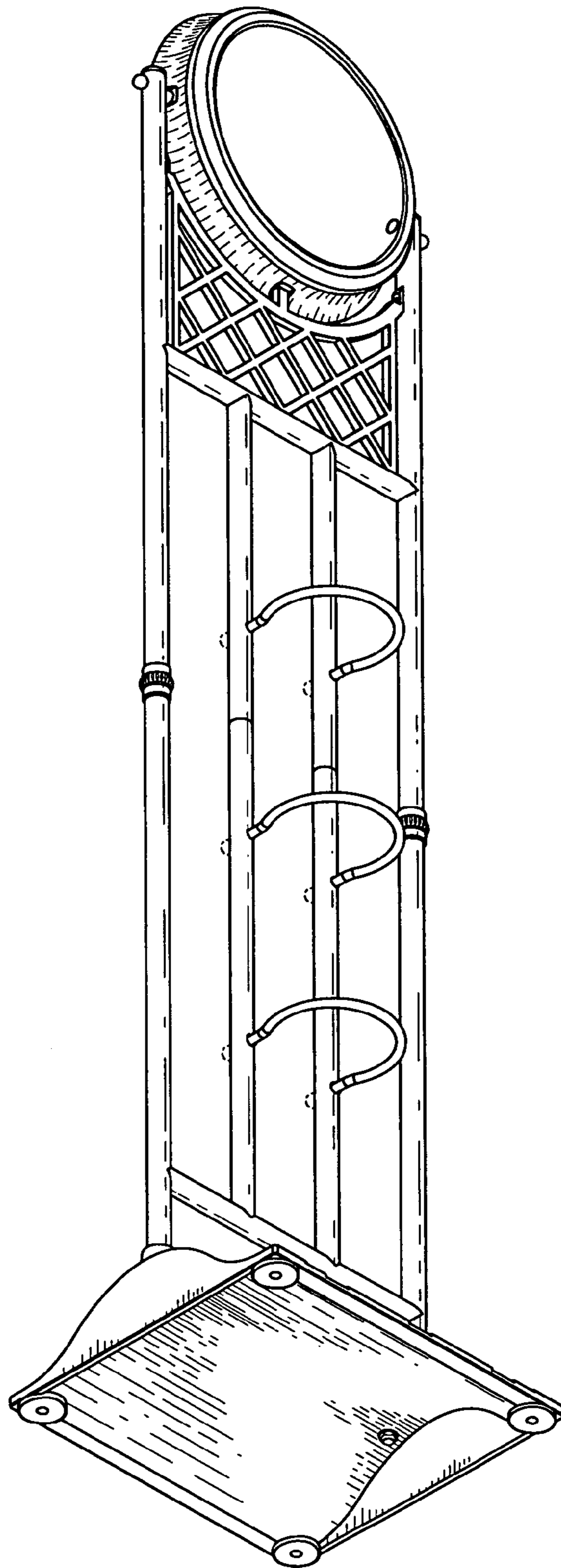


FIG. 2

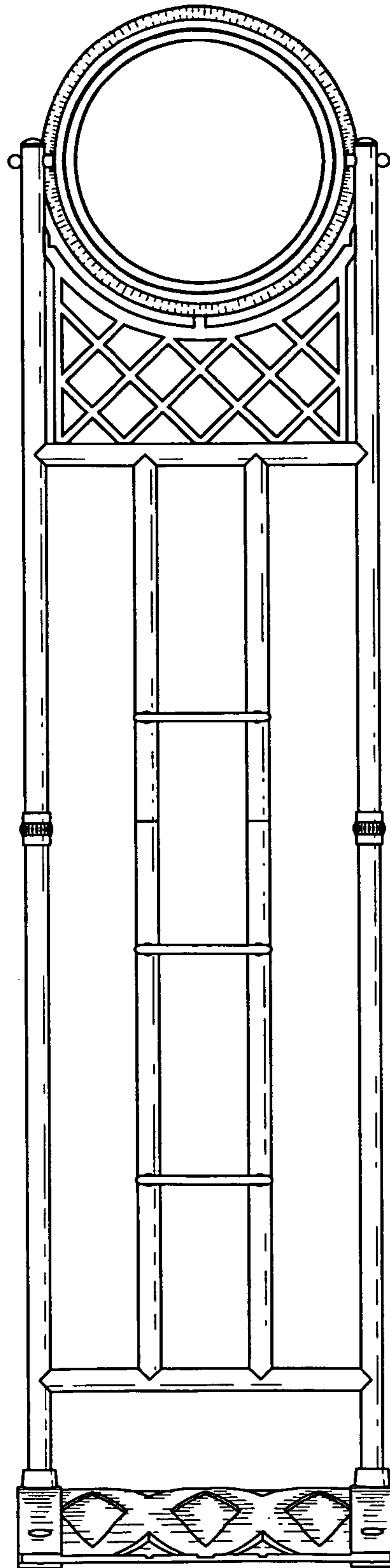


FIG. 3

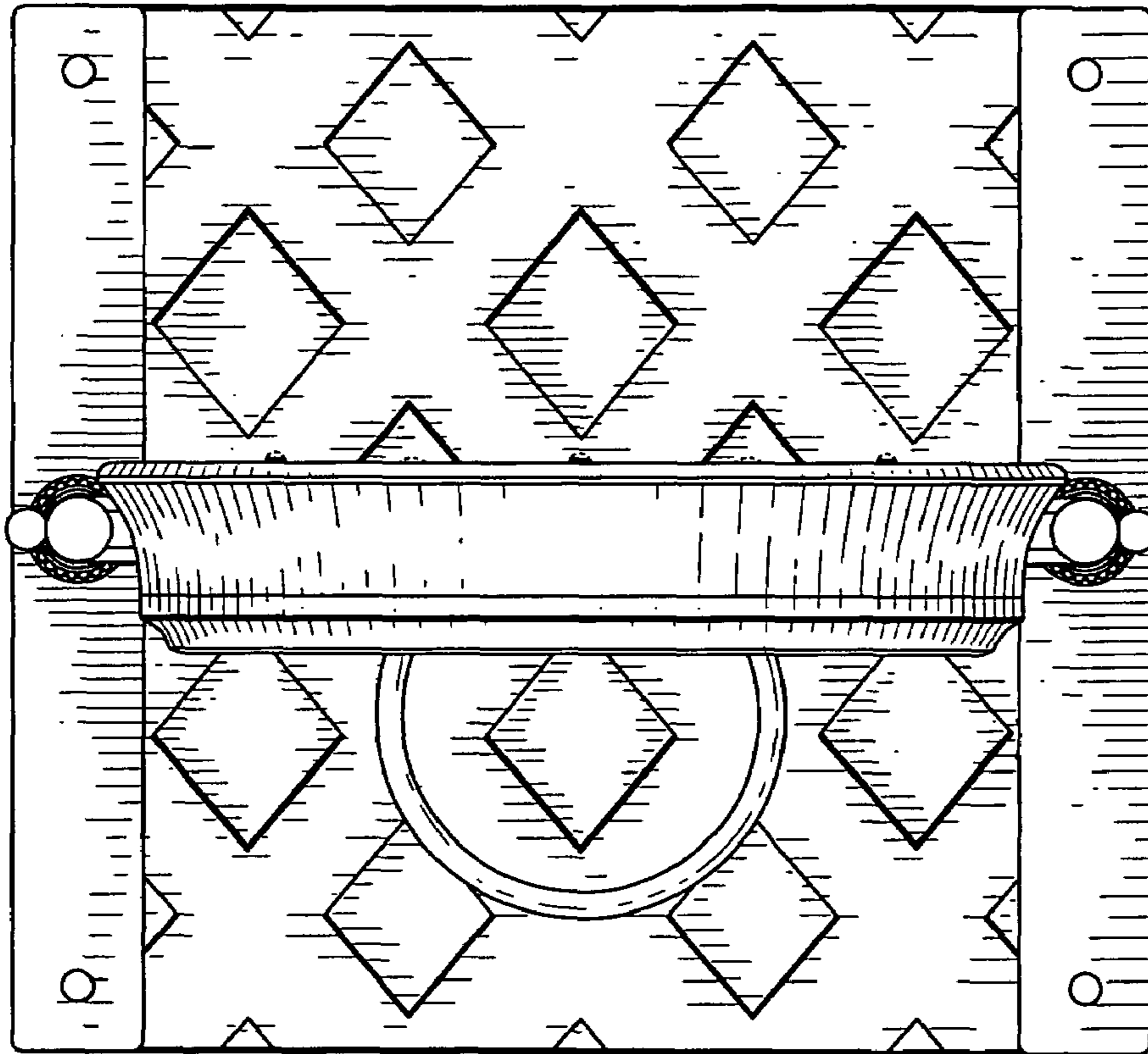


FIG. 4

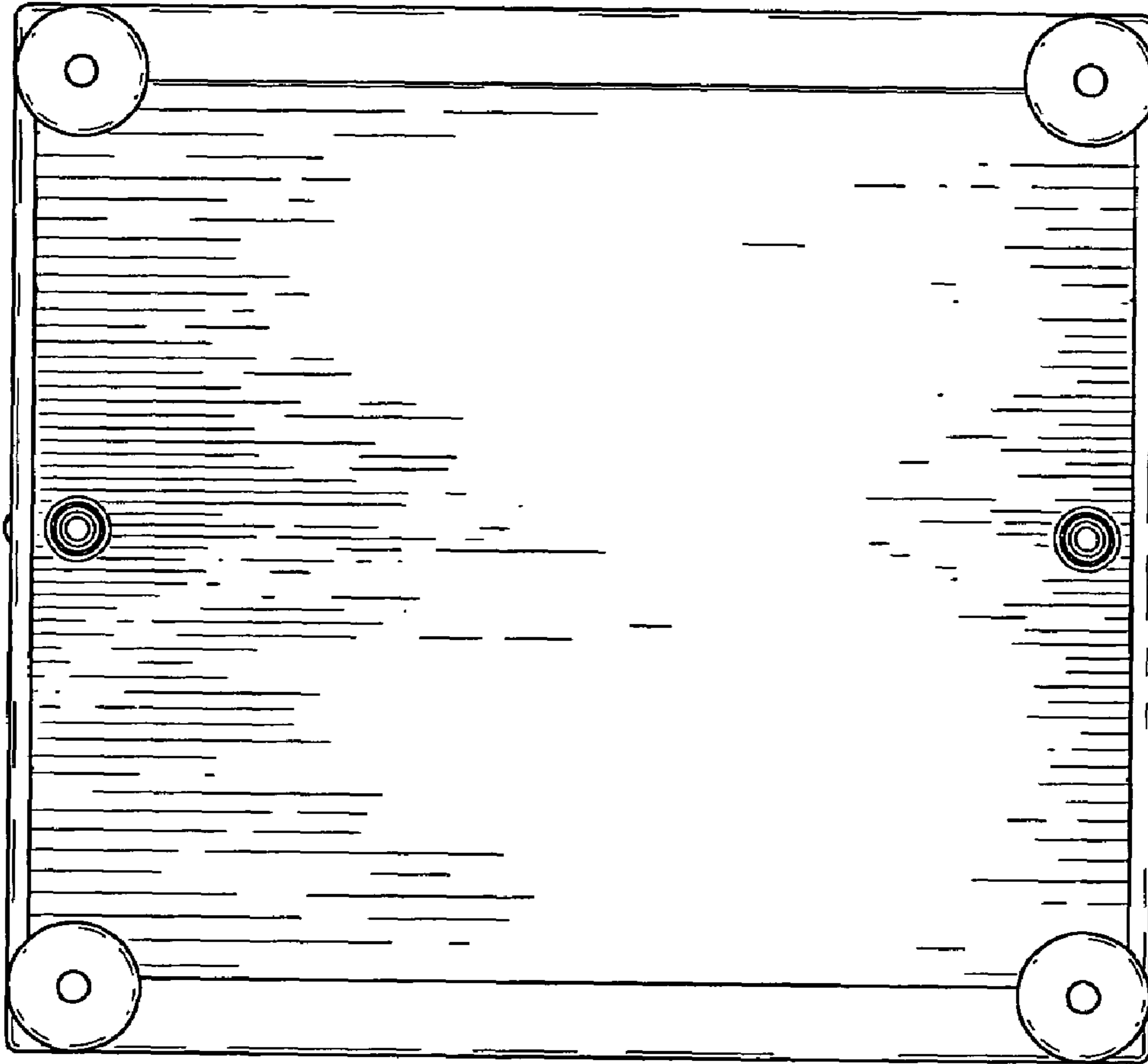


FIG. 5

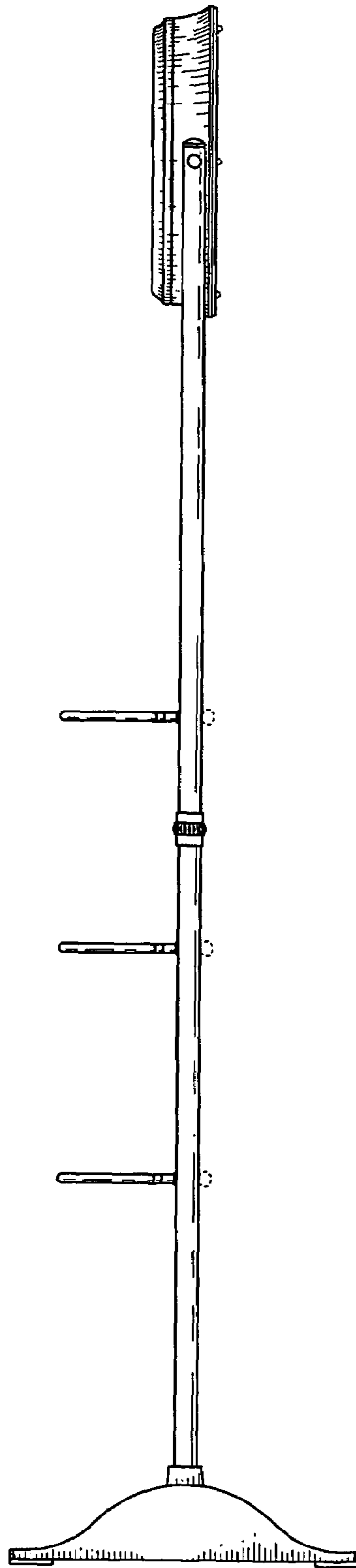


FIG. 6

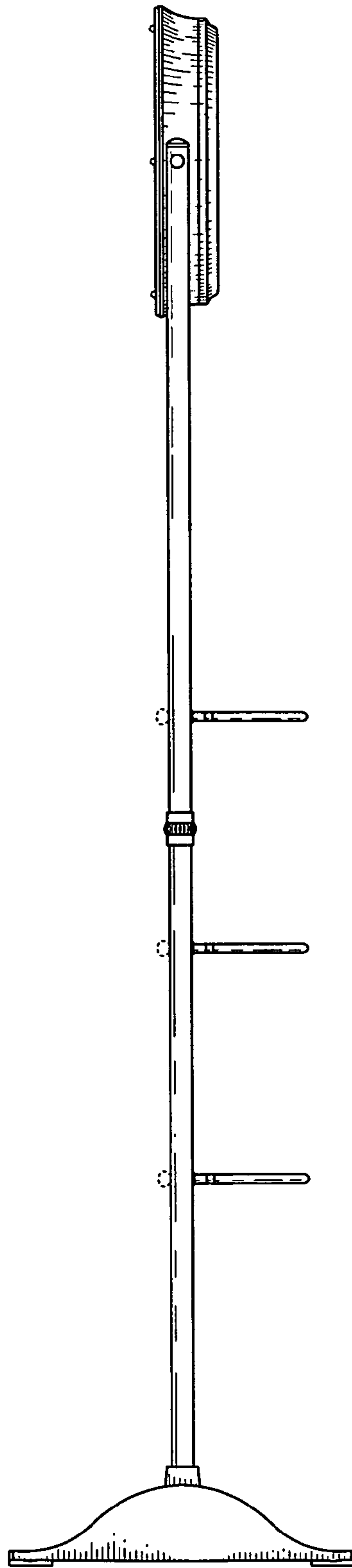


FIG. 7