

US00D569270S

(12) **United States Design Patent**
LaMasney

(10) **Patent No.:** **US D569,270 S**

(45) **Date of Patent:** **** May 20, 2008**

(54) **SANDWICH KIT TRIFOLD**

(75) Inventor: **Robert G. LaMasney**, Cross Plains,
WI (US)

(73) Assignee: **Plastic Ingenuity, Inc.**, Cross Plains,
WI (US)

(**) Term: **14 Years**

(21) Appl. No.: **29/278,102**

(22) Filed: **Mar. 19, 2007**

(51) **LOC (8) Cl.** **09-03**

(52) **U.S. Cl.** **D9/761**

(58) **Field of Classification Search** D9/414,
D9/417, 420, 421, 424-428, 430-434, 49,
D9/737, 478, 479, 756, 759, 760, 761; D7/549,
D7/553.2, 590, 601, 602, 609, 610, 612, 614,
D7/629; D3/201, 203.1, 203.2, 203.3; 206/45.28,
206/232, 278, 457, 509, 511, 556, 558, 631,
206/633, 820; 220/4.23, 4.27, 23.4, 23.6,
220/500, 556, 666; 229/120.02, 120.011,
229/123.1, 125.17, 125.35, 131.1, 160, 162.1,
229/162.3, 406, 906; 426/114, 115, 119,
426/120, 393, 394

See application file for complete search history.

(56) **References Cited**

U.S. PATENT DOCUMENTS

D375,259 S * 11/1996 Whitehead D9/761
D451,018 S * 11/2001 Chen et al. D9/428

D489,579 S * 5/2004 Wright D7/629
D534,797 S * 1/2007 El-Afandi D9/434
D545,189 S * 6/2007 El-Afandi D9/434
D546,177 S * 7/2007 El-Afandi D9/434
D546,679 S * 7/2007 El-Afandi D9/434

* cited by examiner

Primary Examiner—Stella M. Reid

Assistant Examiner—Shanda C Hill

(74) *Attorney, Agent, or Firm*—Rick L. Abegglen

(57) **CLAIM**

I claim the ornamental design for a sandwich kit trifold, as shown and described.

DESCRIPTION

FIG. 1 is a top right perspective view of a sandwich kit trifold showing my new design;

FIG. 2 is a top left perspective view thereof;

FIG. 3 is a bottom right perspective view thereof;

FIG. 4 is a bottom left perspective view thereof;

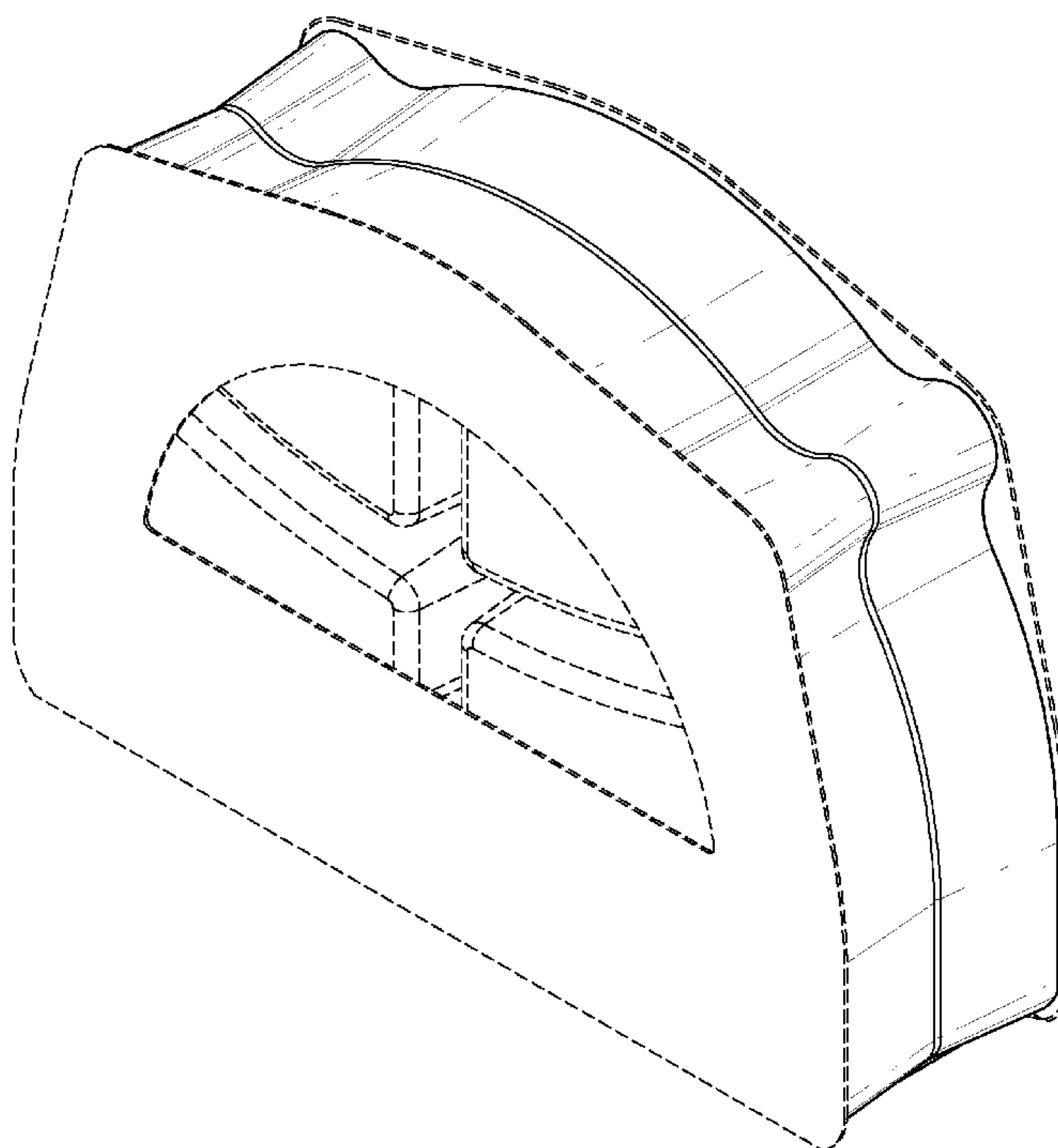
FIG. 5 is a top view thereof;

FIG. 6 is a side view thereof; and,

FIG. 7 is a bottom view thereof.

The broken lines shown in the drawing disclosure are for illustrative purposes only and form no part of the claimed design.

1 Claim, 6 Drawing Sheets



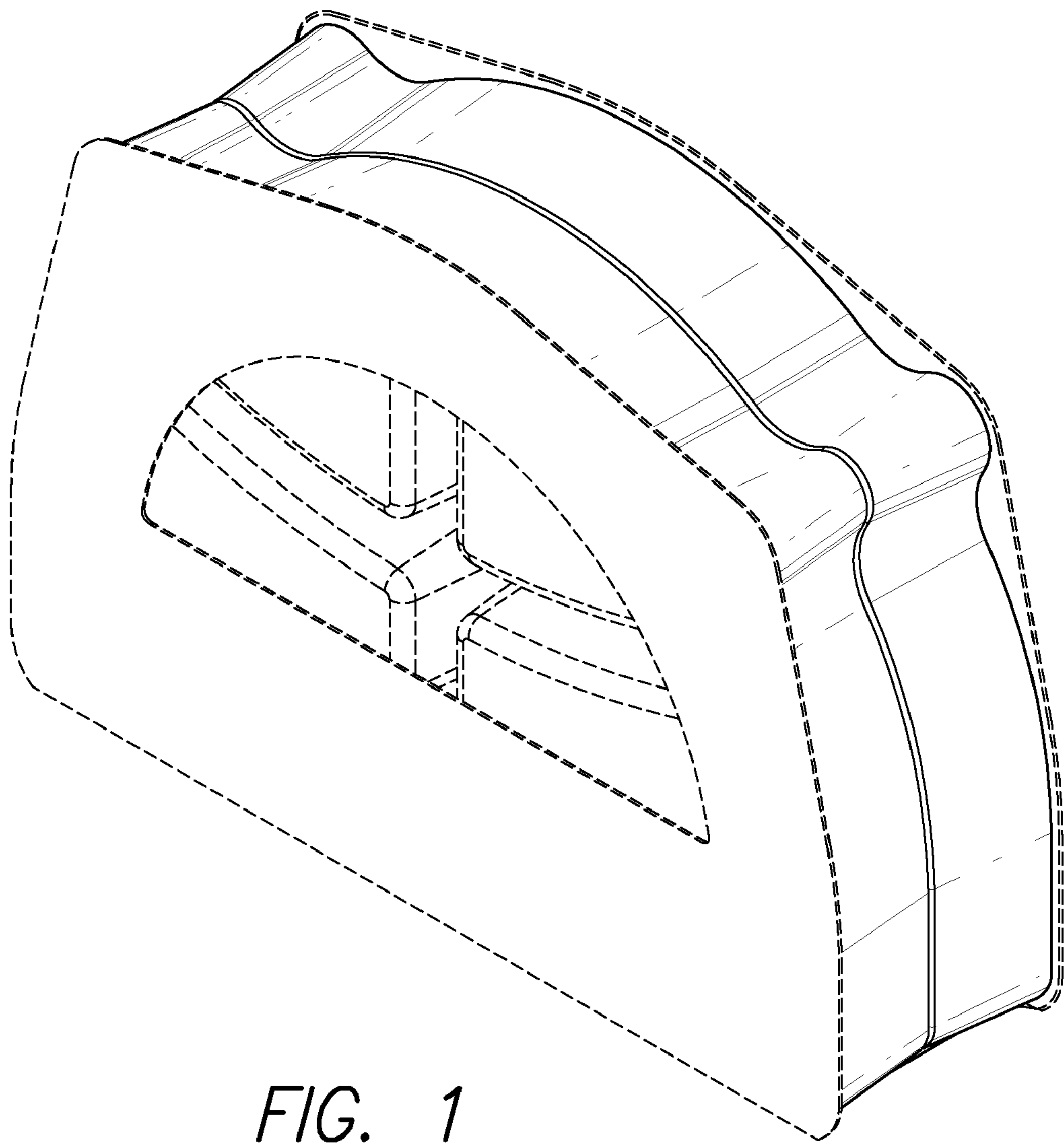


FIG. 1

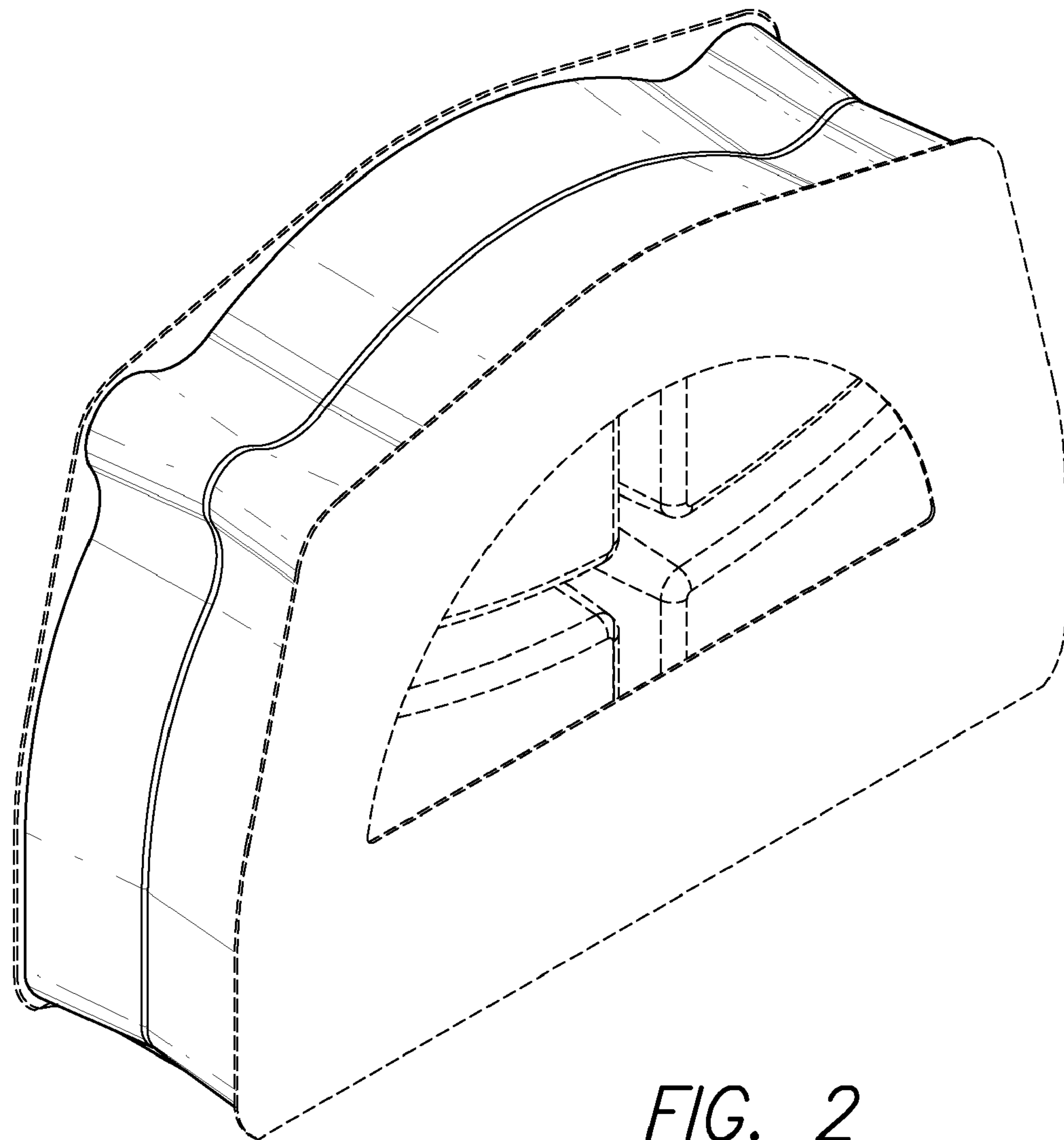


FIG. 2

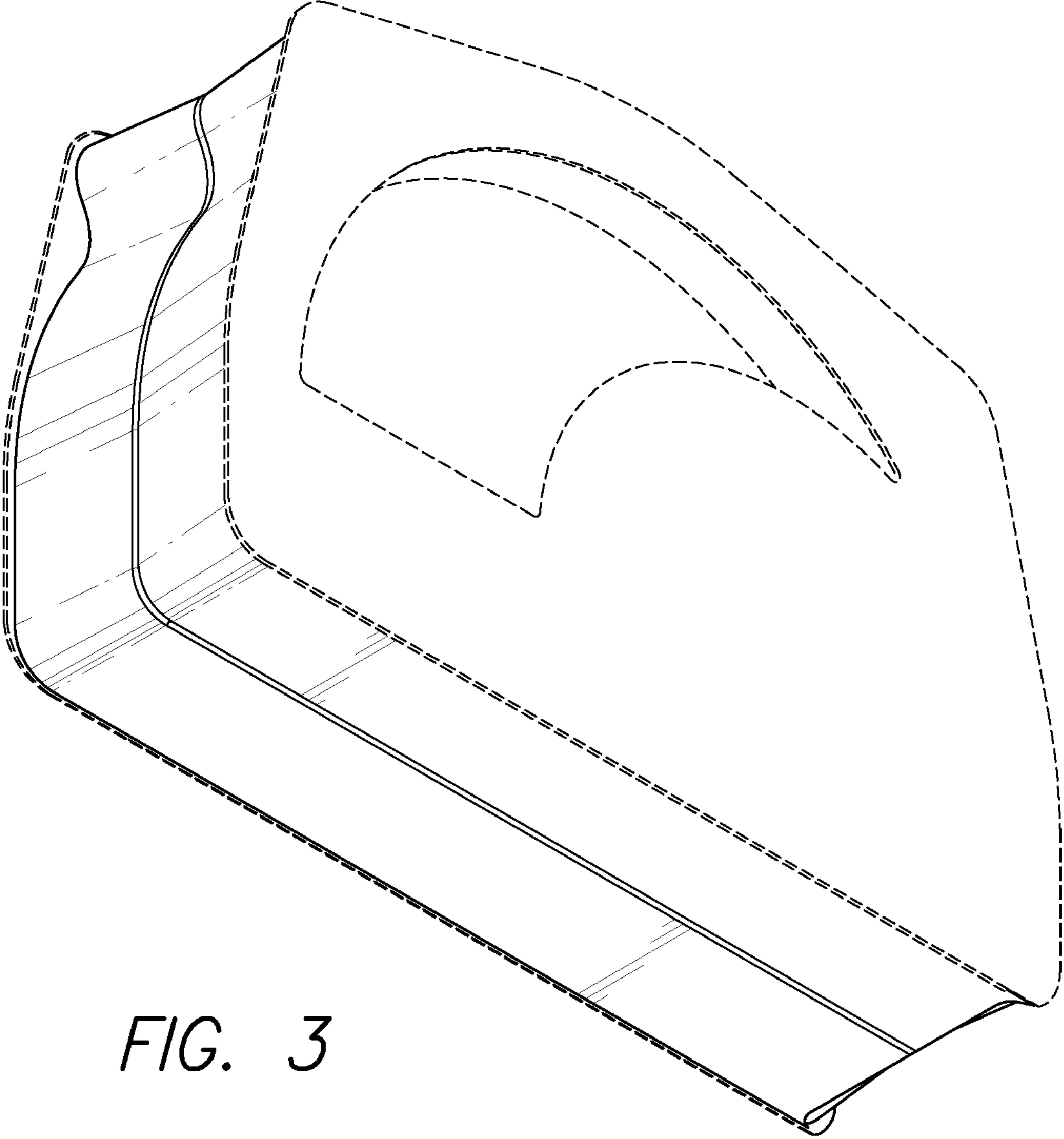


FIG. 3

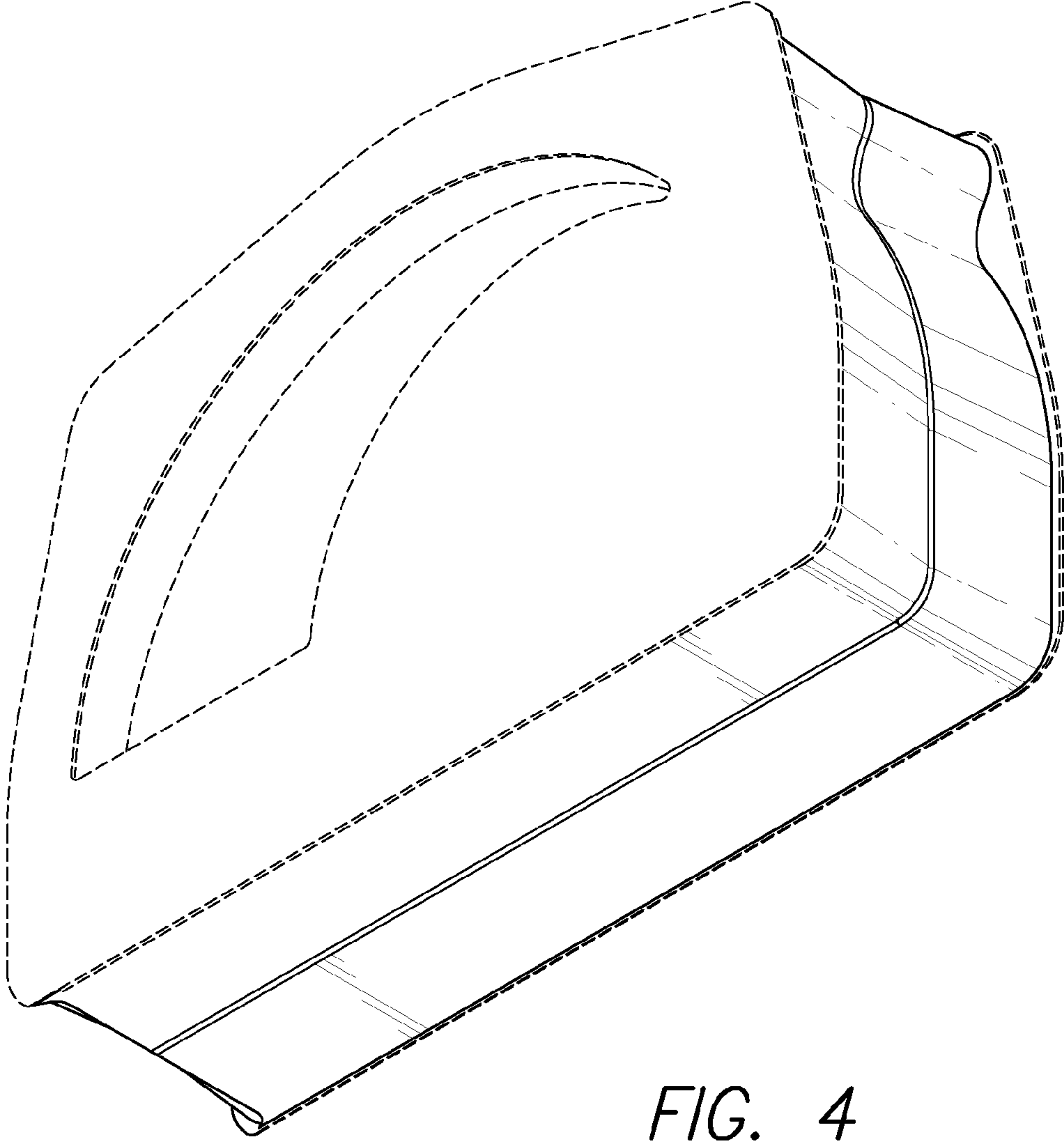


FIG. 4

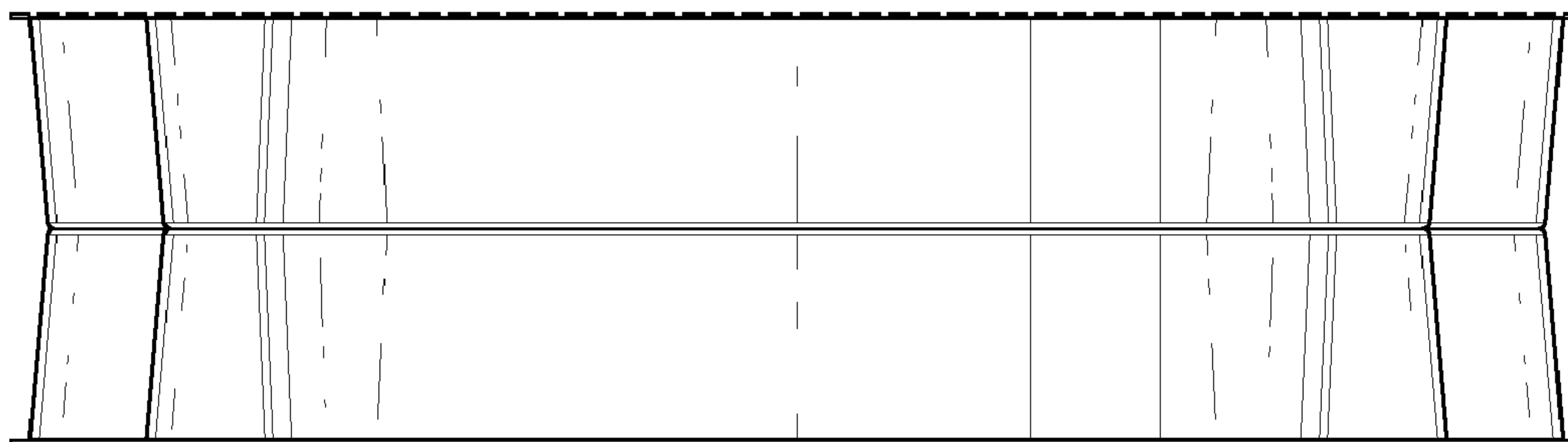


FIG. 5

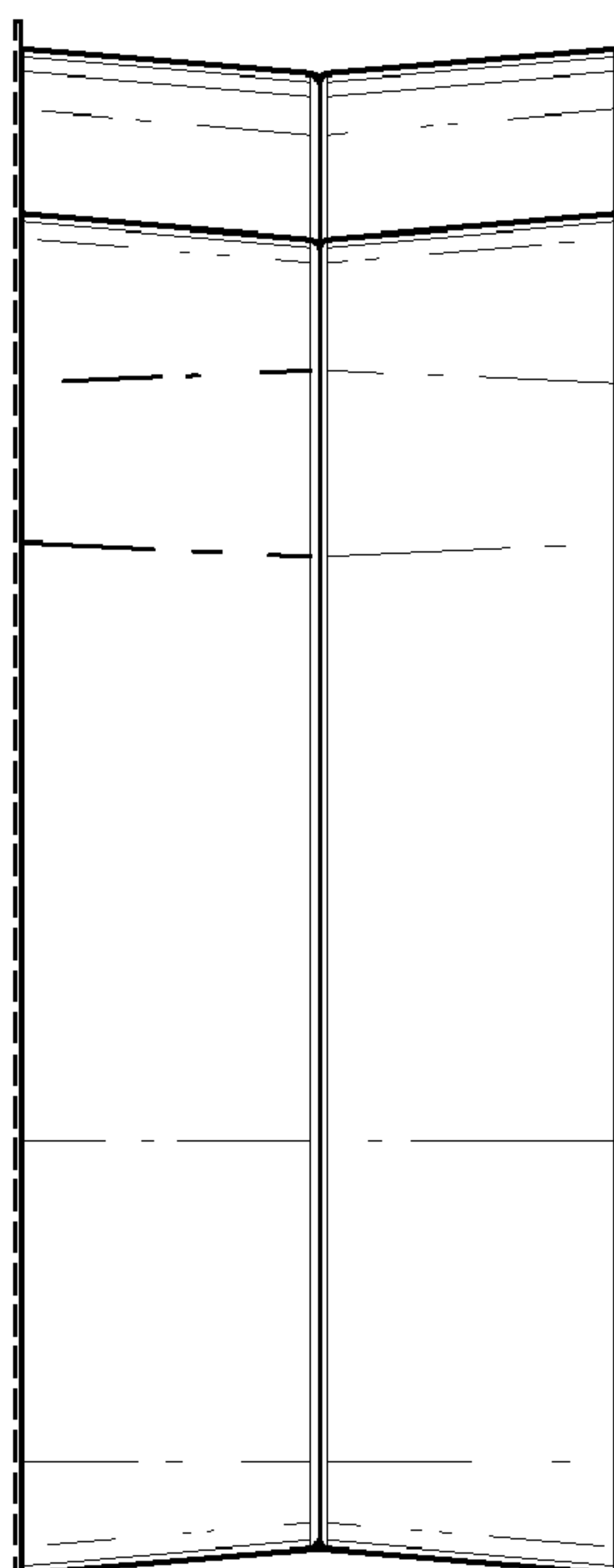


FIG. 6

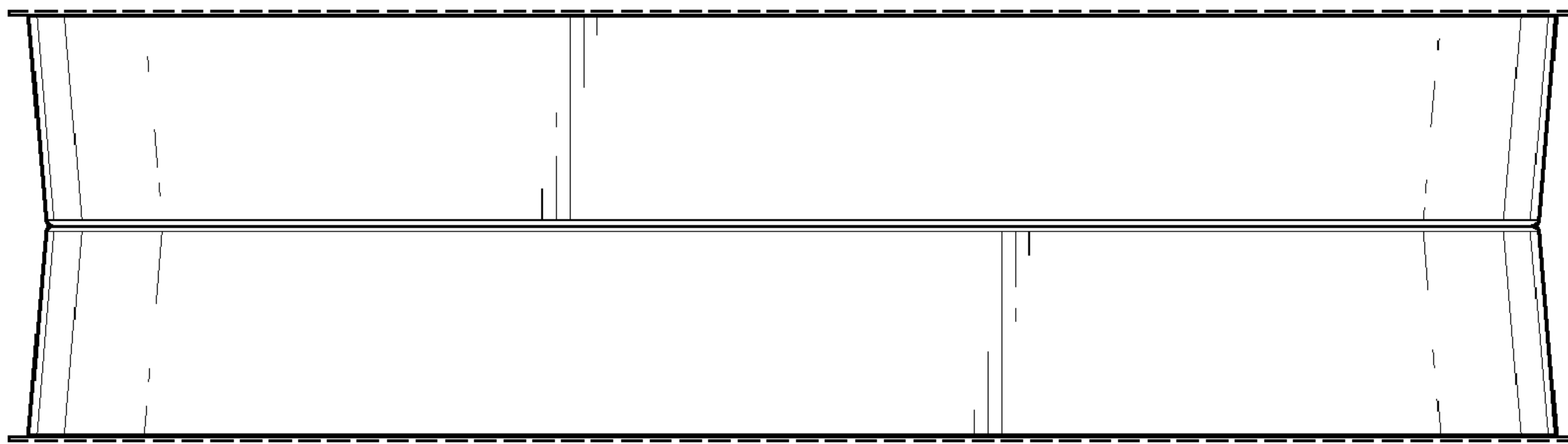


FIG. 7