

US00D569254S

(12) **United States Design Patent**
Moretti

(10) **Patent No.:** **US D569,254 S**

(45) **Date of Patent:** **** May 20, 2008**

(54) **CONTAINER**

(75) Inventor: **Matteo Moretti**, Crema (IT)

(73) Assignee: **Lumson S.p.A.**, Capergnanica
(Cremora) (IT)

(**) Term: **14 Years**

(21) Appl. No.: **29/249,405**

(22) Filed: **Oct. 5, 2006**

(30) **Foreign Application Priority Data**

Apr. 5, 2006 (EM) 000508445

(51) **LOC (8) Cl.** **09-01**

(52) **U.S. Cl.** **D9/504; D9/454**

(58) **Field of Classification Search** D9/516,
D9/529, 560, 564-565, 571-575, 682, 686-687,
D9/690, 691-694; D28/76, 78, 91, 91.1;
215/379-383; 220/660-662, 669, 675
See application file for complete search history.

(56) **References Cited**

U.S. PATENT DOCUMENTS

- D196,413 S * 9/1963 McCormick D28/89
- D268,097 S * 3/1983 Thompson D9/529
- D367,230 S * 2/1996 Paglina D9/529
- D389,279 S * 1/1998 Ryder D28/89
- D403,123 S * 12/1998 Sgariboldi D28/76
- D406,054 S * 2/1999 Wagner D9/725
- D413,793 S * 9/1999 Favre D9/692
- D426,030 S * 5/2000 Heeter et al. D28/85

- D434,221 S * 11/2000 Chao D3/265
- D486,393 S * 2/2004 Chuang D9/503
- D493,369 S * 7/2004 Murphy D9/529
- D518,382 S * 4/2006 McGuinness D9/504

* cited by examiner

Primary Examiner—Ian Simmons

Assistant Examiner—Dana L Sipos

(74) *Attorney, Agent, or Firm*—Wolf, Block, Schorr &
Solis-Cohen LLP

(57) **CLAIM**

I claim the ornamental design for a container, as shown and described.

DESCRIPTION

FIG. 1 is a top, front, right side perspective view of a container showing my new design;

FIG. 2 is a top plan view thereof;

FIG. 3 is a front elevation view thereof;

FIG. 4 is a left side elevation view thereof;

FIG. 5 is a bottom plan view thereof;

FIG. 6 is a top, front, right side perspective view of a second embodiment of a container showing my new design;

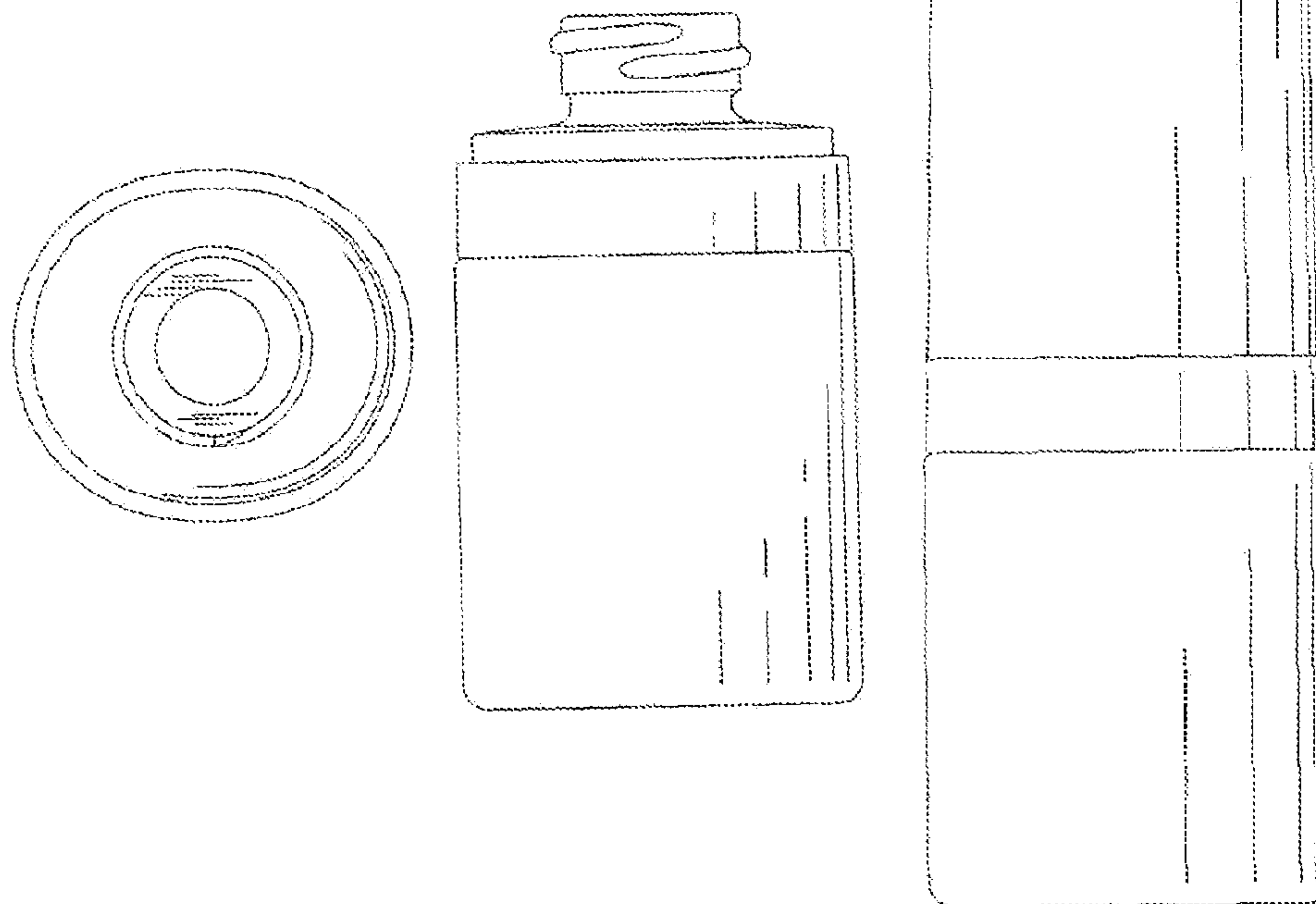
FIG. 7 is a top plan view thereof;

FIG. 8 is a front elevation view thereof;

FIG. 9 is a left side elevation view thereof; and,

FIG. 10 is a bottom plan view thereof.

1 Claim, 2 Drawing Sheets



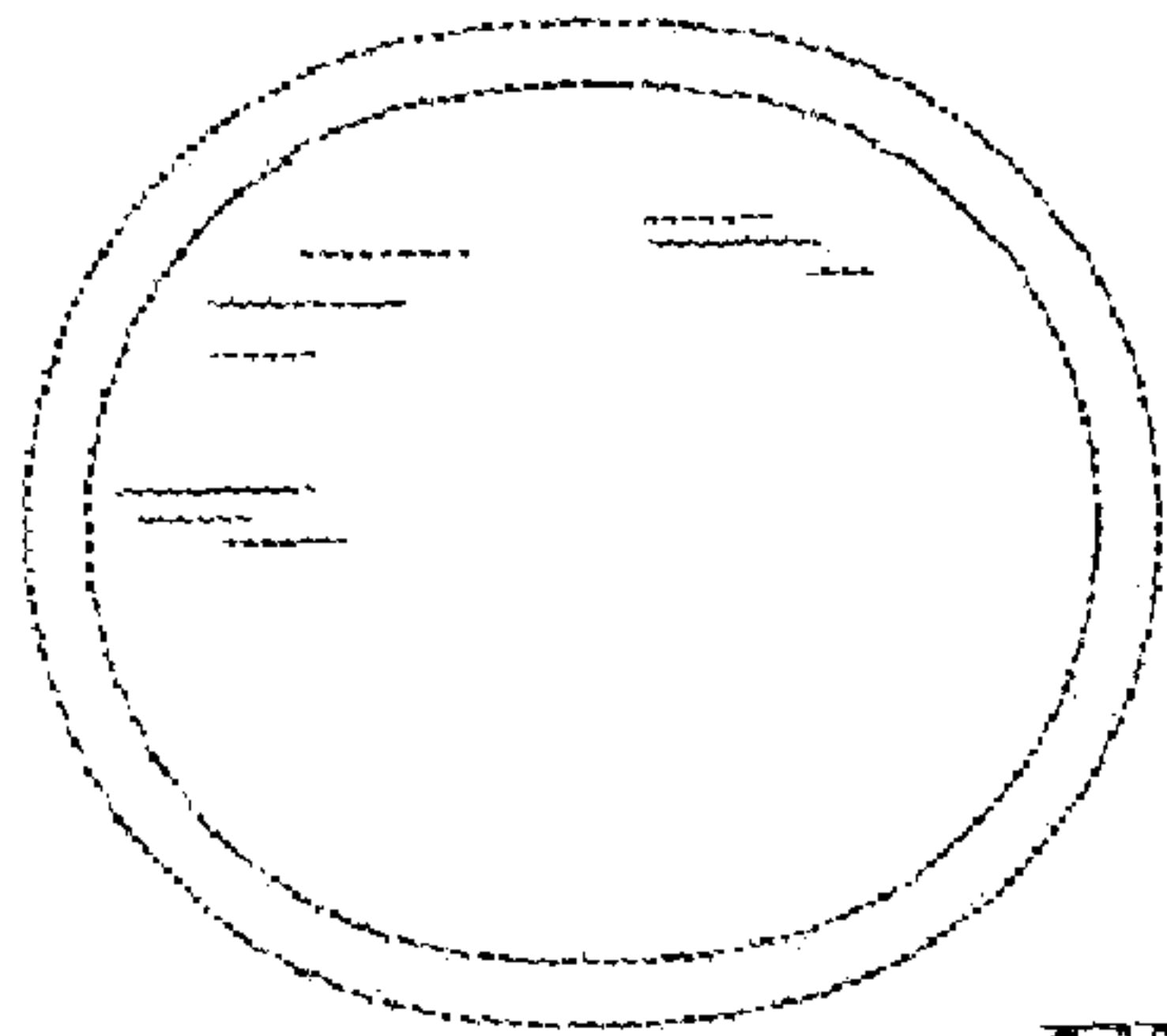


FIG. 5

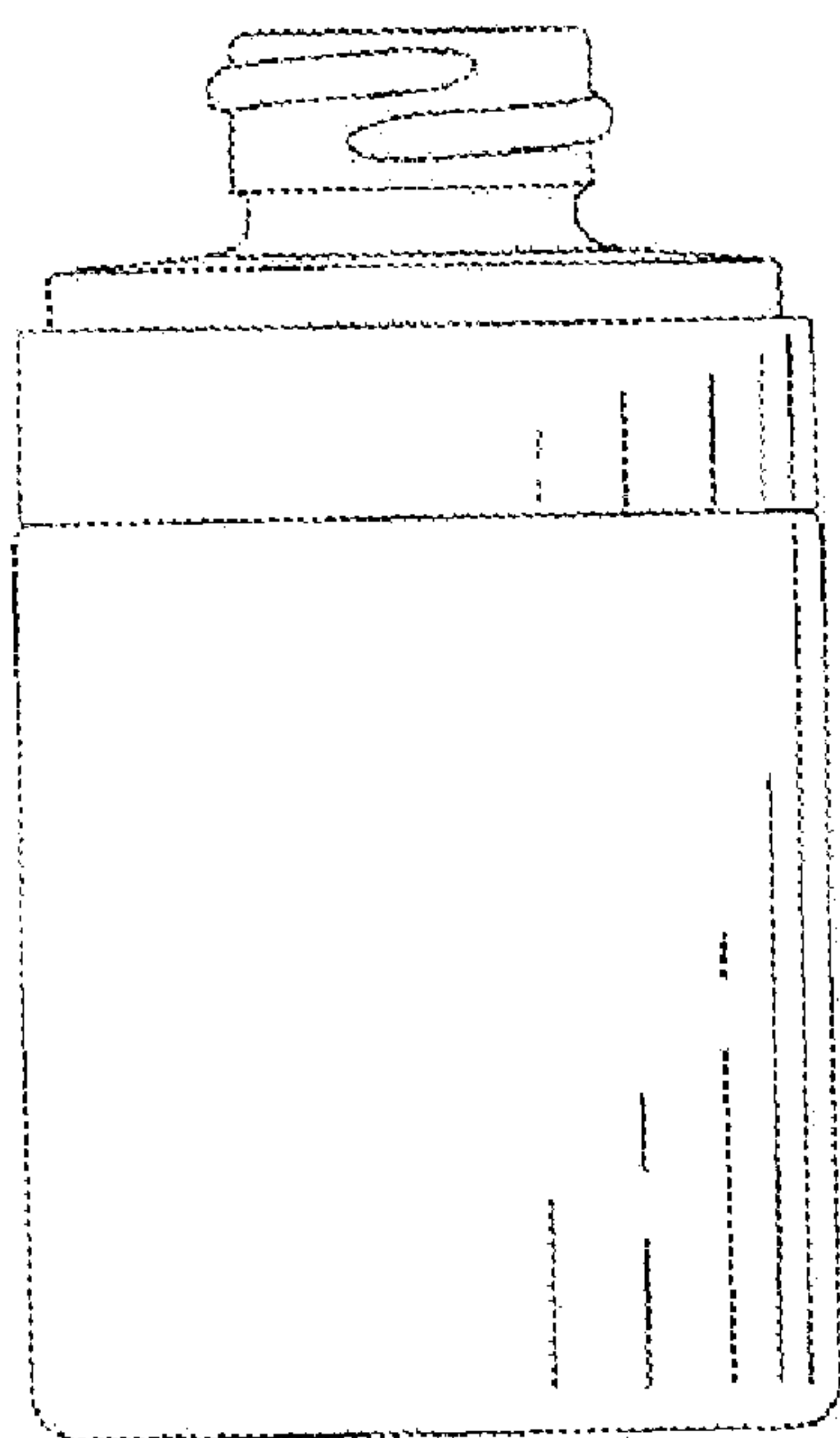


FIG. 3

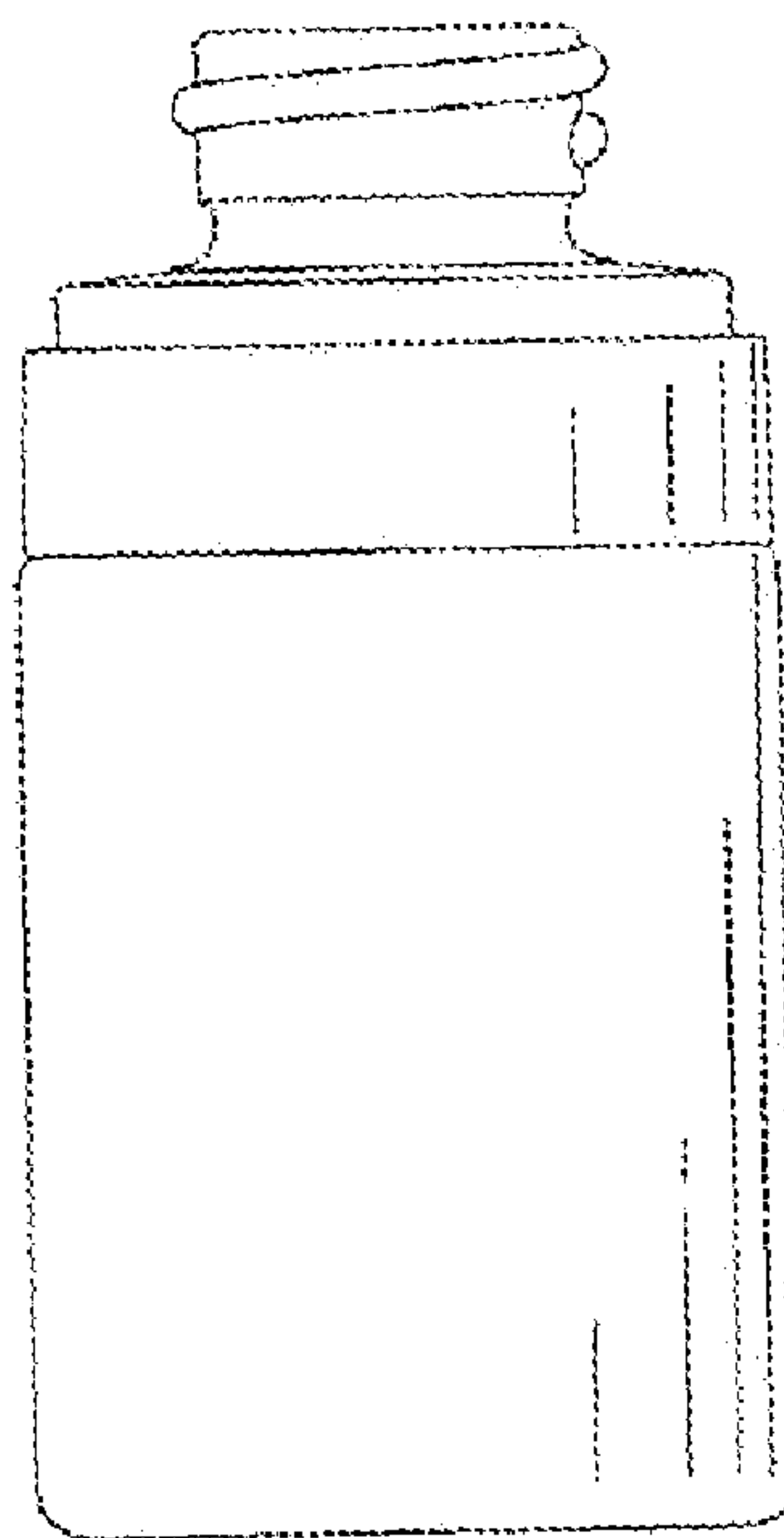


FIG. 4

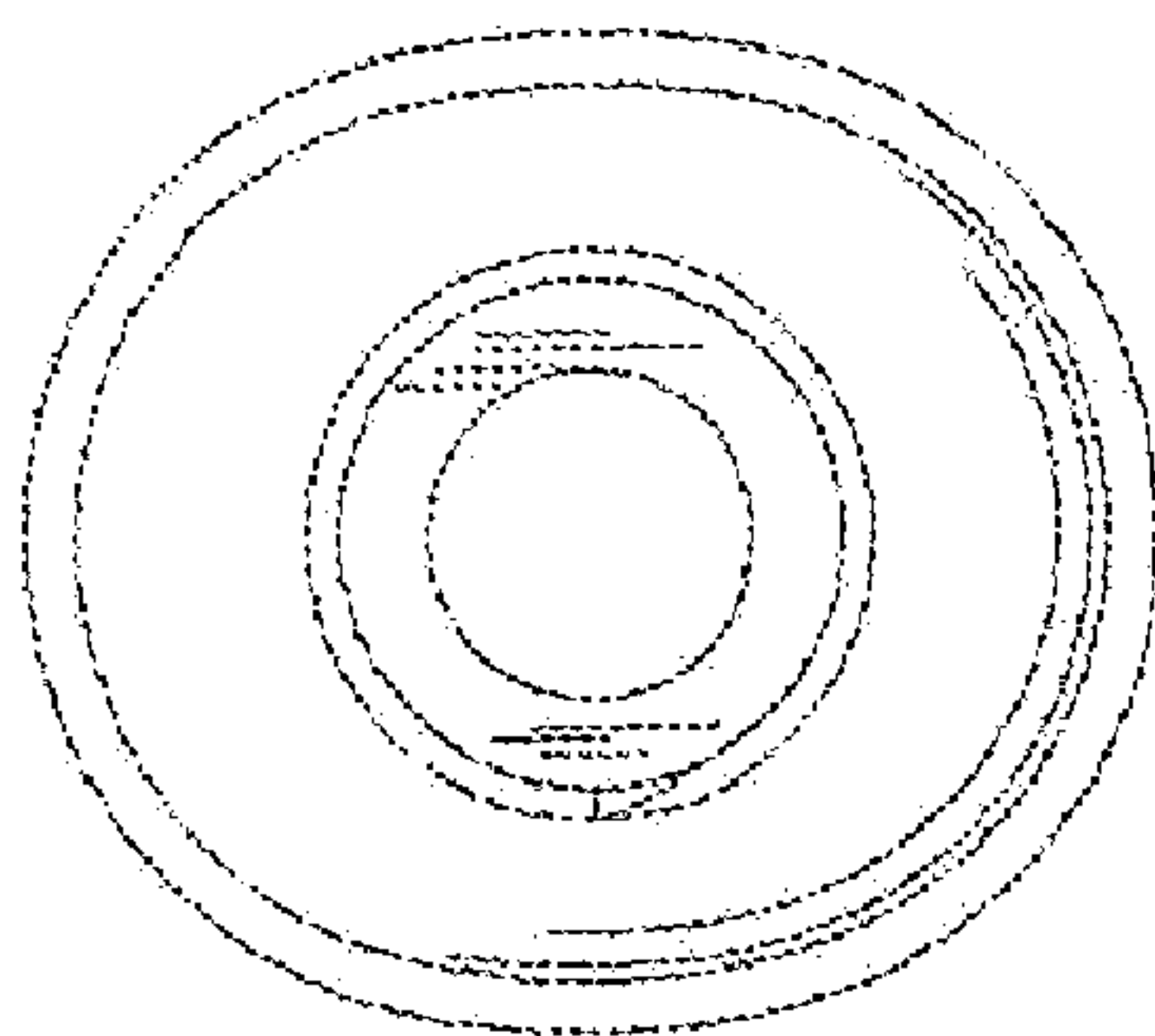


FIG. 2

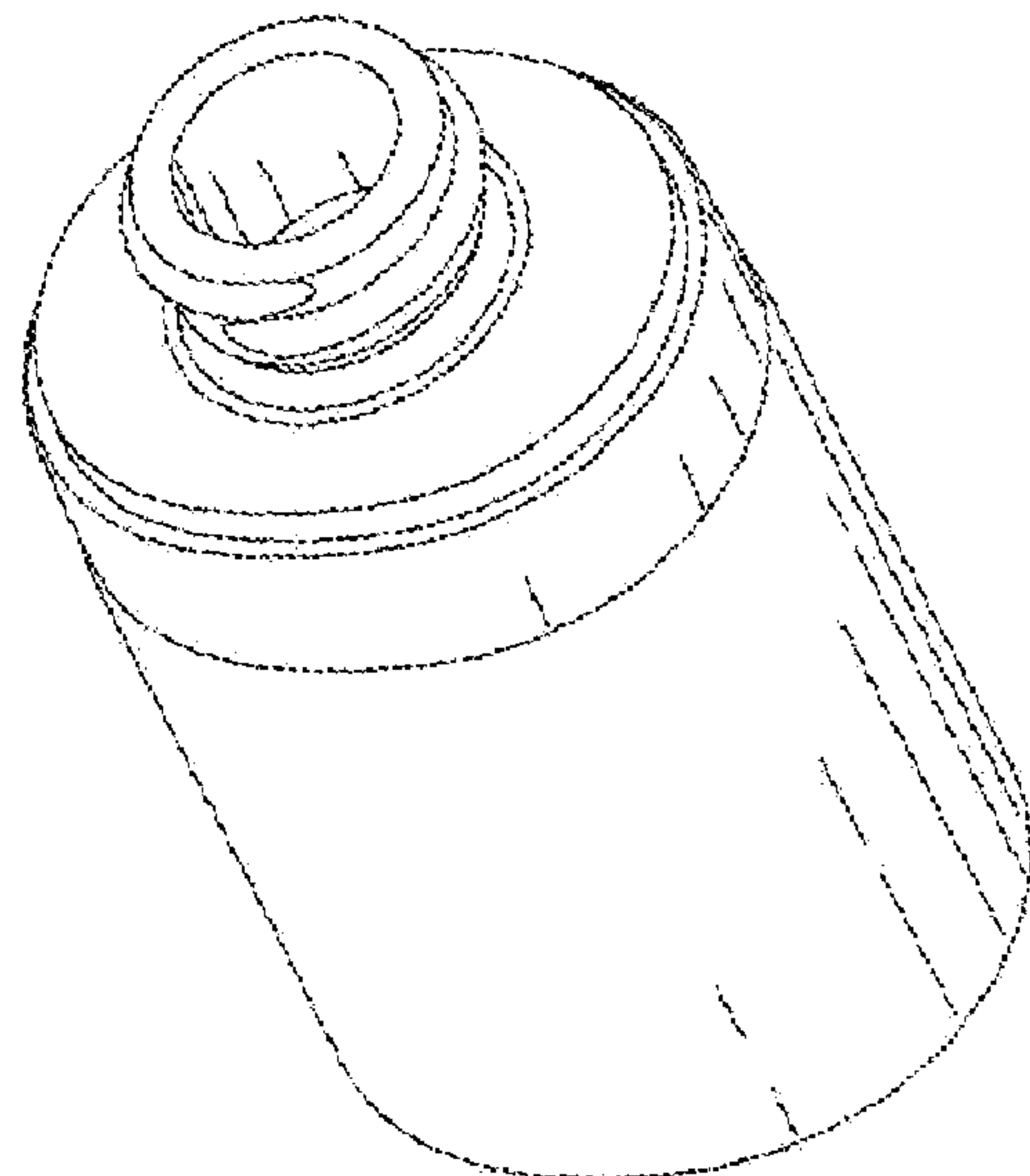


FIG. 1

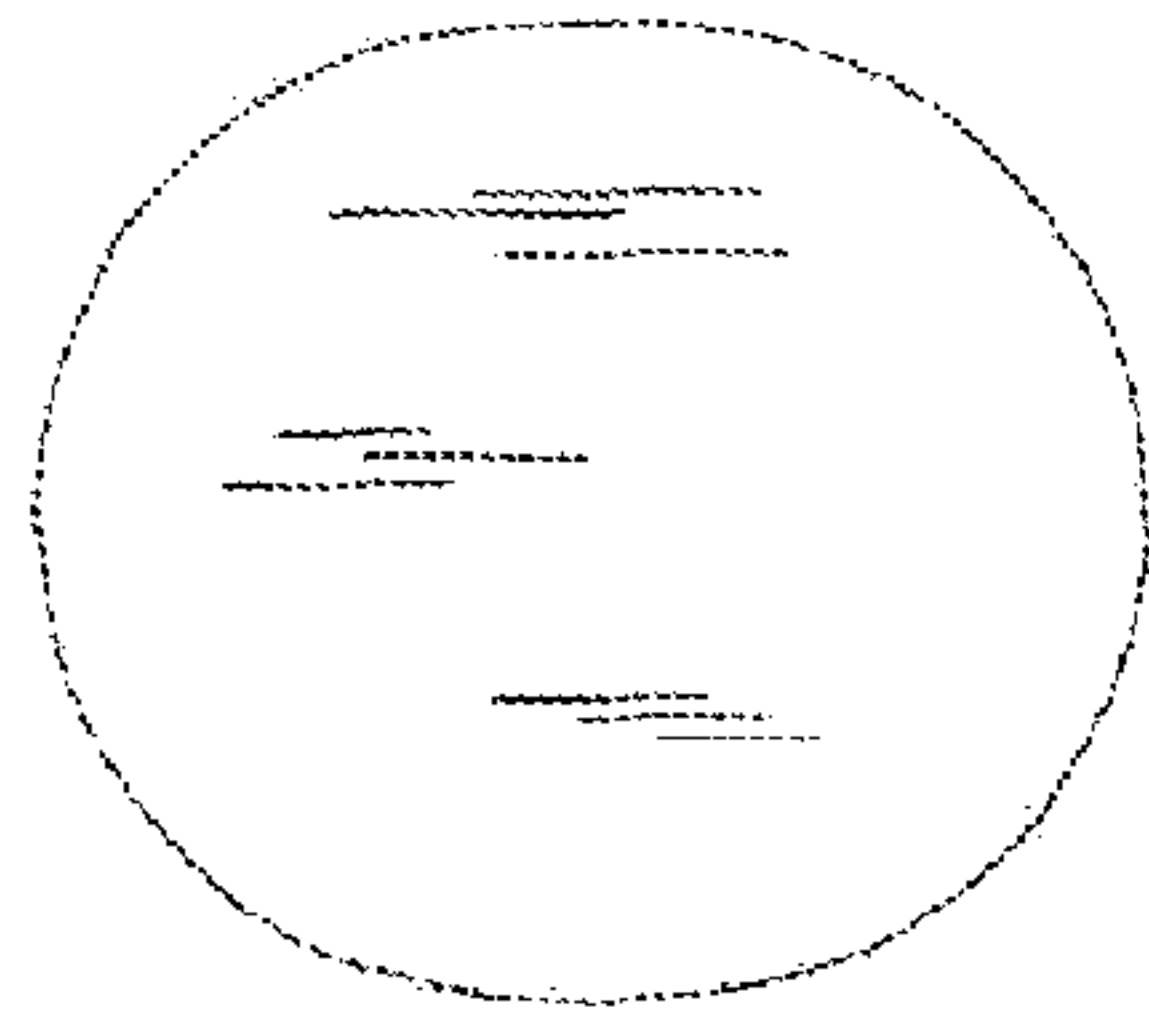


FIG. 10

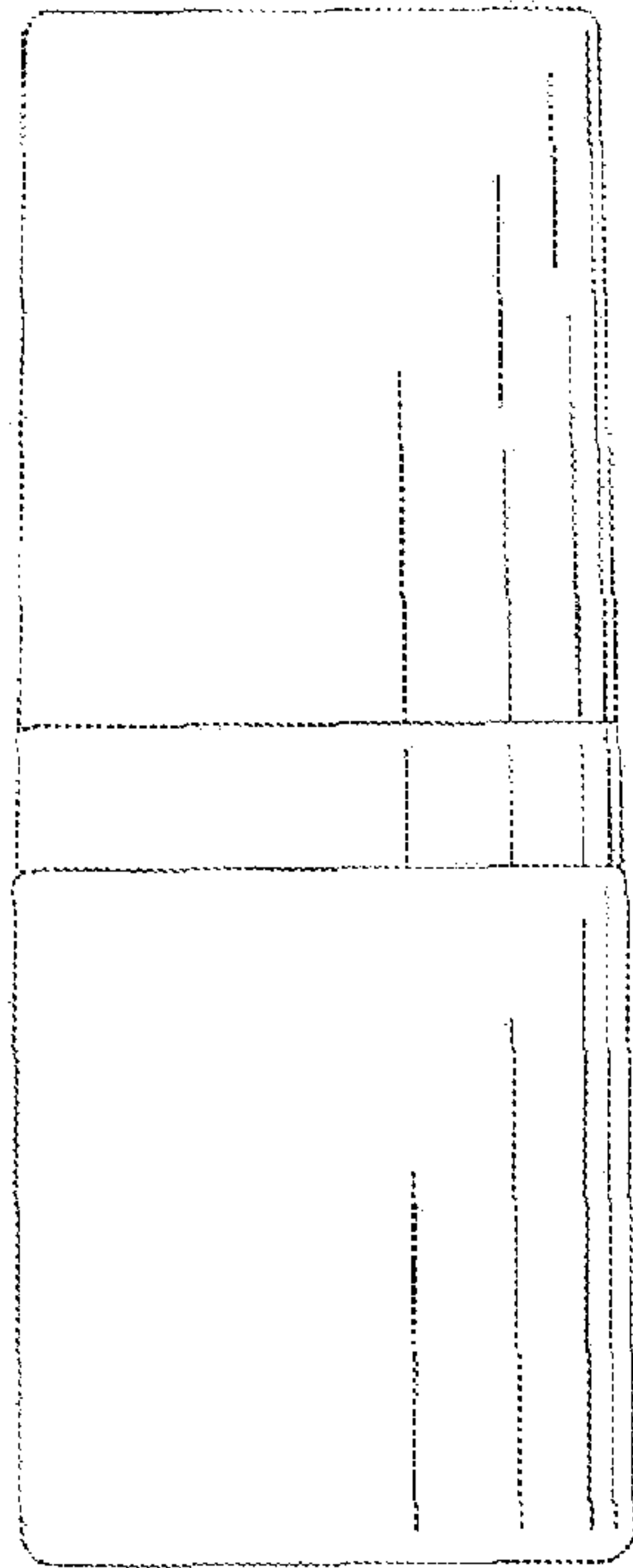


FIG. 9

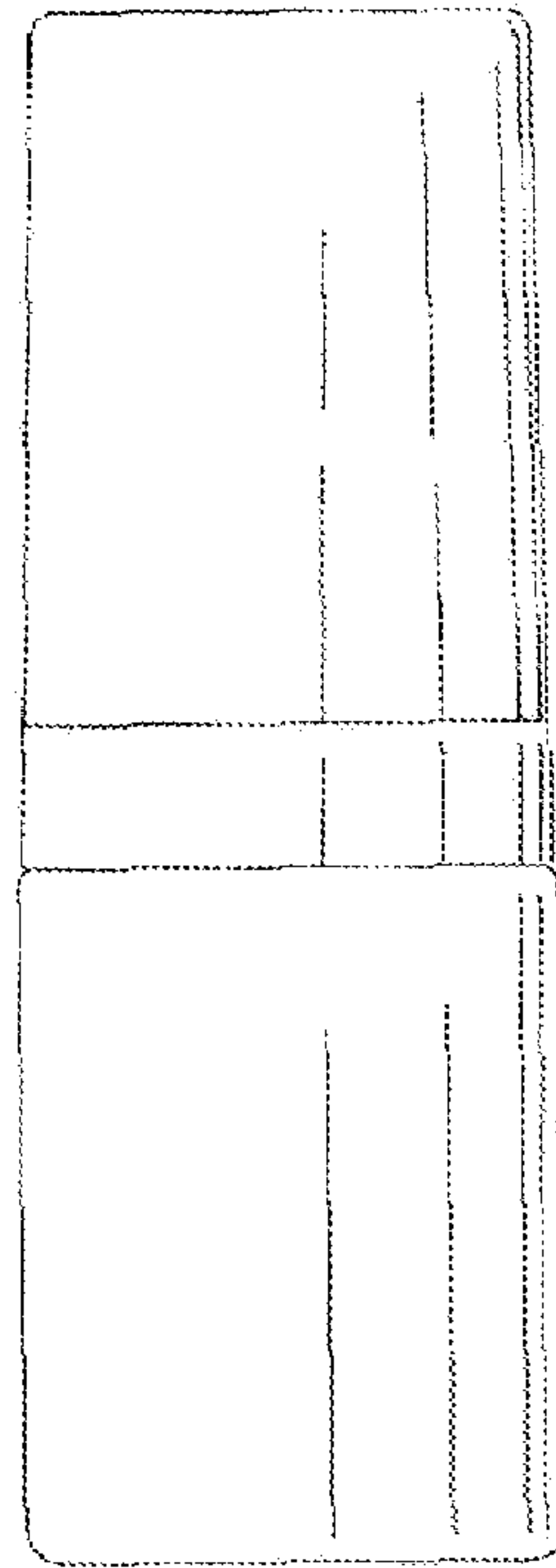


FIG. 8

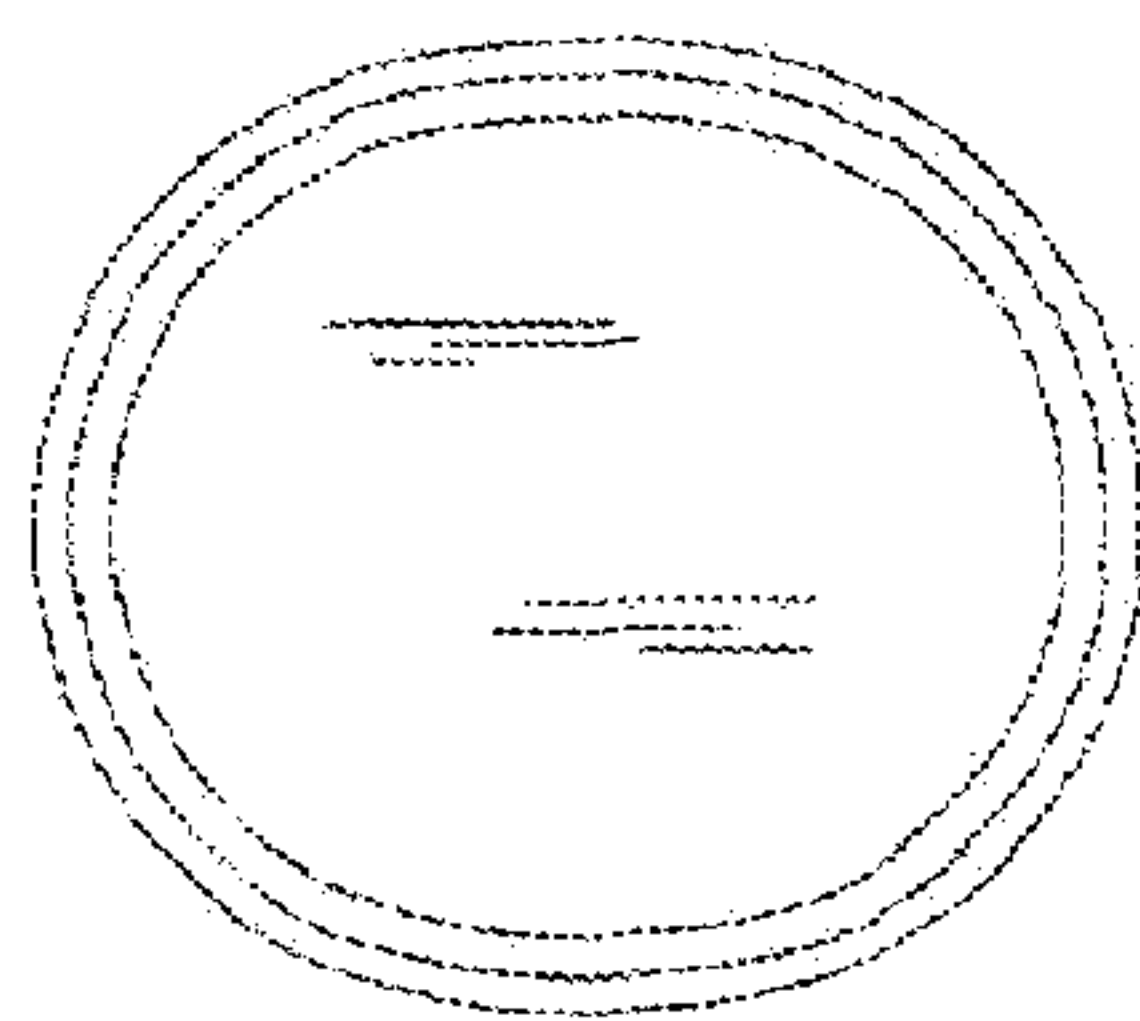


FIG. 7

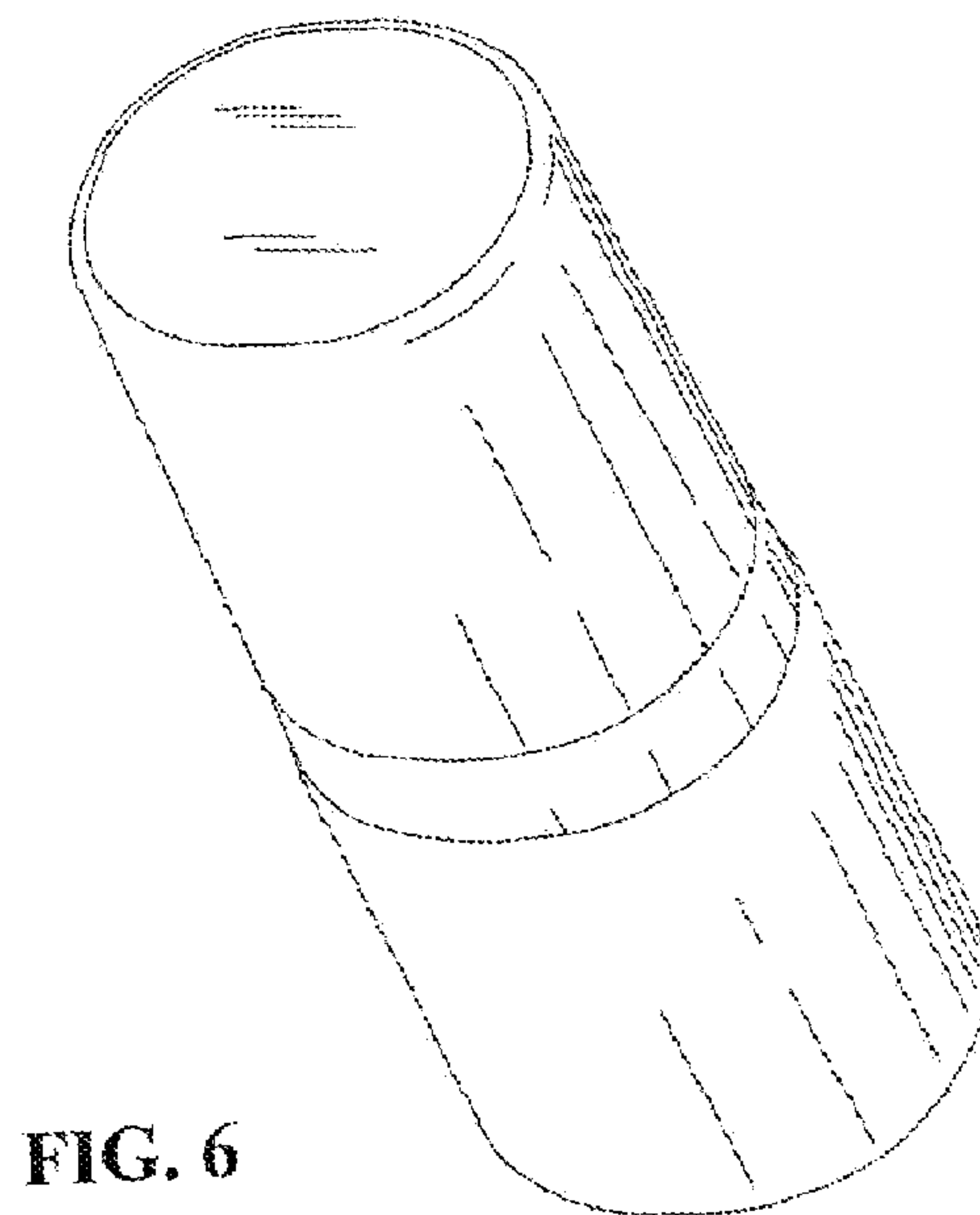


FIG. 6