

US00D569250S

(12) **United States Design Patent**
Chou

(10) **Patent No.:** **US D569,250 S**

(45) **Date of Patent:** **** May 20, 2008**

(54) **CUP LID**

(76) Inventor: **Shin-Jai Chou**, 3 Fl., No. 17, Pao
Ching Street, Hsintien City, Taipei
Hsien (TW)

(**) Term: **14 Years**

(21) Appl. No.: **29/285,003**

(22) Filed: **Mar. 20, 2007**

(51) **LOC (8) Cl.** **09-07**

(52) **U.S. Cl.** **D9/453; D9/454; D9/445**

(58) **Field of Classification Search** D9/662,
D9/661, 529, 504, 454, 453, 452, 448, 445,
D9/444, 435, 726, 503, 689, 429, 728, 682;
222/5, 148, 402.13; 220/915, 796, 675, 284,
220/200, 212; 215/281, 222; D7/728, 608,
D7/510; D11/152; D23/223

See application file for complete search history.

(56) **References Cited**

U.S. PATENT DOCUMENTS

D195,699 S * 7/1963 Bostrum D9/429
D325,181 S * 4/1992 Lee D11/152
D342,447 S * 12/1993 Aylward D9/429
D345,912 S * 4/1994 Krupa D9/429

D436,862 S * 1/2001 Witt et al. D9/453
D438,794 S * 3/2001 Miles et al. D9/429
D453,684 S * 2/2002 Bezek et al. D9/503
D494,468 S * 8/2004 Vovan D9/435
D499,645 S * 12/2004 Edwards D9/429

* cited by examiner

Primary Examiner—Gary D. Watson

Assistant Examiner—Susan B Hattan

(74) *Attorney, Agent, or Firm*—Rosenberg, Klein & Lee

(57) **CLAIM**

The ornamental design for a cup lid, as shown and described.

DESCRIPTION

FIG. 1 is a perspective view of a cup lid showing my new design;

FIG. 2 is a front view thereof;

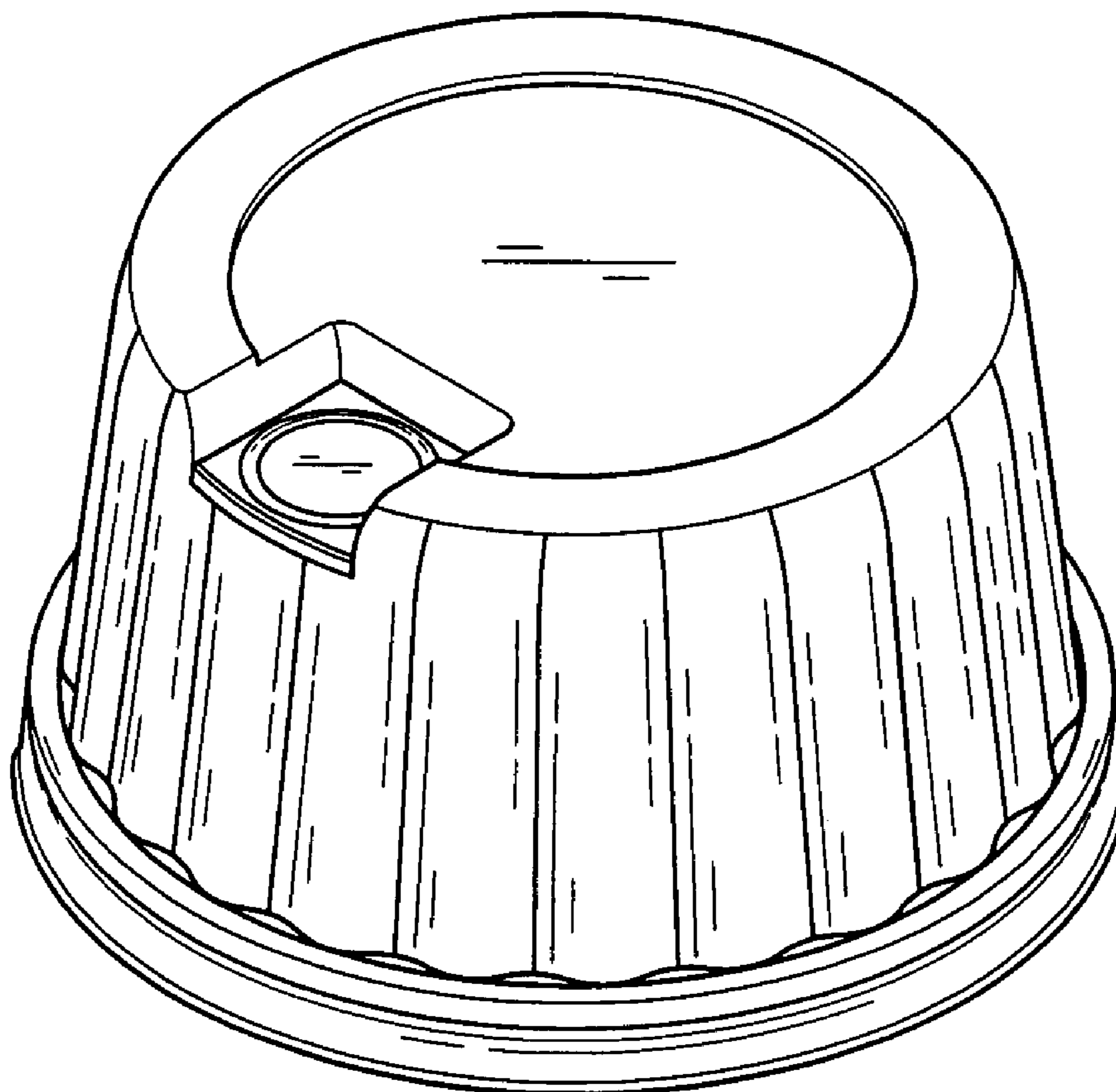
FIG. 3 is a rear view thereof;

FIG. 4 is a right side elevational view thereof, the opposite side being a mirror image of the shown;

FIG. 5 is a top plan view thereof; and,

FIG. 6 is a bottom plan view thereof.

1 Claim, 3 Drawing Sheets



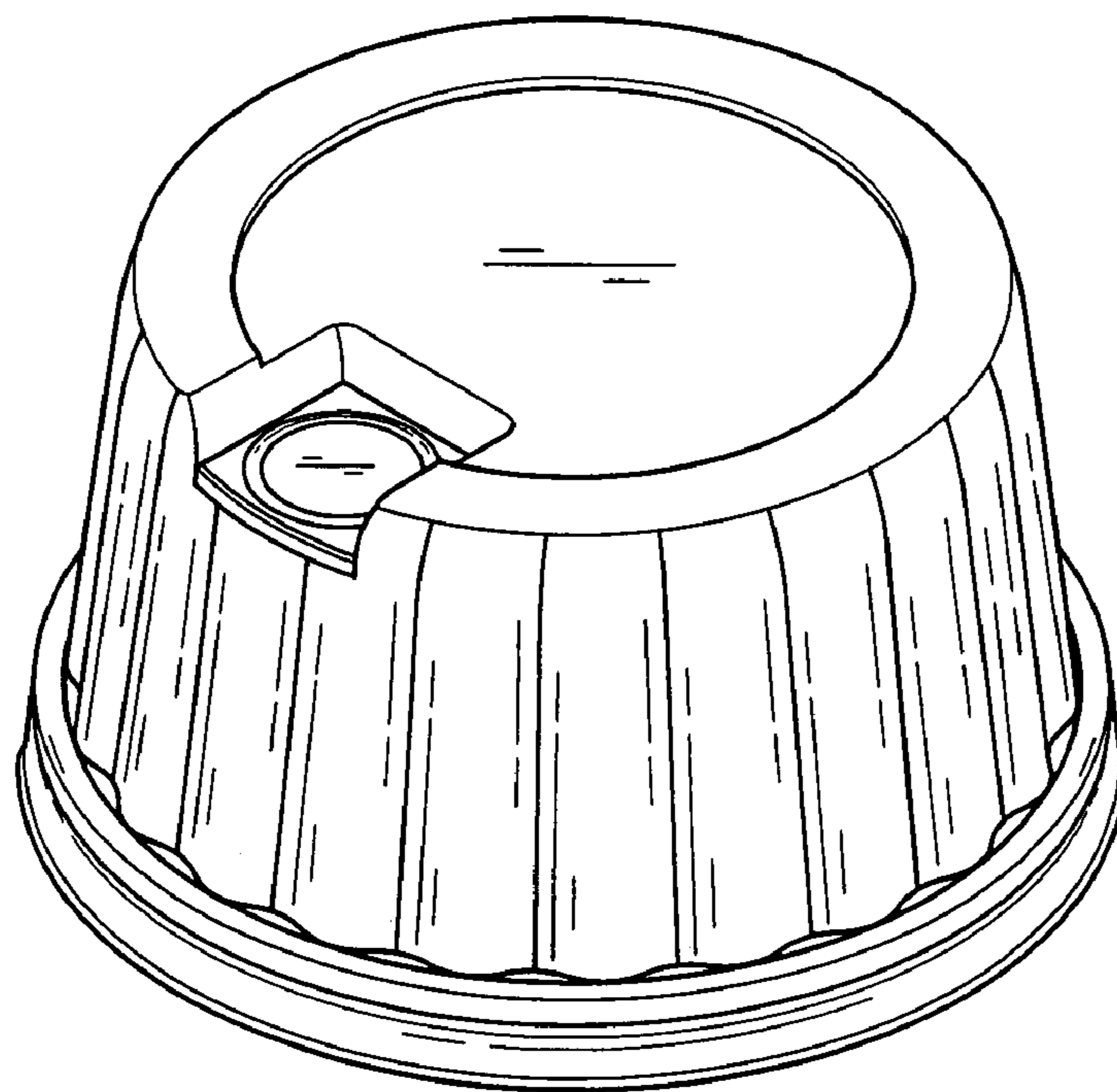


FIG. 1

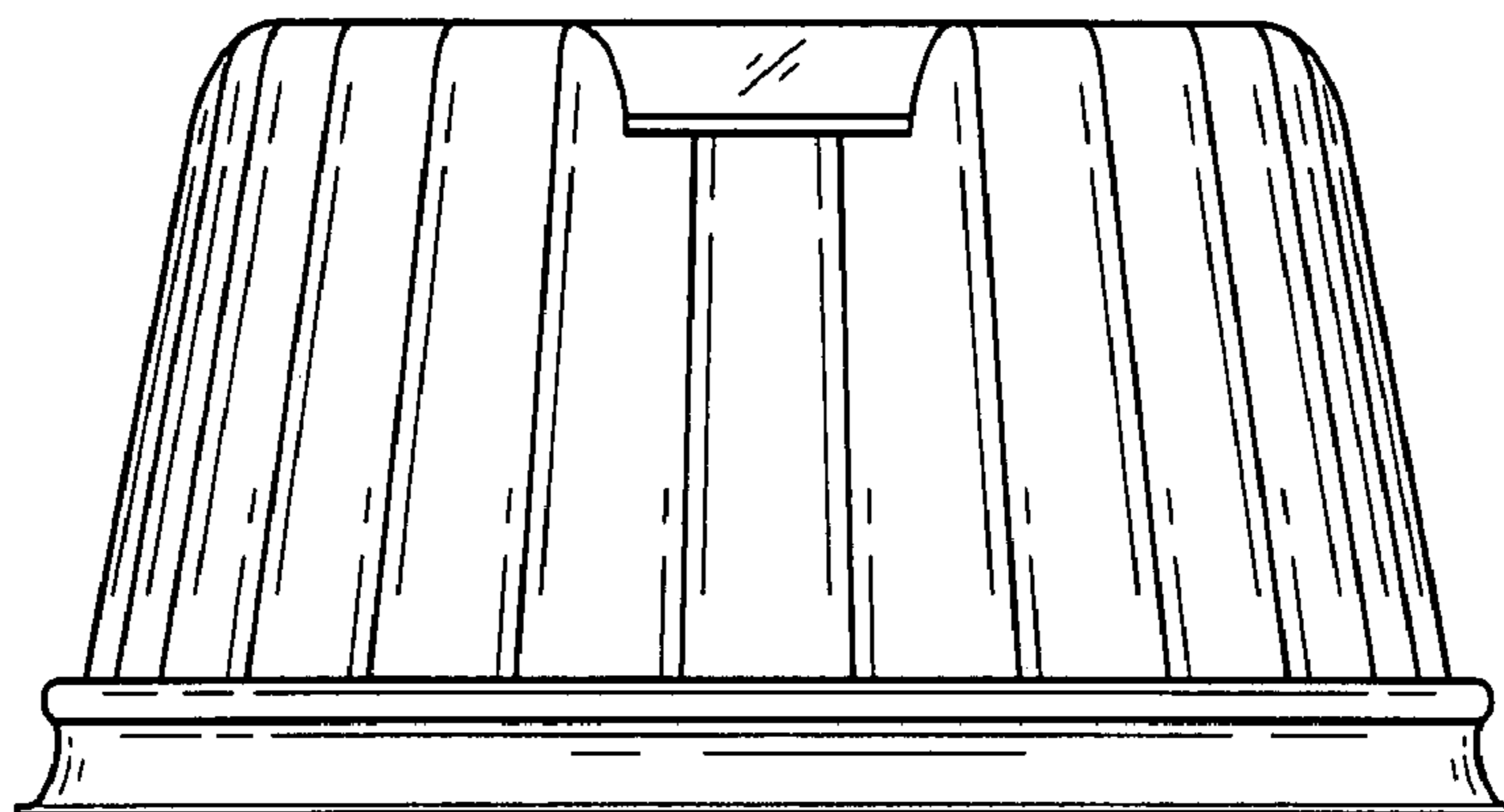


FIG. 2

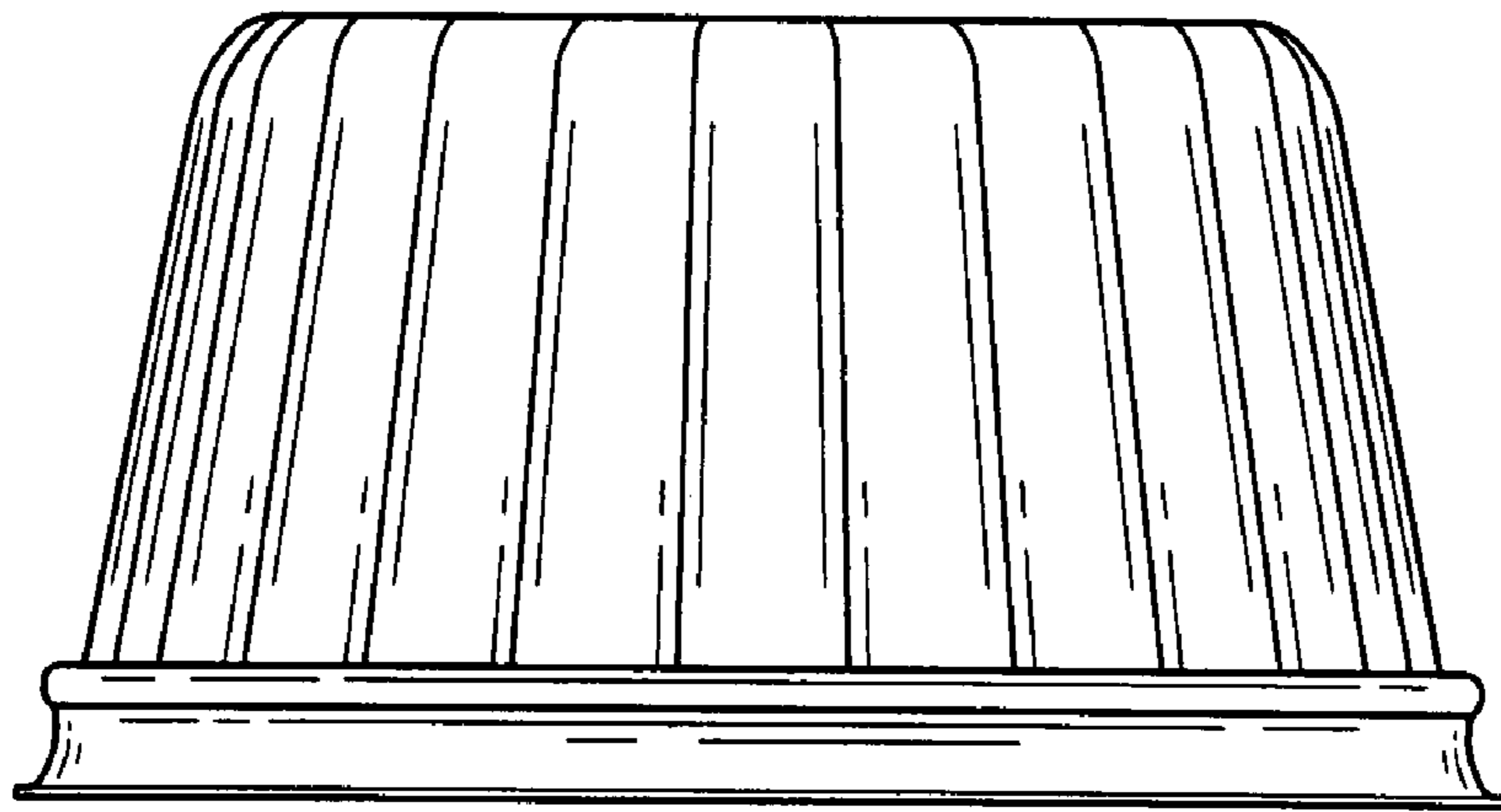


FIG.3

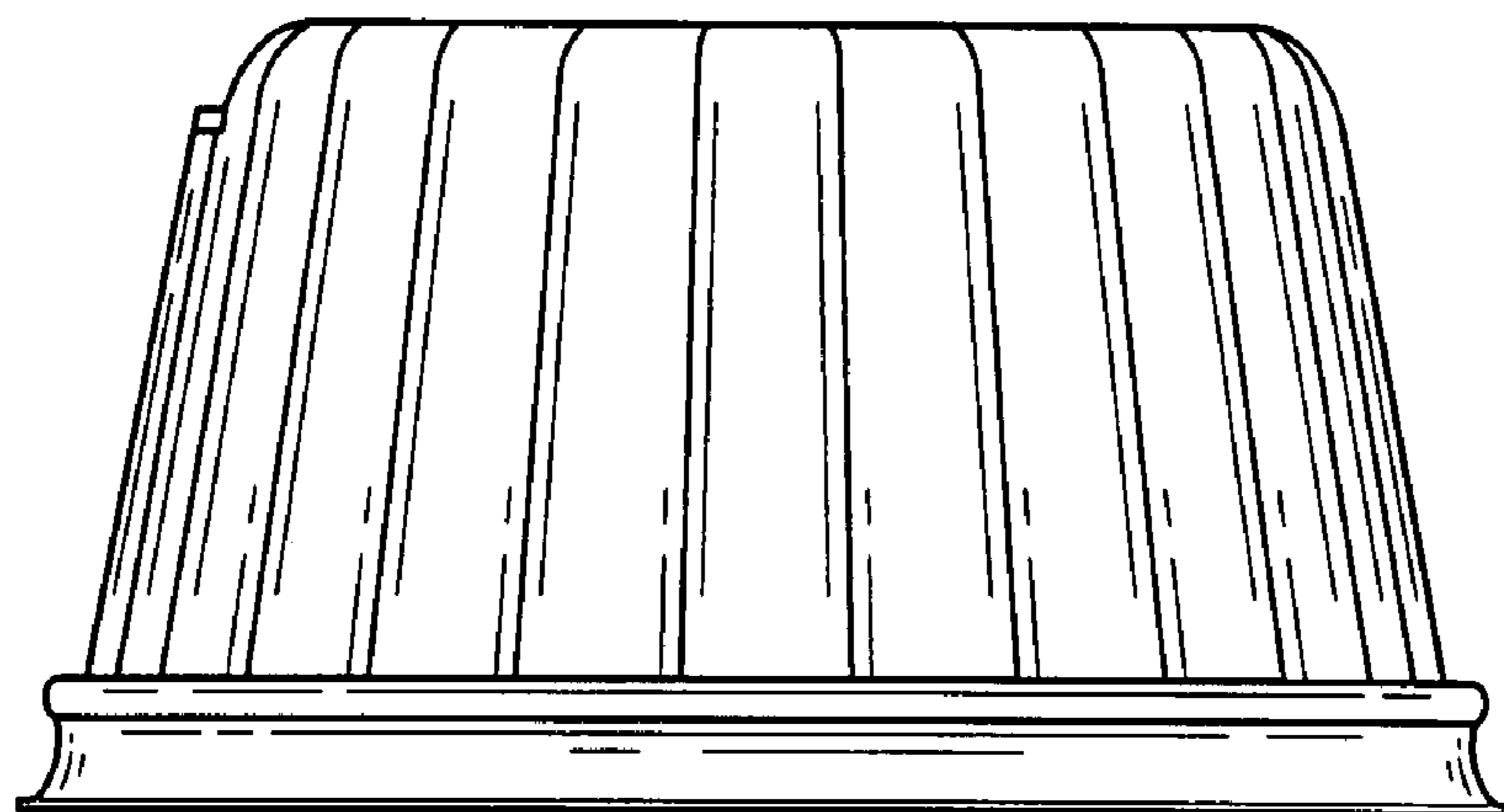


FIG.4

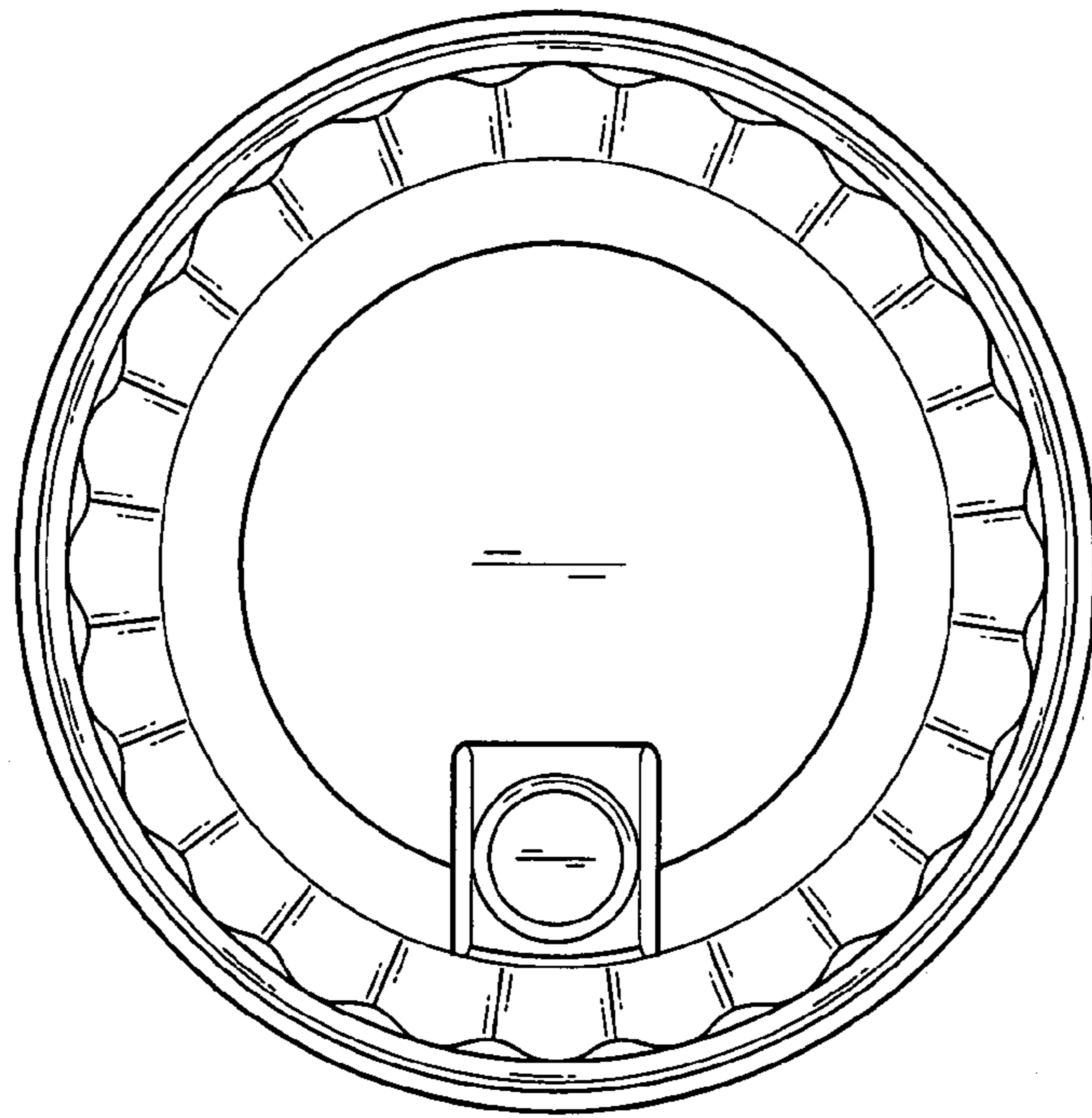


FIG.5

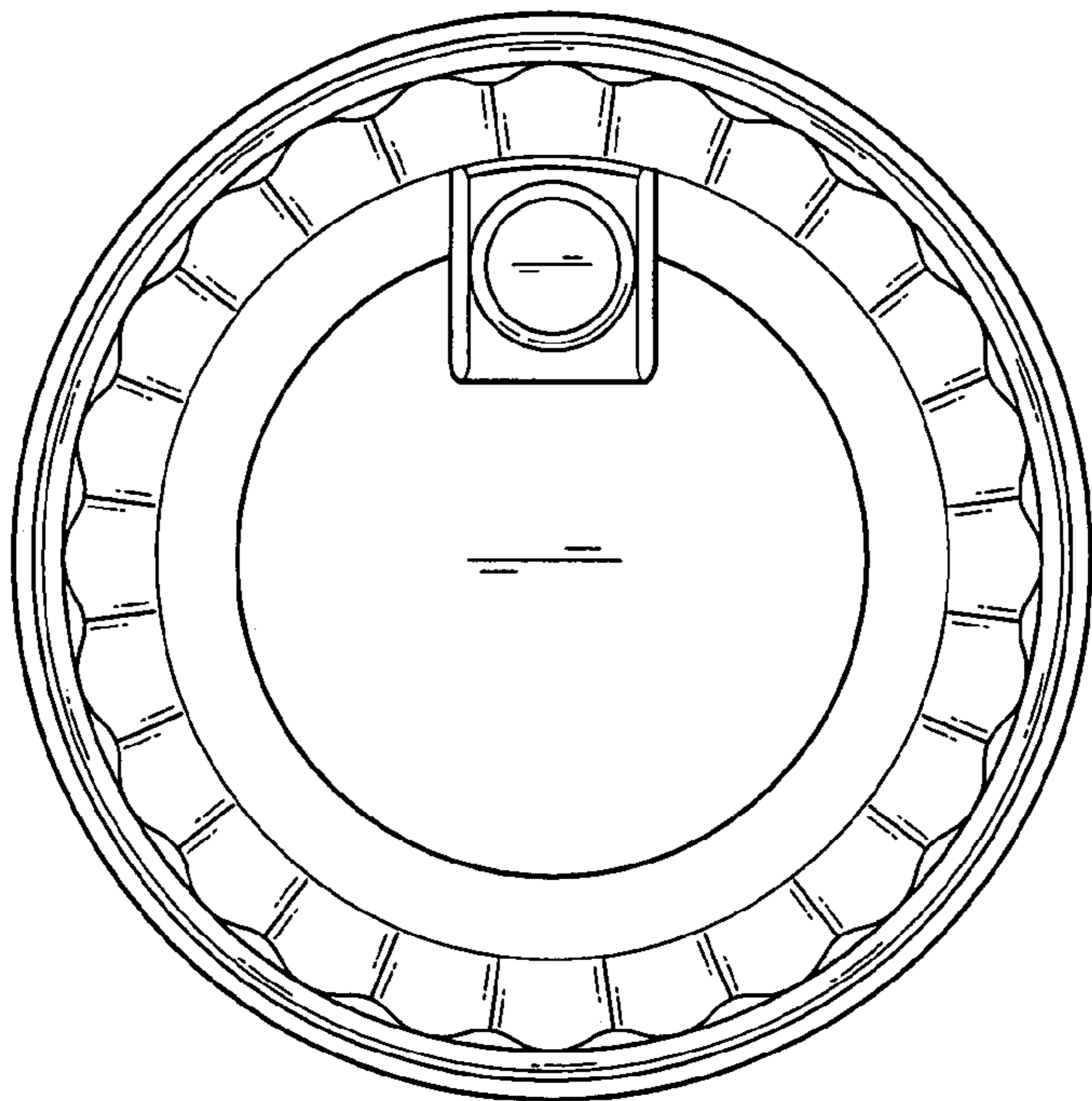


FIG.6