



US00D569244S

(12) **United States Design Patent** (10) **Patent No.:** **US D569,244 S**
Blasko et al. (45) **Date of Patent:** **** May 20, 2008**

(54) **S-WAVE ORIFICE**

(75) Inventors: **Tanya Nicole Blasko**, Cincinnati, OH (US); **Jon George Denham**, Milford, OH (US); **Roberto Escobosa**, Loveland, OH (US); **Michael Dean McCutchan**, Hamilton, OH (US); **Paul Owen Nutley**, West Chester, OH (US)

(73) Assignee: **The Procter & Gamble Company**, Cincinnati, OH (US)

(**) Term: **14 Years**

(21) Appl. No.: **29/260,795**

(22) Filed: **Jun. 1, 2006**

(51) **LOC (8) Cl.** **09-07**

(52) **U.S. Cl.** **D9/447**

(58) **Field of Classification Search** D9/734,
D9/728, 682, 448, 447, 440, 434, 693, 694,
D9/690; D6/515; D23/238; 222/321.1-321.9,
222/282, 251; 221/63

See application file for complete search history.

(56) **References Cited**

U.S. PATENT DOCUMENTS

D397,291 S	8/1998	Tabaroni	
D418,059 S *	12/1999	Hill	D9/434
D420,291 S	2/2000	Guann	
D426,155 S *	6/2000	Blow et al.	D9/434
D427,071 S	6/2000	Williams	
D443,450 S *	6/2001	Ruhotas et al.	D6/515
D445,028 S *	7/2001	Grubstein	D9/447
D457,264 S	5/2002	Gersten	
D509,142 S	9/2005	Blasko	
D509,743 S	9/2005	Blasko	

2002/0179626 A1 *	12/2002	Huang et al.	221/63
2007/0215631 A1 *	9/2007	Bendor et al.	221/63
2007/0215632 A1 *	9/2007	Bendor et al.	221/63

OTHER PUBLICATIONS

- U.S. Appl. No. 29/207,406, filed Jun. 14, 2004, Blasko.
- U.S. Appl. No. 29/207,404, filed Jun. 14, 2004, Blasko.
- U.S. Appl. No. 29/207,473, filed Jun. 14, 2004, Blasko.
- U.S. Appl. No. 29/207,428, filed Jun. 14, 2004, Blasko.
- U.S. Appl. No. 29/206,103, filed May 26, 2004, Blasko.
- U.S. Appl. No. 29/206,133, filed May 26, 2004, Blasko.

* cited by examiner

Primary Examiner—Gary D. Watson

Assistant Examiner—Susan Bennett Hattan

(74) *Attorney, Agent, or Firm*—Bridget Murray

(57) **CLAIM**

The ornamental design for an S-wave orifice, as shown and described.

DESCRIPTION

FIG. 1 is a perspective view of an S-wave orifice showing our new design;

FIG. 2 is a top plan view thereof;

FIG. 3 is a front view thereof;

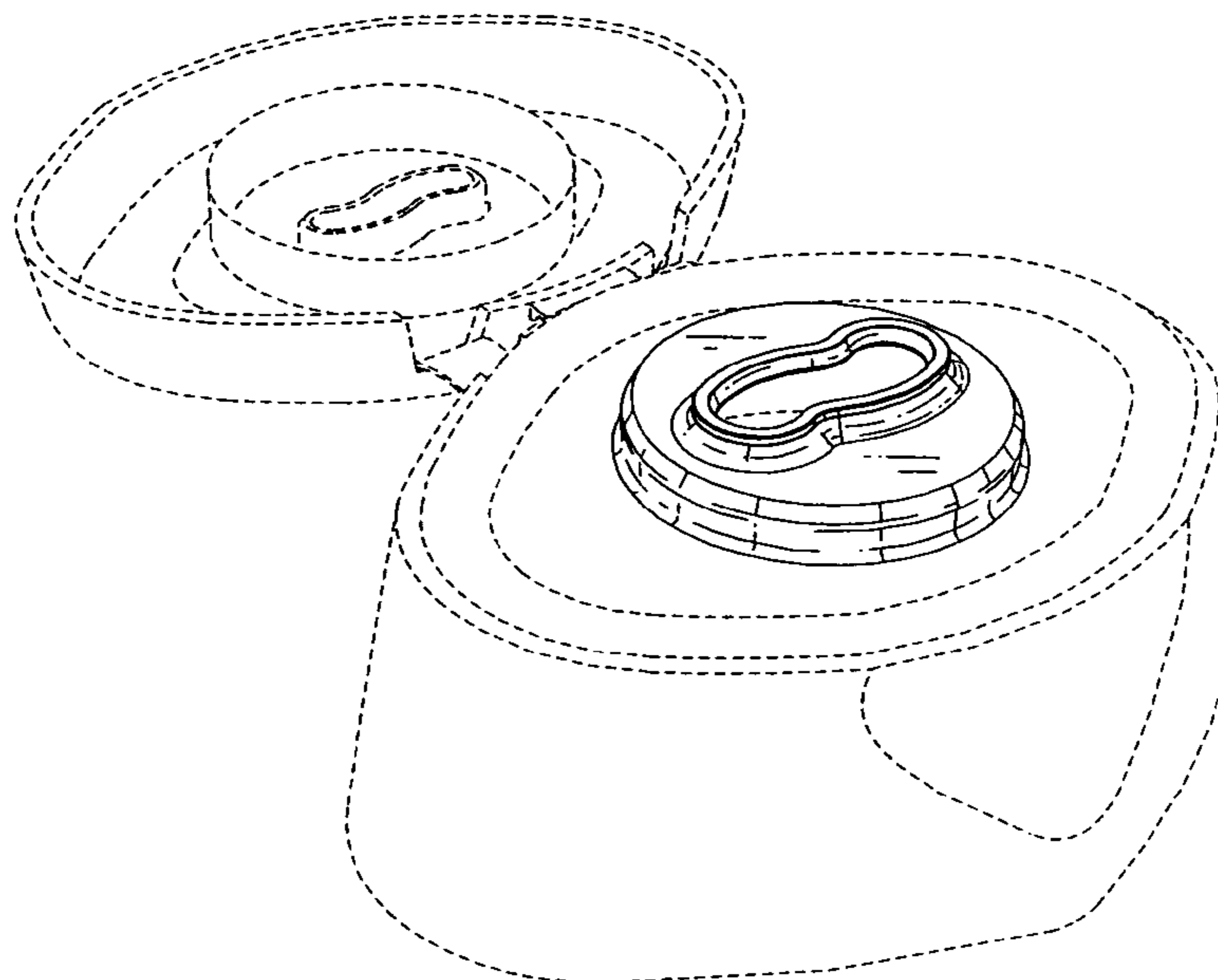
FIG. 4 is a right side view, the left side view being a mirror image thereof;

FIG. 5 is a bottom plan view thereof; and,

FIG. 6 is a back view thereof.

The broken lines in the drawings are for illustrative purposes only and do not form a part of the claimed design.

1 Claim, 2 Drawing Sheets



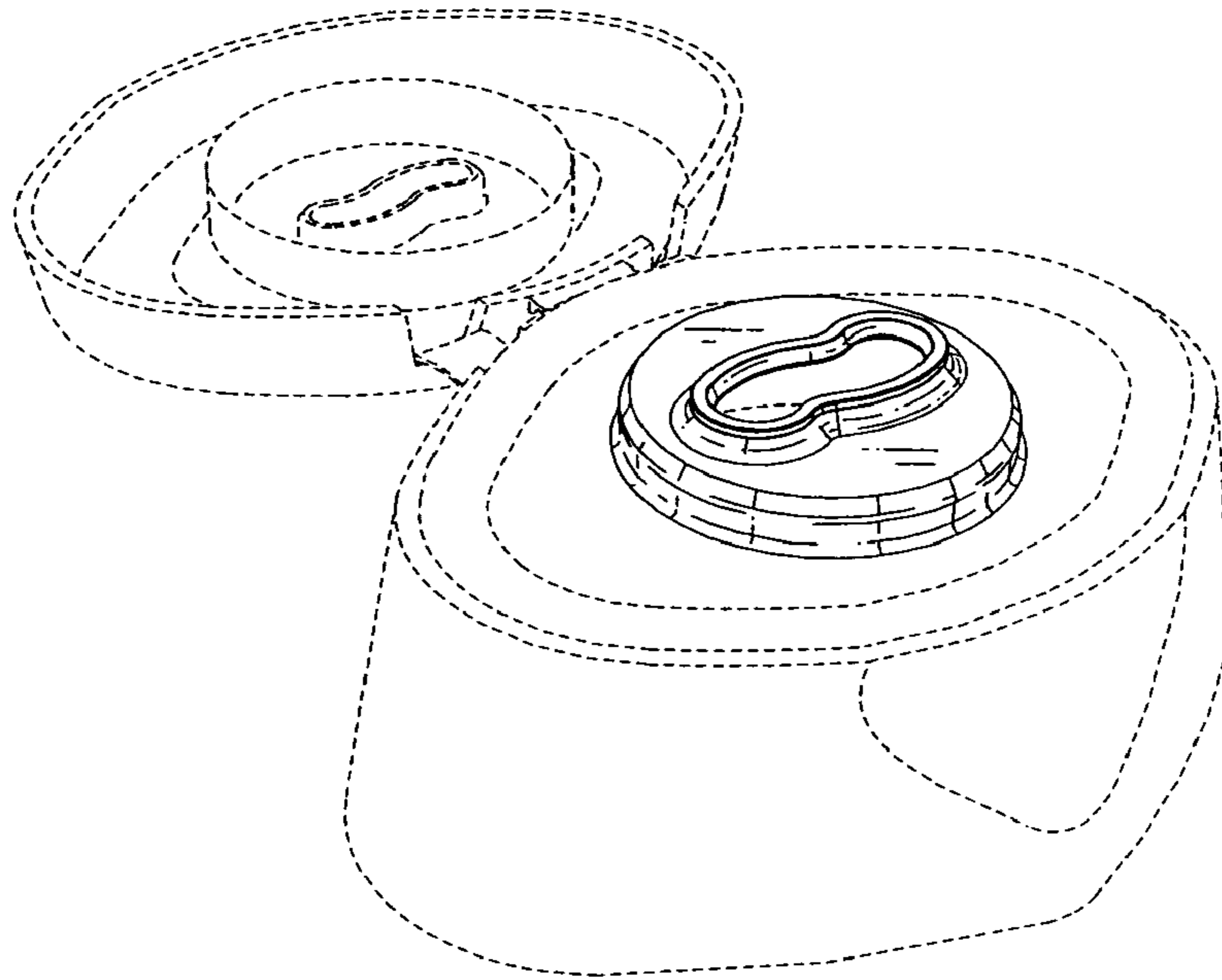


Fig. 1

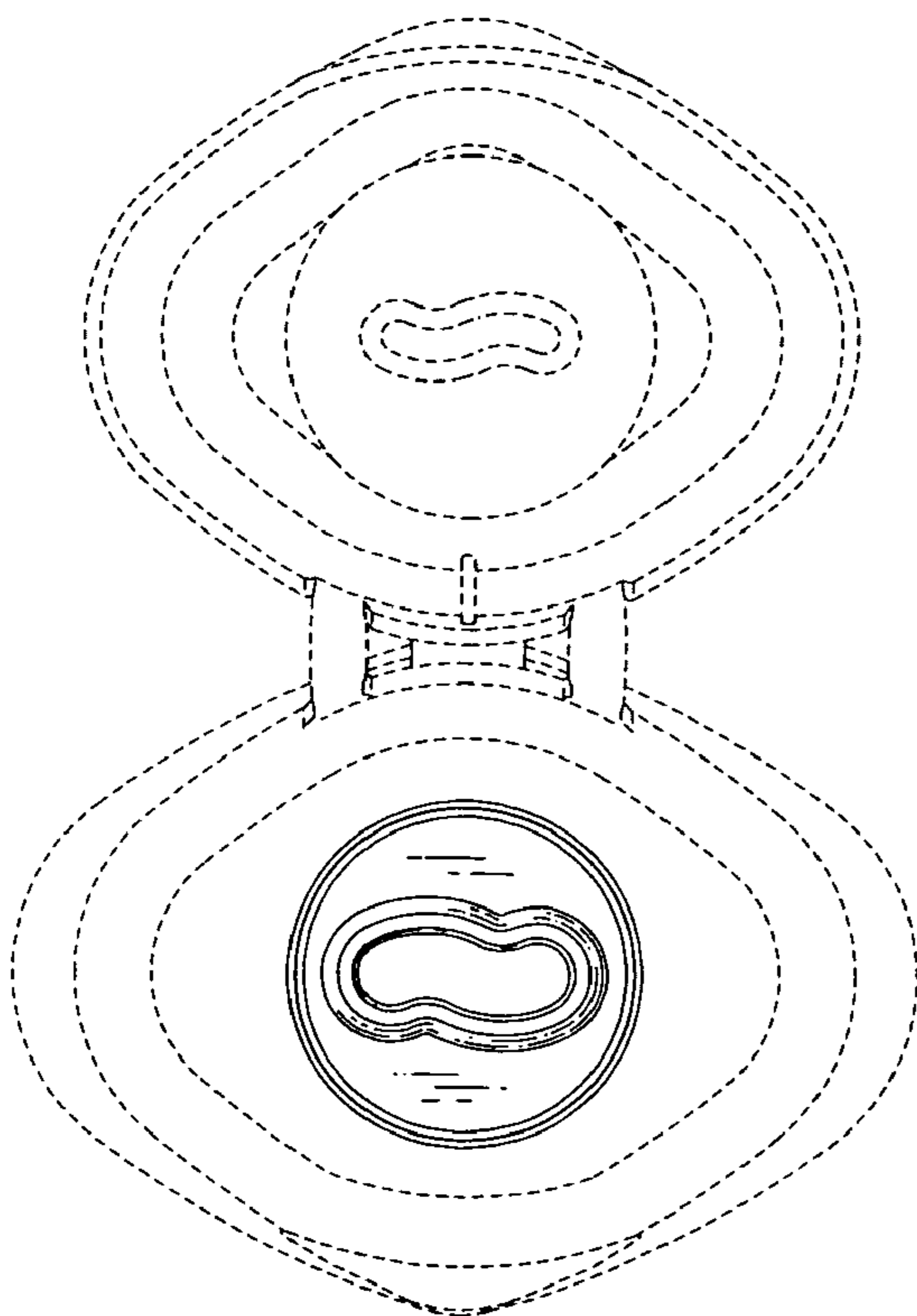


Fig. 2

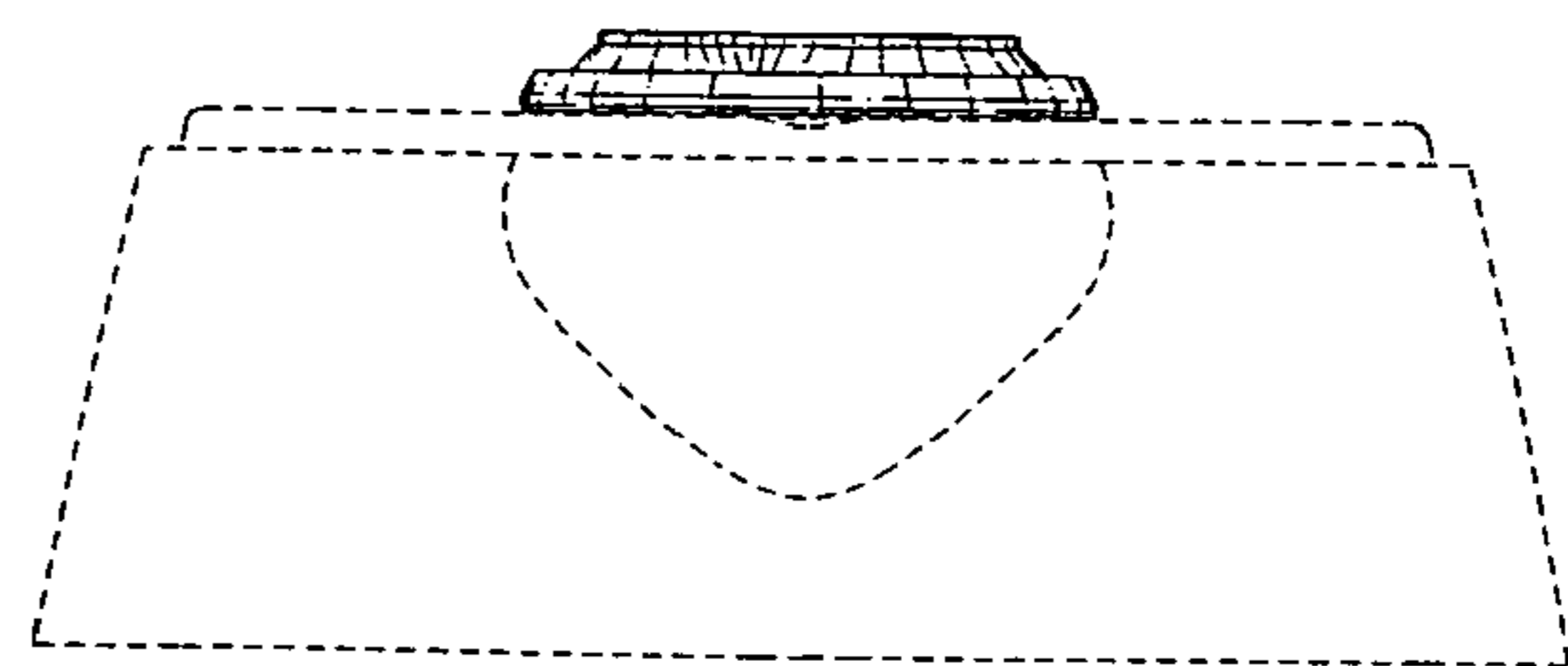


Fig. 3

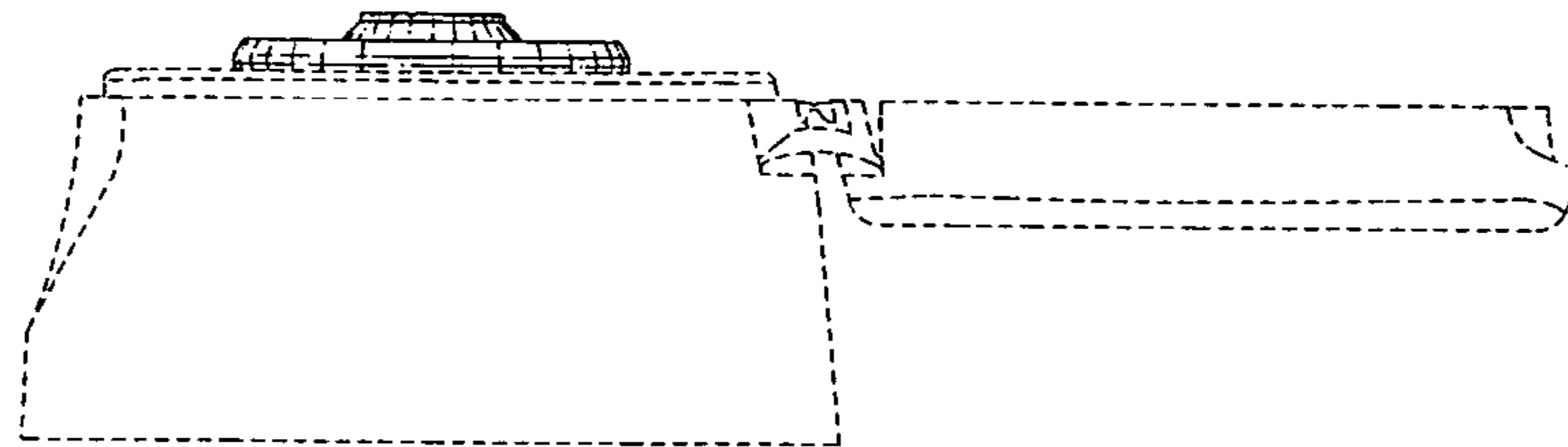


Fig. 4

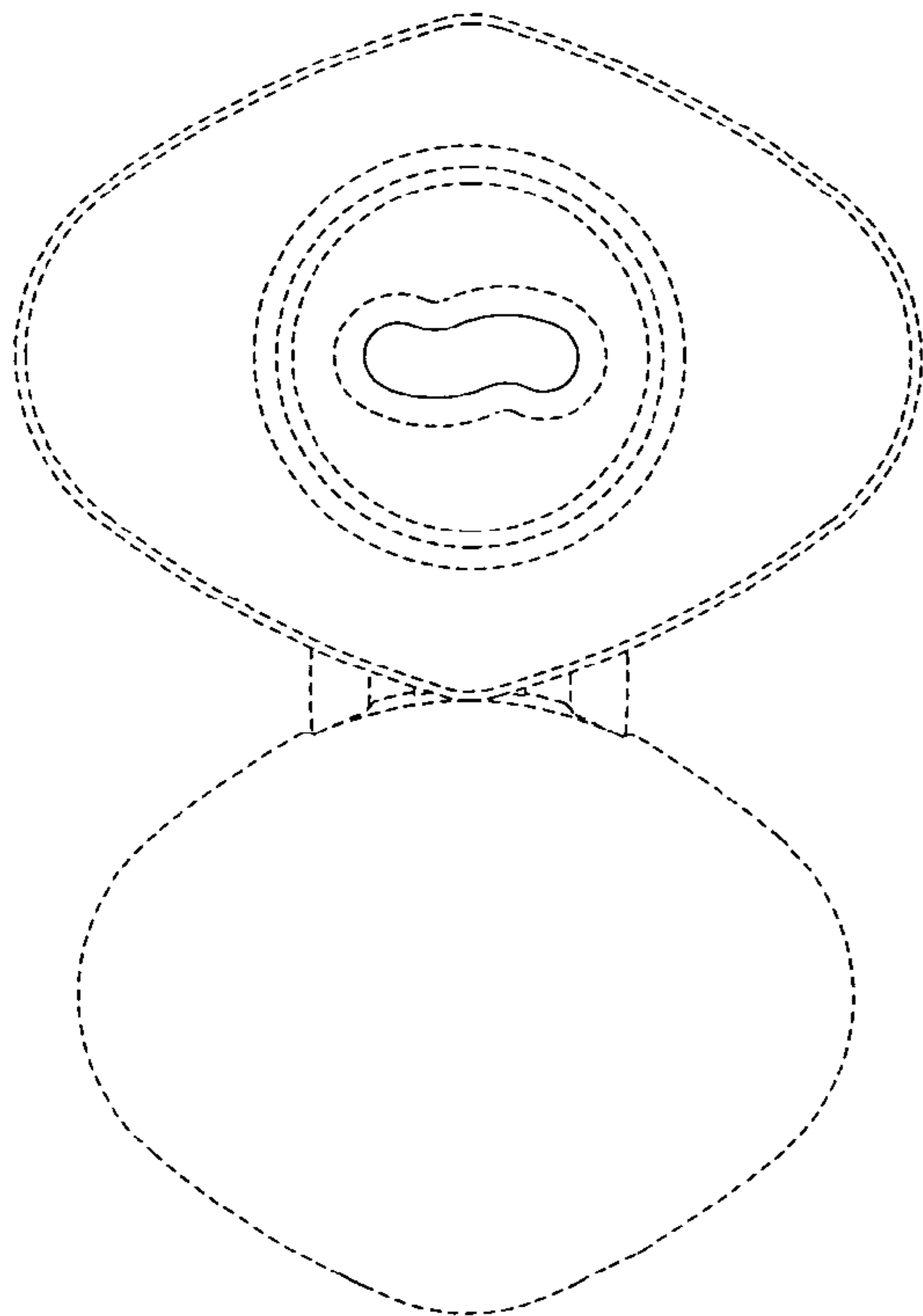


Fig. 5

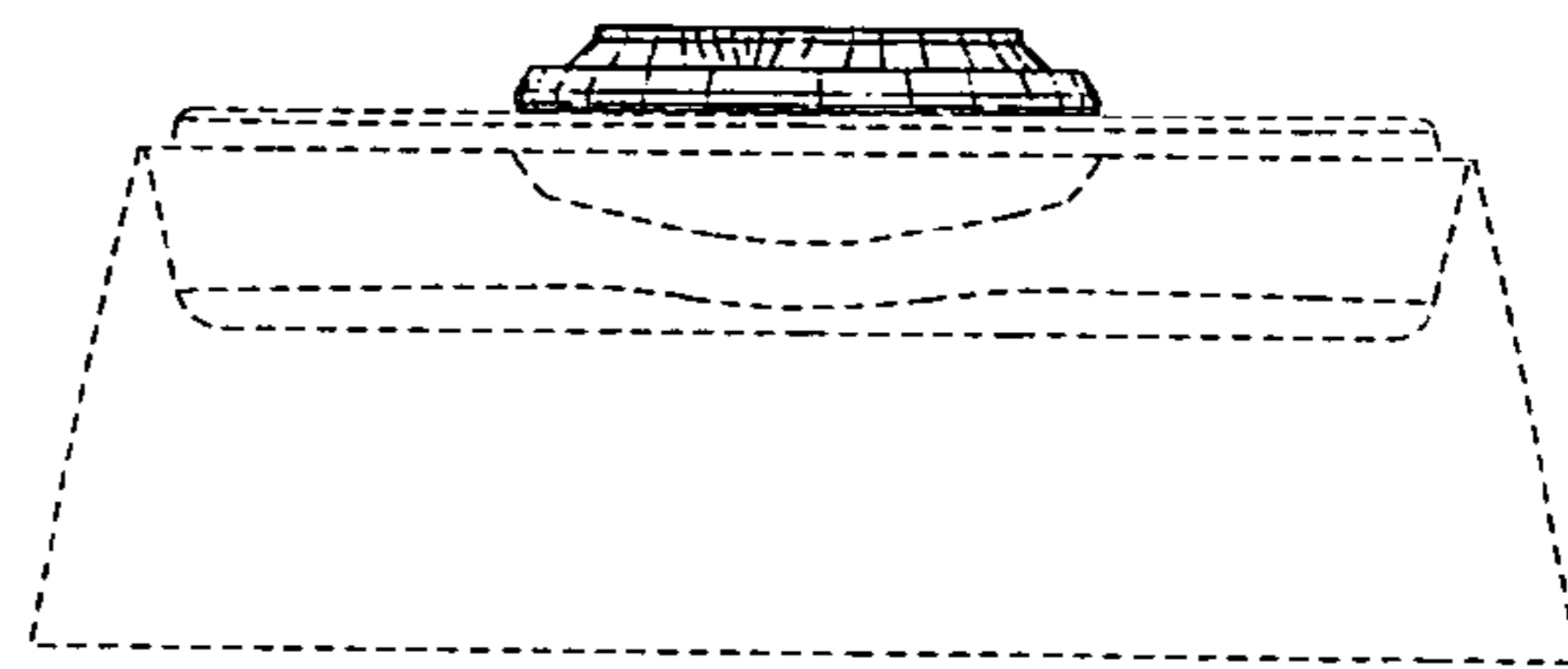


Fig. 6