



US00D569243S

(12) **United States Design Patent** (10) **Patent No.:** **US D569,243 S**
Kidd et al. (45) **Date of Patent:** **** May 20, 2008**

(54) **CONTAINER**
(75) Inventors: **Allen Kidd**, Placentia, CA (US);
Stephen P. Zapatka, Kingston, IL (US)
(73) Assignee: **Peninsula Packaging, LLC**, Exeter, CA
(US)
(**) Term: **14 Years**
(21) Appl. No.: **29/298,073**

5,758,791 A 6/1998 Mangla
D397,610 S * 9/1998 Cooper D9/425
D399,737 S * 10/1998 Zuhlke et al. D9/423
D409,485 S * 5/1999 Christy, Jr. D9/425
D424,933 S * 5/2000 Albright et al. D9/423
D490,309 S * 5/2004 Hayes et al. D9/425
6,845,878 B2 * 1/2005 Hayes et al. 220/839
7,100,788 B2 * 9/2006 Cadiente et al. 220/366.1
7,243,813 B2 7/2007 Krueger
7,246,714 B2 7/2007 Garg et al.
7,255,231 B2 8/2007 Andrews et al.

(22) Filed: **Nov. 28, 2007**
(51) **LOC (8) Cl.** **09-03**
(52) **U.S. Cl.** **D9/425; D9/427**
(58) **Field of Classification Search** D9/414-424,
D9/428, 430-435, 450, 456, 503, 523-525,
D9/715, 719; D3/203.1-203.4, 206, 270,
D3/294; D19/51, 84-85; D30/101; 220/253,
220/254.2, 326, 507, 825, 835, 263, 266,
220/787; 206/497, 533-534, 538, 583, 783,
206/515; 229/120.12, 123.2-123.3, 125.13-125.14;
D7/360, 538-540, 587, 391, 543, 500, 629,
D7/602
See application file for complete search history.

* cited by examiner

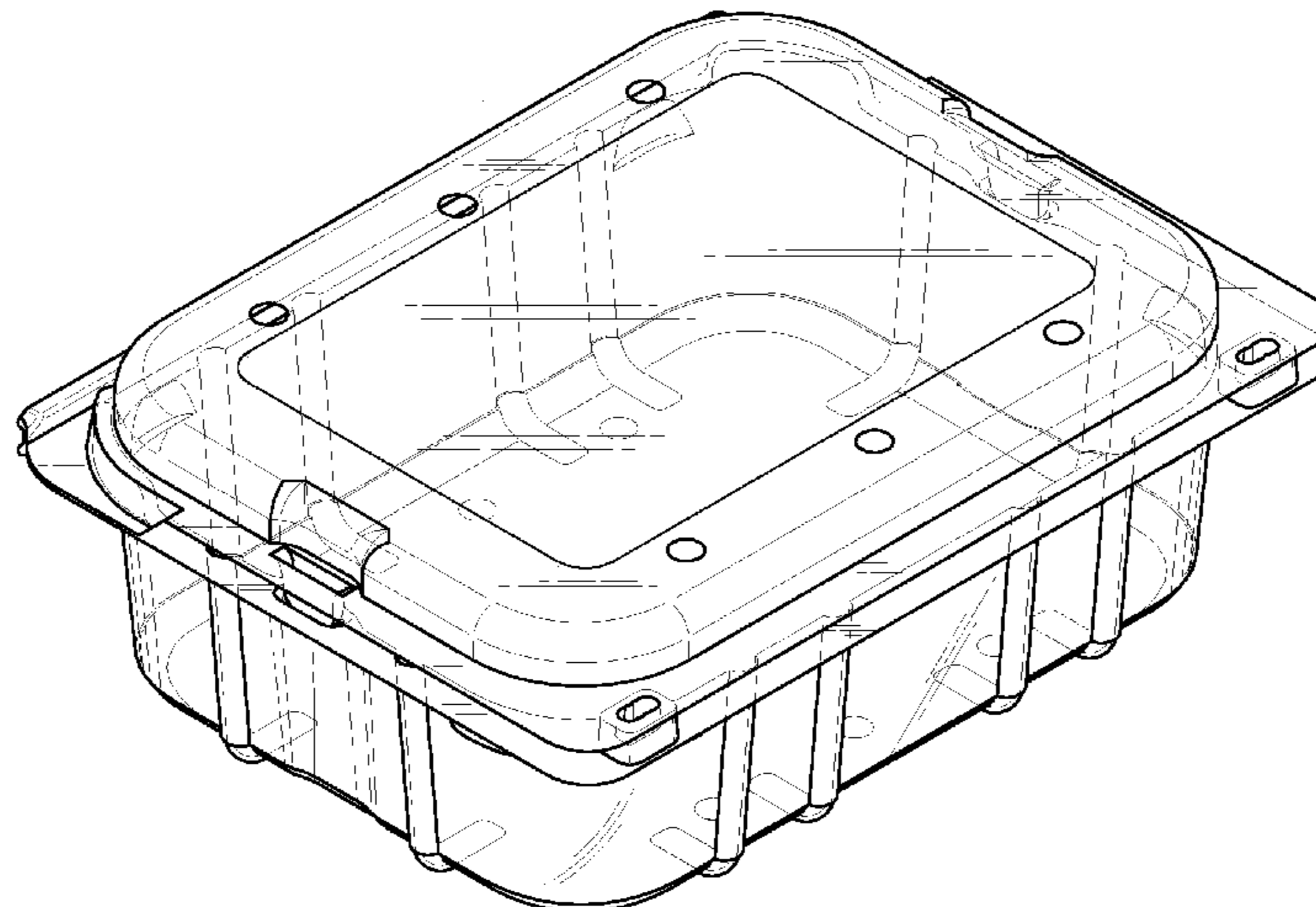
Primary Examiner—Robert M. Spear
Assistant Examiner—Susan E Krakower
(74) *Attorney, Agent, or Firm*—Loza & Loza, LLP; Heidi L. Eisenhut

(56) **References Cited**
U.S. PATENT DOCUMENTS
3,104,044 A * 9/1963 Reifers 229/407
5,046,659 A * 9/1991 Warburton 220/4.22
D343,576 S * 1/1994 Krupa D9/423
D361,036 S * 8/1995 Krupa D9/424
D363,879 S * 11/1995 Krupa et al. D9/423
D377,450 S * 1/1997 Krupa et al. D9/425
D378,192 S * 2/1997 Krupa et al. D9/425
D382,795 S * 8/1997 Abayhan et al. D9/425
5,653,345 A 8/1997 Knoss et al.
D383,670 S * 9/1997 Gubeli D9/425
D385,784 S * 11/1997 Krupa et al. D9/425
D394,985 S * 6/1998 Curtis et al. D7/538

(57) **CLAIM**
The ornamental design of a container, as shown and described.

DESCRIPTION
FIG. 1 is a perspective view of a container of the present invention in a closed configuration;
FIG. 2 is a top plan view of the container of FIG. 1 in a closed configuration;
FIG. 3 is an enlarged front elevational view of the container of FIG. 1 in a closed configuration;
FIG. 4 is an enlarged left side elevational view of the container of FIG. 1 in a closed configuration, the other side being a mirror image thereof;
FIG. 5 is an enlarged rear elevational view of the container of FIG. 1 in a closed configuration; and,
FIG. 6 is a bottom plan view of the container of FIG. 1 in a closed configuration.

1 Claim, 6 Drawing Sheets



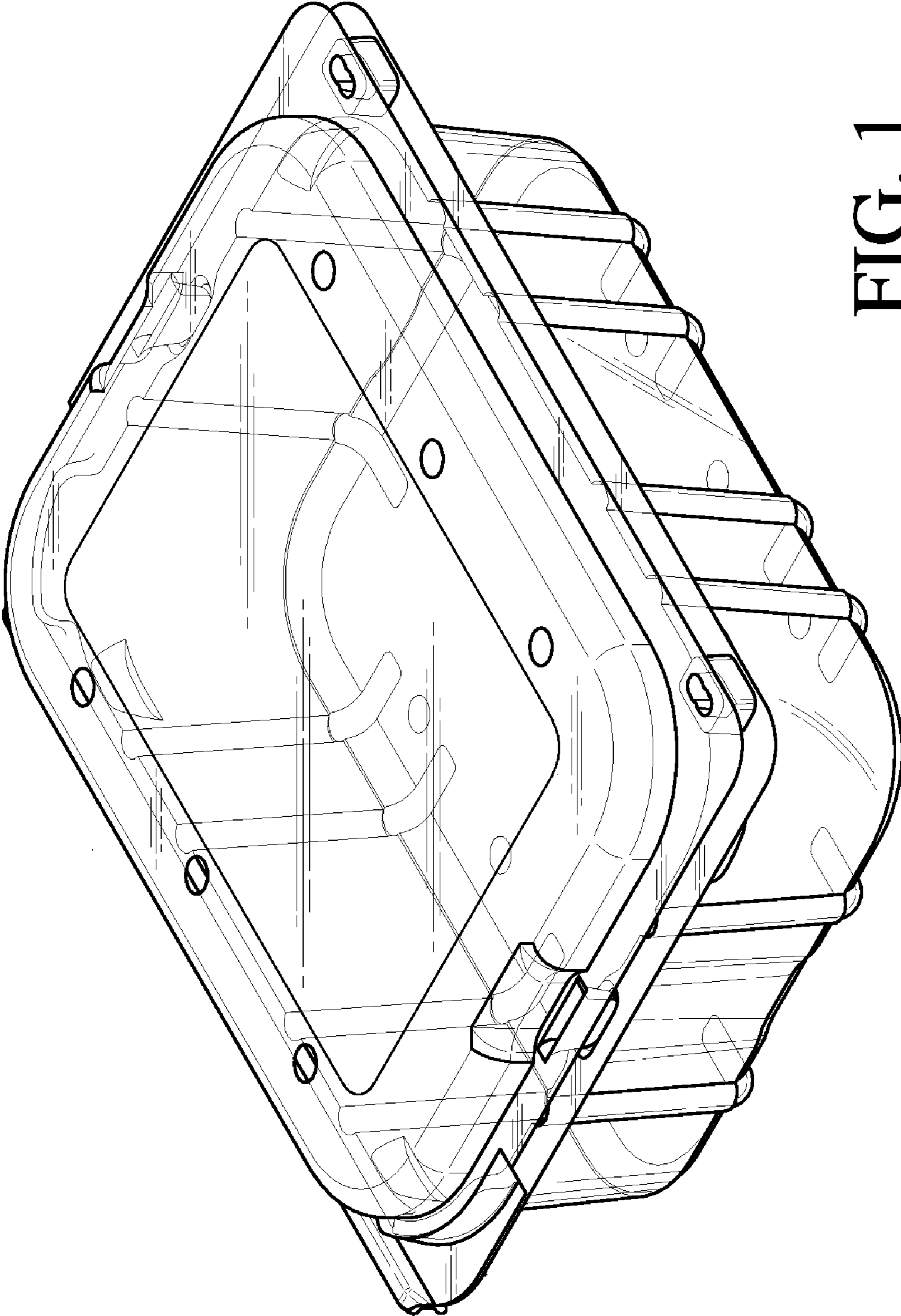


FIG. 1

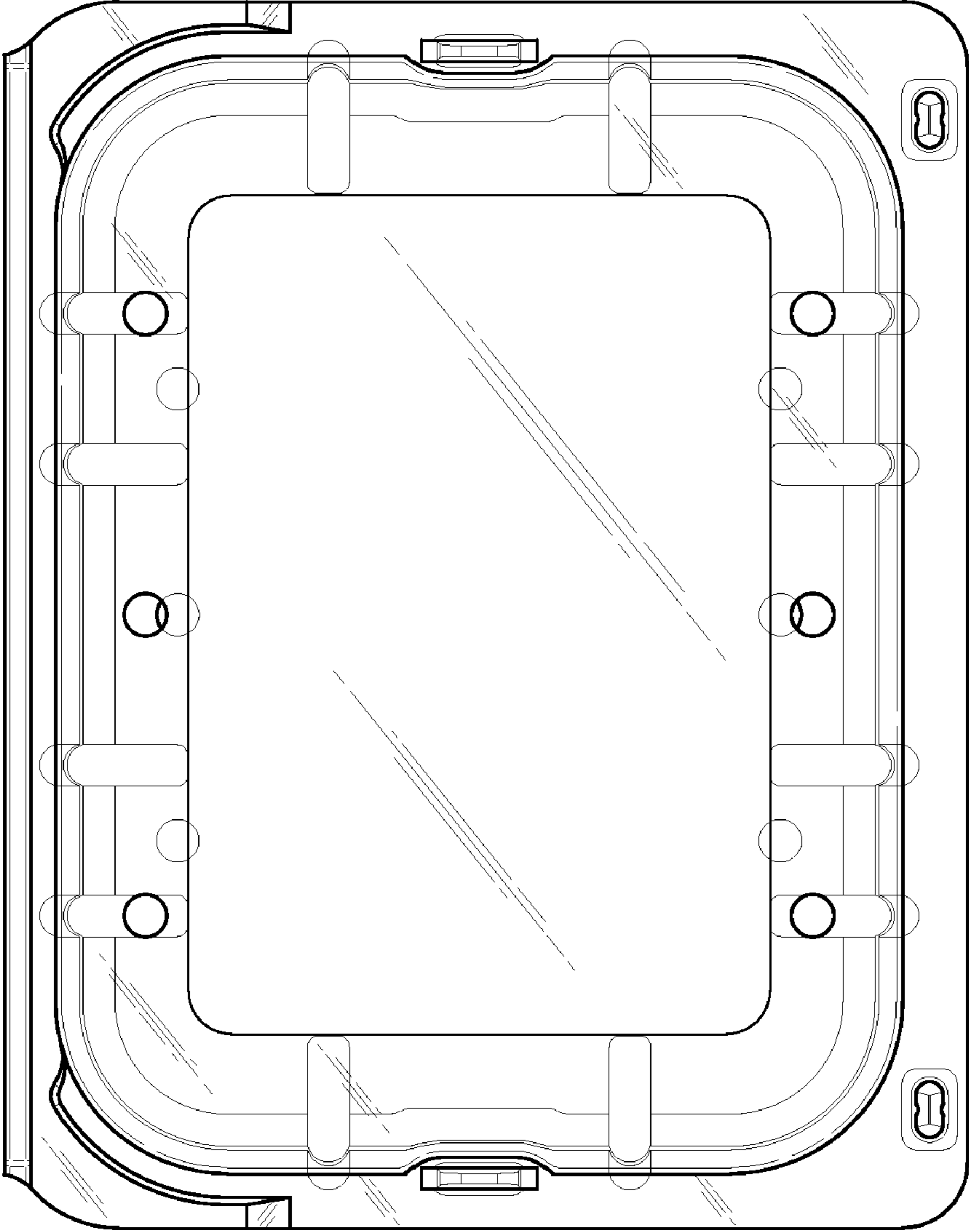


FIG. 2

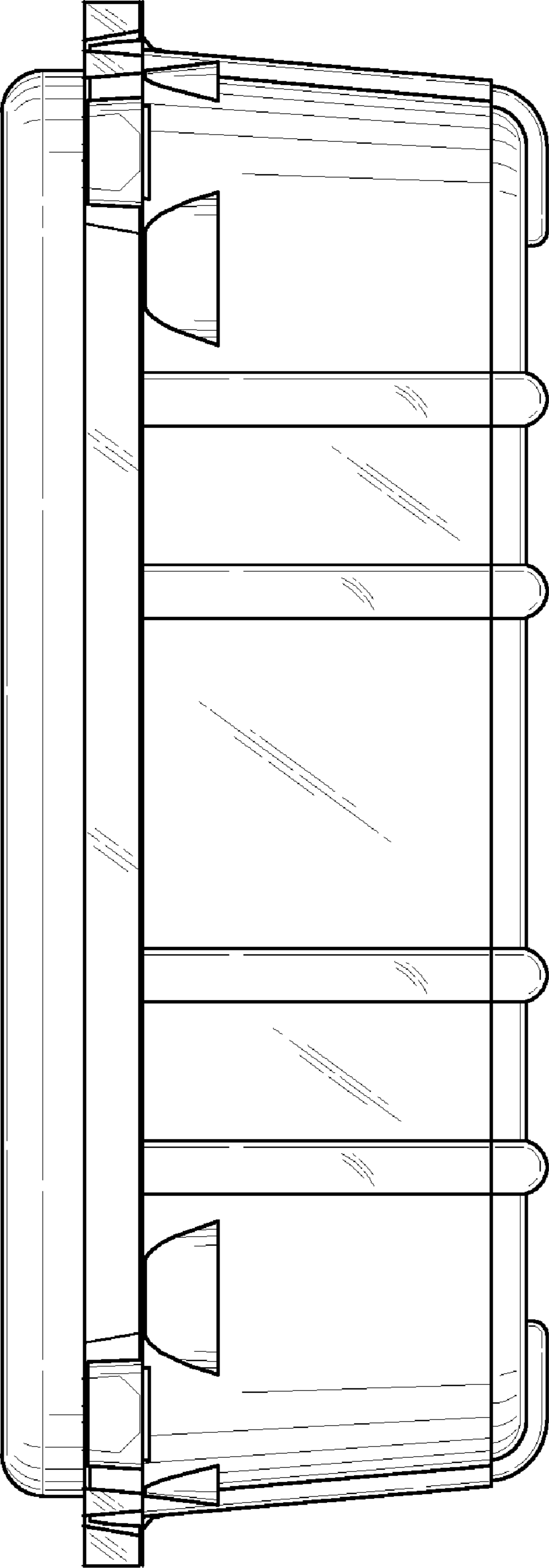


FIG. 3

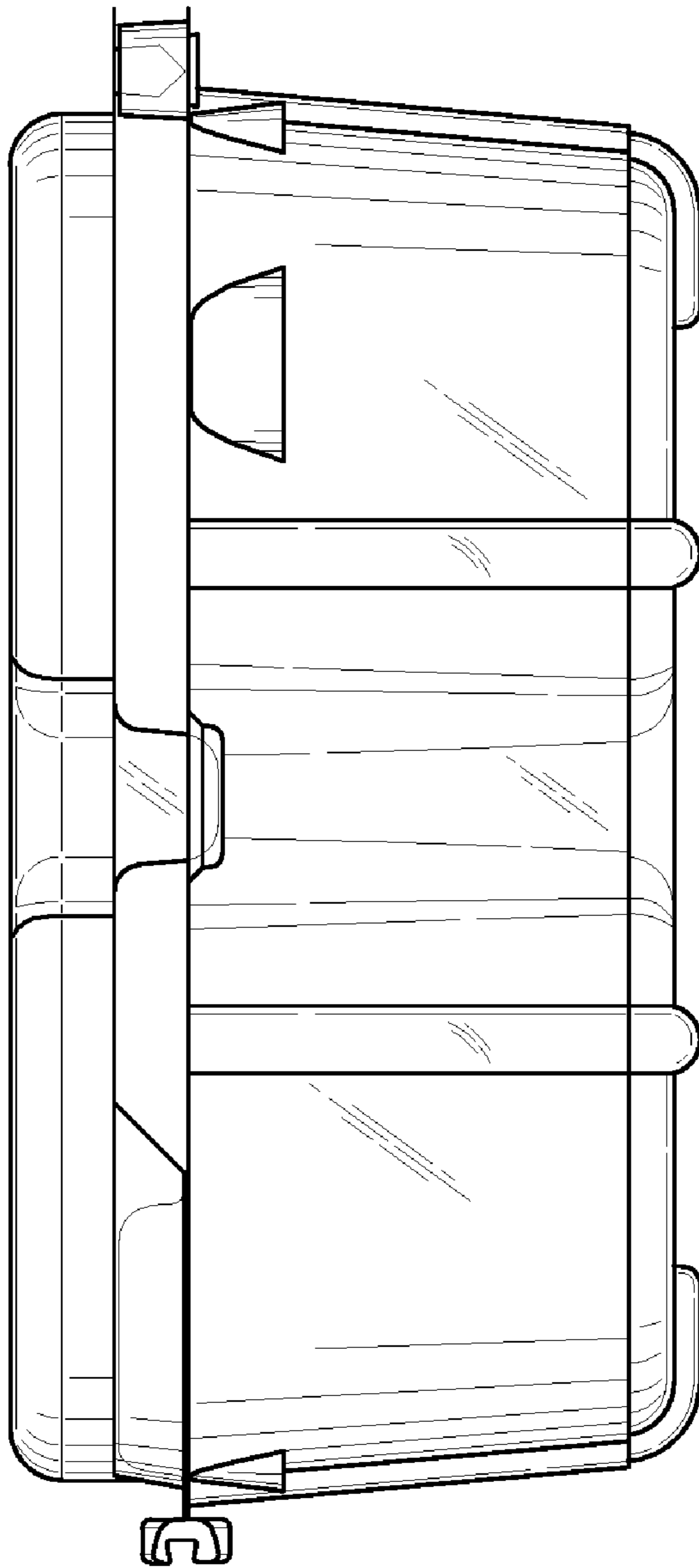


FIG. 4

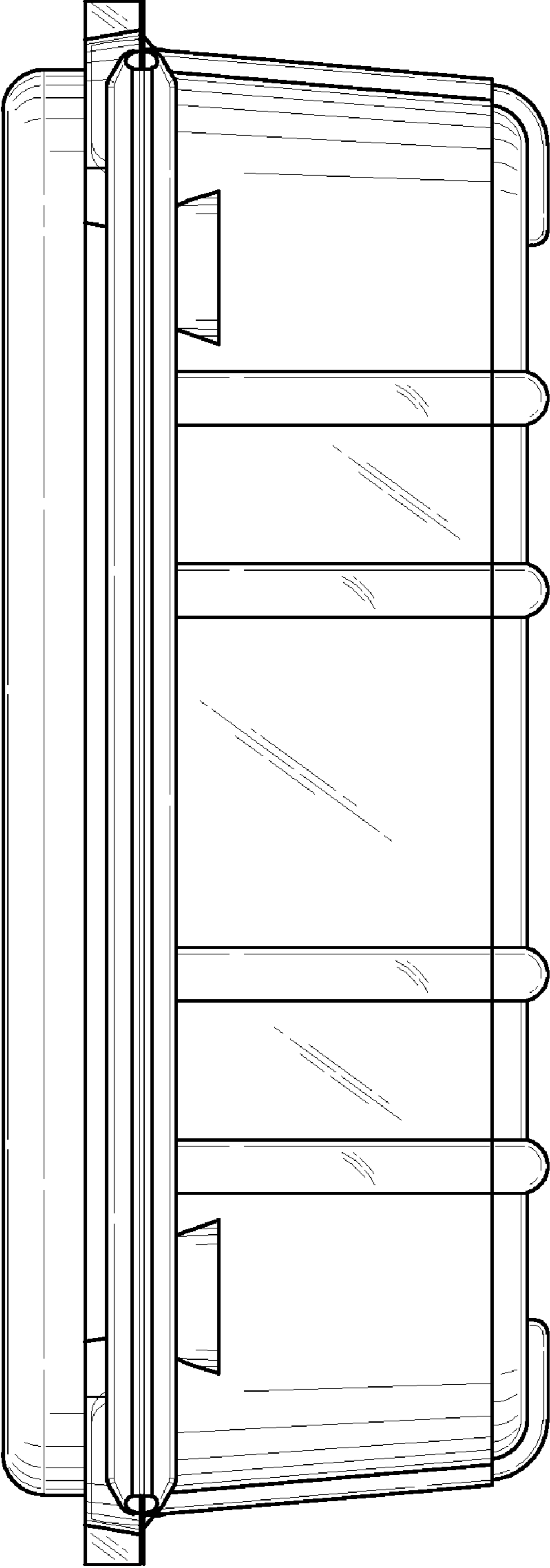


FIG. 5

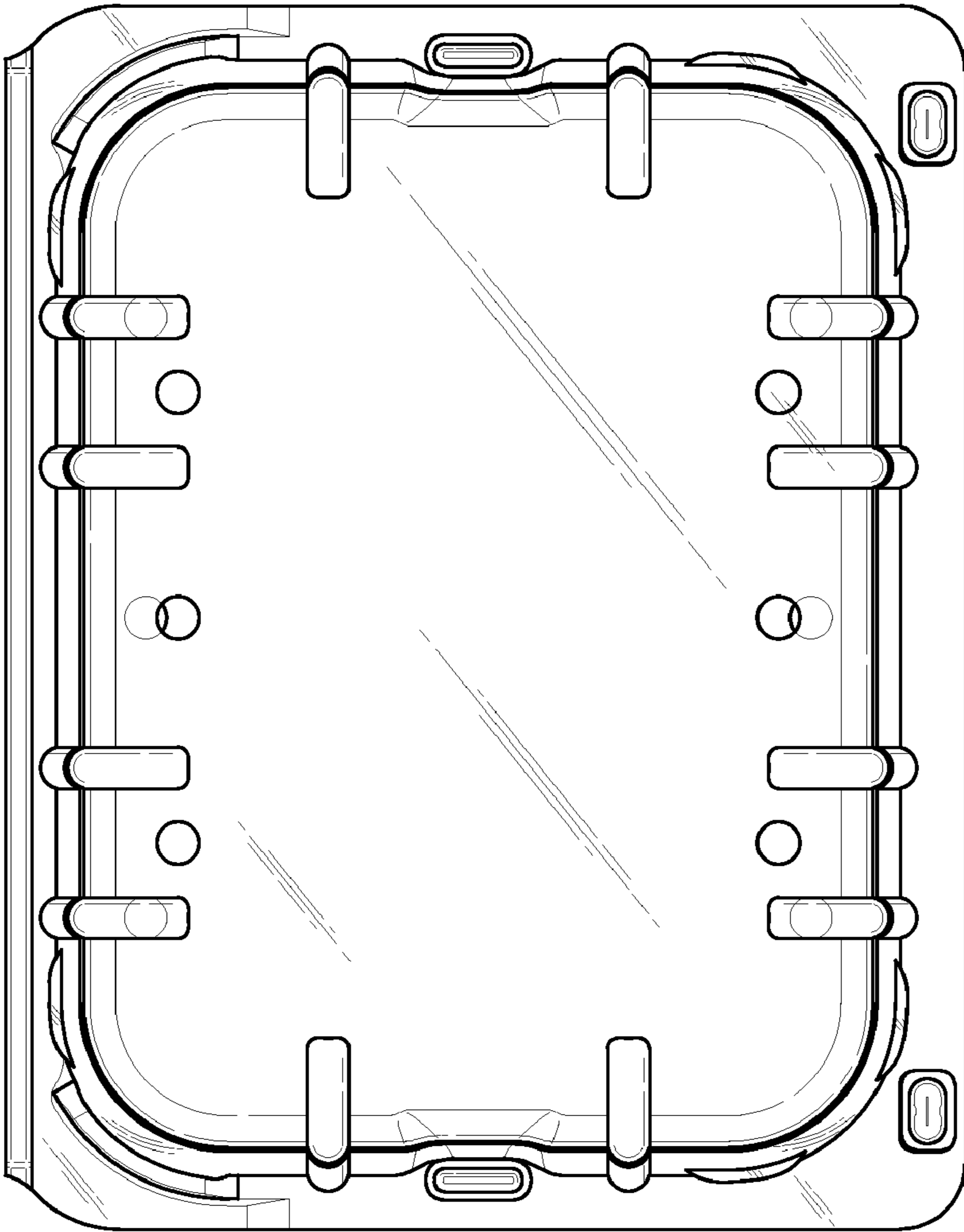


FIG. 6