

US00D569240S

(12) **United States Design Patent**
Aoki et al.

(10) **Patent No.:** **US D569,240 S**

(45) **Date of Patent:** **** May 20, 2008**

(54) **FIXING ARTICLE FOR FLOOR MAT OF AUTOMOBILE**

4,425,690 A * 1/1984 Fraser et al. 24/351
2007/0011844 A1 1/2007 Aoki et al.

* cited by examiner

(75) Inventors: **Ryou Aoki**, Kanagawa-ken (JP);
Kazunori Kanda, Hiroshima (JP);
Kouji Ogata, Hiroshima (JP)

Primary Examiner—Holly H. Baynham
(74) *Attorney, Agent, or Firm*—McGinn IP Law Group,
PLLC

(73) Assignees: **Piolax, Inc.**, Yokohama-Shi,
Kanagawa-Ken (JP); **Mazda Motor Corporation**, Aki-Gun, Hiroshima (JP)

(57) **CLAIM**

(**) Term: **14 Years**

The ornamental design for fixing article for floor mat of automobile, as shown and described.

(21) Appl. No.: **29/244,720**

DESCRIPTION

(22) Filed: **Dec. 14, 2005**

FIG. 1 is a perspective view of the front, right and top of a fixing article for floor mat of automobile showing our new design;

(30) **Foreign Application Priority Data**

Jul. 15, 2005 (JP) 2005-020790

FIG. 2 is a front view thereof;

(51) **LOC (8) Cl.** **08-08**

(52) **U.S. Cl.** **D8/382**

(58) **Field of Classification Search** D8/382-383;
24/351, 363; 16/4

FIG. 3 is a rear view thereof;

FIG. 4 is a top plan view thereof;

FIG. 5 is a bottom view thereof; and,

FIG. 6 is a right side view thereof.

See application file for complete search history.

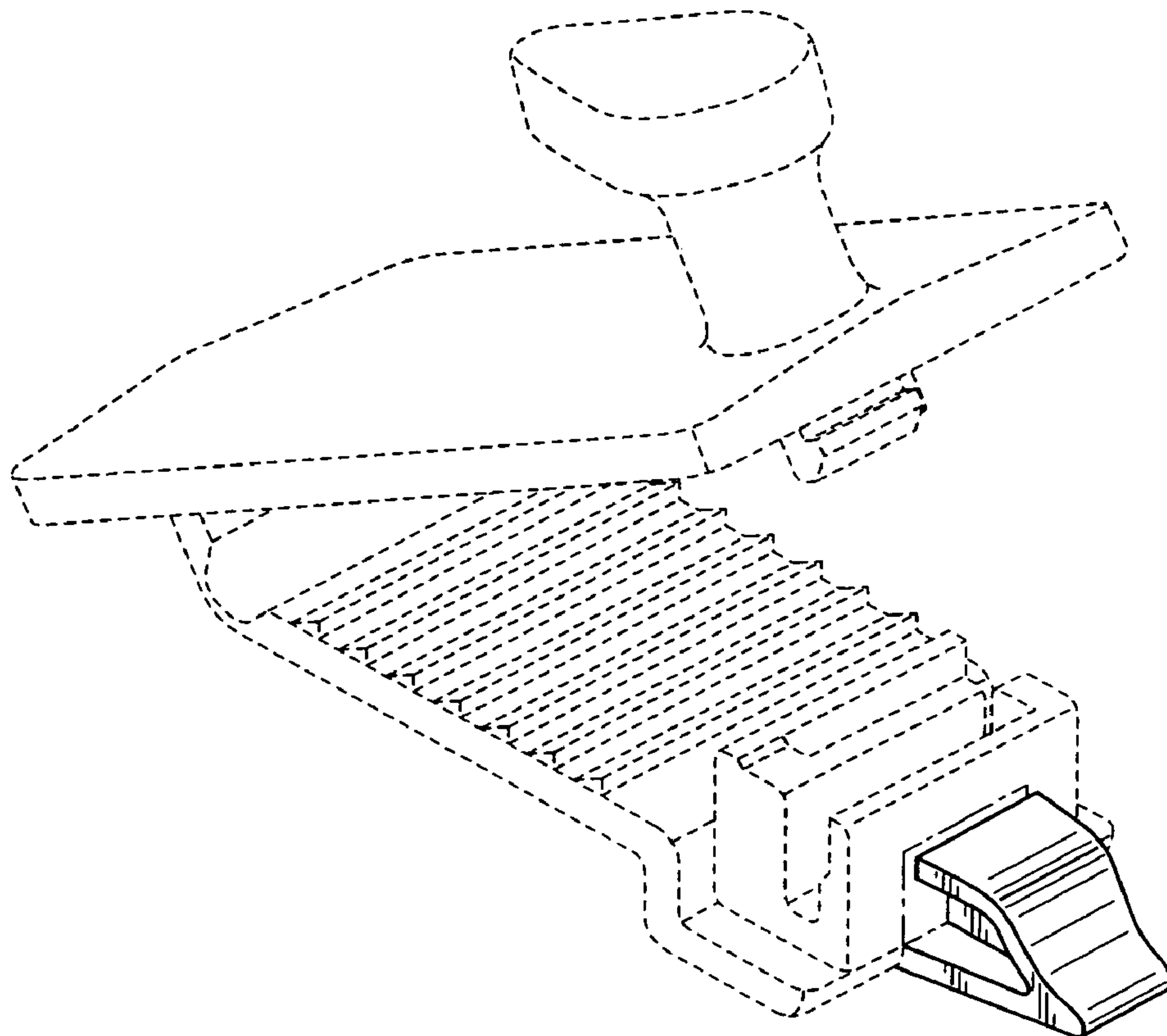
The elements shown in broken lines are for illustrative purposes only and form no part of the claimed design. And the dot-dash broken lines define the boundaries of the claimed portion and the non-claimed portion.

(56) **References Cited**

U.S. PATENT DOCUMENTS

1,860,384 A * 5/1932 Cocks 211/30

1 Claim, 4 Drawing Sheets



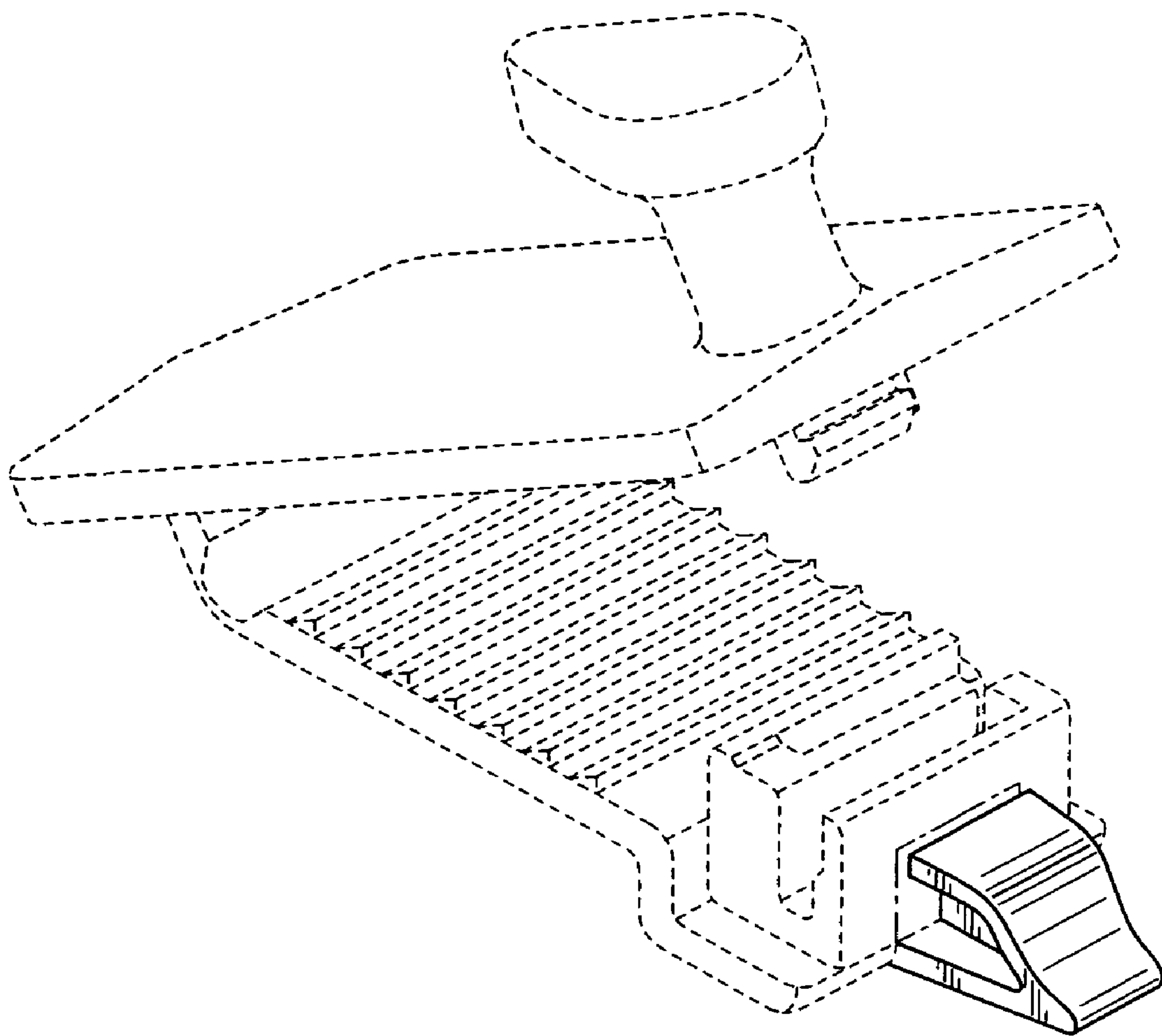


FIG. 1

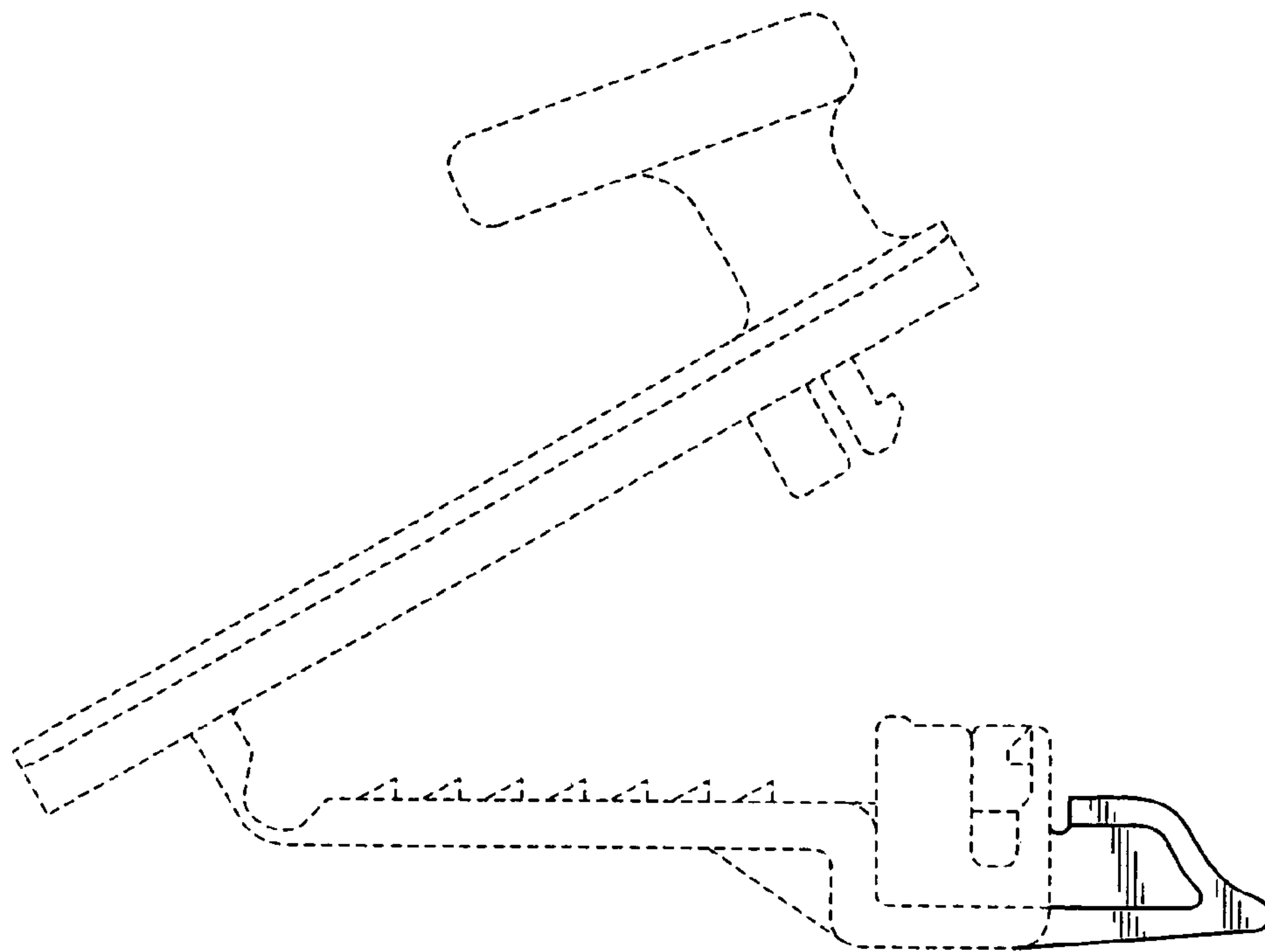


FIG. 2

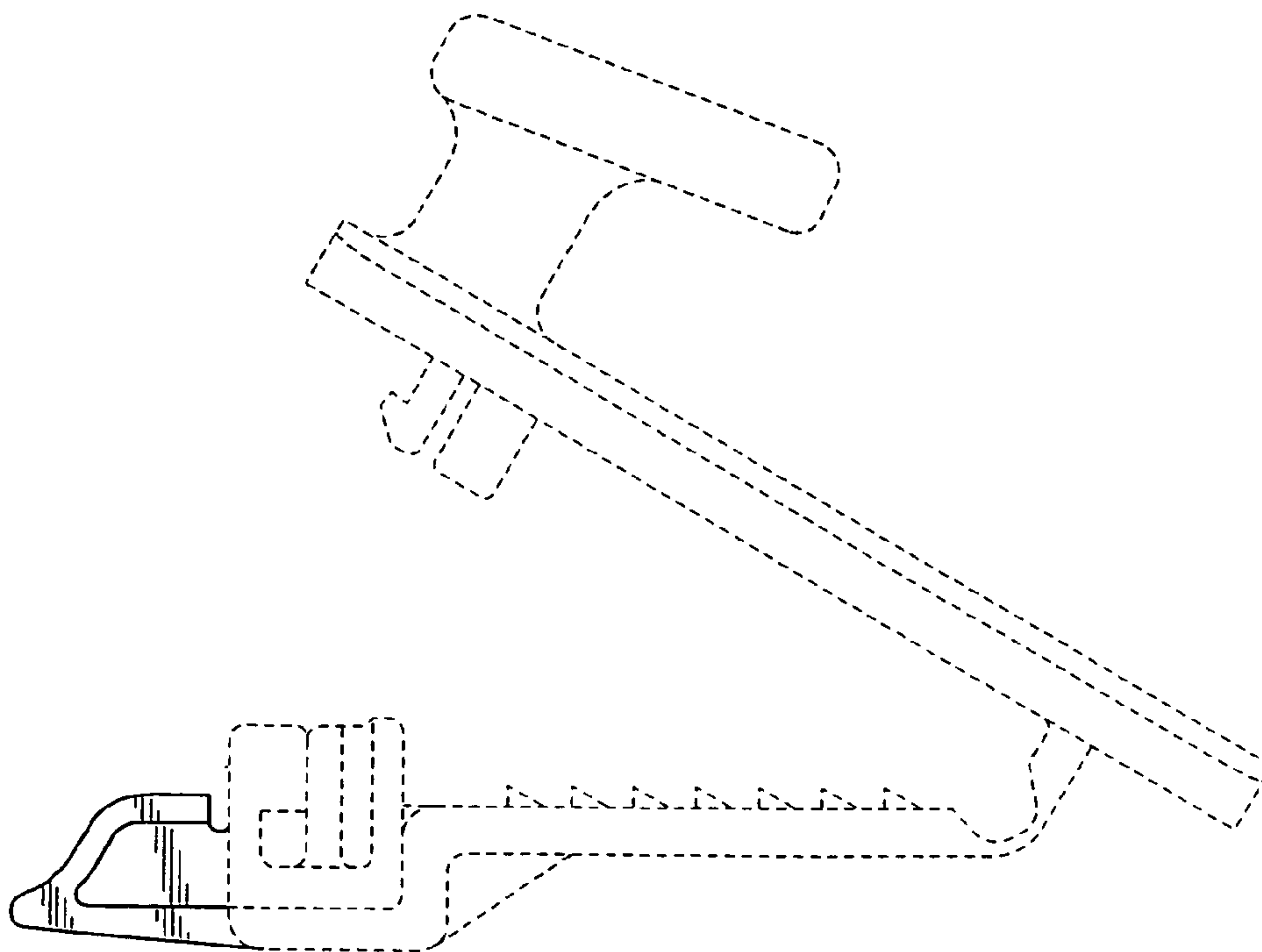


FIG. 3

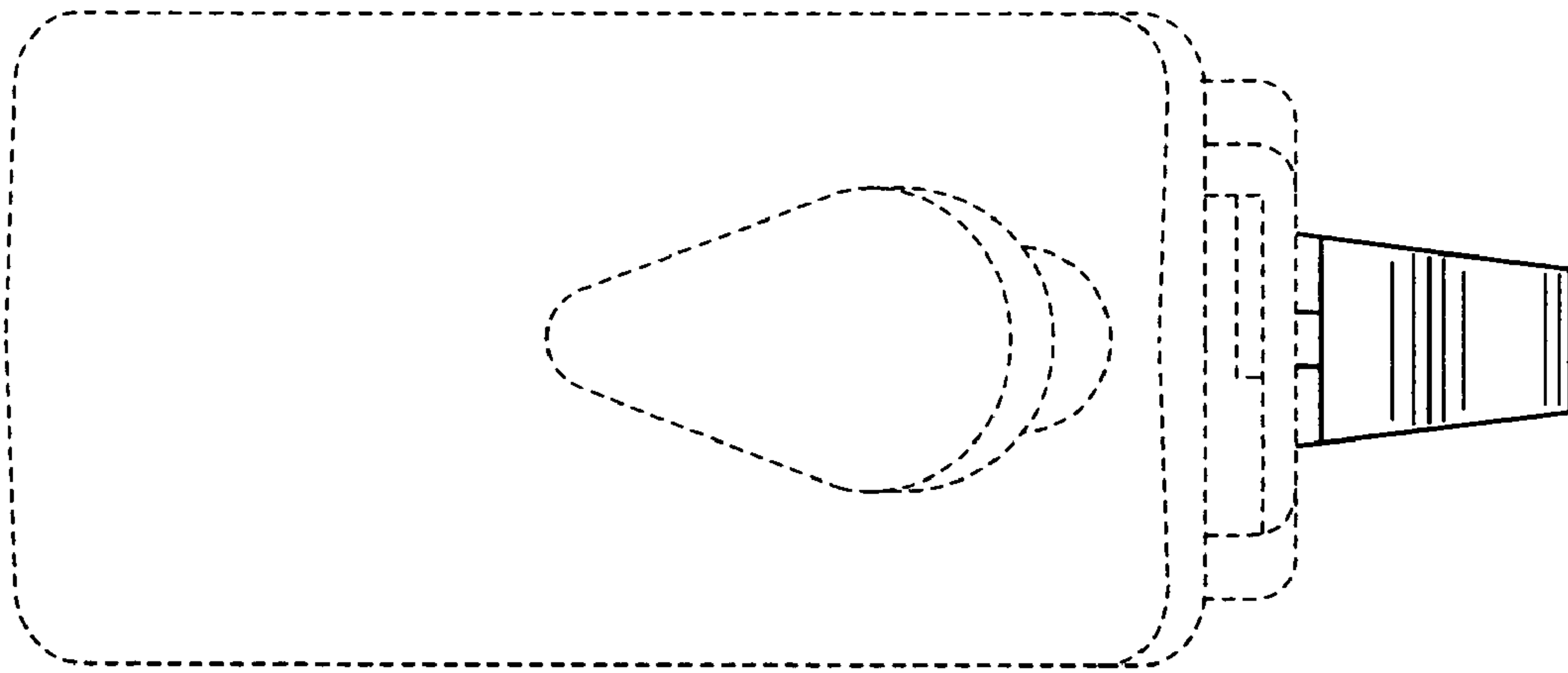


FIG. 4

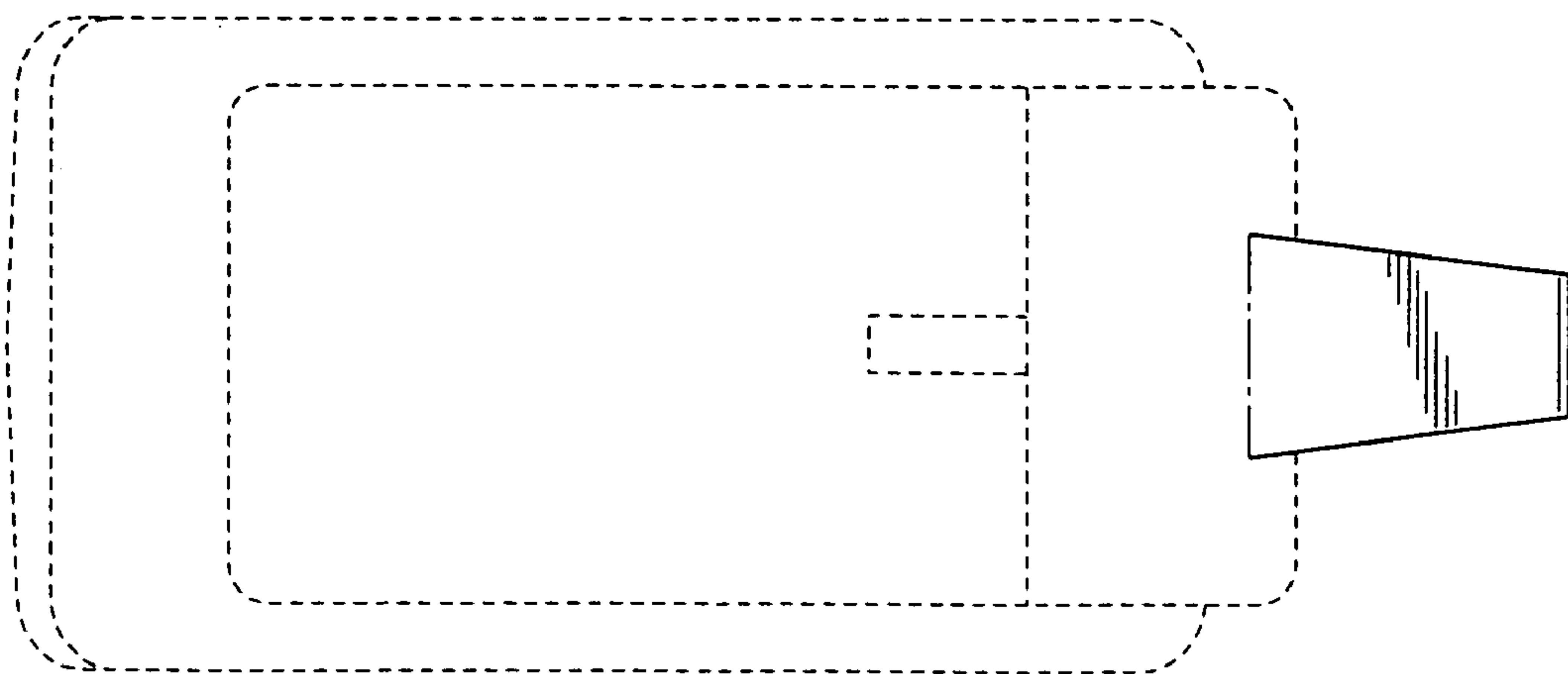


FIG. 5

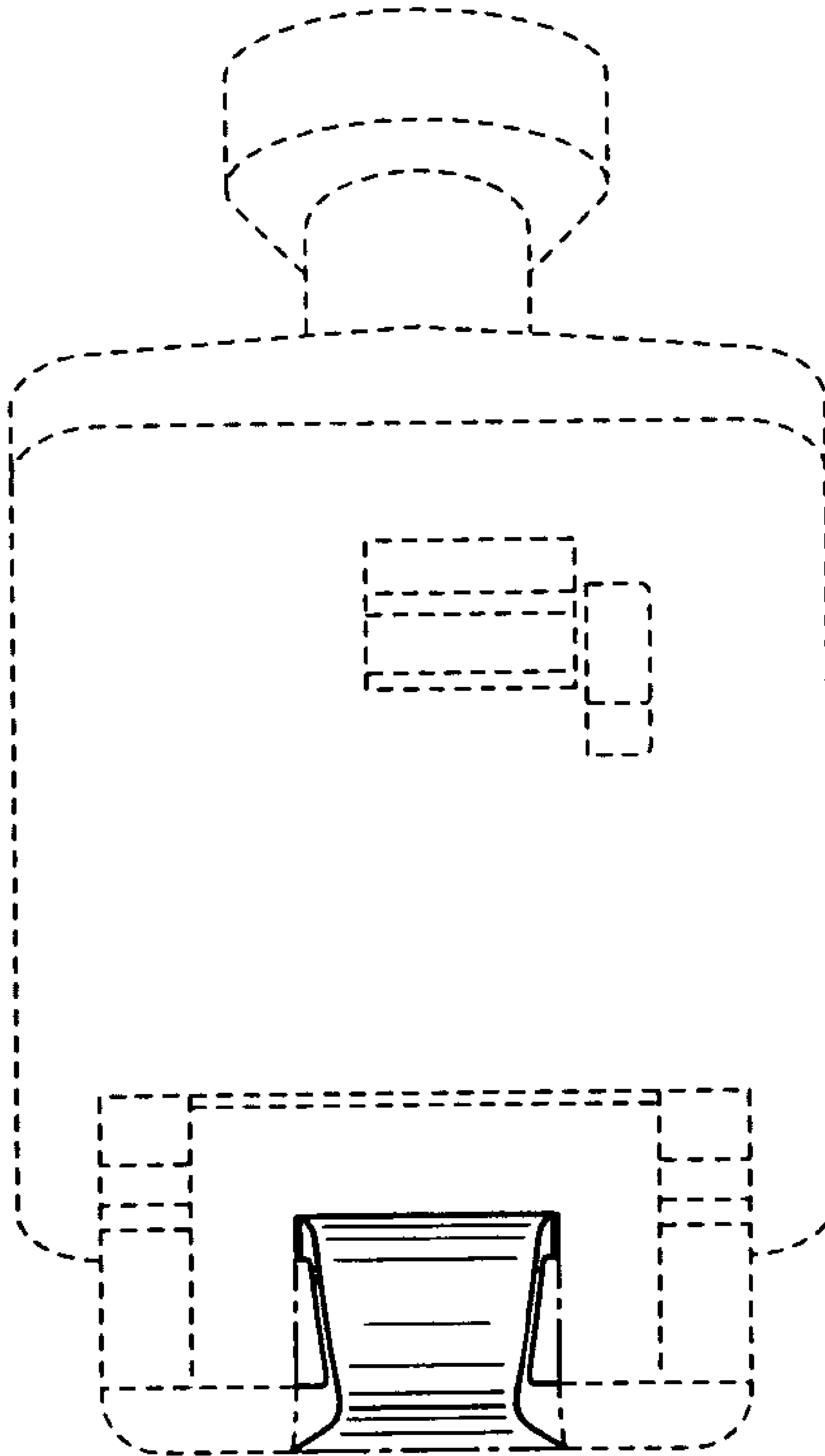


FIG. 6