

US00D569237S

(12) **United States Design Patent**  
**Wu**

(10) **Patent No.:** **US D569,237 S**

(45) **Date of Patent:** **\*\* May 20, 2008**

(54) **CURTAIN RUNNER**

(75) Inventor: **Wen-Yu Wu**, Kaohsiung (TW)

(73) Assignee: **Bao Song Precision Industry Co., Ltd.**, Kaohsiung (TW)

(\*\*) Term: **14 Years**

(21) Appl. No.: **29/274,108**

(22) Filed: **Mar. 28, 2007**

(51) **LOC (8) Cl.** ..... **08-05**

(52) **U.S. Cl.** ..... **D8/367**

(58) **Field of Classification Search** ..... D8/354,  
D8/355, 356, 367, 376, 377, 378, 379; 211/94,  
211/113, 123, 162, 377; 16/87.2, 87.4 R,  
16/87.8, 93 D, 98, 102; 160/84.01, 123,  
160/330, 345, 348; 24/306, 442, 452, 446,  
24/716

See application file for complete search history.

(56) **References Cited**

**U.S. PATENT DOCUMENTS**

1,503,578 A \* 8/1924 Wilson ..... 16/87.8  
D256,987 S \* 9/1980 Miki ..... D8/367  
D256,988 S \* 9/1980 Miki ..... D8/367

4,240,178 A \* 12/1980 Miki ..... 16/93 D  
4,525,893 A \* 7/1985 Fukada ..... 16/102  
4,675,939 A \* 6/1987 Fukada ..... 16/87.2  
6,382,297 B1 \* 5/2002 Takizawa et al. .... 160/330

\* cited by examiner

*Primary Examiner*—T. Chase Nelson

*Assistant Examiner*—Barbara B Lohr

(74) *Attorney, Agent, or Firm*—Troxell Law Office, PLLC

(57) **CLAIM**

The ornamental design for a curtain runner, as shown and described.

**DESCRIPTION**

FIG. 1 is a perspective view of a curtain runner showing my new design;

FIG. 2 is a front view of the article shown in FIG. 1;

FIG. 3 is a rear view of the article shown in FIG. 1;

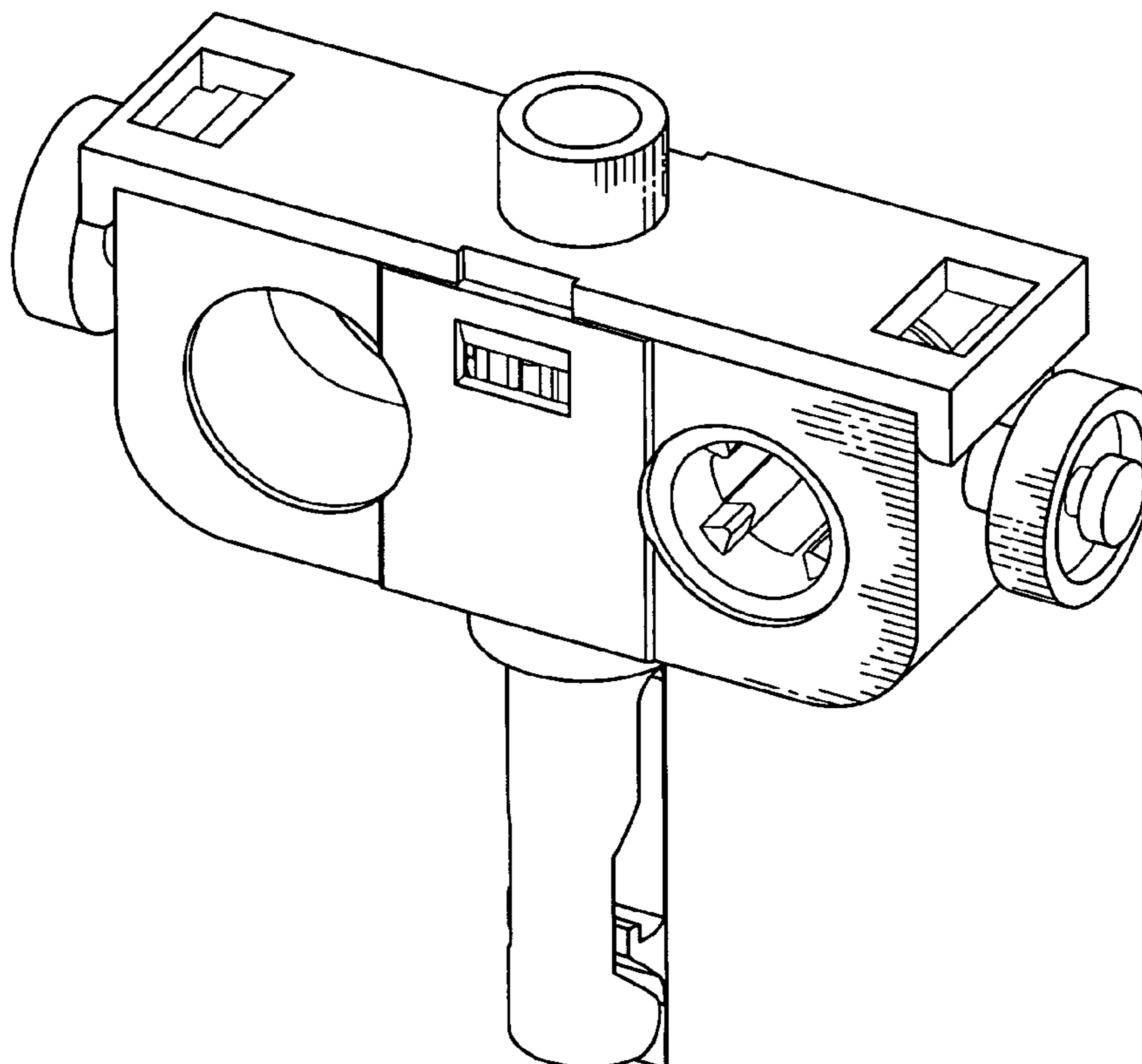
FIG. 4 is a left side view of the article shown in FIG. 1;

FIG. 5 is a right side view of the article shown in FIG. 1;

FIG. 6 is a top view of the article shown in FIG. 1; and,

FIG. 7 is a bottom view of the article shown in FIG. 1.

**1 Claim, 4 Drawing Sheets**



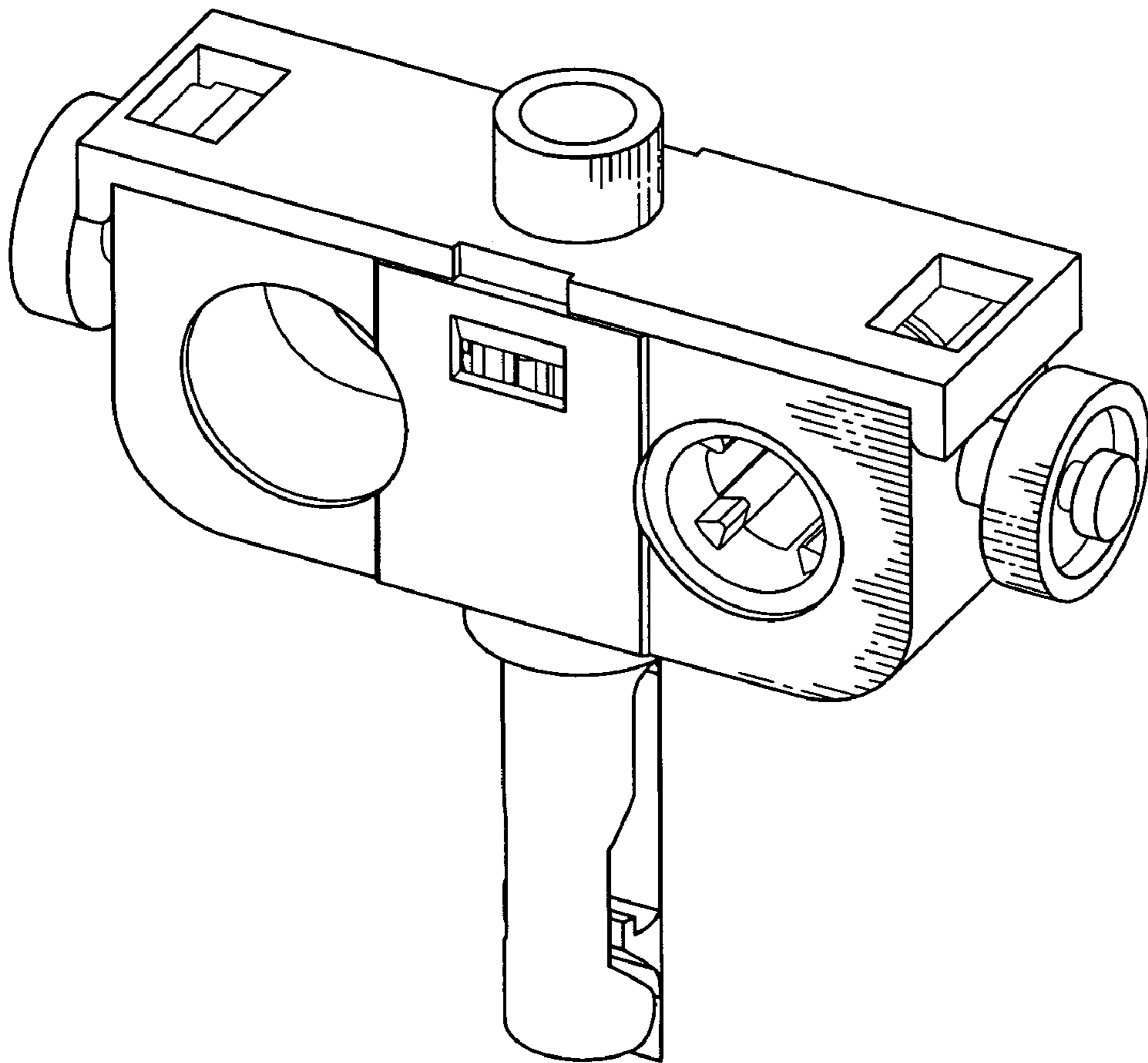


FIG. 1

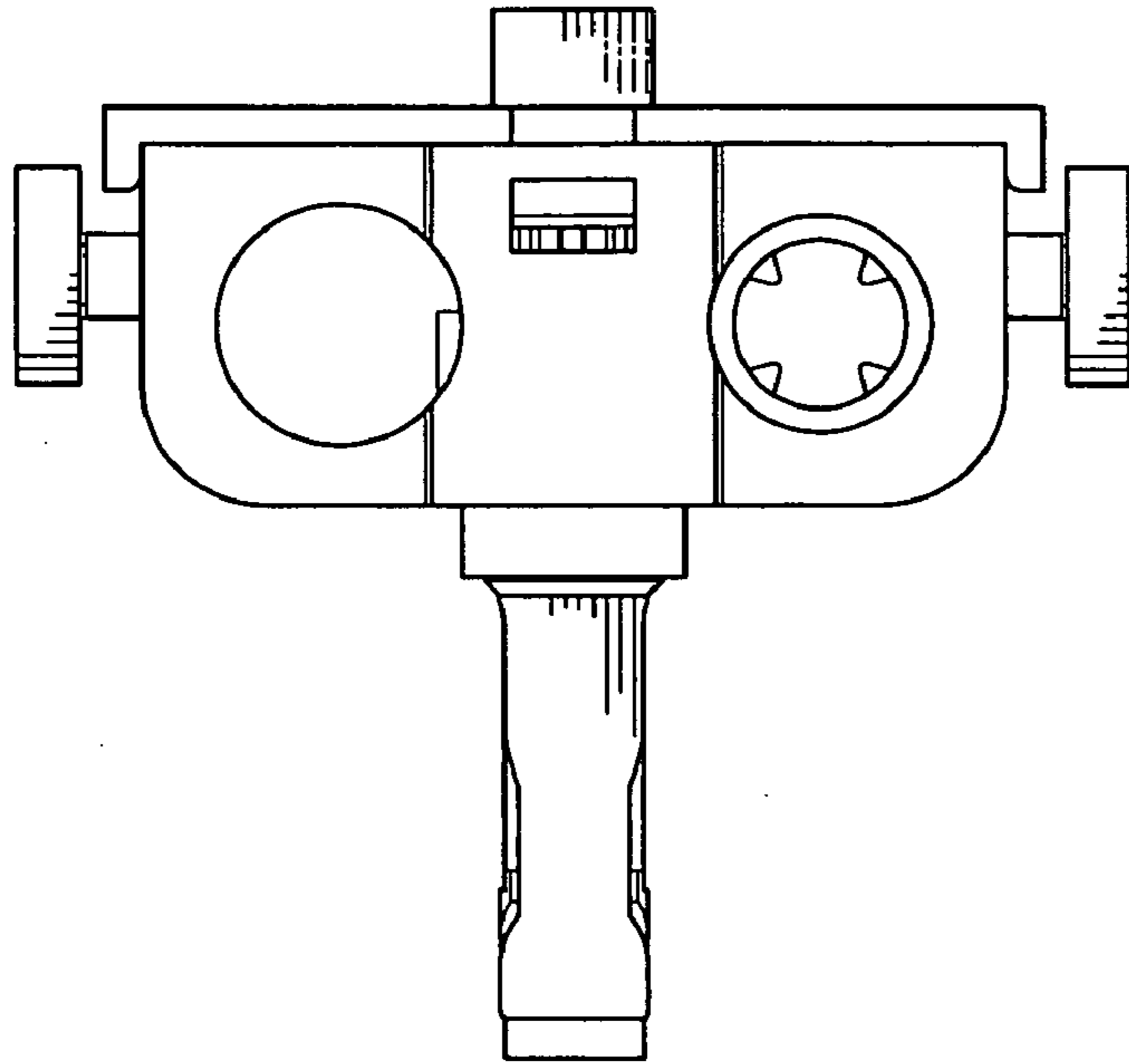


FIG. 2

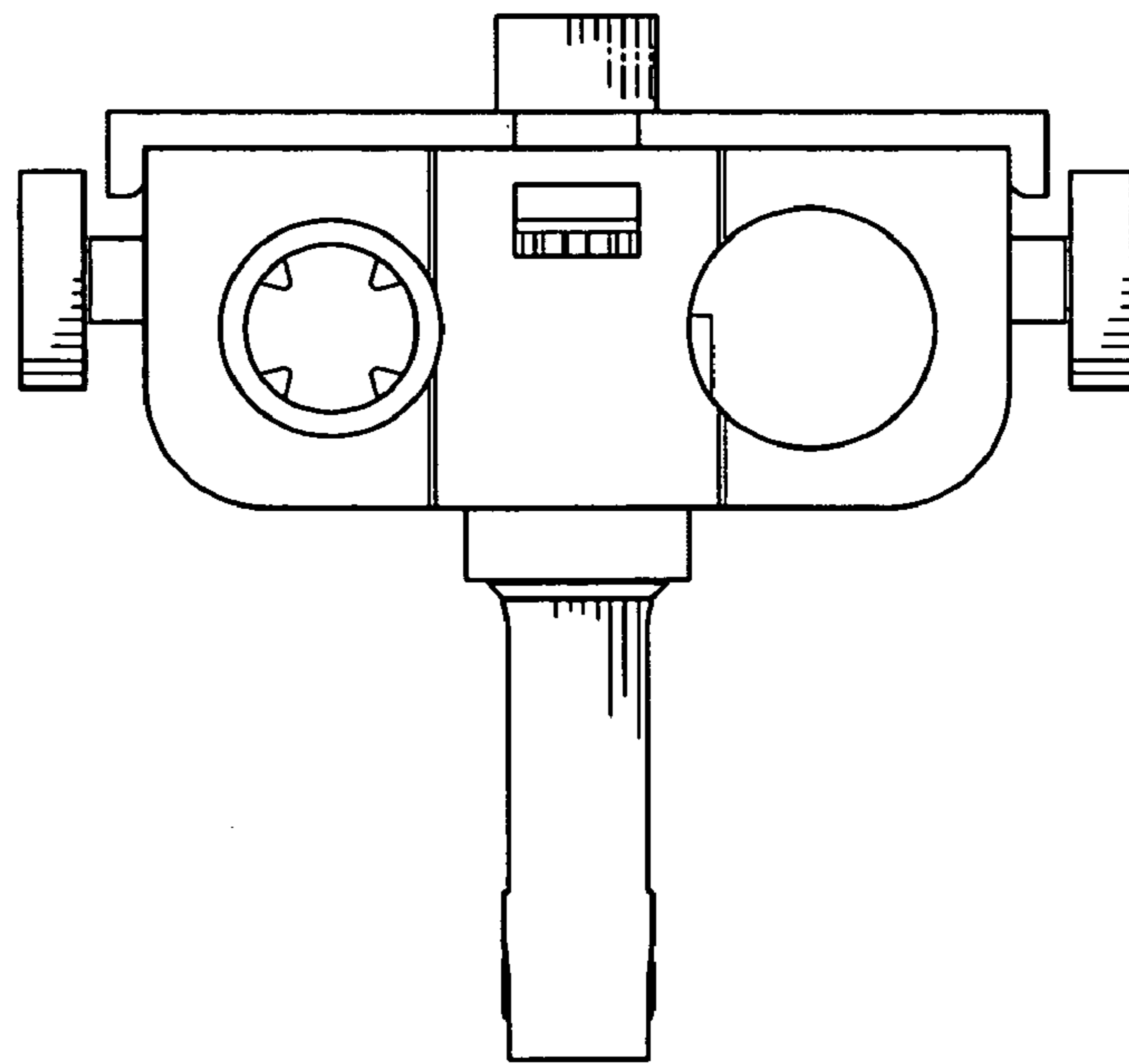


FIG. 3

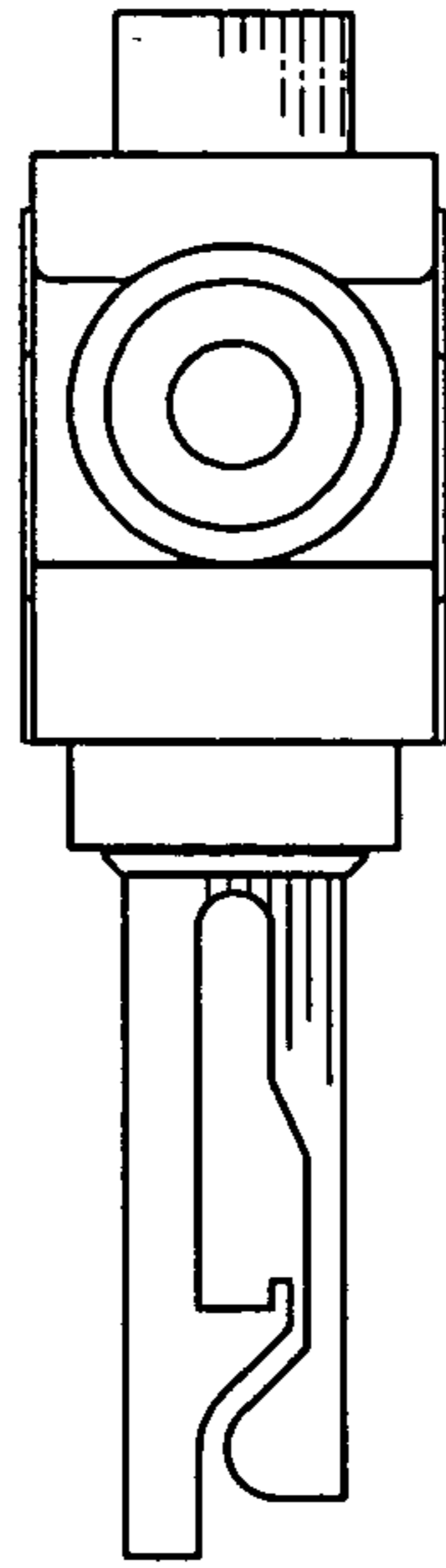


FIG. 4

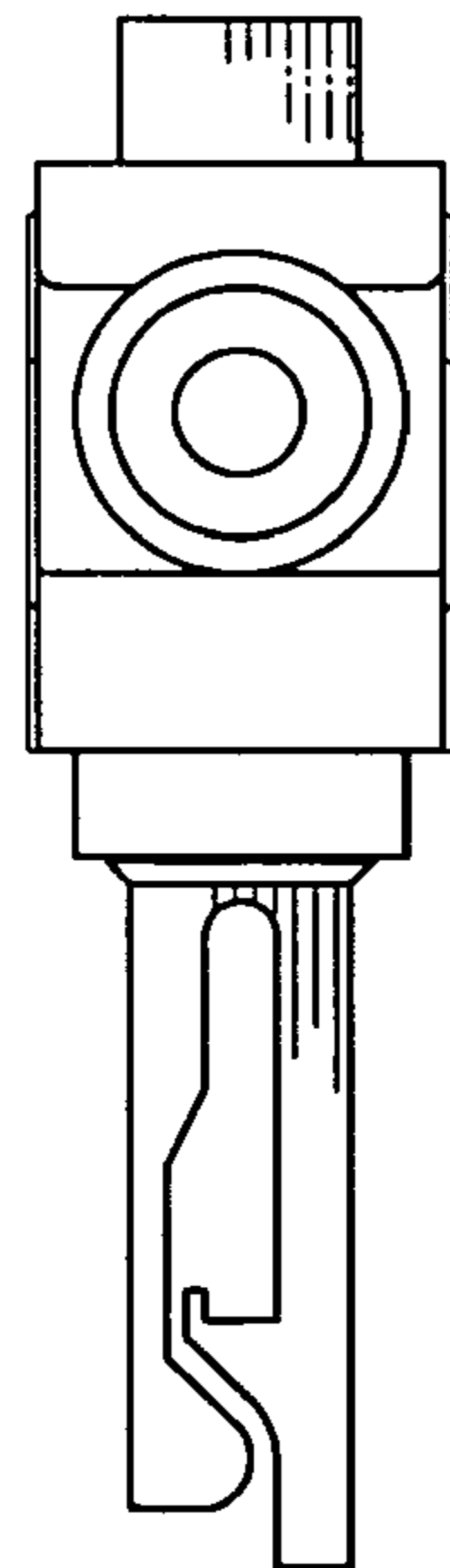


FIG. 5

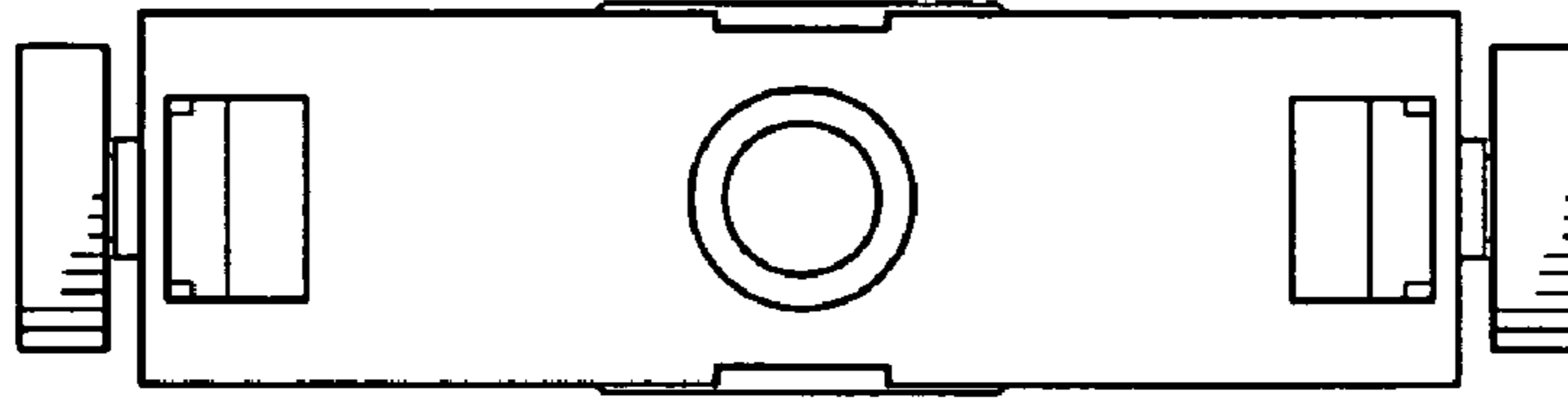


FIG. 6

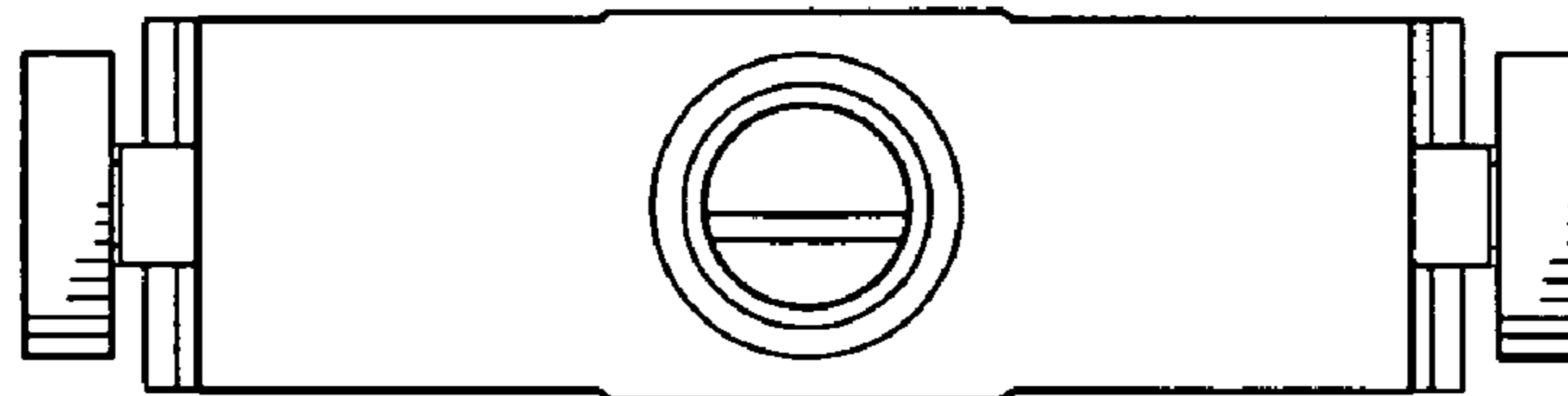


FIG. 7