



US00D569234S

(12) **United States Design Patent**
Young, IV

(10) **Patent No.:** **US D569,234 S**

(45) **Date of Patent:** **** May 20, 2008**

(54) **CABLE MANAGEMENT APPARATUS**

D561,566 S * 2/2008 Perez Delgado D8/358

(75) Inventor: **James Arthur Young, IV**, Everett, WA (US)

* cited by examiner

Primary Examiner—Brian N Vinson

(73) Assignee: **Slam Brands, Inc.**, Redmond, WA (US)

(74) *Attorney, Agent, or Firm*—Amin, Turocy & Calvin, LLP; Thomas E. Watson

(**) Term: **14 Years**

(57) **CLAIM**

(21) Appl. No.: **29/296,327**

The ornamental design for a cable management apparatus, as shown and described.

(22) Filed: **Oct. 18, 2007**

(51) **LOC (8) Cl.** **08-05**

(52) **U.S. Cl.** **D8/358; D13/154**

(58) **Field of Classification Search** D13/133, D13/154, 156, 157, 184, 137.4; D8/358, D8/359; 174/66; 439/4, 134, 149, 501, 439/521, 528; 242/400.1, 608.6

See application file for complete search history.

DESCRIPTION

FIG. 1 is a perspective view of a design for a cable management apparatus;

FIG. 2 is a front view of the design for the cable management apparatus shown in FIG. 1;

FIG. 3 is a back view of the design for the cable management apparatus shown in FIG. 1;

FIG. 4 is a first side view of the design for the cable management apparatus shown in FIG. 1; and,

FIG. 5 is a second side view of the design for the cable management apparatus shown in FIG. 1.

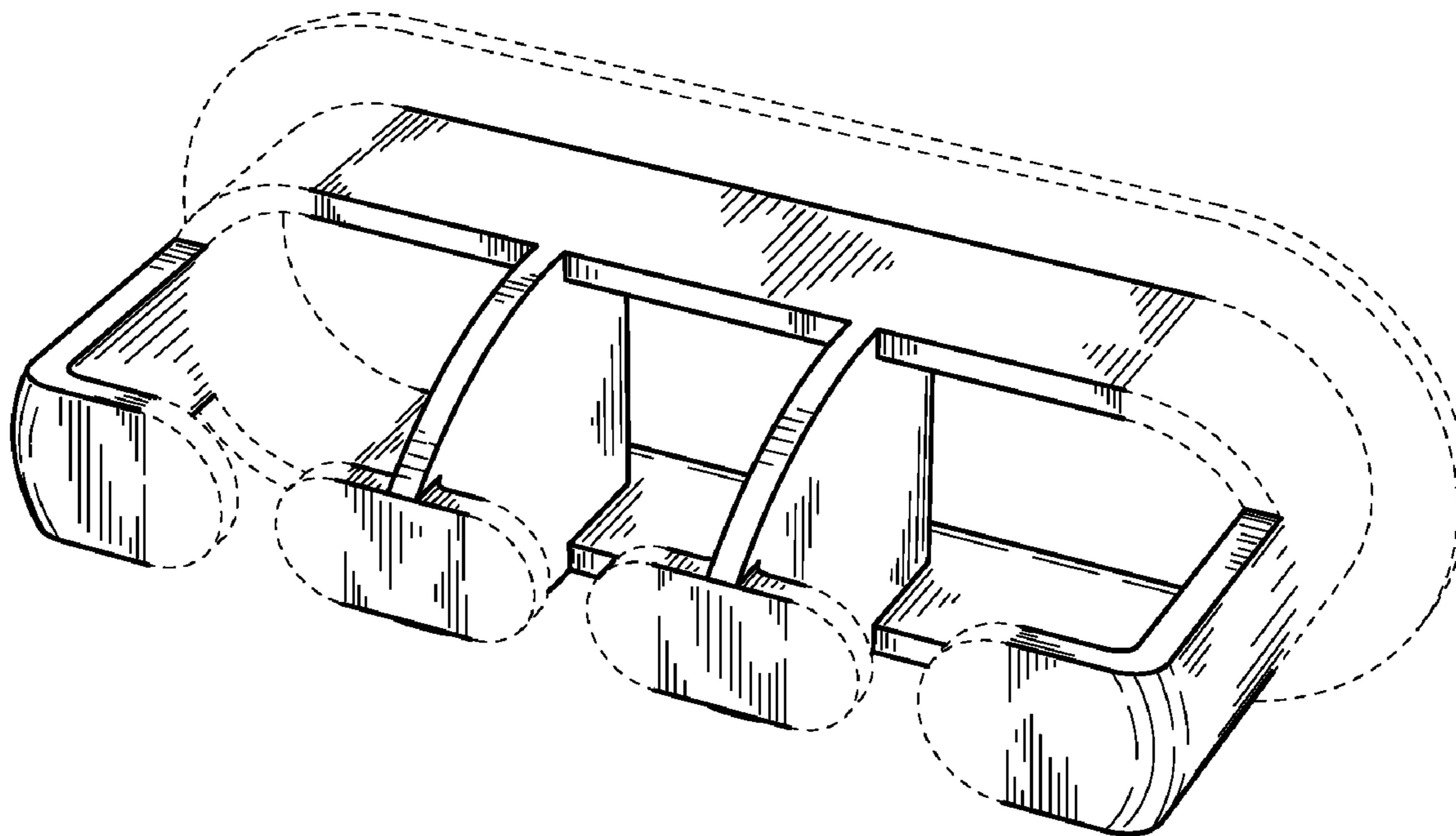
The dashed lines in the drawings are shown for environmental purposes and form no part of the claimed design.

(56) **References Cited**

U.S. PATENT DOCUMENTS

2,438,143	A *	3/1948	Brown	174/66
3,290,453	A *	12/1966	Jensen	242/400.1
3,689,868	A *	9/1972	Snyder	242/400.1
D372,188	S *	7/1996	Van Dyke	D8/358
D410,631	S *	6/1999	Foster	D13/156
D544,338	S *	6/2007	Christensen et al.	D8/358

1 Claim, 1 Drawing Sheet



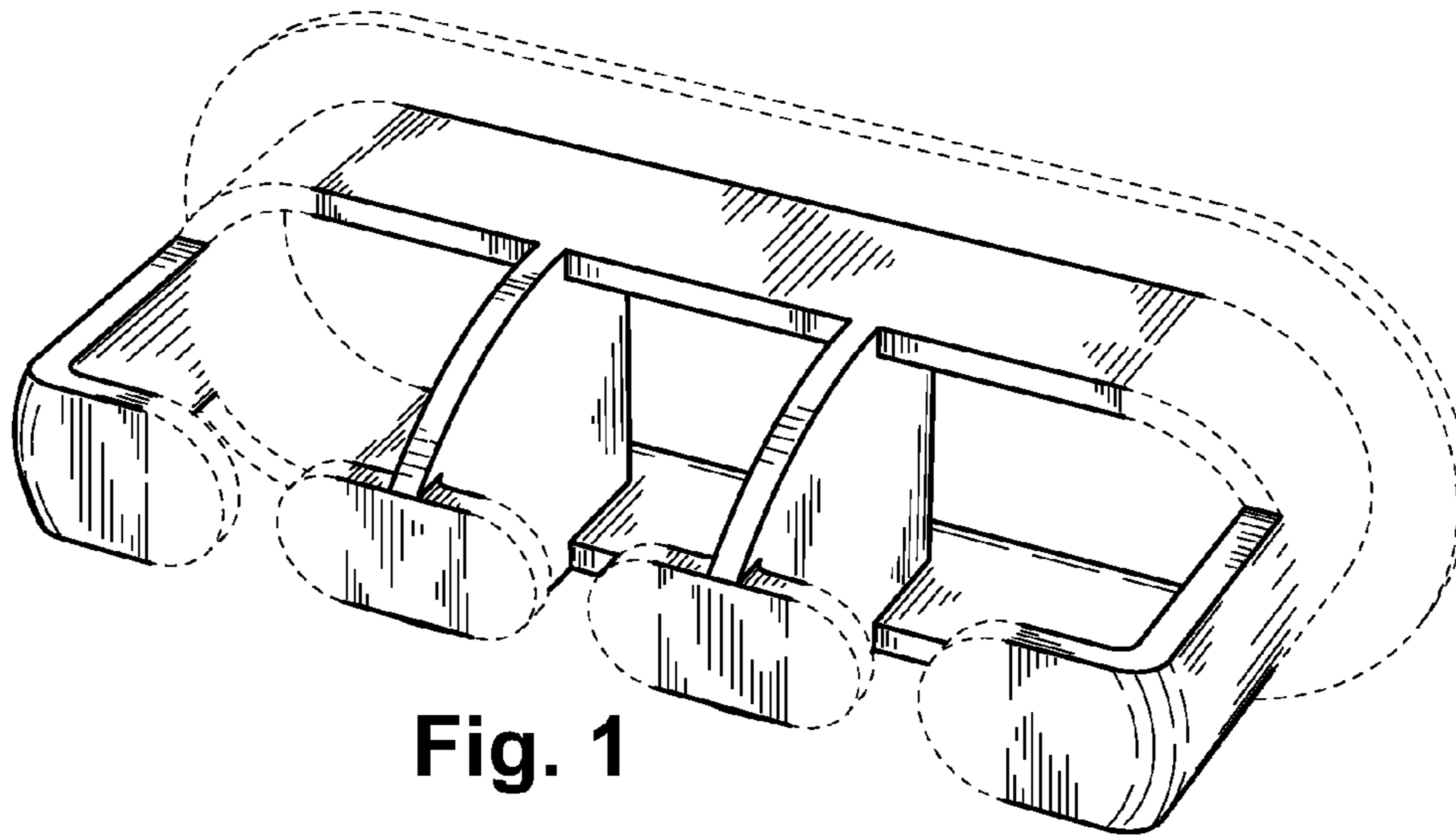


Fig. 1

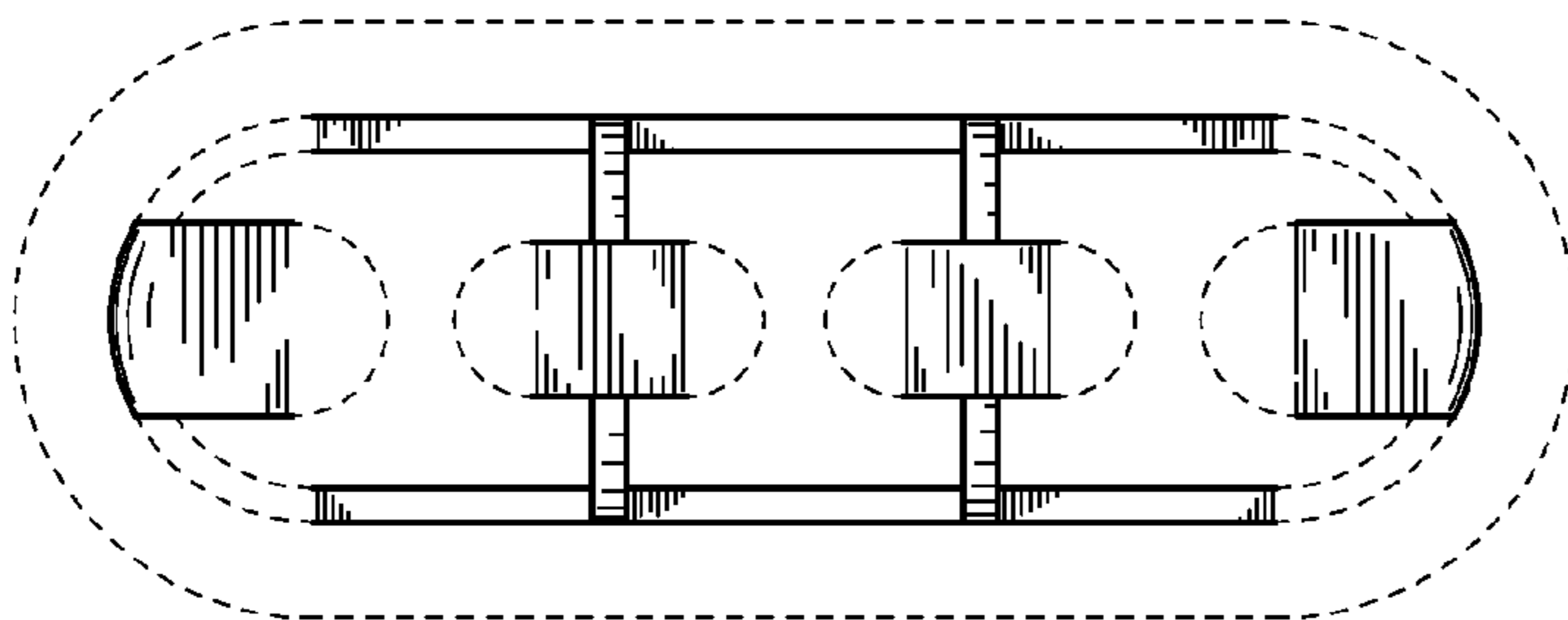


Fig. 2

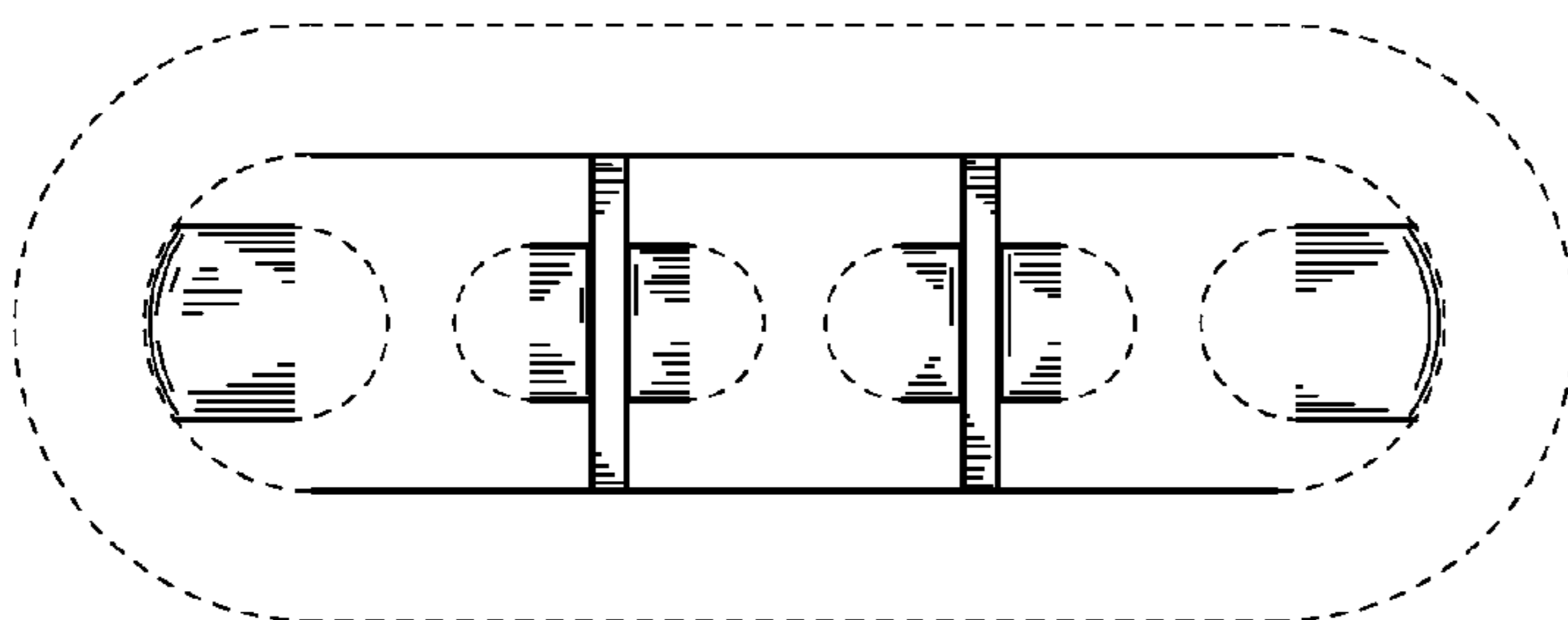


Fig. 3

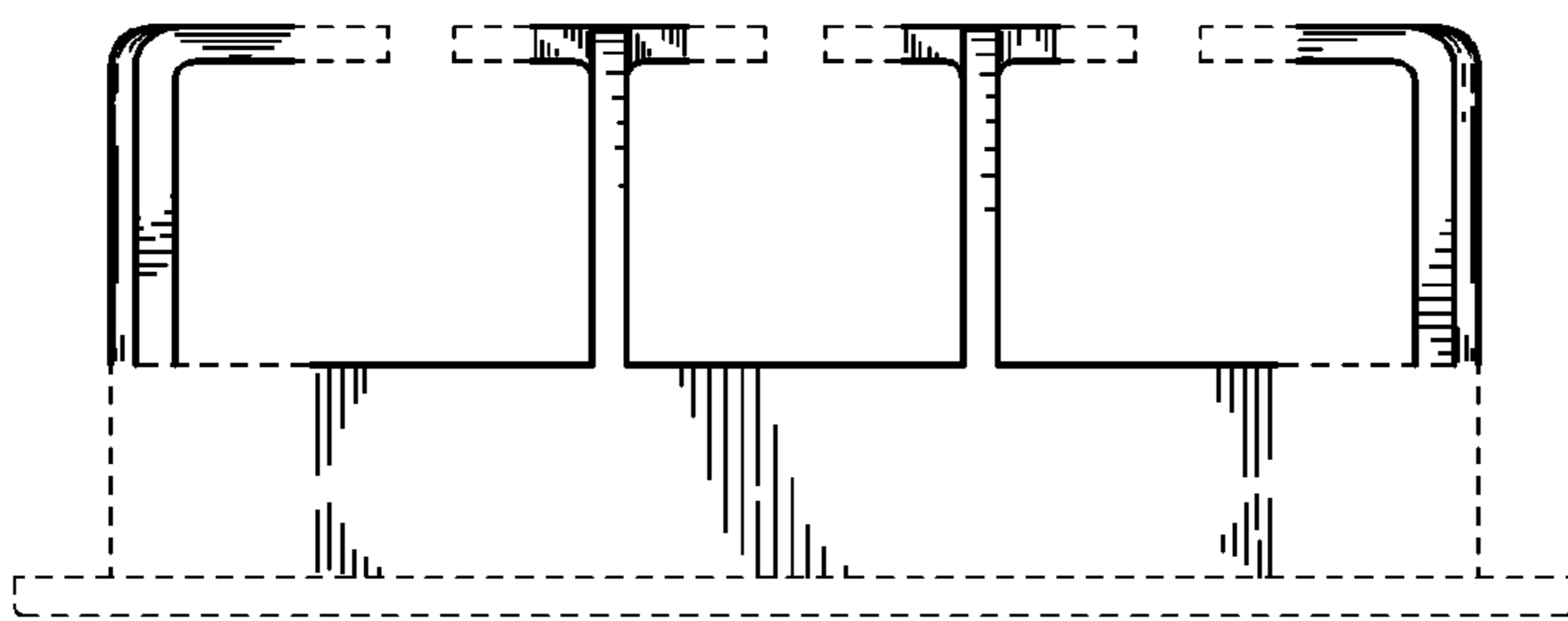


Fig. 4

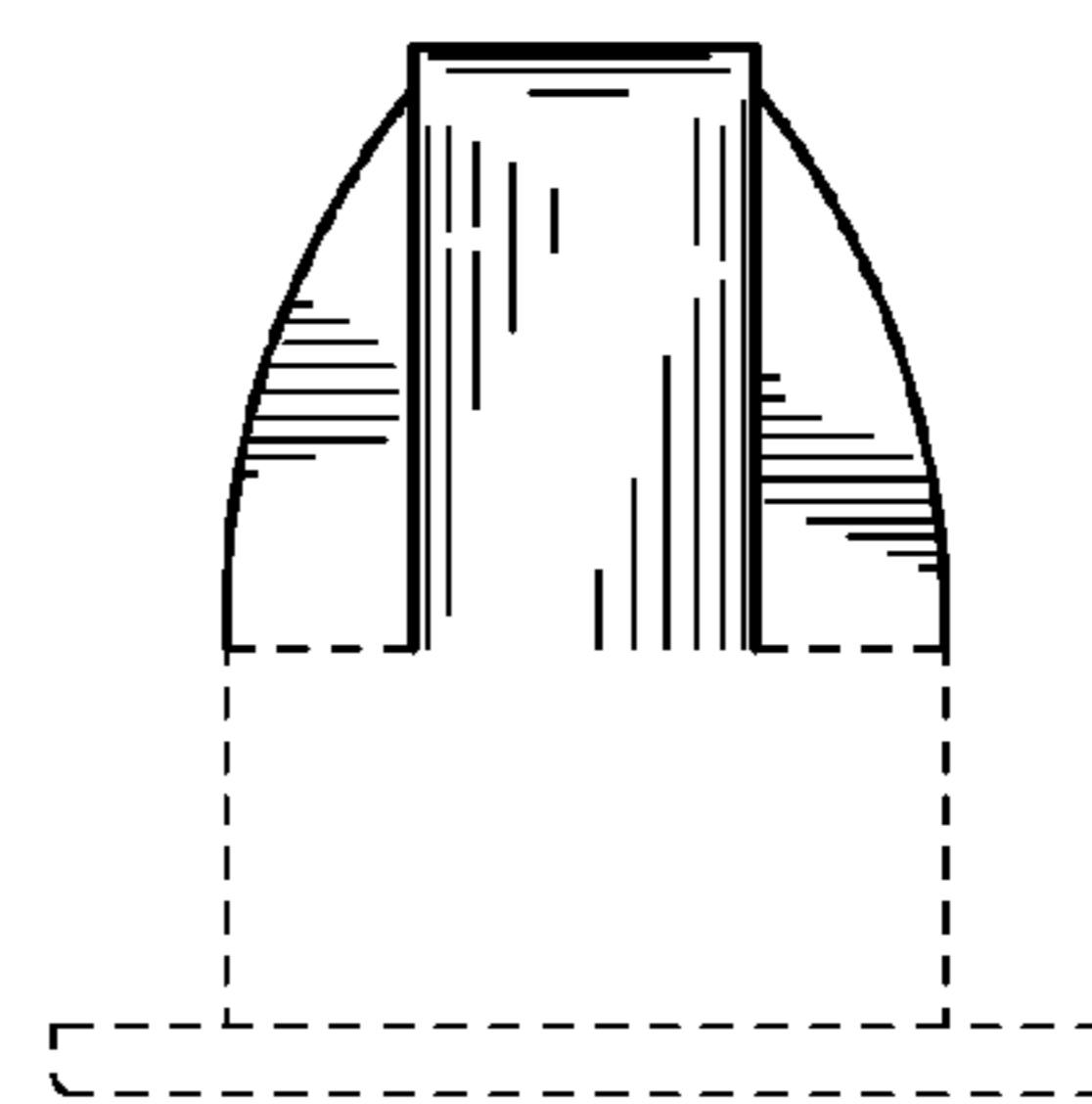


Fig. 5