

US00D569233S

(12) **United States Design Patent**
Kishimoto et al.

(10) **Patent No.:** **US D569,233 S**

(45) **Date of Patent:** **** May 20, 2008**

(54) **REEL FOR ELECTRICAL CABLE**

D200,508 S * 3/1965 Bogeaus D19/69
D386,066 S * 11/1997 Zuk et al. D8/358
D388,692 S * 1/1998 Anderson D8/358
D493,922 S * 8/2004 Klotz D21/803

(75) Inventors: **Hiroshi Kishimoto**, Kyoto (JP); **Naomi Matsumura**, Osaka (JP); **Masayuki Fukutsuka**, Kyoto (JP); **Tadashi Koike**, Kyoto (JP); **Kenji Eda**, Osaka (JP); **Takahide Tanaka**, Shiga (JP); **Yosuke Fujii**, Osaka (JP); **So Noguchi**, Osaka (JP); **Shuji Tsuruta**, Osaka (JP)

* cited by examiner

Primary Examiner—Gary D. Watson
Assistant Examiner—Susan Bennett Hattan
(74) *Attorney, Agent, or Firm*—Harness, Dickey, & Pierce, P.L.C.

(73) Assignee: **OMRON Healthcare Co., Ltd.**, Kyoto (JP)

(**) Term: **14 Years**

(57) **CLAIM**

The ornamental design for a reel for electrical cable, as shown.

(21) Appl. No.: **29/253,643**

(22) Filed: **Feb. 10, 2006**

DESCRIPTION

(30) **Foreign Application Priority Data**

Aug. 12, 2005 (JP) 2005-023548
Nov. 14, 2005 (JP) 2005-033522

FIG. 1 is a front, top and right side perspective view of a reel for electrical cable showing our new design;
FIG. 2 is a front, bottom and left side perspective view thereof;
FIG. 3 is a rear, bottom and left side perspective view thereof;
FIG. 4 is a front elevational view thereof;
FIG. 5 is a rear elevational view thereof;
FIG. 6 is a top plan view thereof;
FIG. 7 is a bottom plan view thereof;
FIG. 8 is right side elevational view thereof; and,
FIG. 9 is a left side elevational view thereof.

(51) **LOC (8) Cl.** **08-05**

(52) **U.S. Cl.** **D8/358**

(58) **Field of Classification Search** D8/360.1,
D8/359, 358, 356; D30/160; D19/69, 67;
D13/154, 137.4; D10/72; 379/438; 242/916,
242/601, 570, 405, 404, 371, 223, 170; 191/12.4,
191/12.2 R; 446/26; D21/803

See application file for complete search history.

(56) **References Cited**

U.S. PATENT DOCUMENTS

D98,098 S * 1/1936 Volz D10/72

1 Claim, 7 Drawing Sheets

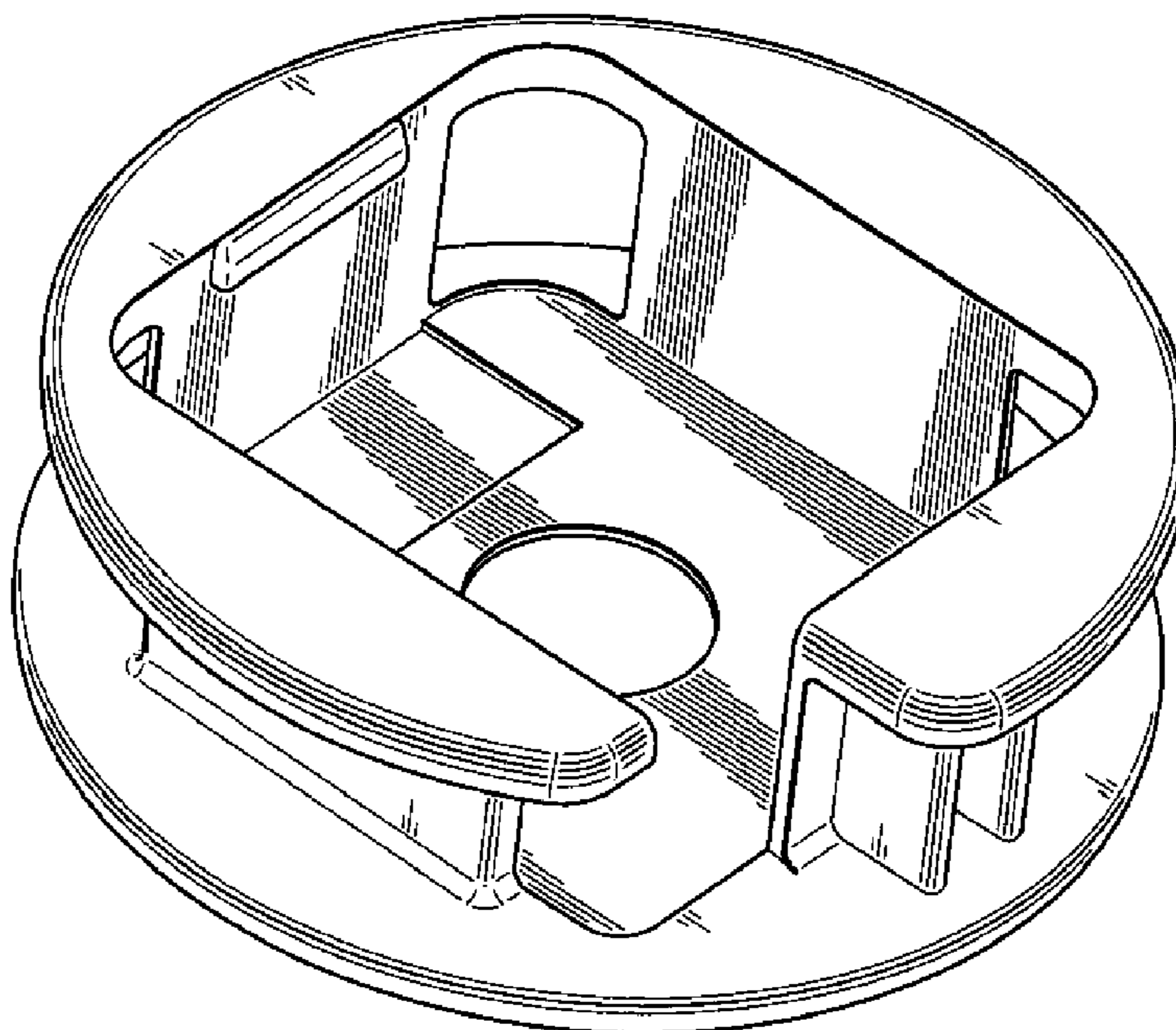


Fig. 1

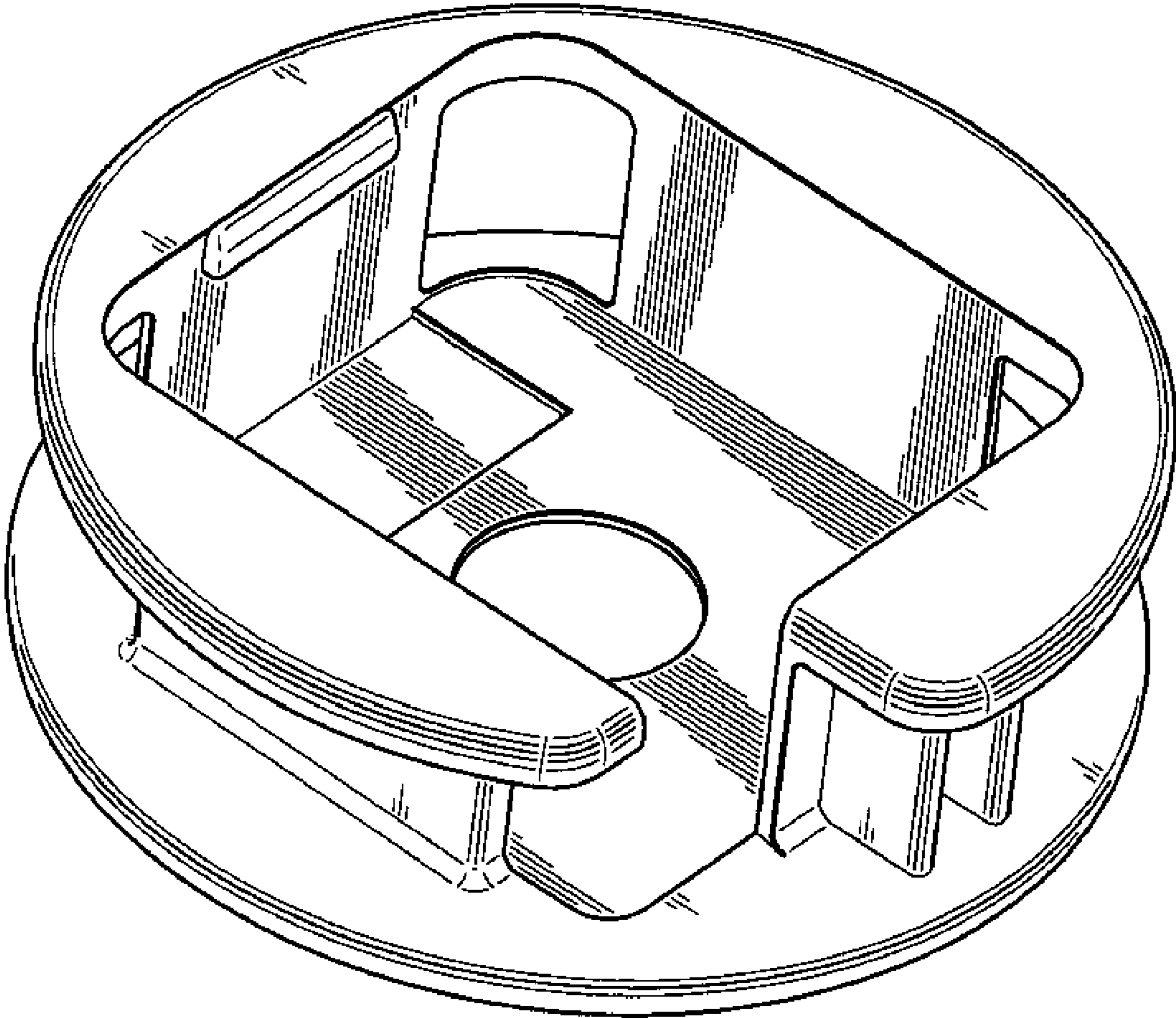


Fig. 2

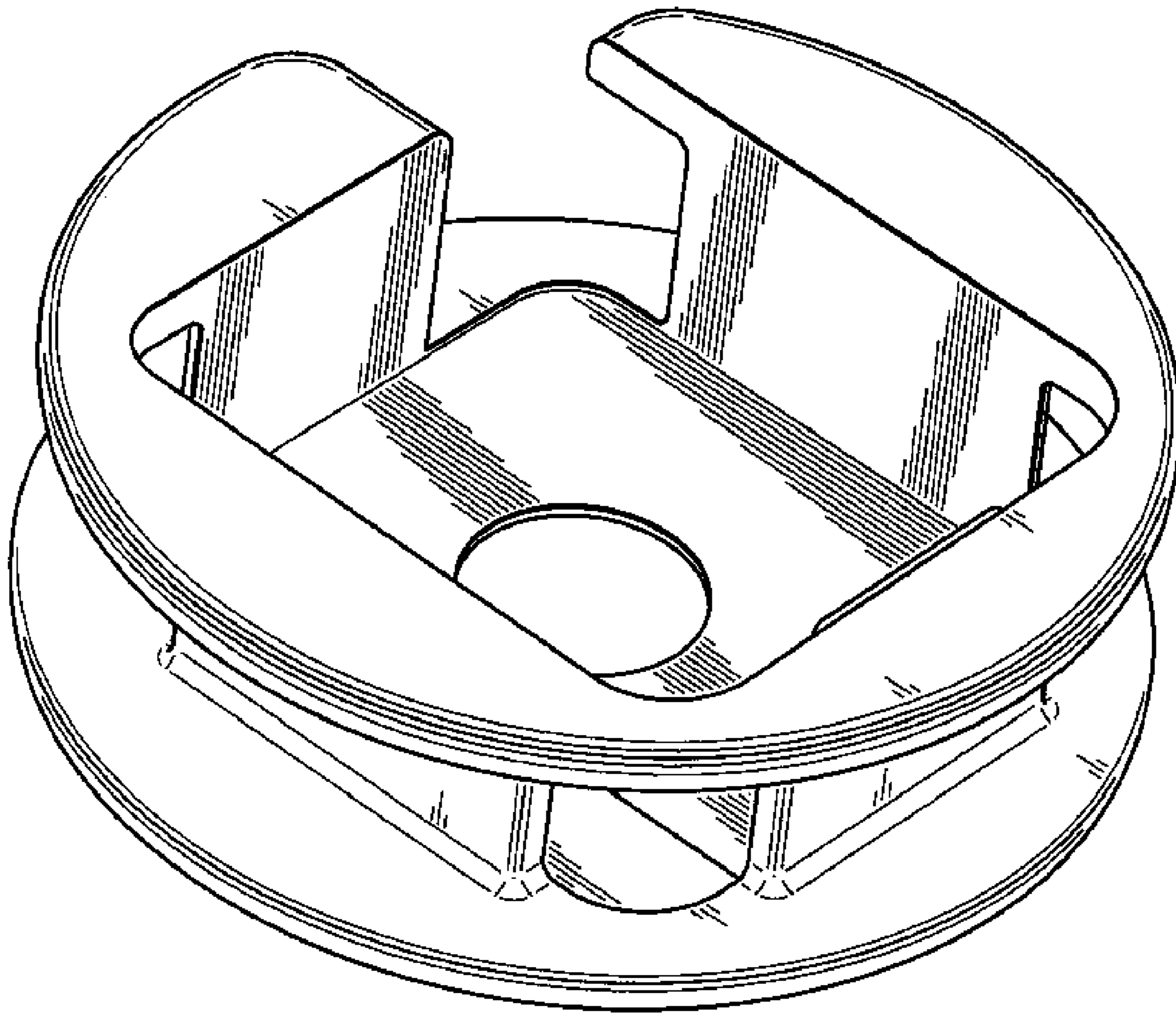


Fig. 3

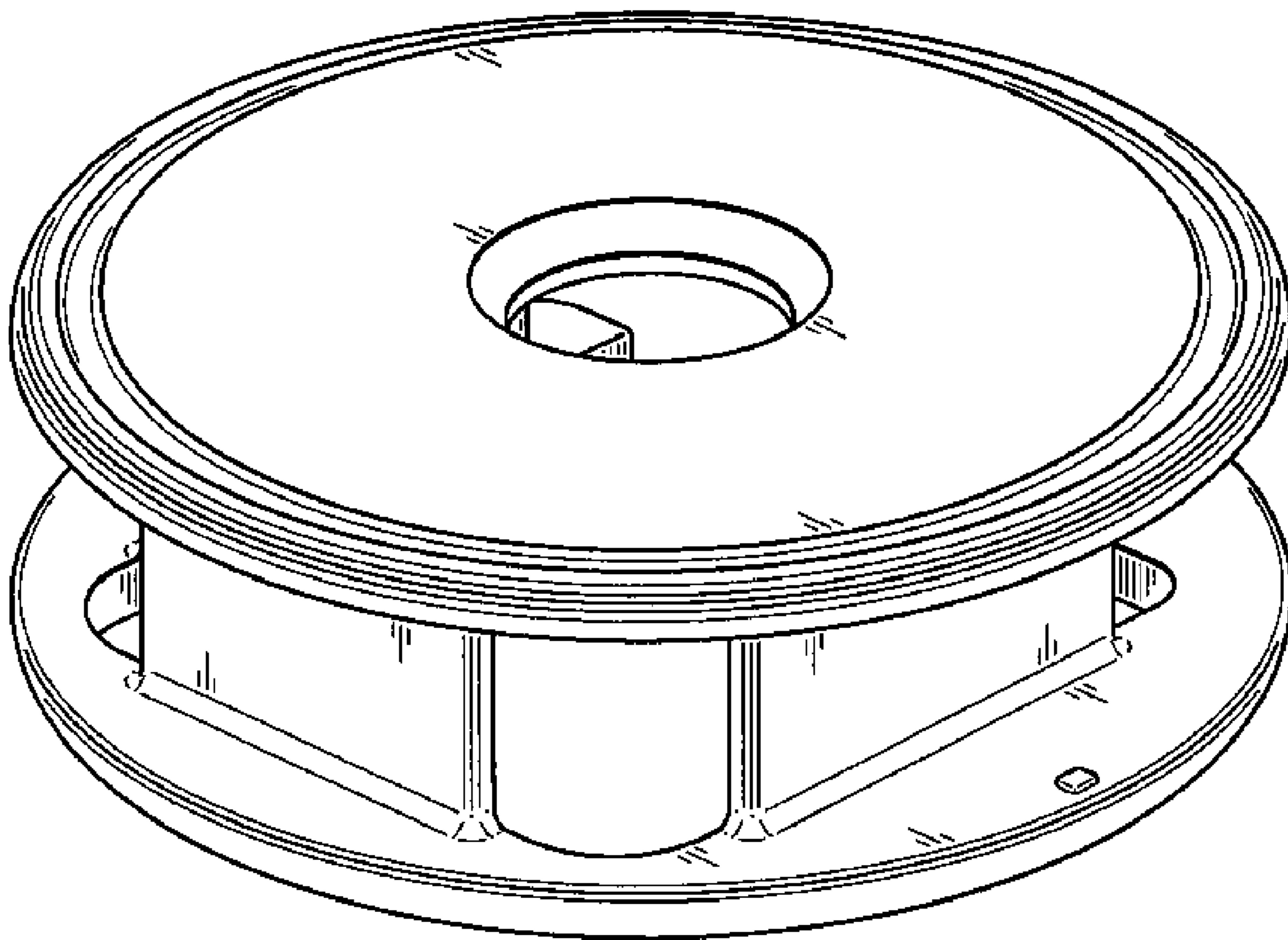


Fig. 4

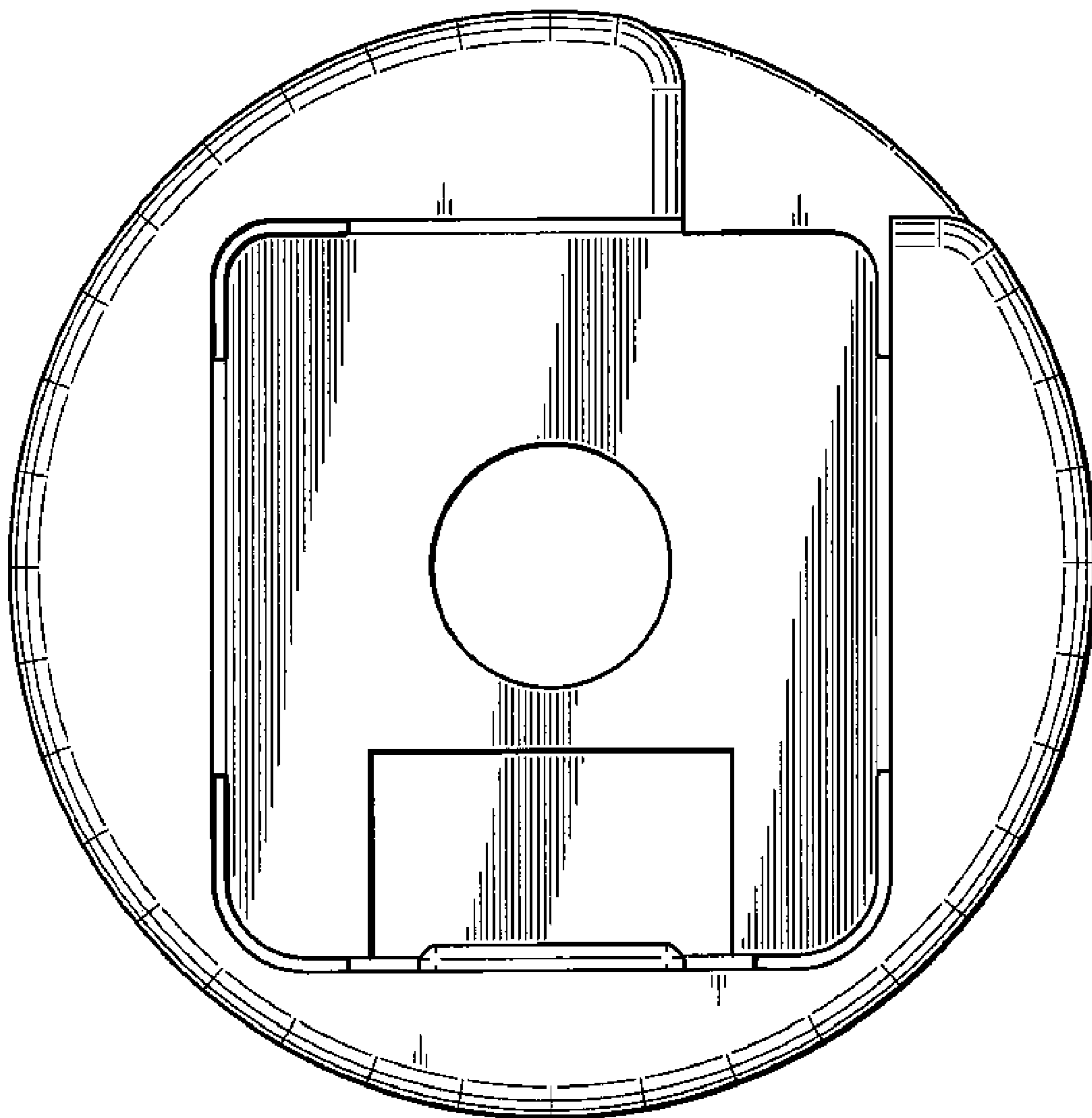


Fig. 5

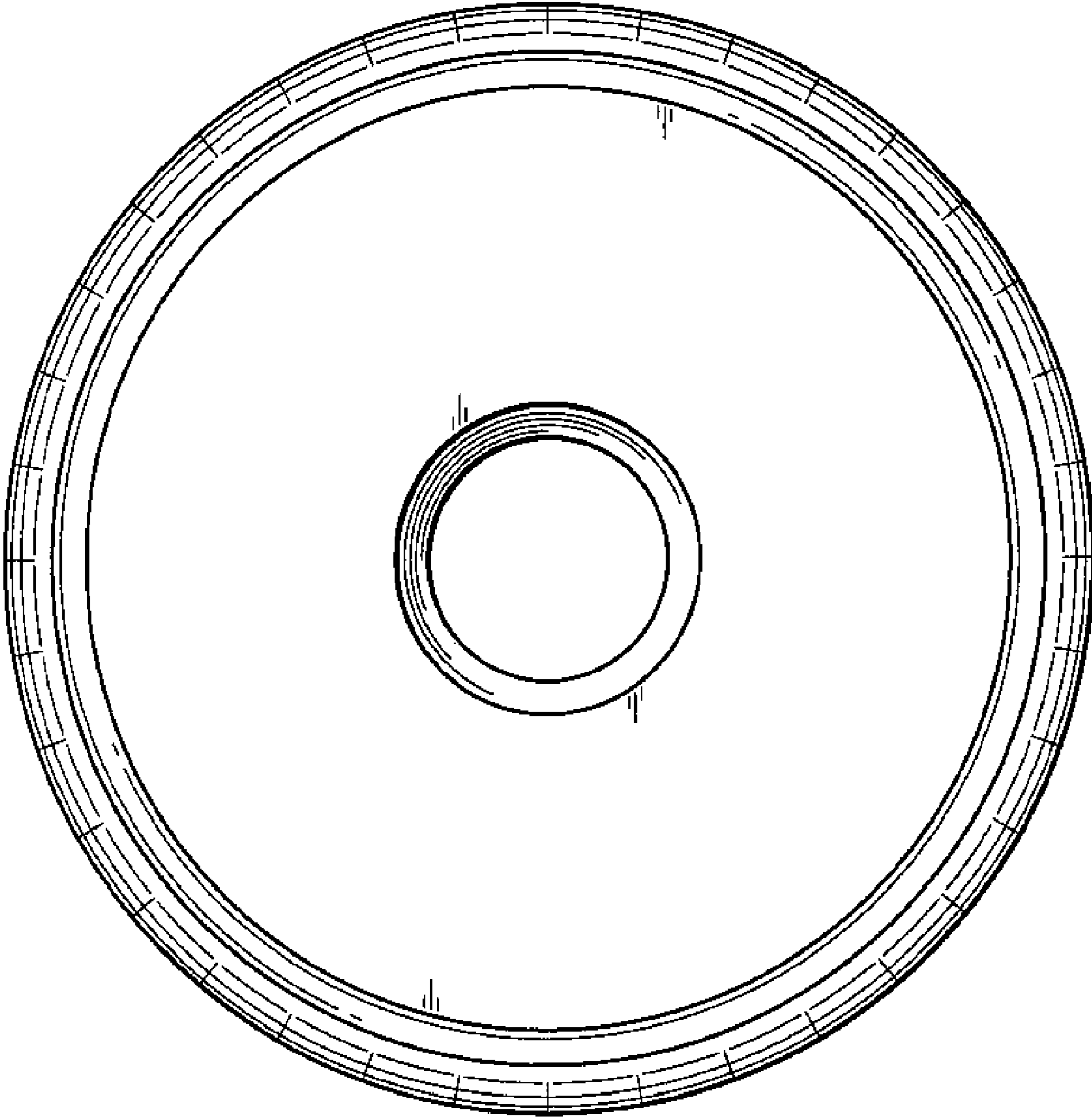


Fig. 6

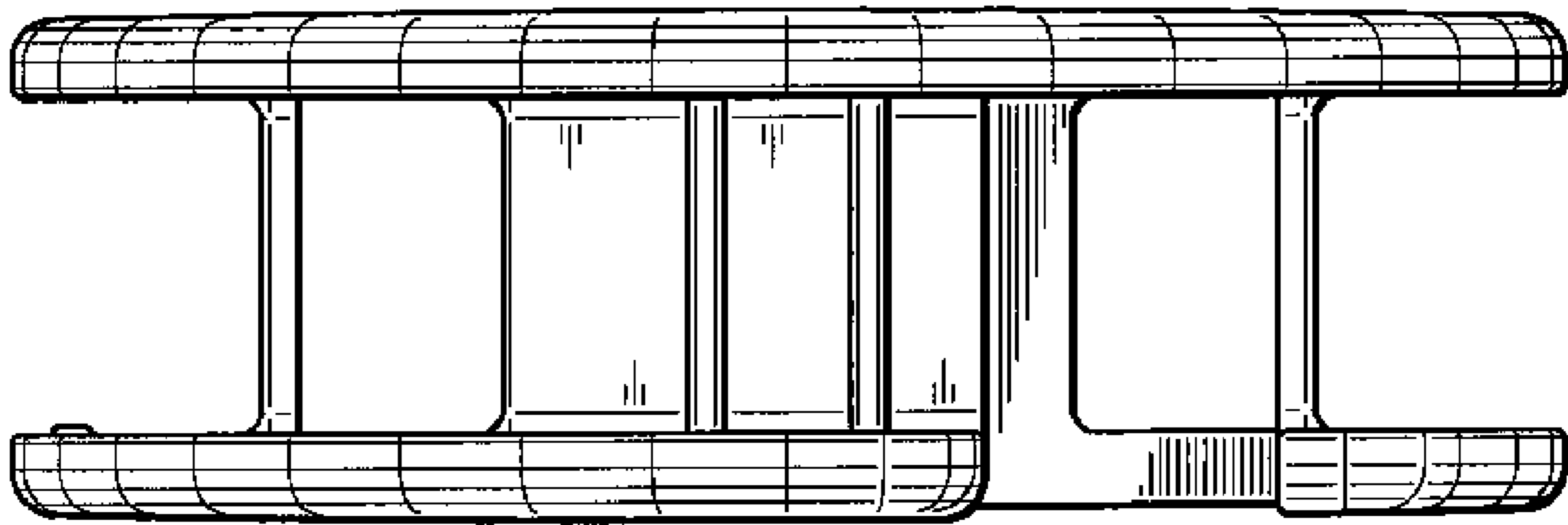


Fig. 7

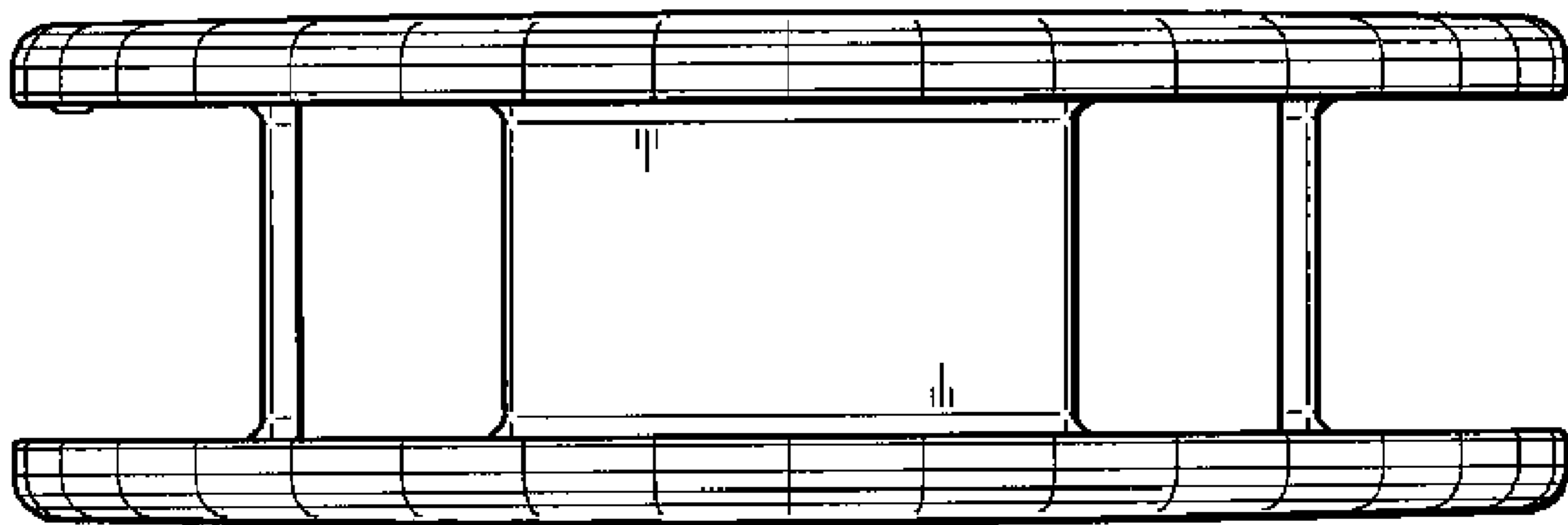


Fig. 8

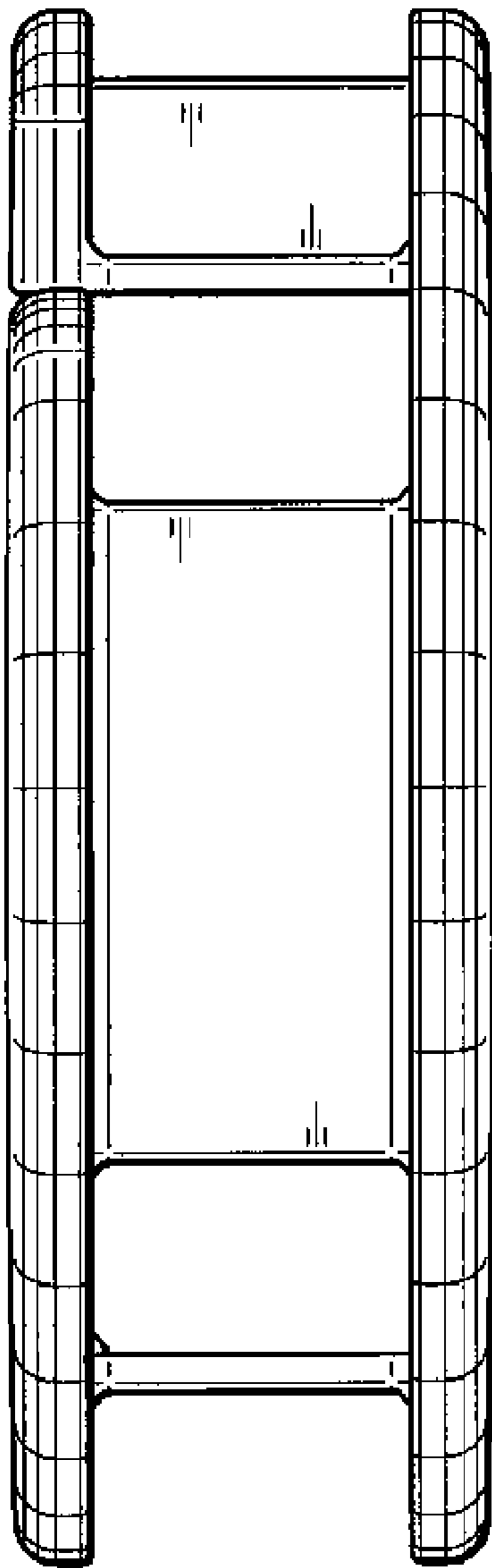


Fig. 9

