



US00D569232S

(12) **United States Design Patent**
Yoshida

(10) **Patent No.:** **US D569,232 S**

(45) **Date of Patent:** **** May 20, 2008**

(54) **BRACKET MEMBER**

(75) Inventor: **Norihiro Yoshida**, Nagoya (JP)

(73) Assignee: **Nichiha Corporation**, Nagoya-Shi (JP)

(**) Term: **14 Years**

(21) Appl. No.: **29/283,353**

(22) Filed: **Aug. 10, 2007**

(51) **LOC (8) Cl.** **08-05**

(52) **U.S. Cl.** **D8/355**

(58) **Field of Classification Search** D8/349,
D8/354-355, 380; 248/218.4, 229.1; 52/712-715
See application file for complete search history.

(56) **References Cited**

U.S. PATENT DOCUMENTS

D58,481	S	*	7/1921	Hawkins	D8/355
2,309,420	A	*	1/1943	Taylor	52/351
D391,836	S	*	3/1998	Buchanan	D8/349
2006/0096234	A1	*	5/2006	Miller, Jr.	52/712
2006/0196143	A1	*	9/2006	Roesset et al.	52/712
2007/0120031	A1	*	5/2007	Rasmussen	248/266
2007/0194188	A1	*	8/2007	Johnson	248/218.4

FOREIGN PATENT DOCUMENTS

JP 2005-171752 A 6/2005

OTHER PUBLICATIONS

Japanese Abstract of JP-1176098D (Jun. 16, 2003).

* cited by examiner

Primary Examiner—Holly H. Baynham

(74) *Attorney, Agent, or Firm*—Birch, Stewart, Kolasch & Birch, LLP

(57) **CLAIM**

The ornamental design for a bracket member, as shown and described.

DESCRIPTION

FIG. 1 is a front view of the bracket member of my new design;

FIG. 2 is a back view thereof;

FIG. 3 is a top view thereof;

FIG. 4 is a bottom view thereof;

FIG. 5 is a right view thereof;

FIG. 6 is a left view thereof;

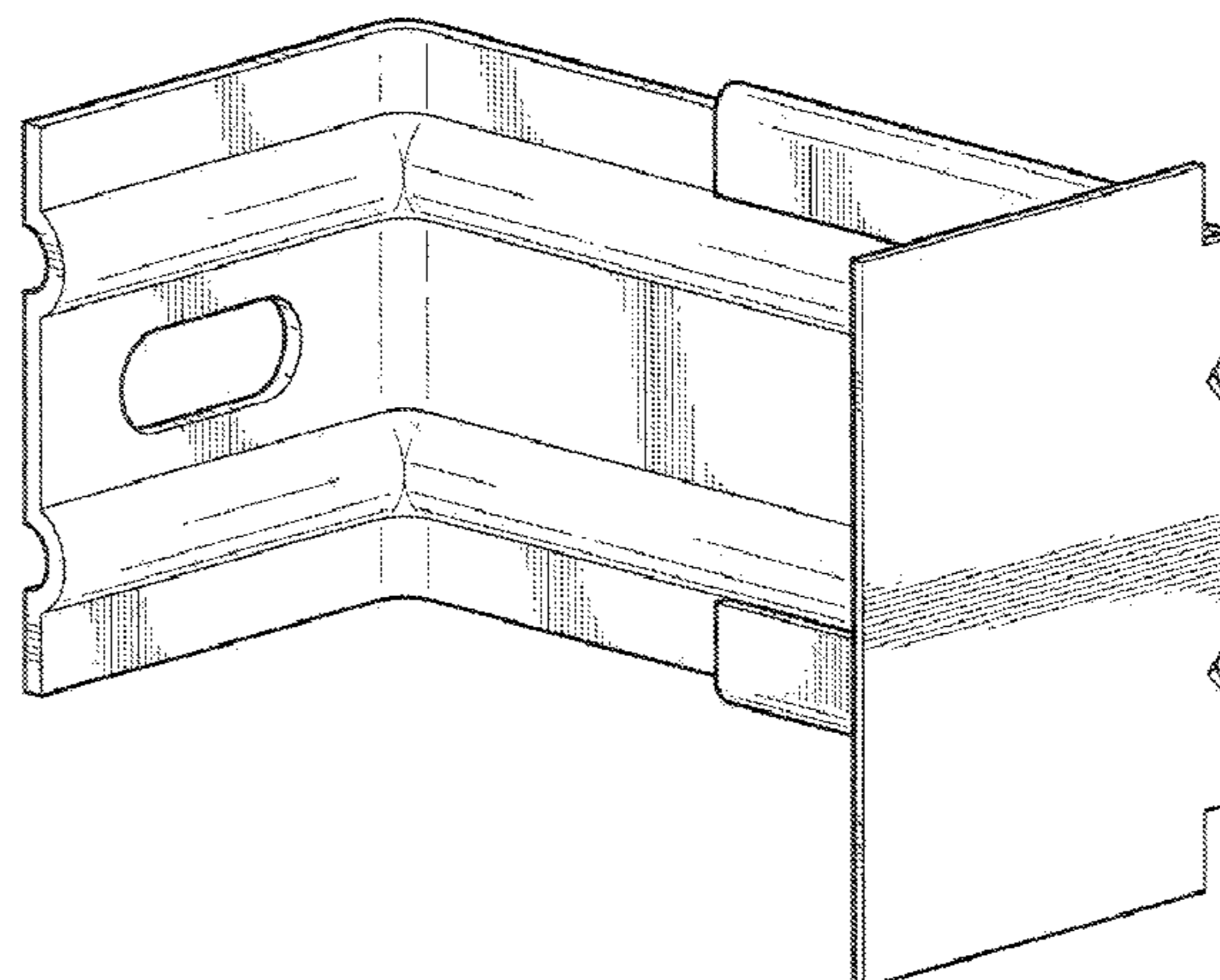
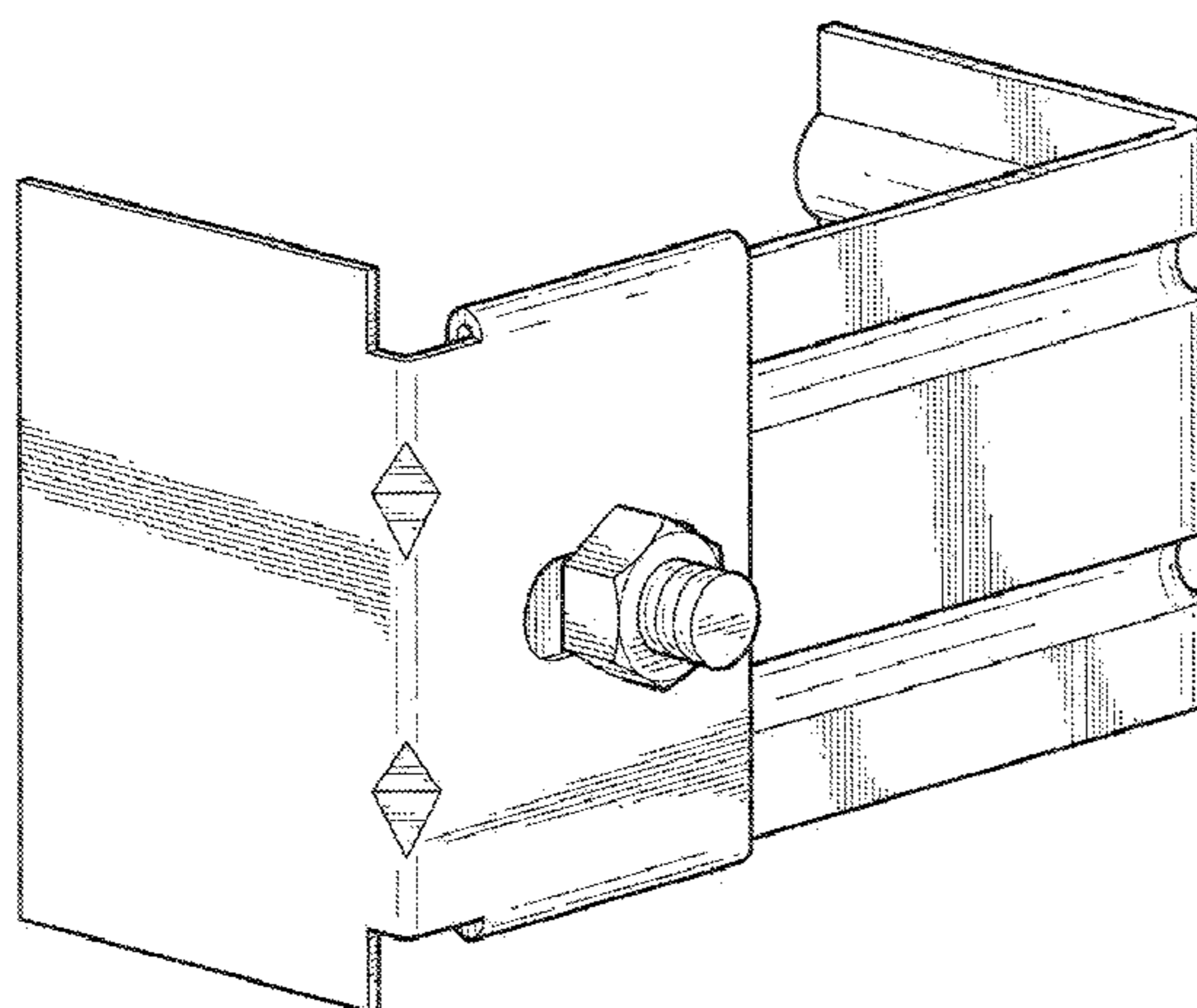
FIG. 7 is a first perspective view thereof;

FIG. 8 is a second perspective view thereof; and,

FIG. 9 is an environmental view of the bracket member of the invention, in which the bracket member is used to join a furring strip to a wall face, and wherein the furring strip is also joined to an external wall member with a securing fixture.

The broken line showing of partial wall and structure is included for the purpose of illustrating environment and forms no part of the claimed design.

1 Claim, 6 Drawing Sheets



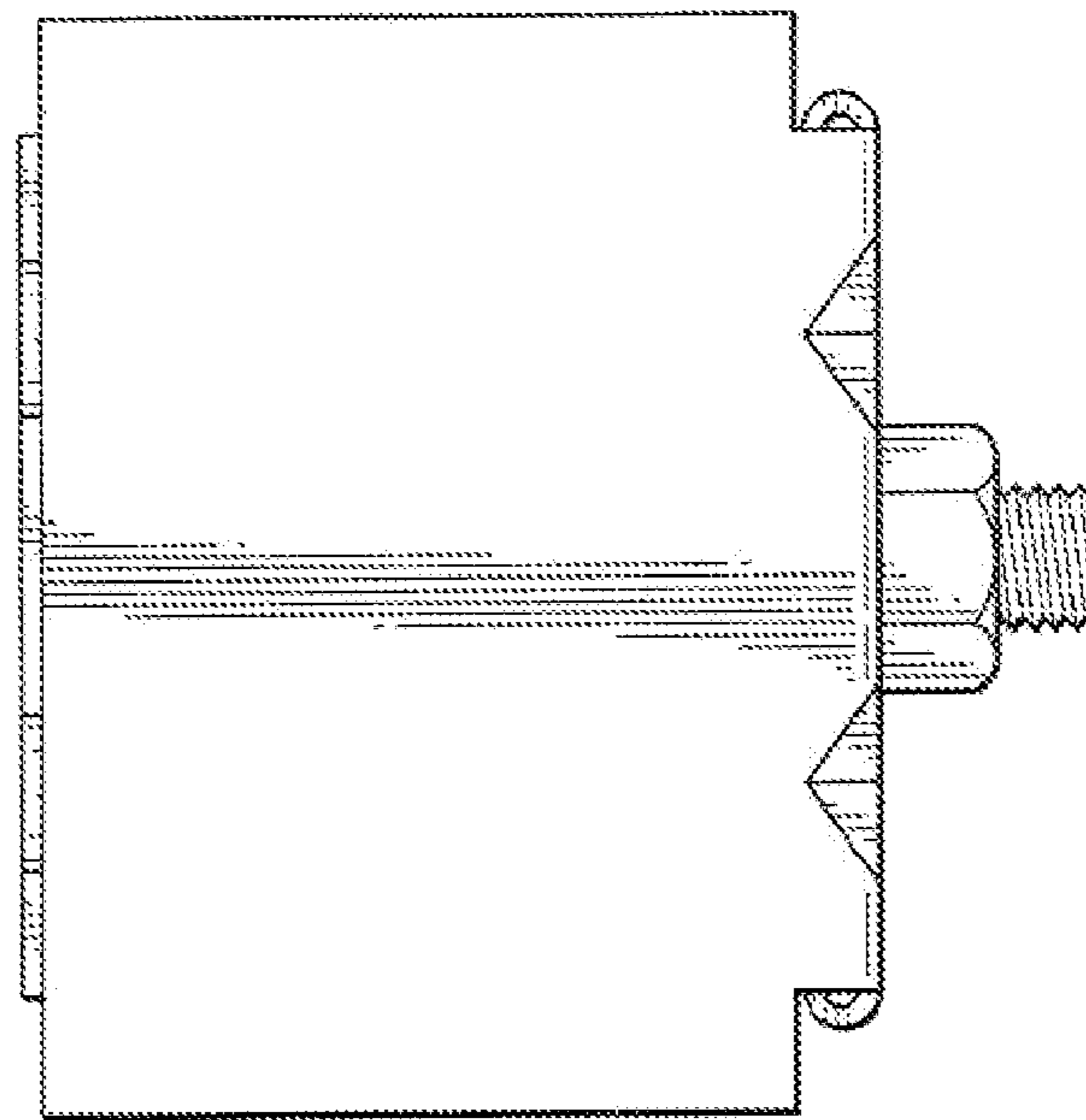


FIG. 1

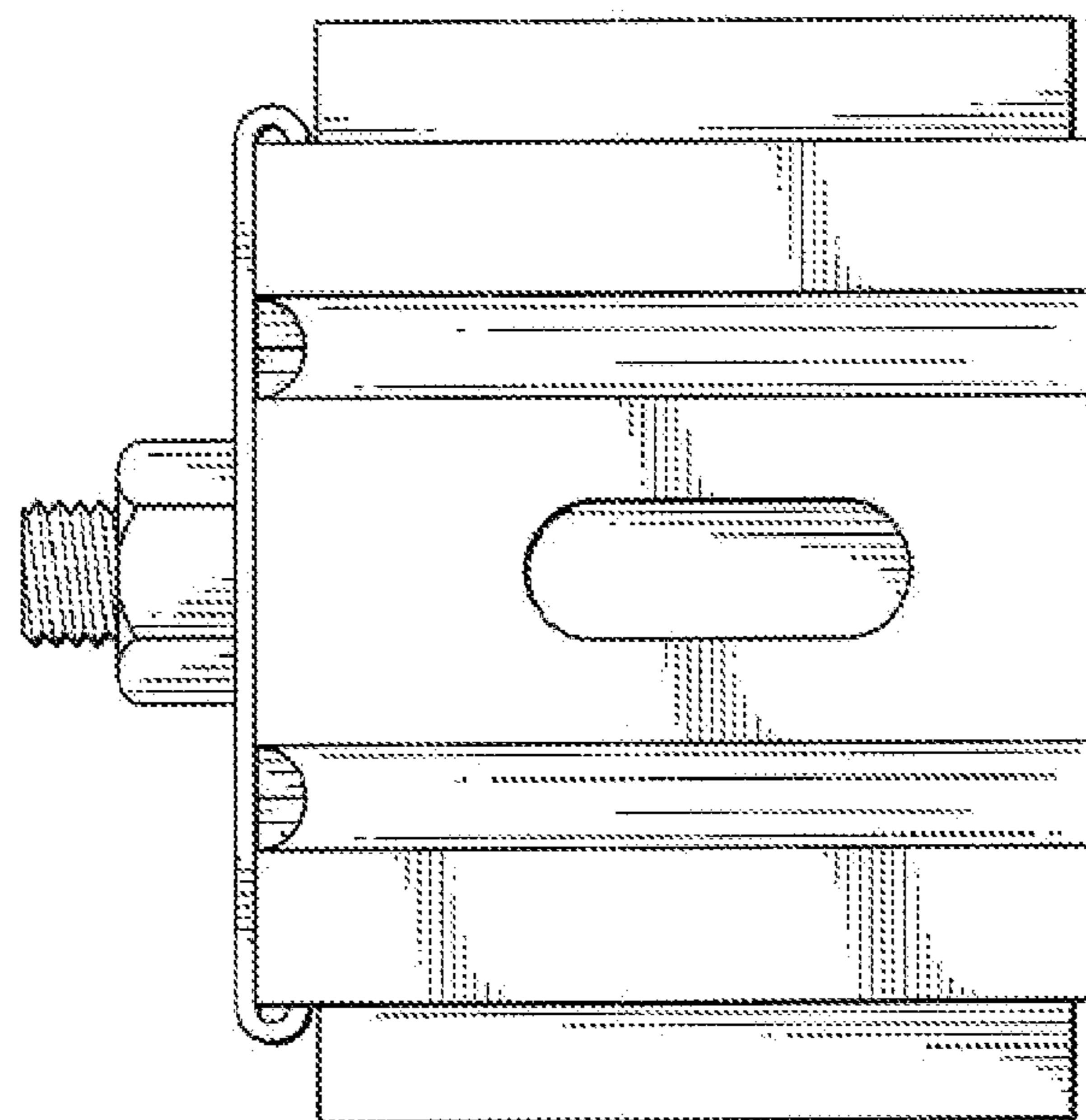


FIG. 2

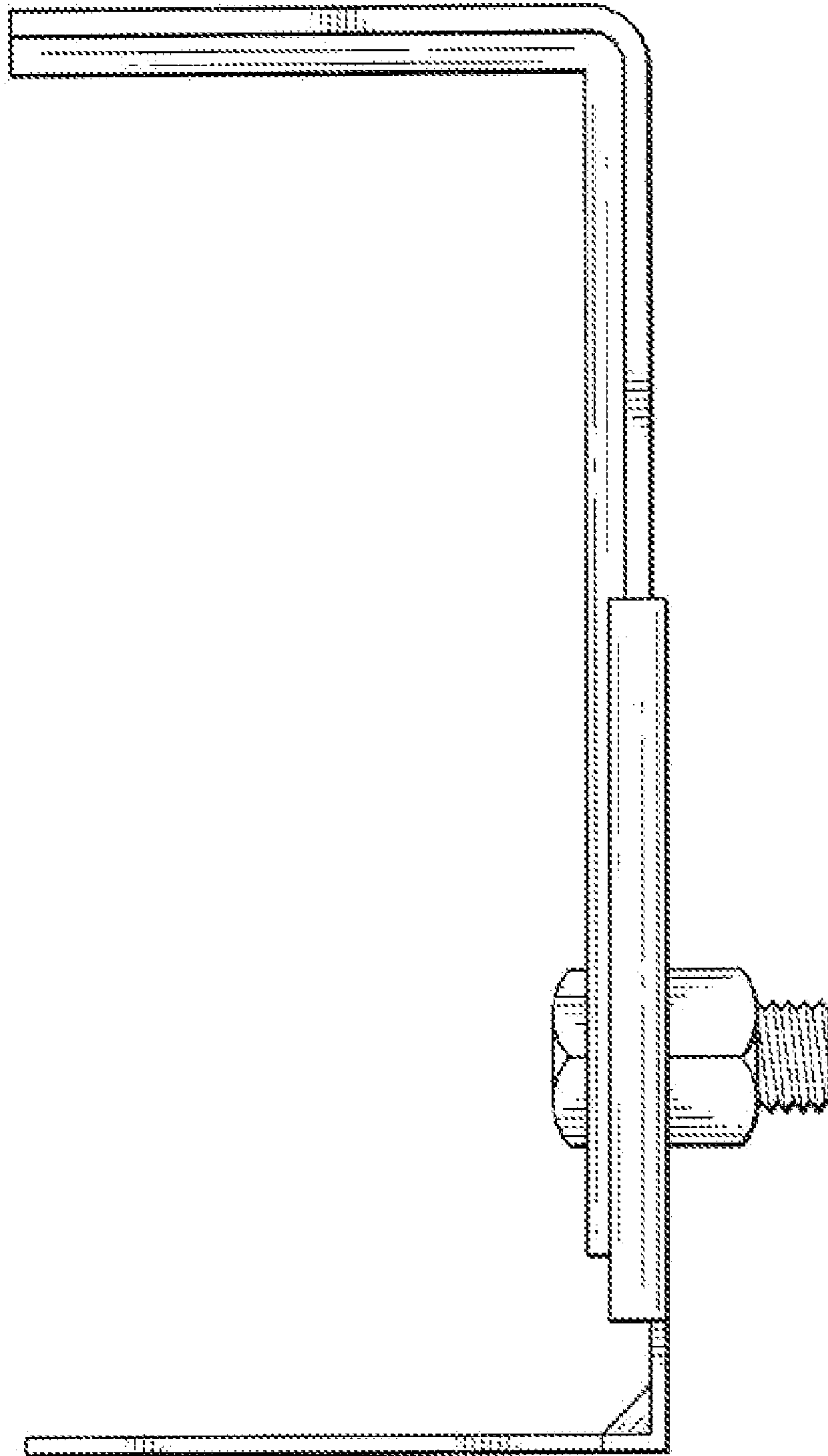


FIG. 3

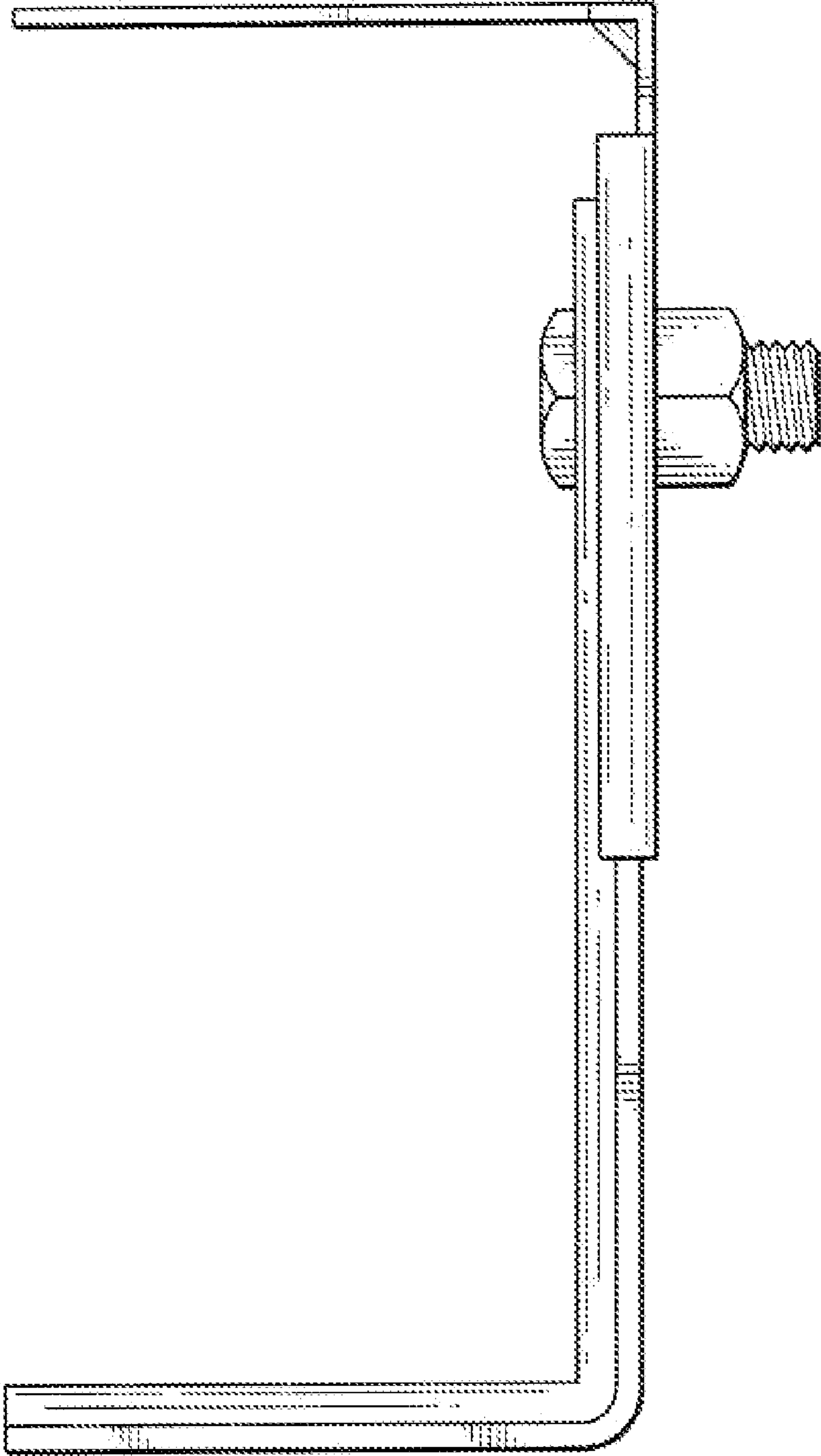


FIG. 4

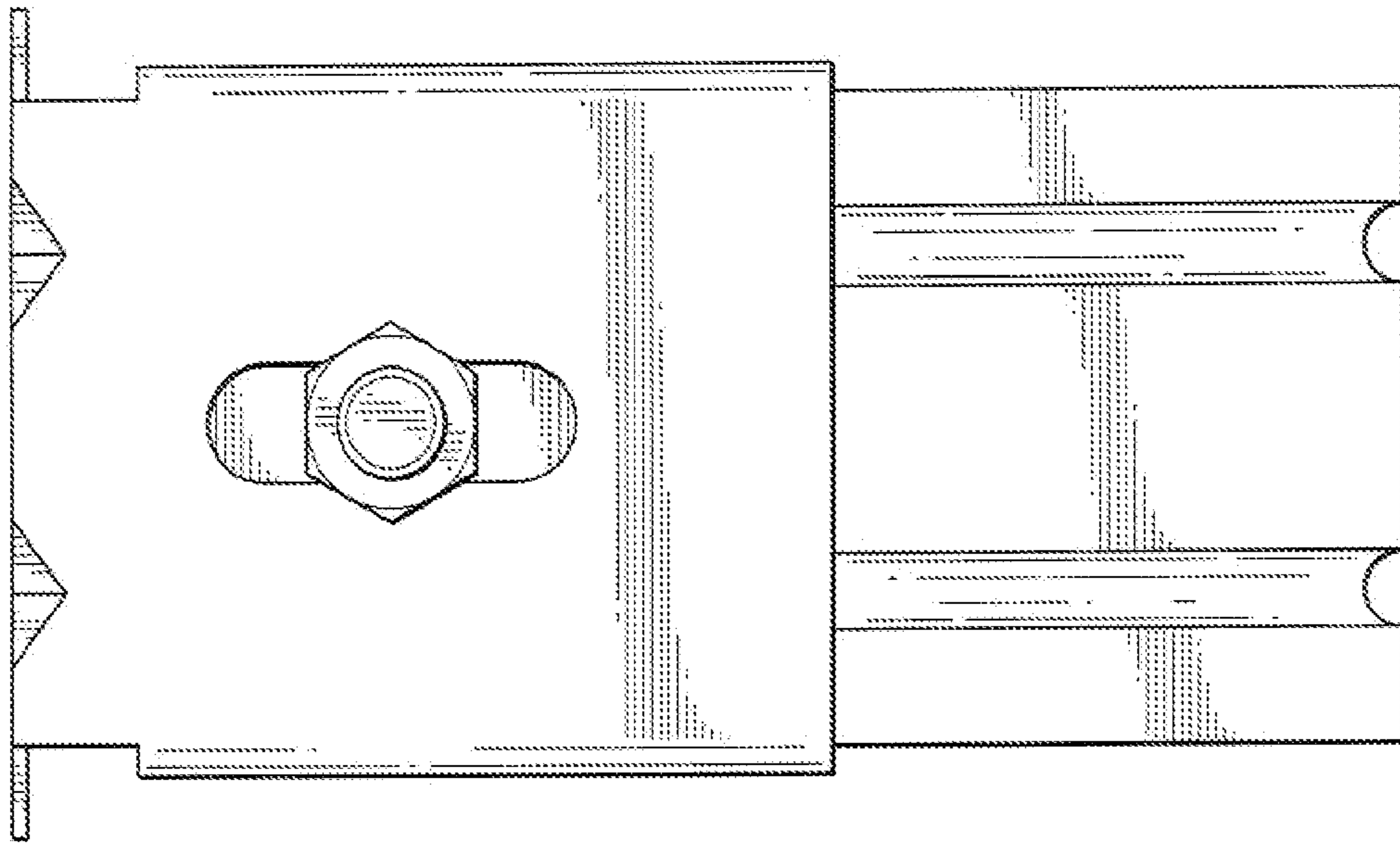


FIG. 5

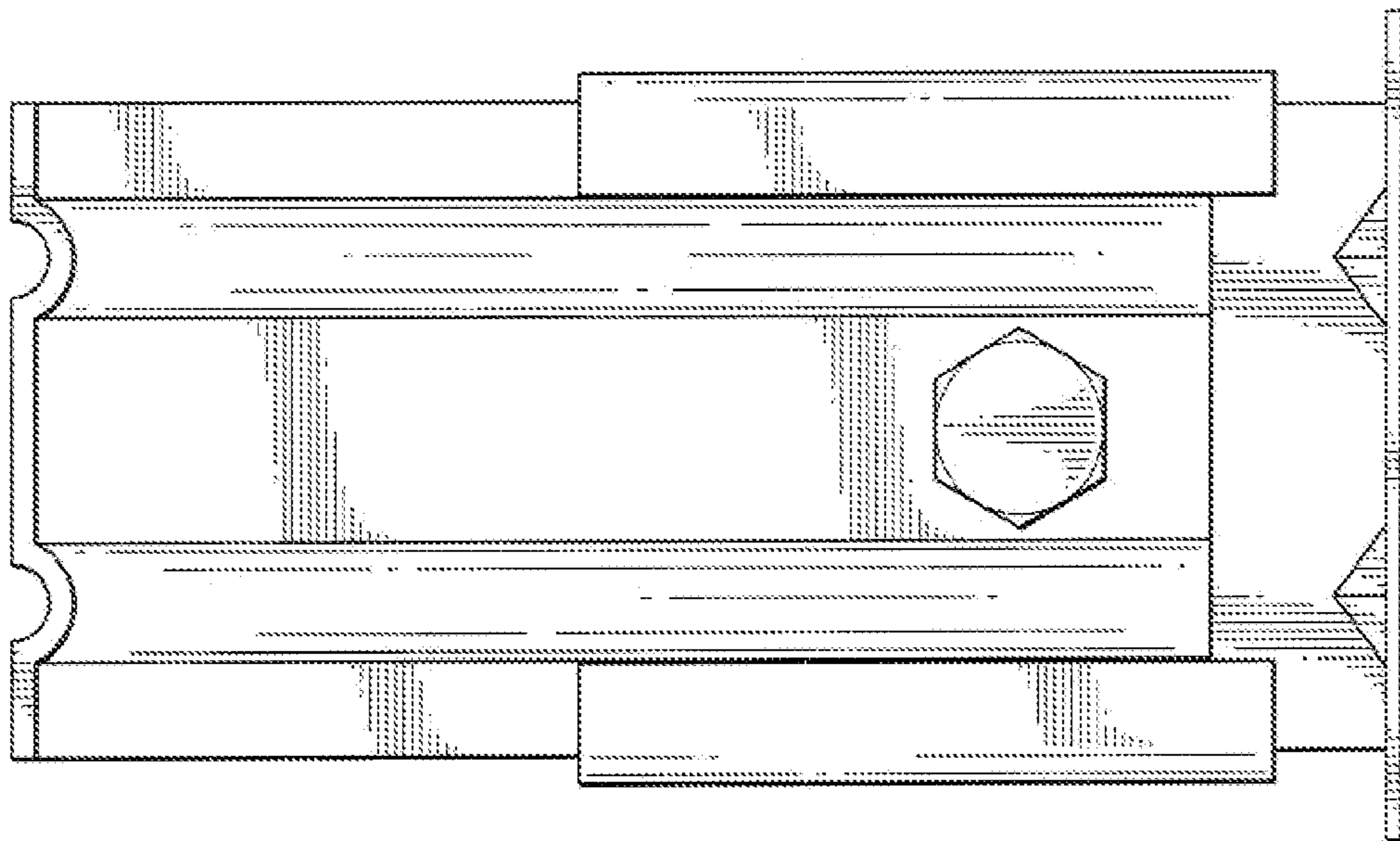


FIG. 6

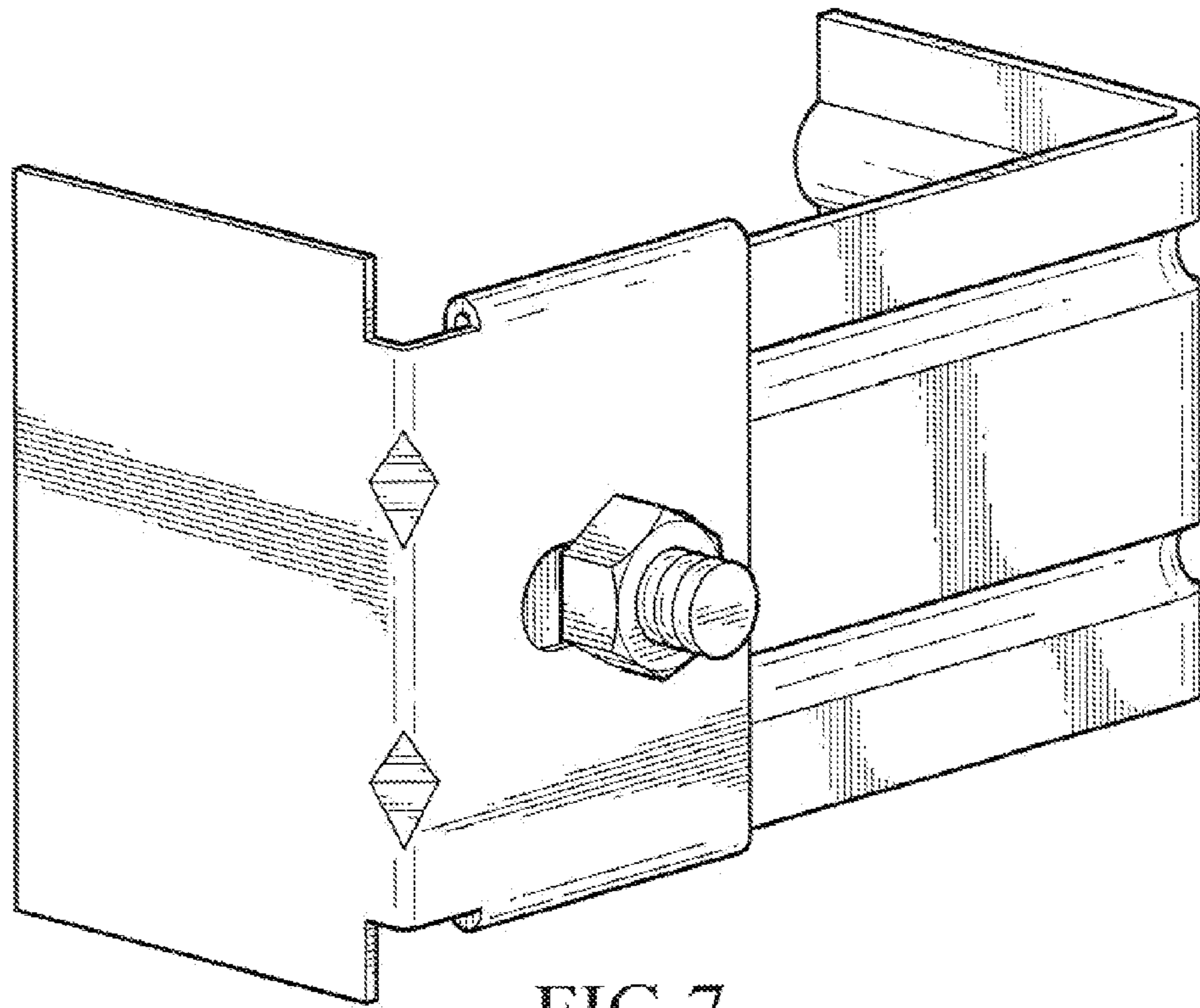


FIG. 7

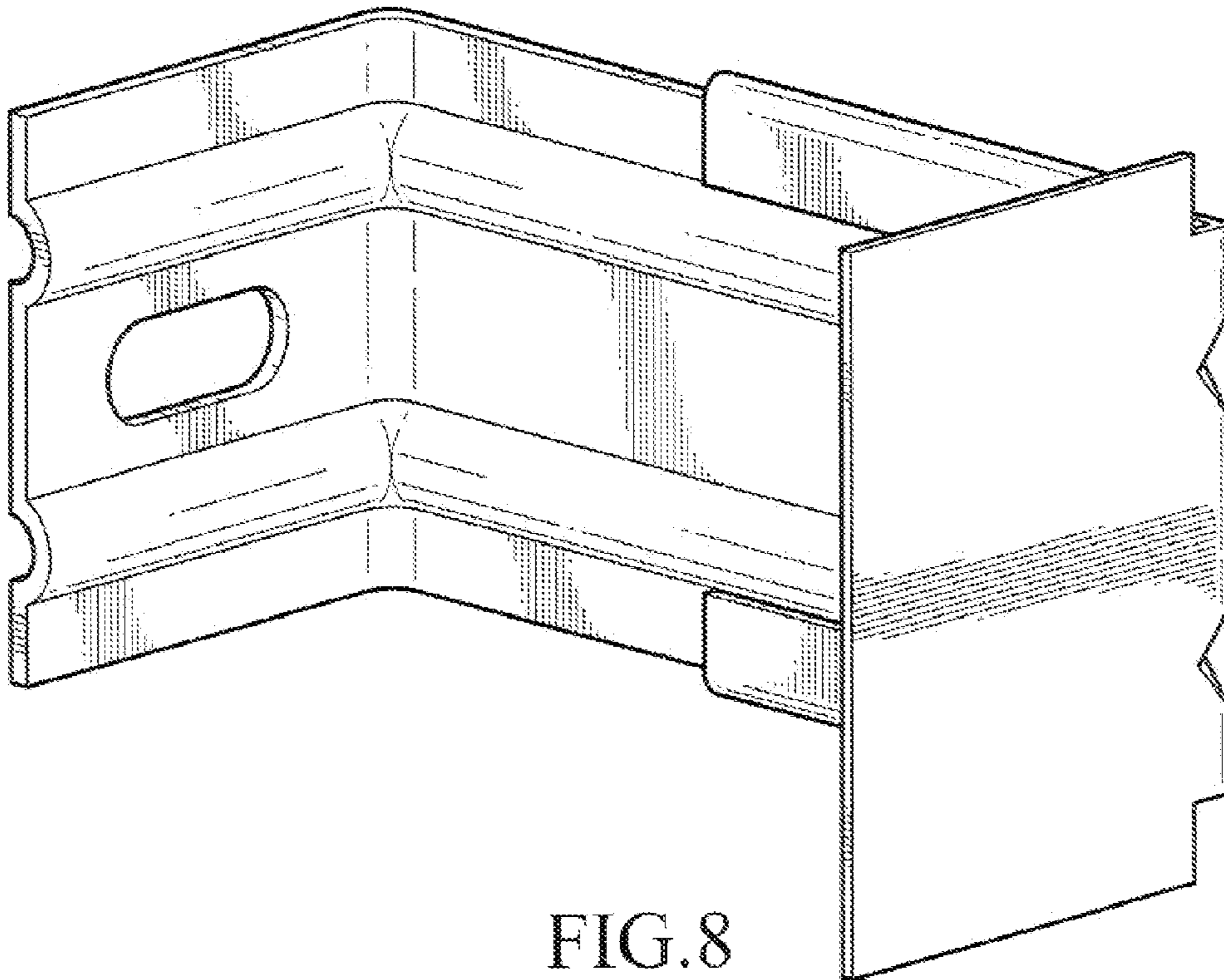


FIG. 8

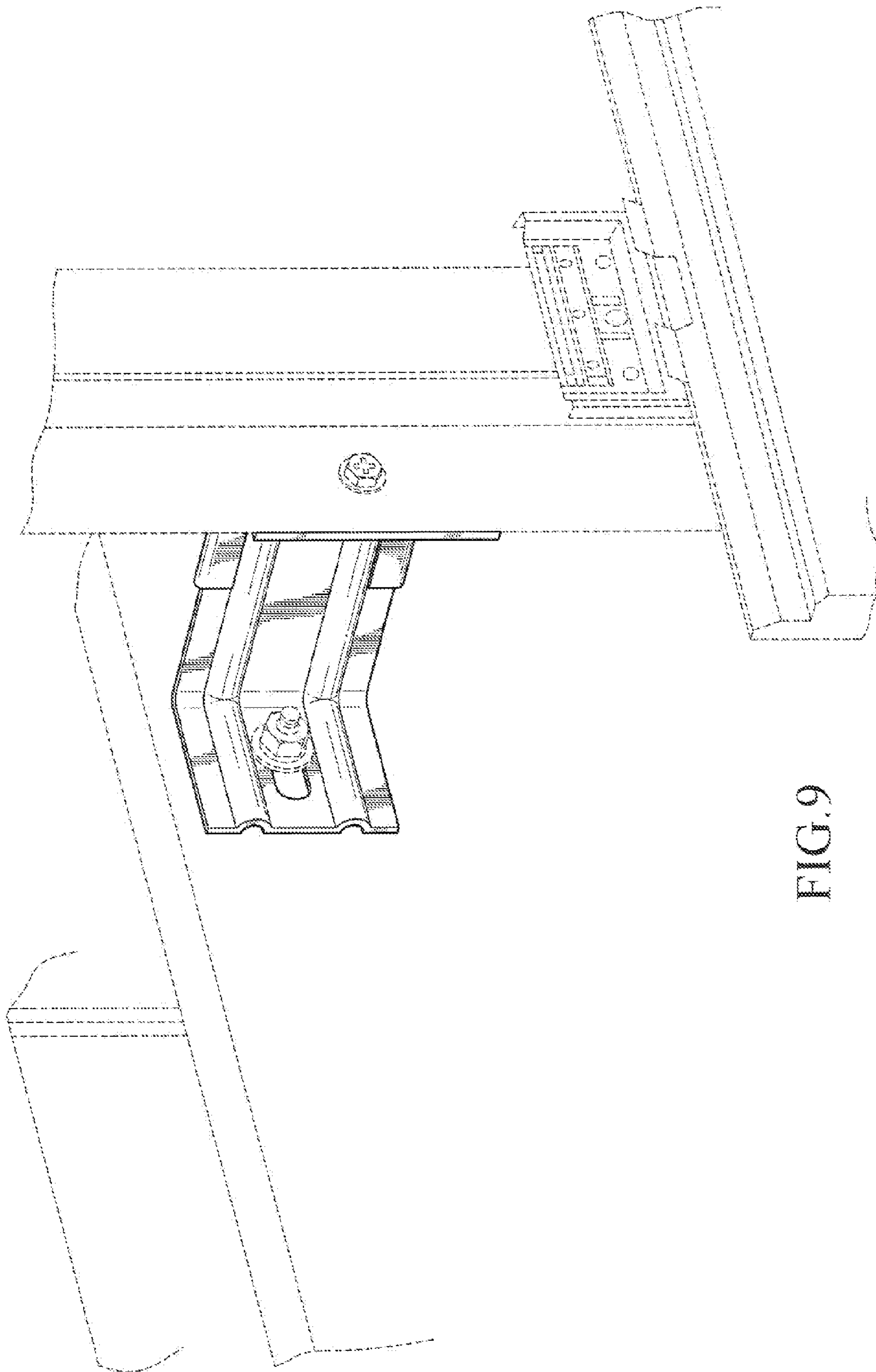


FIG. 9