

US00D569231S

(12) **United States Design Patent**
Terada et al.

(10) **Patent No.:** **US D569,231 S**

(45) **Date of Patent:** **** May 20, 2008**

(54) **ATTACHMENT BRACKET**

(75) Inventors: **Naoki Terada**, Tokyo (JP); **Kouichi Wakasugi**, Tokyo (JP); **Kenichi Chiyoda**, Tokyo (JP); **Harunobu Saito**, Tokyo (JP); **Takashi Kunishita**, Tokyo (JP); **Hideki Tachikawa**, Tokyo (JP); **Kenichi Kobayashi**, Tokyo (JP)

(73) Assignee: **Uchida Yoko Co., Ltd.**, Tokyo (JP)

(**) Term: **14 Years**

(21) Appl. No.: **29/259,553**

(22) Filed: **May 11, 2006**

(30) **Foreign Application Priority Data**

Nov. 11, 2005 (JP) D2005-033466

(51) **LOC (8) Cl.** **08-05**

(52) **U.S. Cl.** **D8/354**

(58) **Field of Classification Search** D8/349,
D8/354; 248/200, 300
See application file for complete search history.

(56) **References Cited**

U.S. PATENT DOCUMENTS

5,873,701 A * 2/1999 Shiu 416/205

D414,677 S * 10/1999 Davies D8/354
D422,885 S * 4/2000 Marino et al. D8/354
D426,453 S * 6/2000 Stearns et al. D8/354
6,499,934 B1 * 12/2002 Kaczmariski et al. 414/723
6,866,154 B2 * 3/2005 Hartman et al. 211/26

* cited by examiner

Primary Examiner—Holly H. Baynham

(74) *Attorney, Agent, or Firm*—Rader, Fishman & Grauer, PLLC

(57) **CLAIM**

We claim the ornamental design for an attachment bracket, as shown.

DESCRIPTION

FIG. 1 is a perspective view of an attachment bracket showing my new design;

FIG. 2 is a front elevational view thereof;

FIG. 3 is a rear elevational view thereof;

FIG. 4 is a right side elevational view thereof; the left side elevational view being a mirror image thereof;

FIG. 5 is a top plan view thereof; and,

FIG. 6 is a bottom plan view thereof.

1 Claim, 6 Drawing Sheets

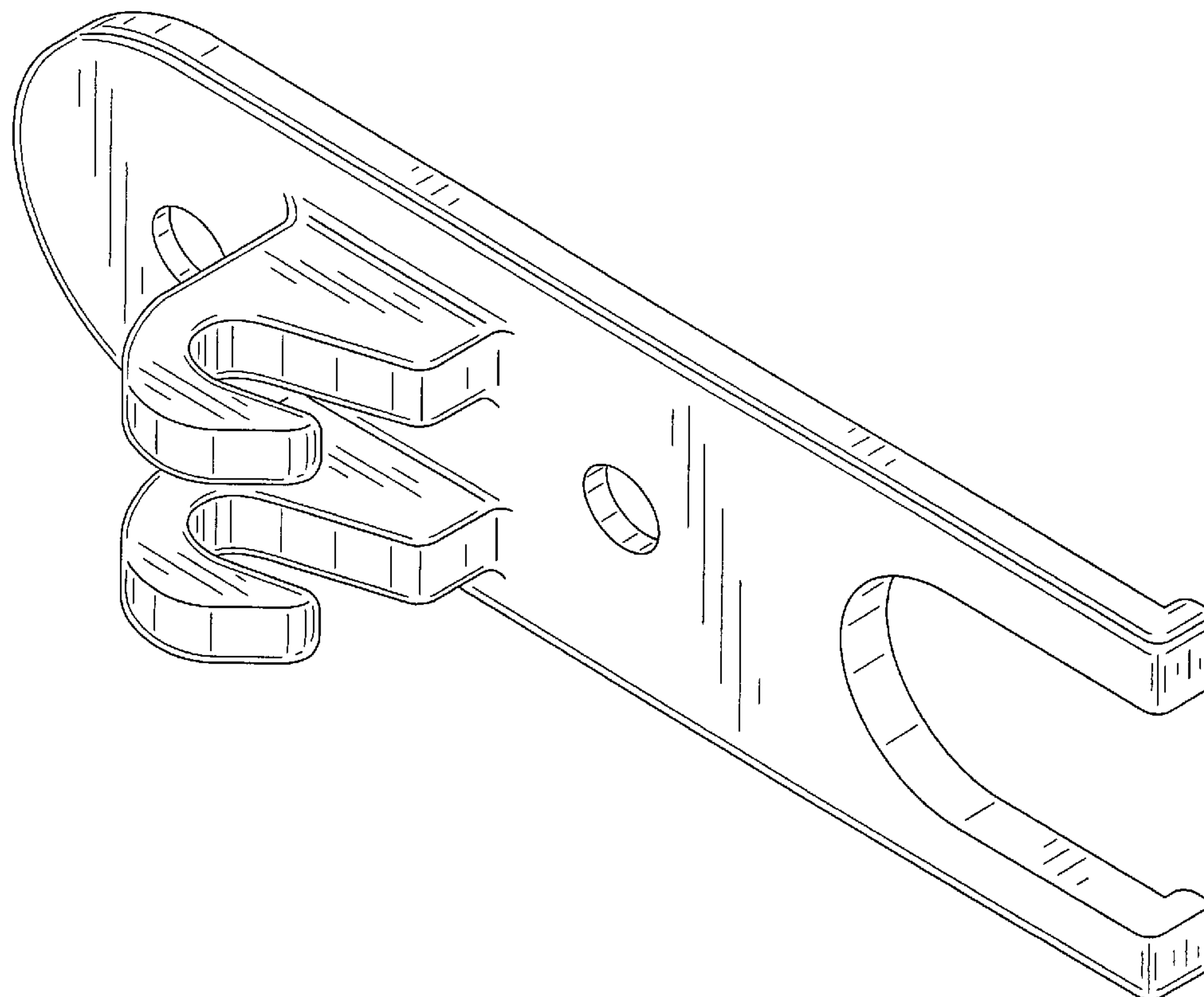


Fig. 1

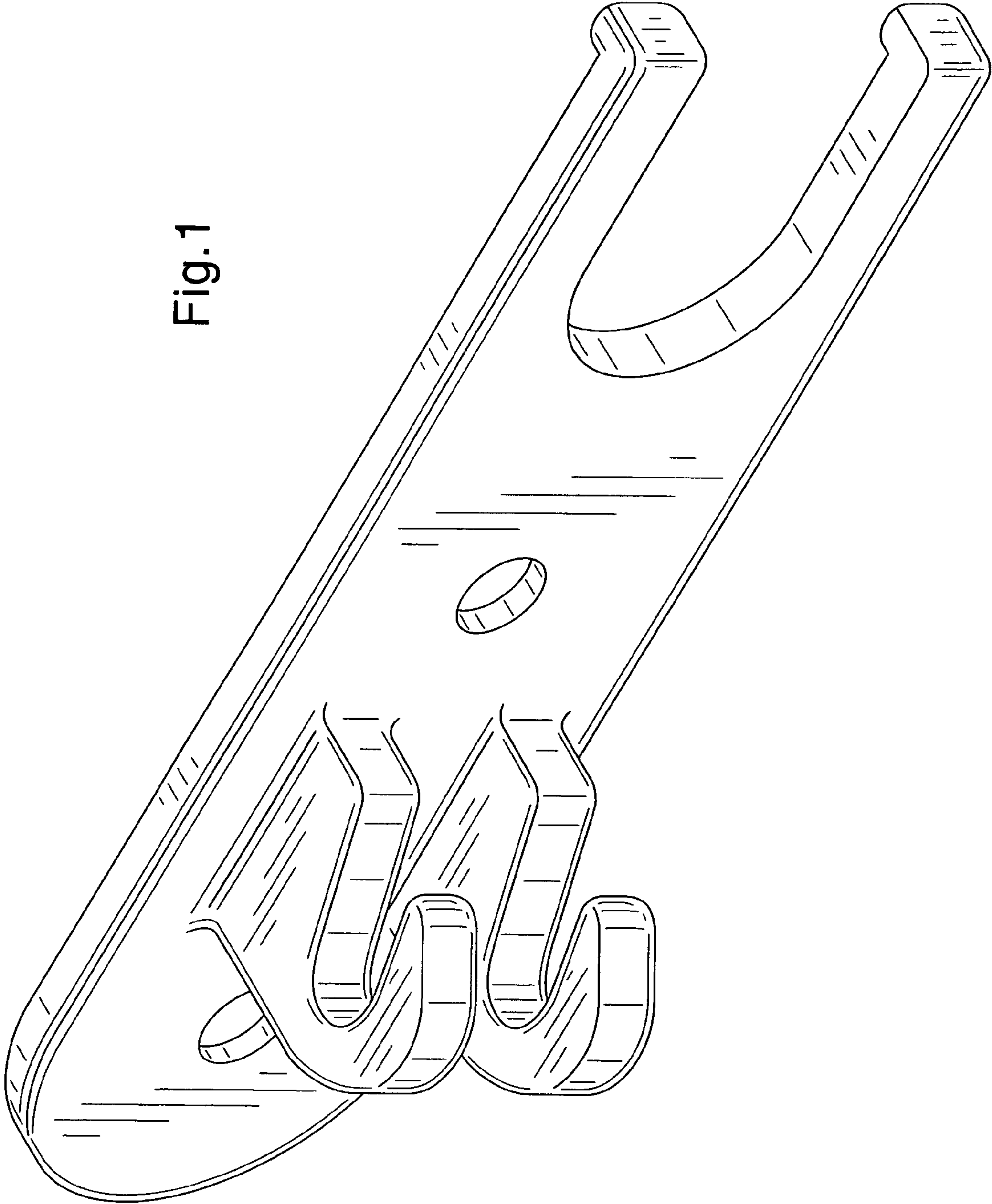


Fig.2

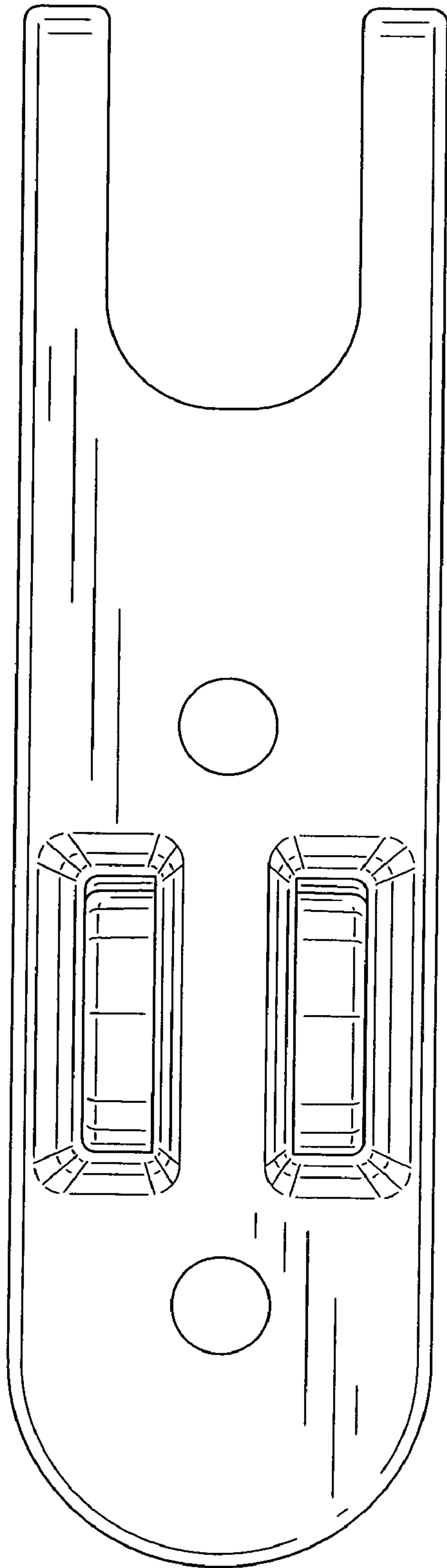


Fig.3

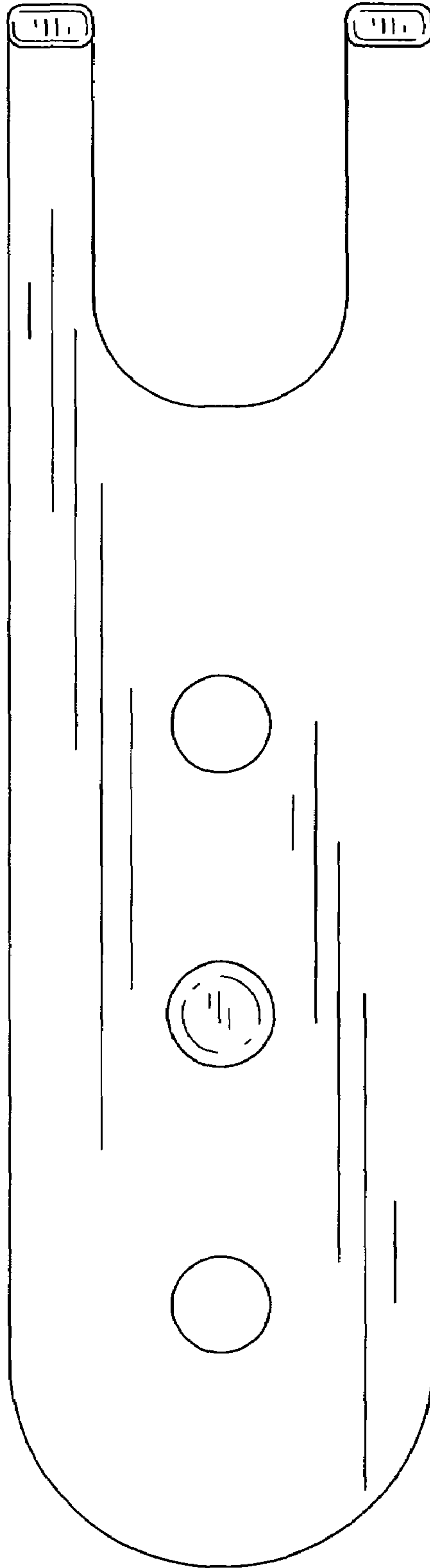


Fig.4

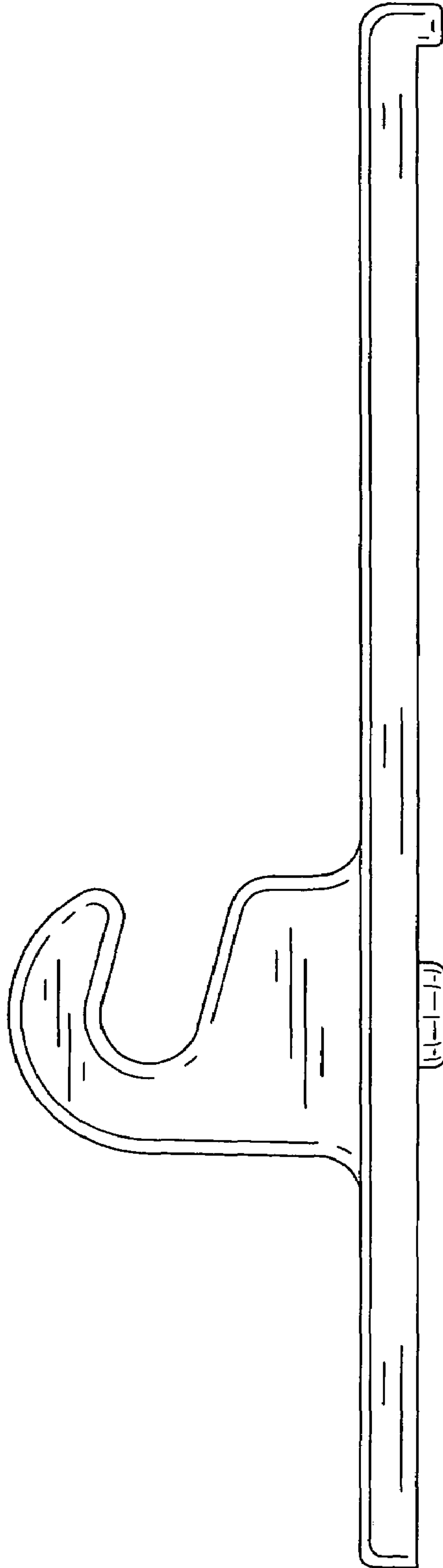


Fig. 5

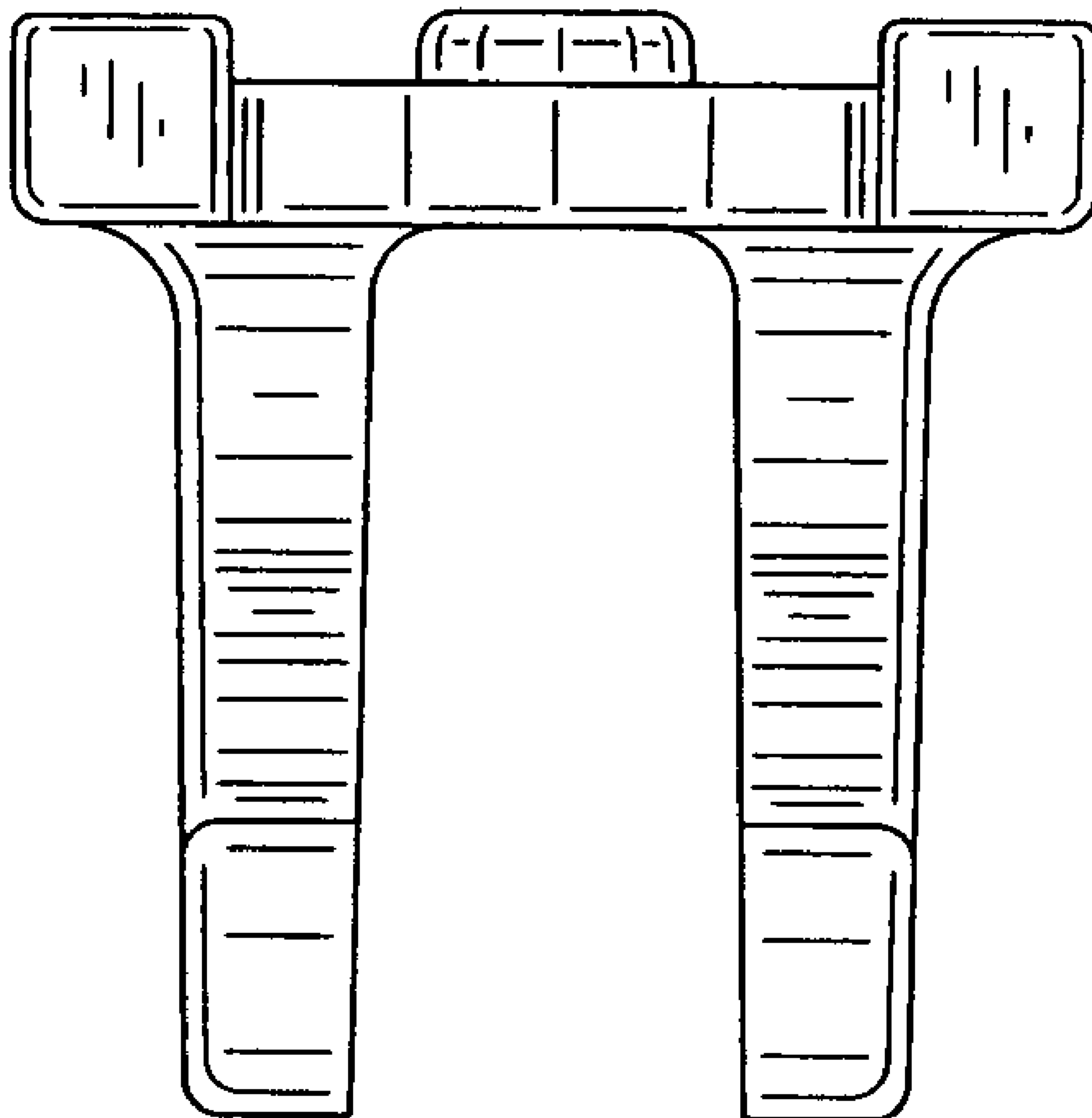


Fig.6

