



US00D569230S

(12) **United States Design Patent**  
**Terada et al.**

(10) **Patent No.:** **US D569,230 S**

(45) **Date of Patent:** **\*\* May 20, 2008**

(54) **ATTACHMENT BRACKET**

(75) Inventors: **Naoki Terada**, Tokyo (JP); **Kouichi Wakasugi**, Tokyo (JP); **Kenichi Chiyoda**, Tokyo (JP); **Harunobu Saito**, Tokyo (JP); **Takashi Kunishita**, Tokyo (JP); **Hideki Tachikawa**, Tokyo (JP); **Kenichi Kobayashi**, Tokyo (JP)

(73) Assignee: **Uchida Yoko Co., Ltd.**, Tokyo (JP)

(\*\*) Term: **14 Years**

(21) Appl. No.: **29/259,552**

(22) Filed: **May 11, 2006**

(30) **Foreign Application Priority Data**

Nov. 11, 2005 (JP) ..... D2000-033465

(51) **LOC (8) Cl.** ..... **08-05**

(52) **U.S. Cl.** ..... **D8/354**

(58) **Field of Classification Search** ..... D8/349,  
D8/354; 248/200, 300

See application file for complete search history.

(56) **References Cited**

**U.S. PATENT DOCUMENTS**

5,873,701 A \* 2/1999 Shiu ..... 416/205

D414,677 S \* 10/1999 Davies ..... D8/354  
D422,885 S \* 4/2000 Marino et al. .... D8/354  
D426,453 S \* 6/2000 Stearns et al. .... D8/354  
6,499,934 B1 \* 12/2002 Kaczmariski et al. .... 414/723  
6,866,154 B2 \* 3/2005 Hartman et al. .... 211/26

\* cited by examiner

*Primary Examiner*—Holly H. Baynham

(74) *Attorney, Agent, or Firm*—Rader, Fishman & Grauer, PLLC

(57) **CLAIM**

We claim the ornamental design for an attachment bracket, as shown.

**DESCRIPTION**

FIG. 1 is a perspective view of an attachment bracket showing my new design;

FIG. 2 is a front elevational view thereof;

FIG. 3 is a rear elevational view thereof;

FIG. 4 is a right side elevational view thereof;

FIG. 5 is a left side elevational view thereof;

FIG. 6 is a top plan view thereof; and,

FIG. 7 is a bottom plan view thereof.

**1 Claim, 7 Drawing Sheets**

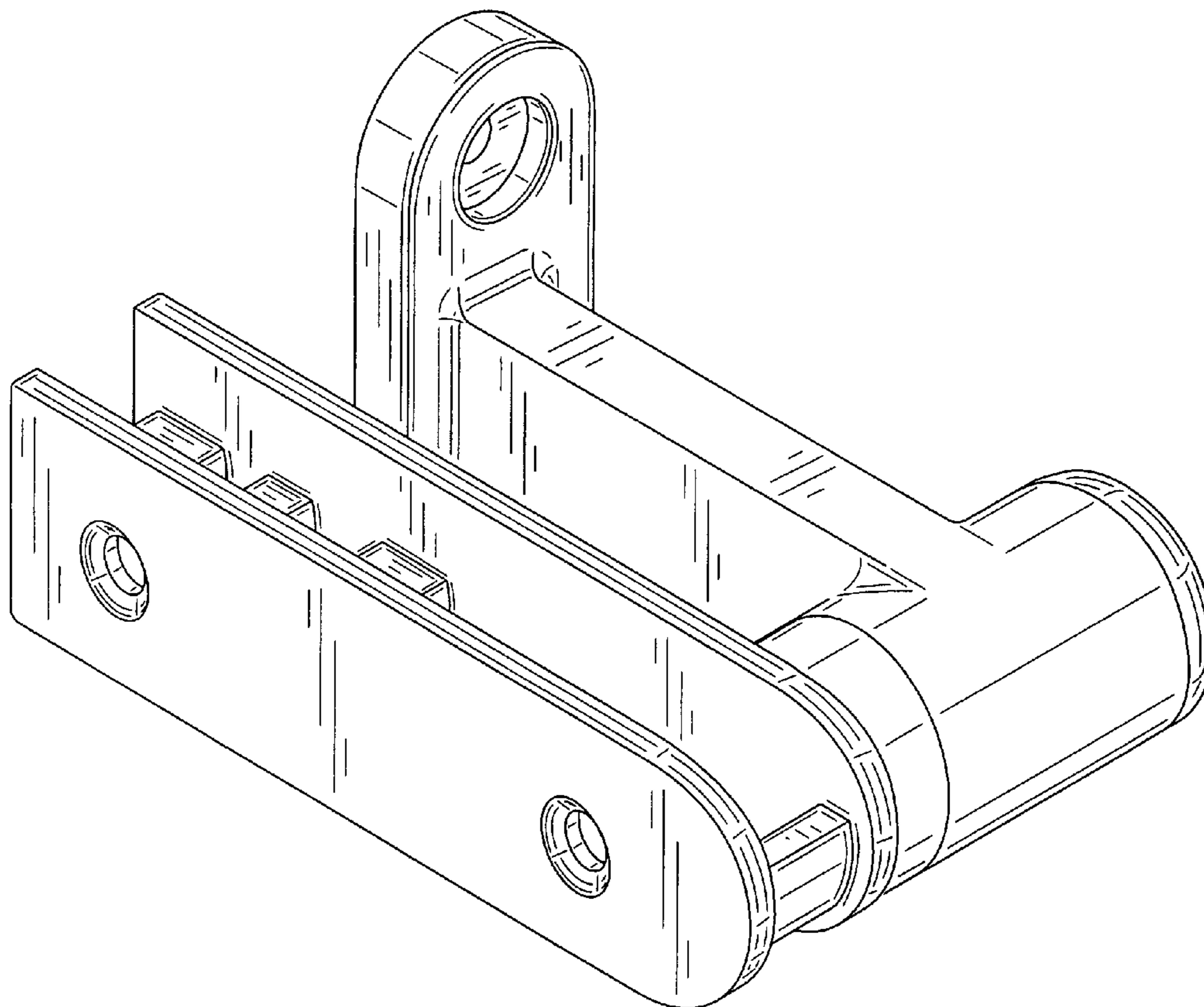


Fig. 1

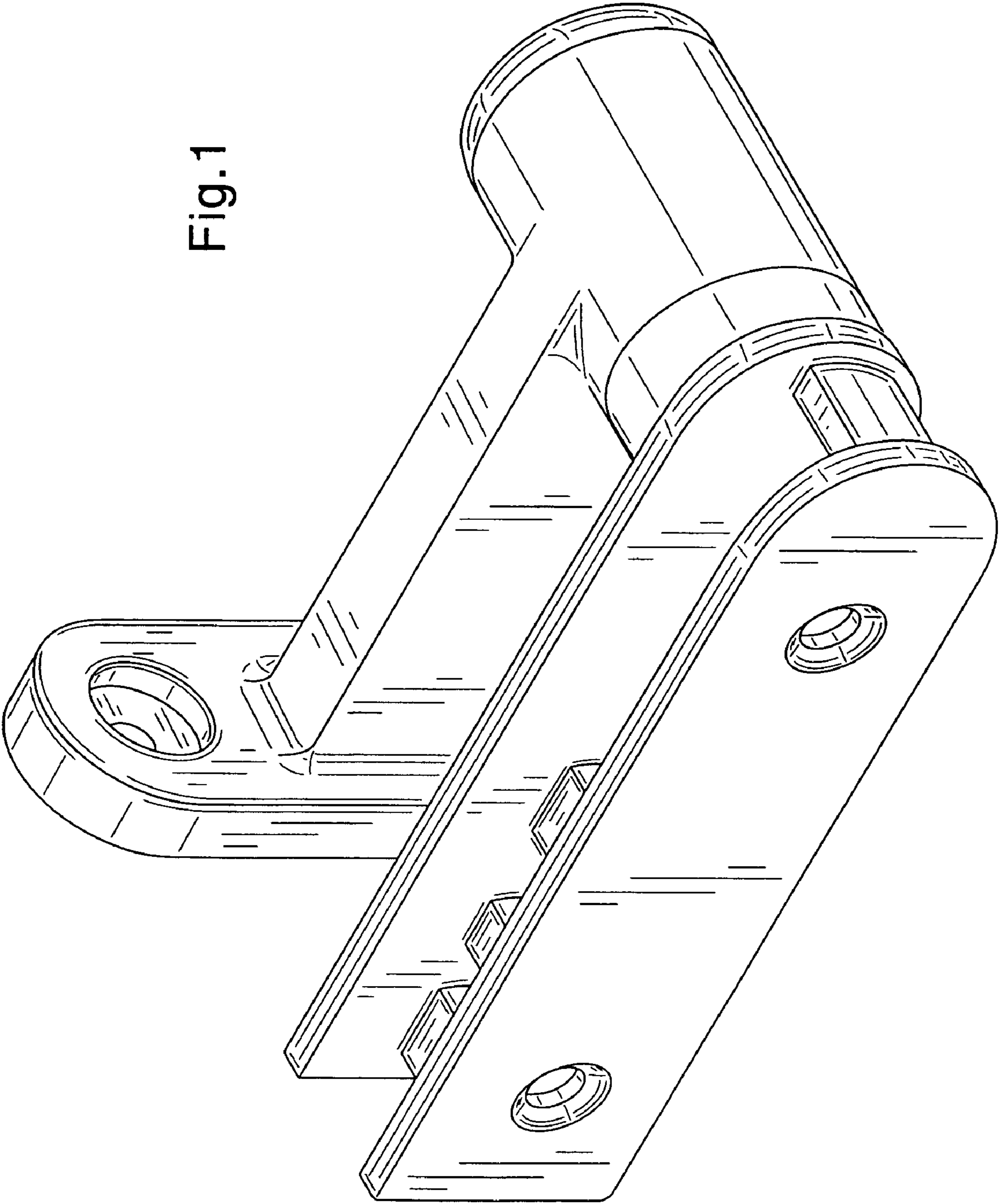
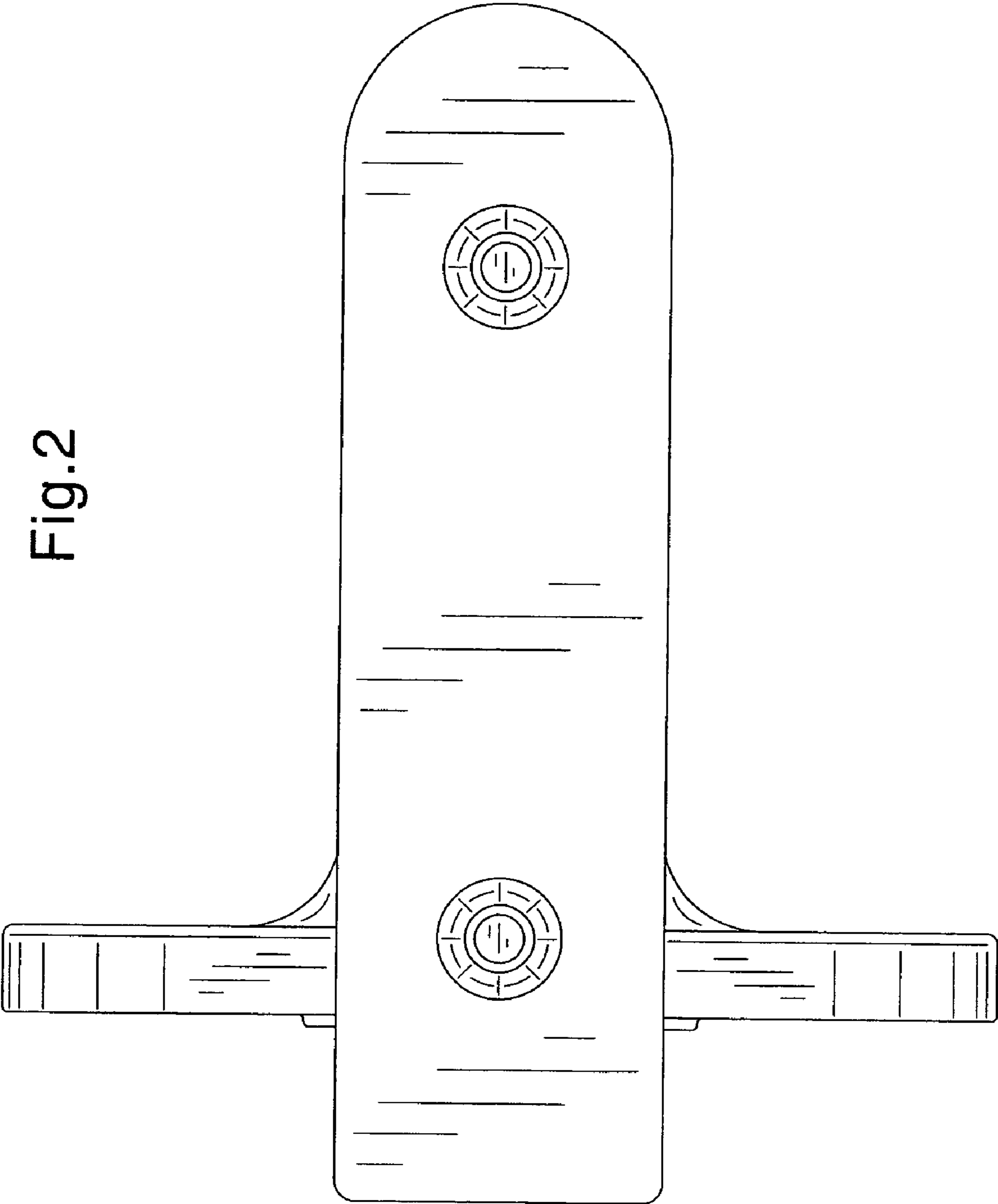


Fig.2



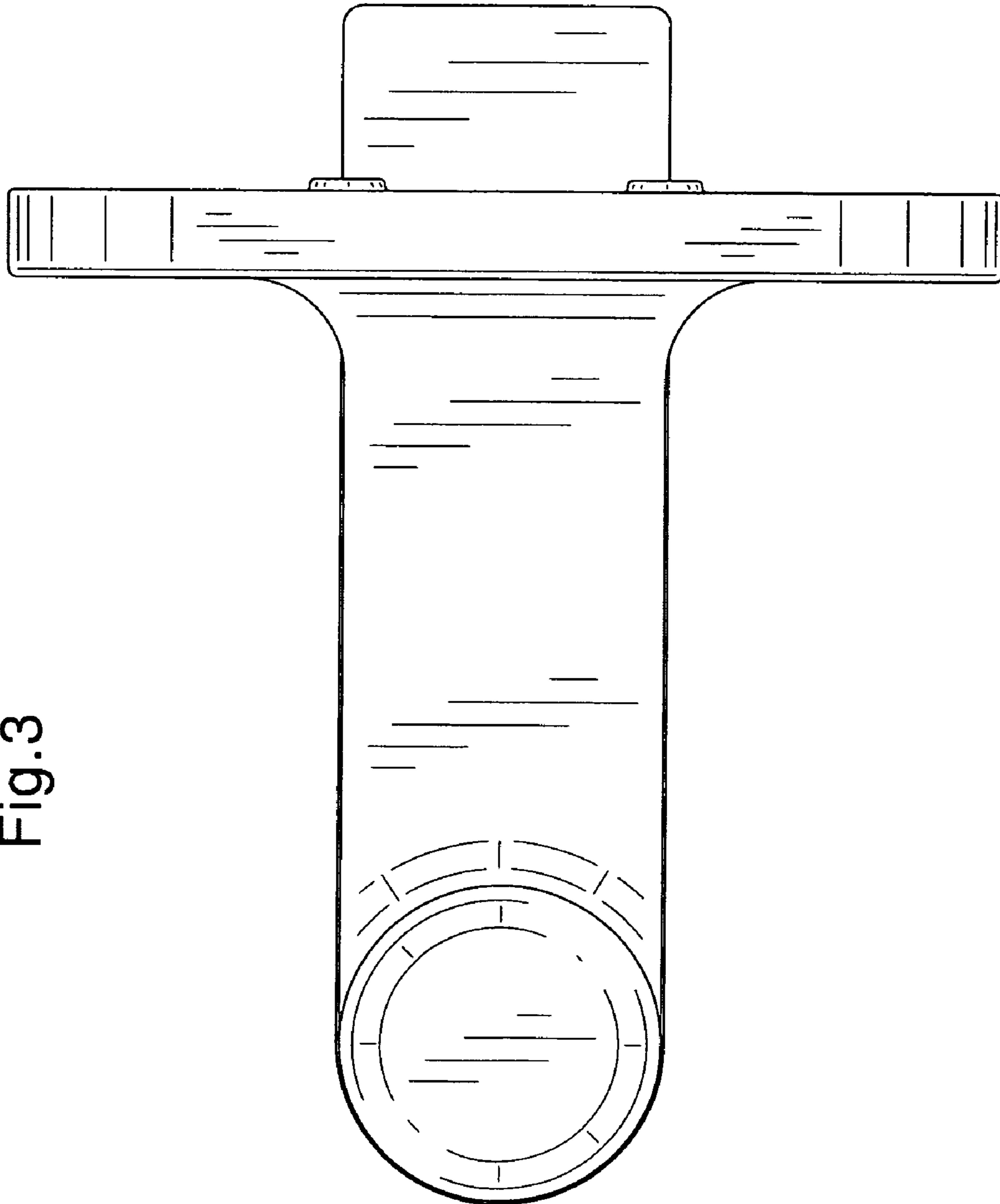


Fig. 3

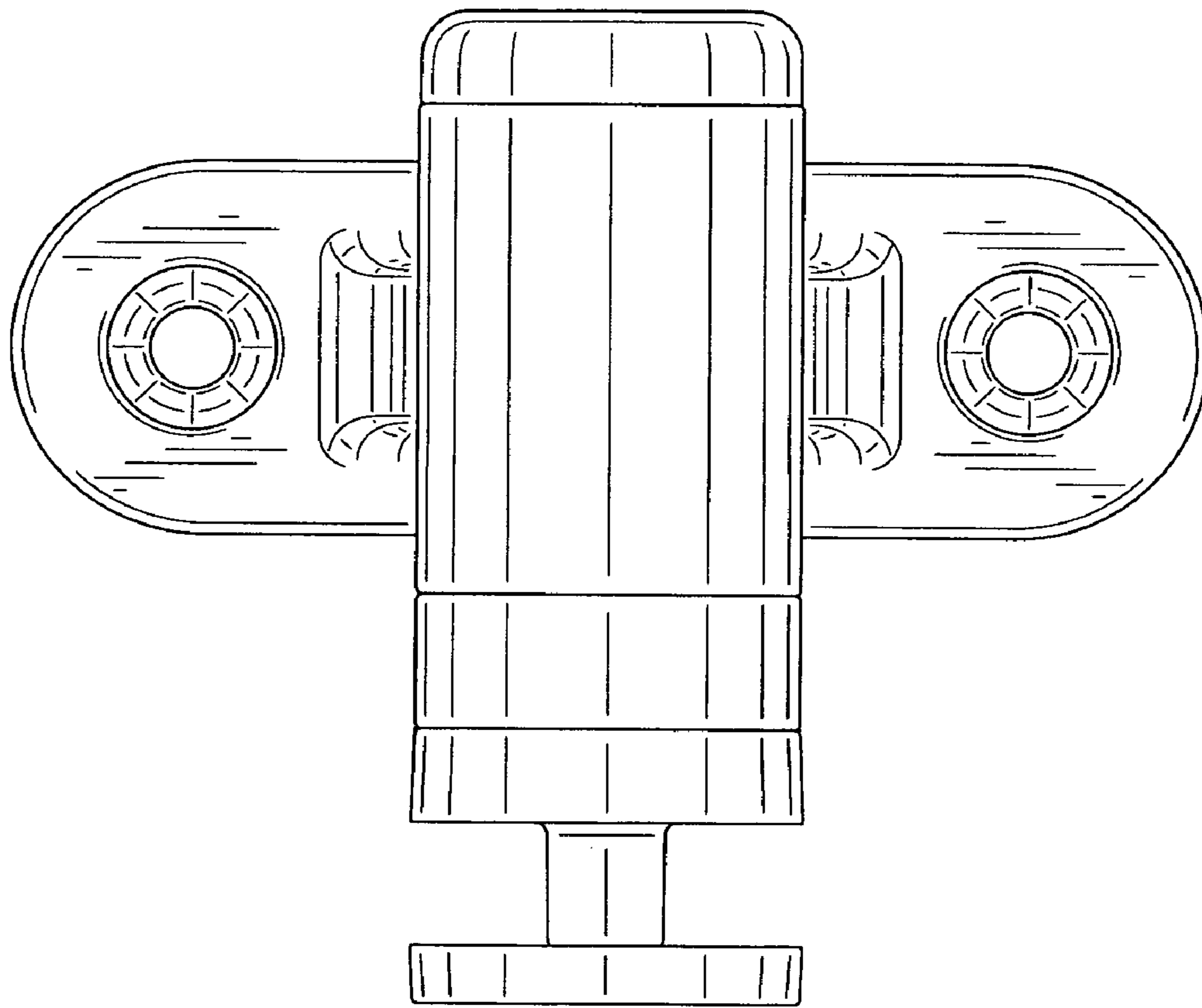


Fig.4

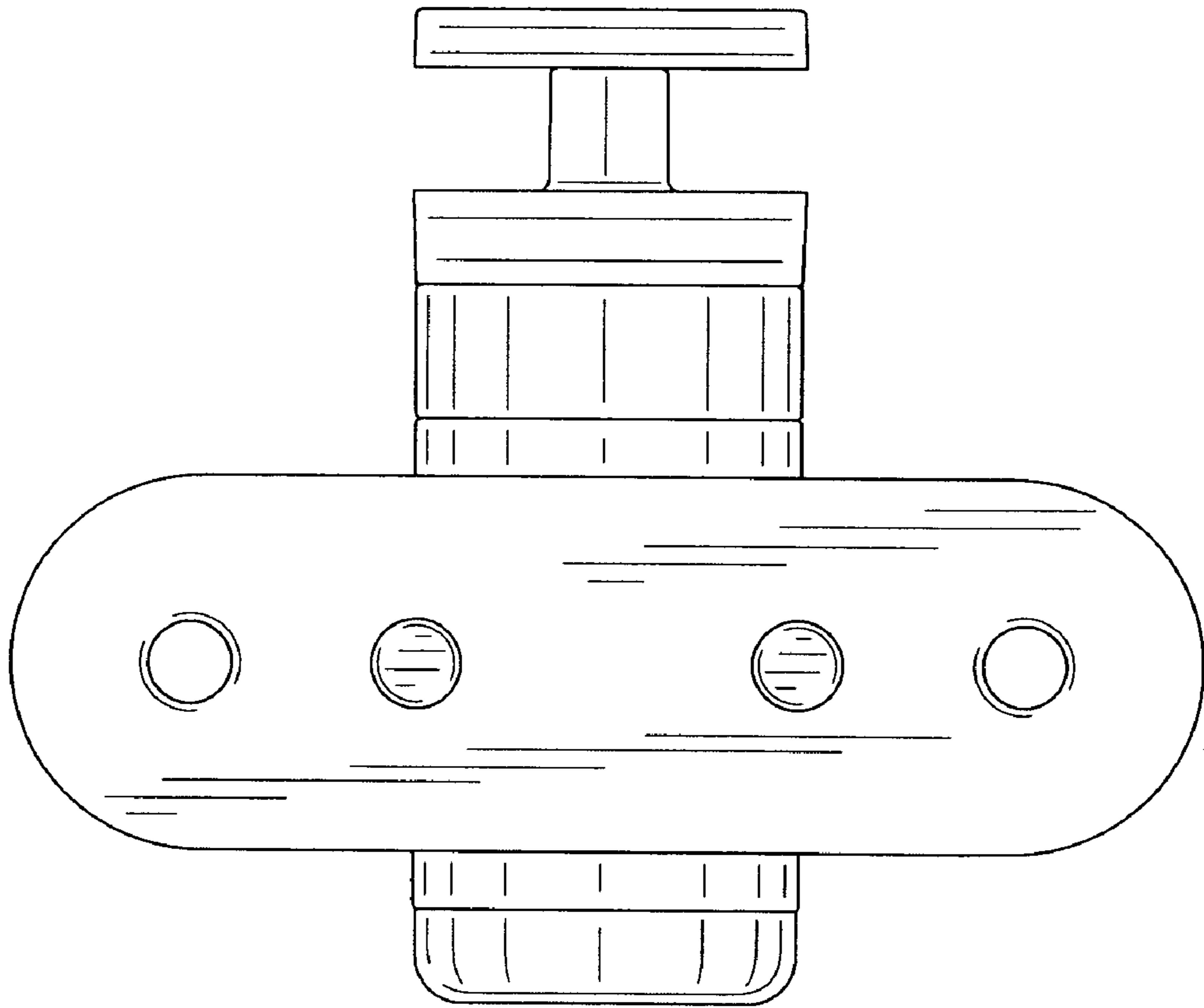
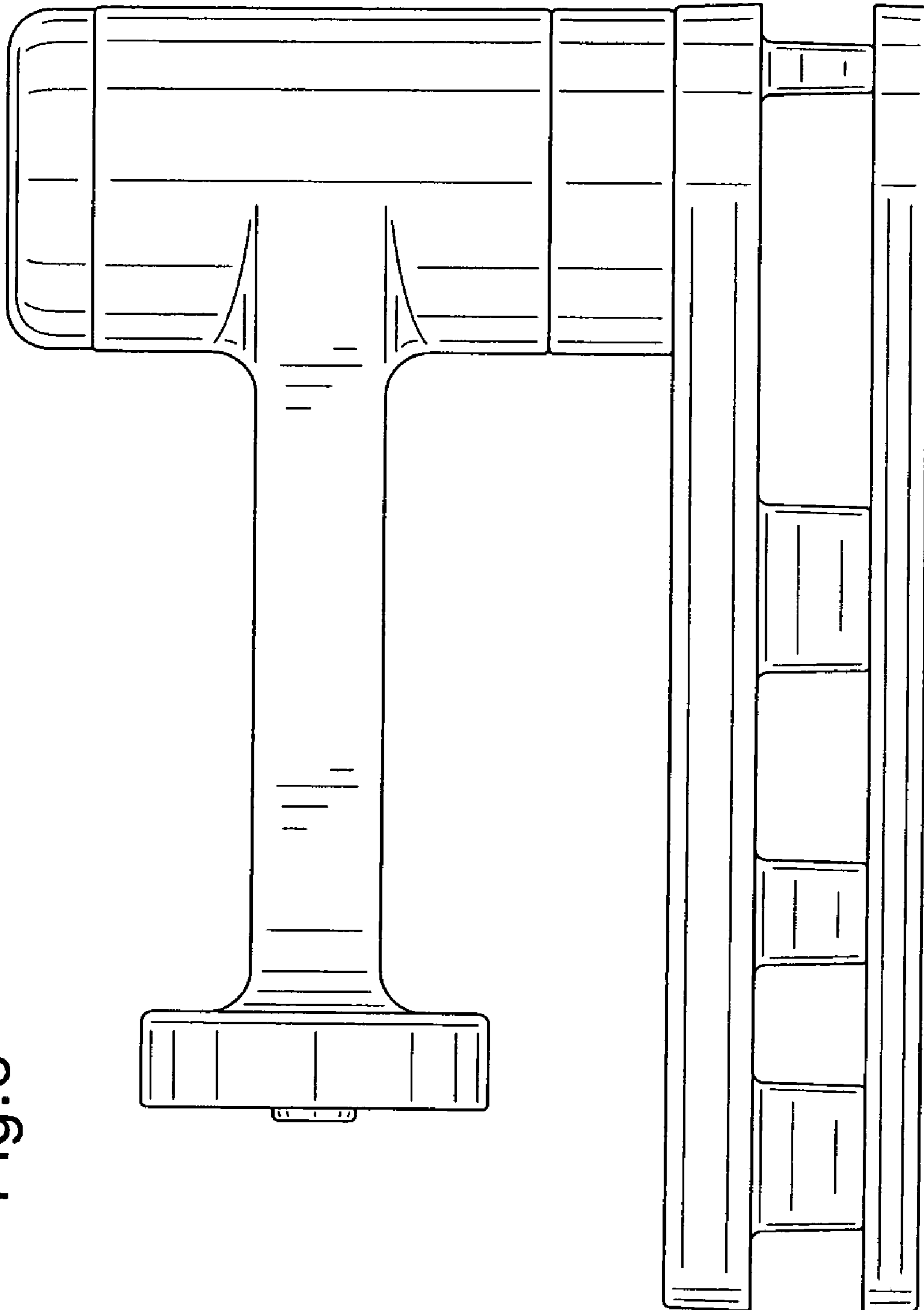


Fig. 5

Fig. 6



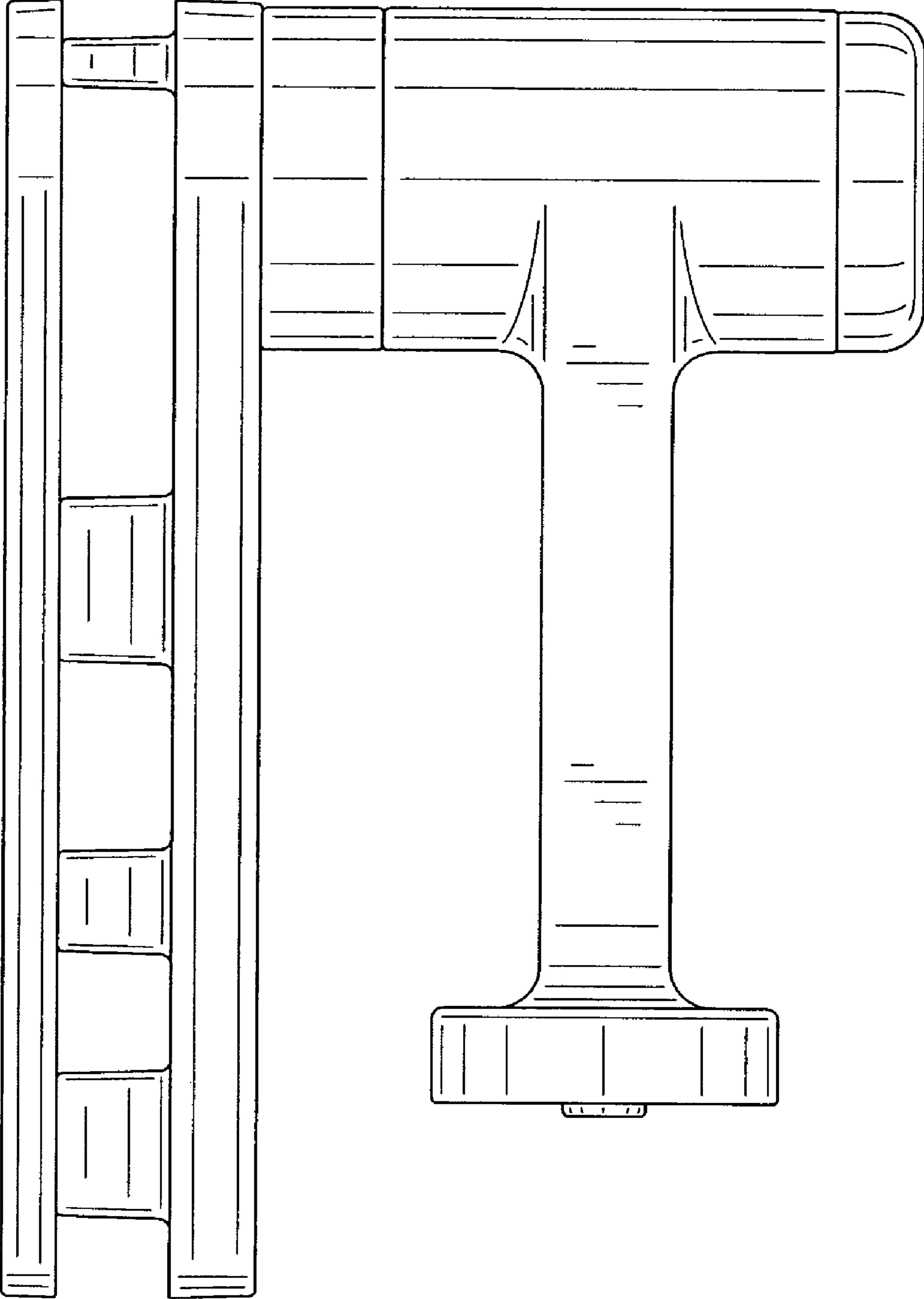


Fig. 7