

US00D569224S

(12) **United States Design Patent**
Janethana-arthakij

(10) **Patent No.:** **US D569,224 S**

(45) **Date of Patent:** **** May 20, 2008**

(54) **CORE HOUSING FOR LOCK/KEY ASSEMBLY**

D531,883 S * 11/2006 Cutler et al. D8/343

(76) Inventor: **Suvichai Janethana-arthakij**, 437 Moo
2 Bangpakok, Ratburana, Bangkok
10140 (TH)

* cited by examiner

Primary Examiner—Mitchell Siegel
(74) *Attorney, Agent, or Firm*—Pearne & Gordon LLP

(**) Term: **14 Years**

(57) **CLAIM**

(21) Appl. No.: **29/269,181**

The ornamental design for a core housing for lock/key assembly, as shown and described.

(22) Filed: **Nov. 22, 2006**

(30) **Foreign Application Priority Data**

DESCRIPTION

Jun. 5, 2006 (TH) 0602001467

(51) **LOC (8) Cl.** **08-07**

FIG. 1 is a front elevational view of a core housing for lock/key assembly, showing my new design;

(52) **U.S. Cl.** **D8/343**

FIG. 2 is a back elevational view thereof;

(58) **Field of Classification Search** D8/330-348;
70/158, 163, 171, 419, 423-428, 455; 220/210,
220/253

FIG. 3 is a left side elevational view thereof;

See application file for complete search history.

FIG. 4 is a right side elevational view thereof;

FIG. 5 is a bottom plan view thereof;

(56) **References Cited**

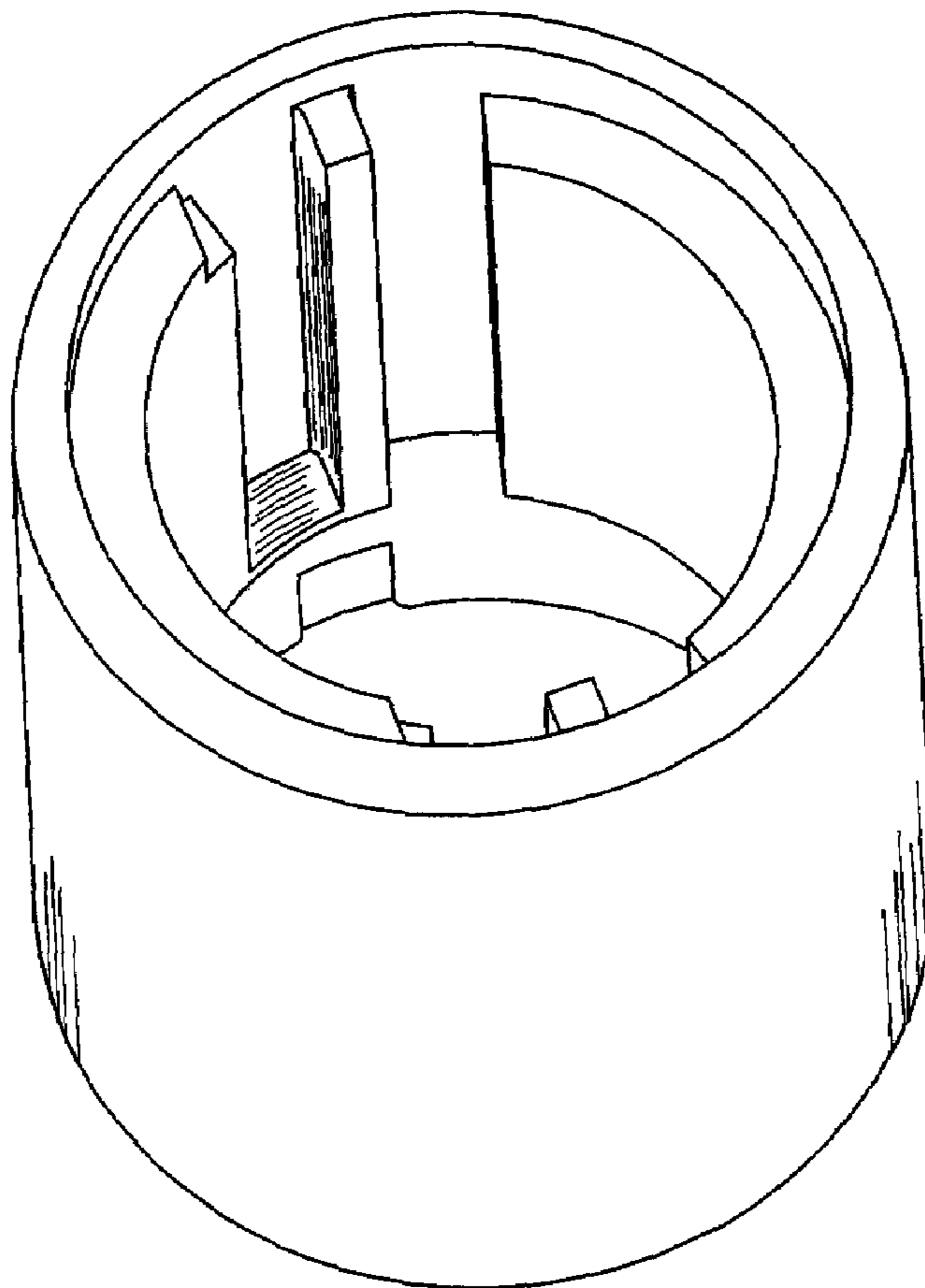
FIG. 6 is a top plan view thereof; and,

FIG. 7 is a perspective view thereof.

U.S. PATENT DOCUMENTS

4,986,097 A * 1/1991 Derman 70/158

1 Claim, 7 Drawing Sheets



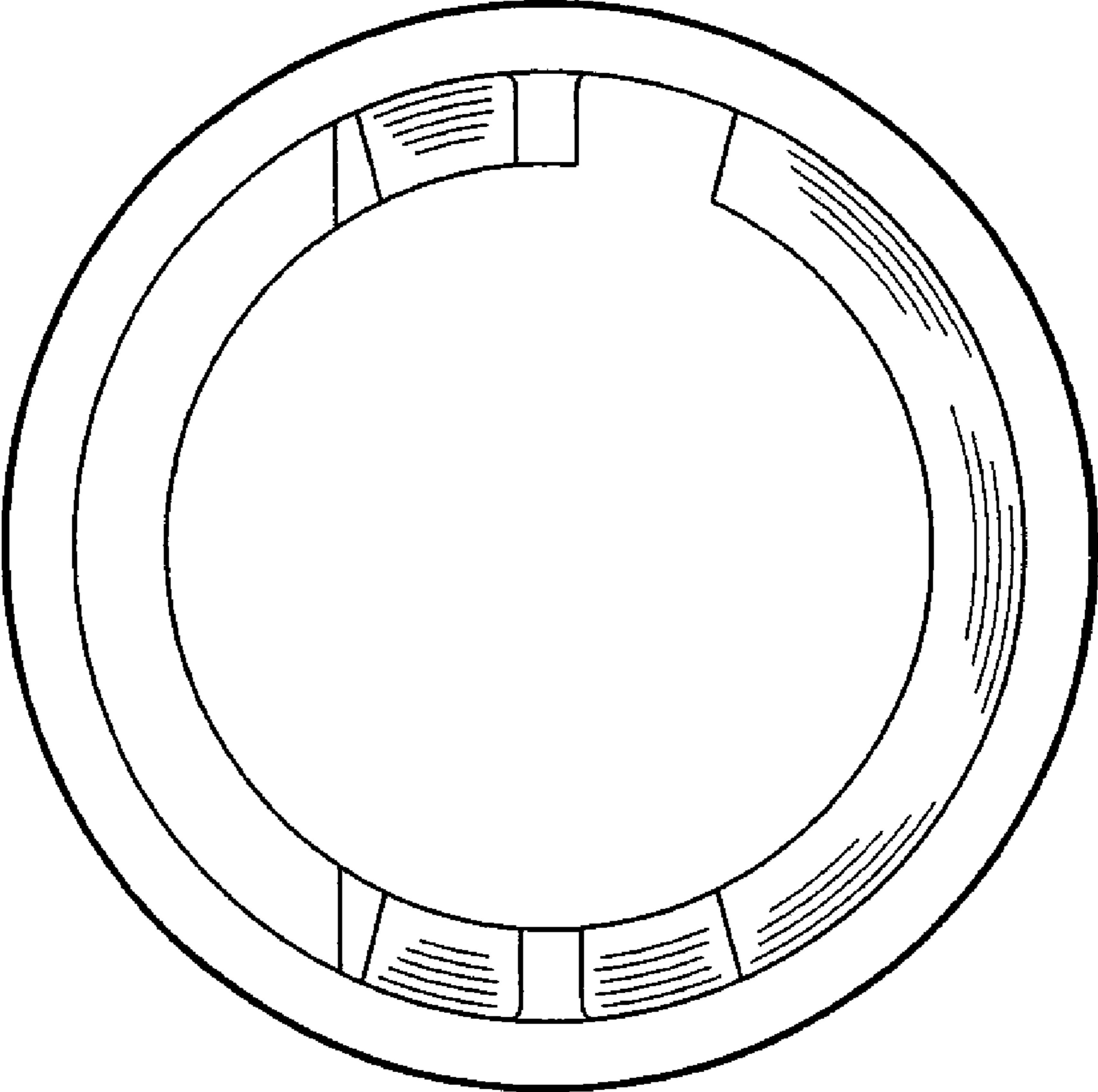


FIG. 1

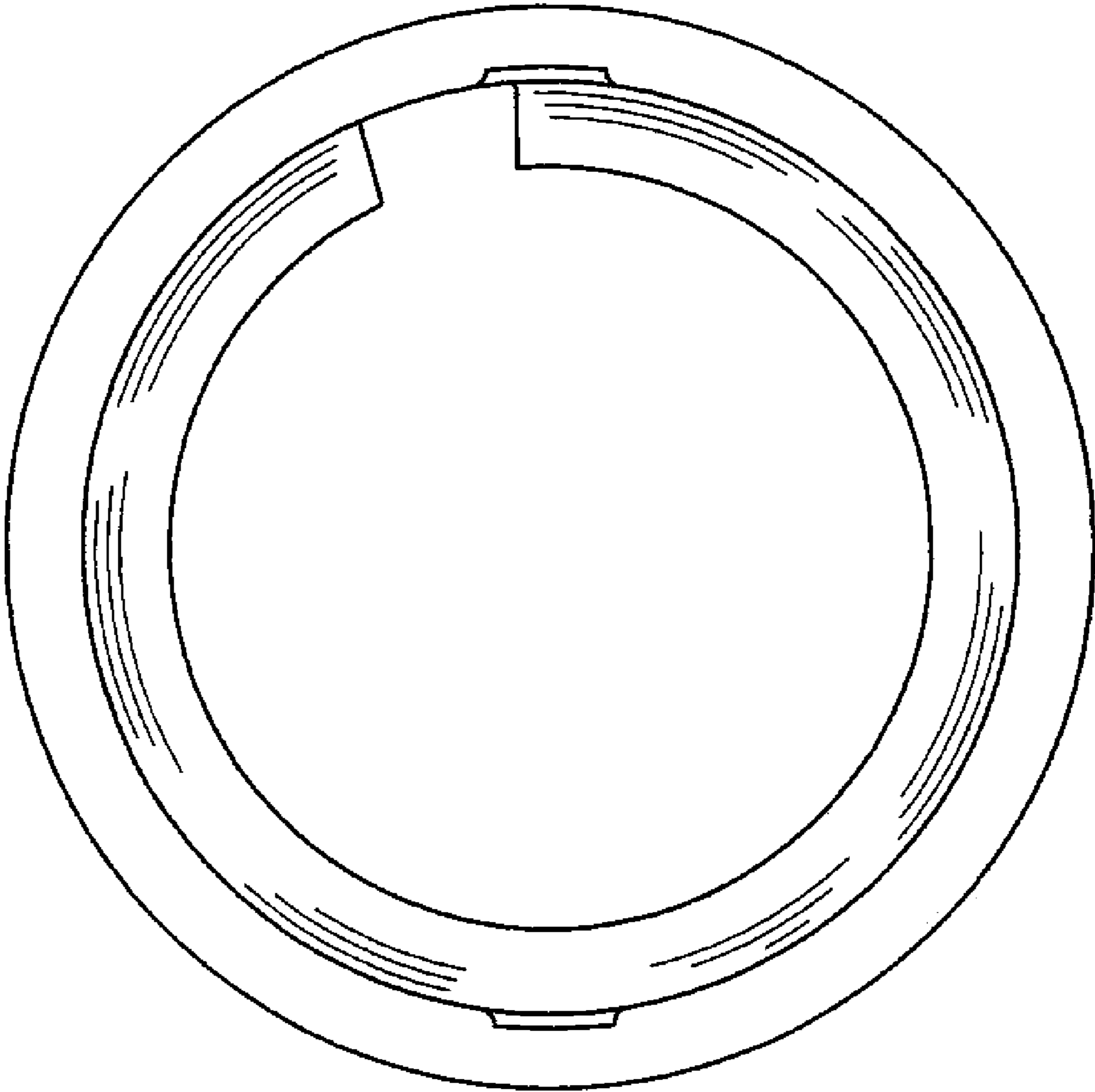


FIG. 2

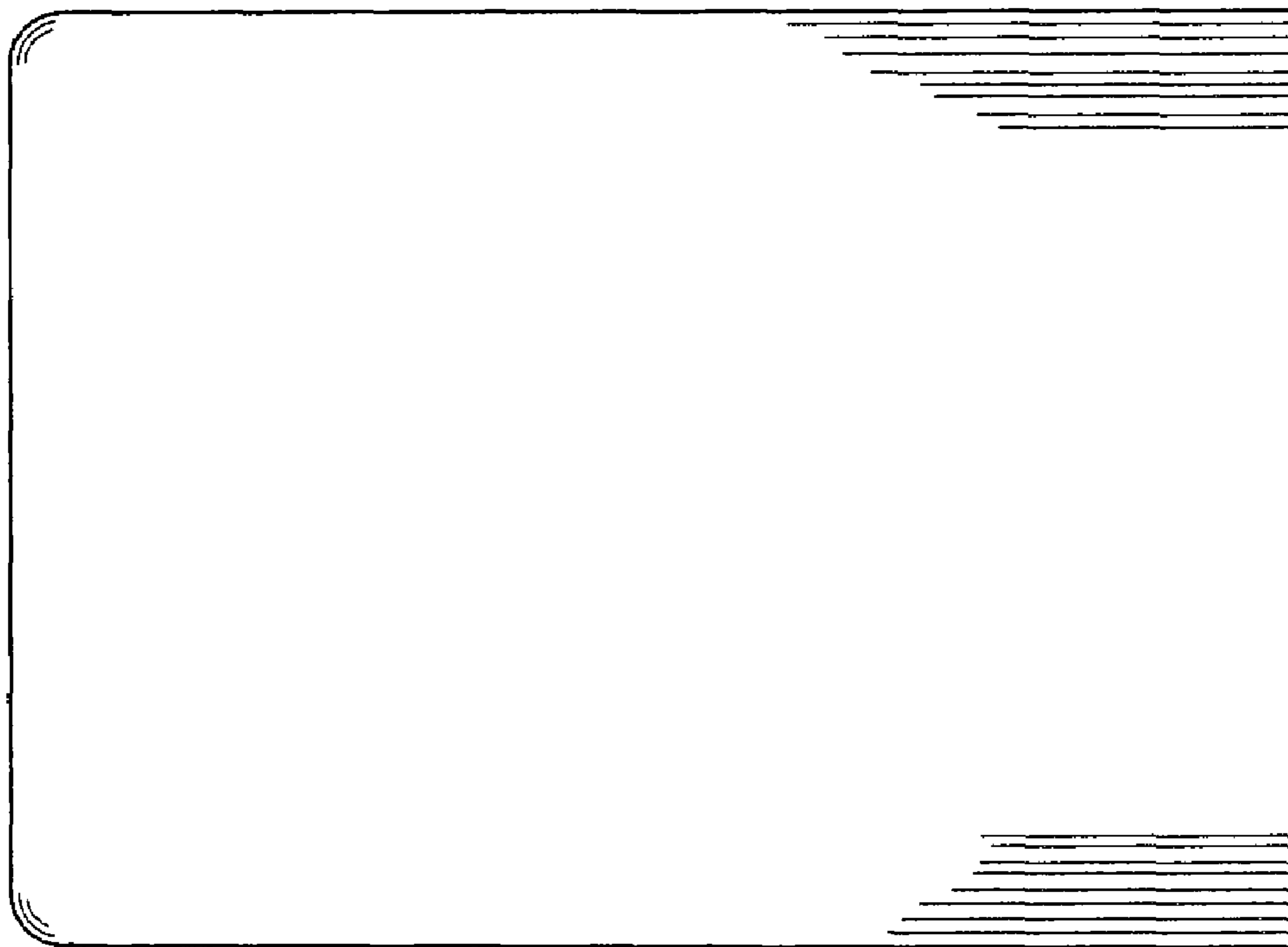


FIG. 3

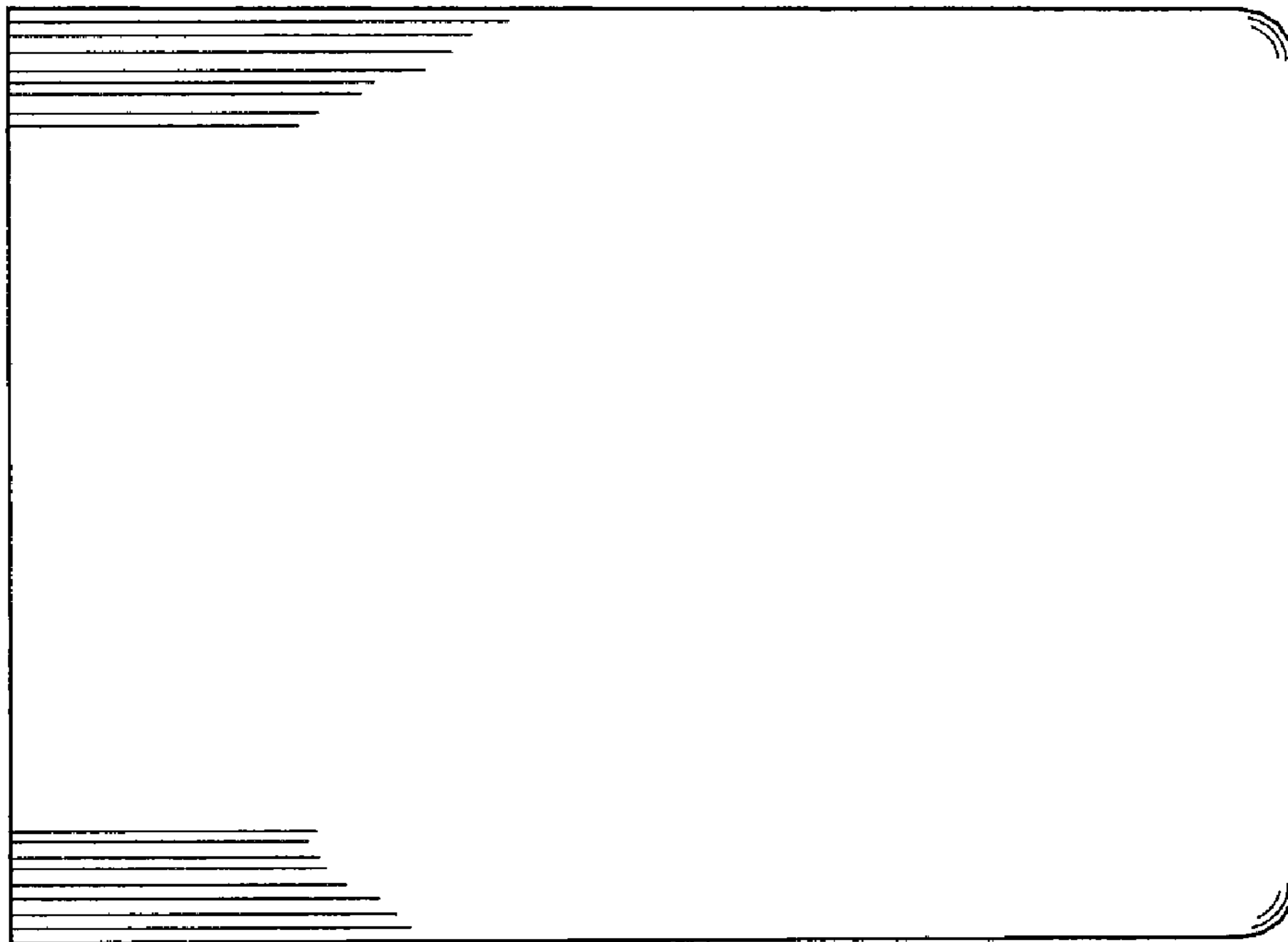


FIG. 4

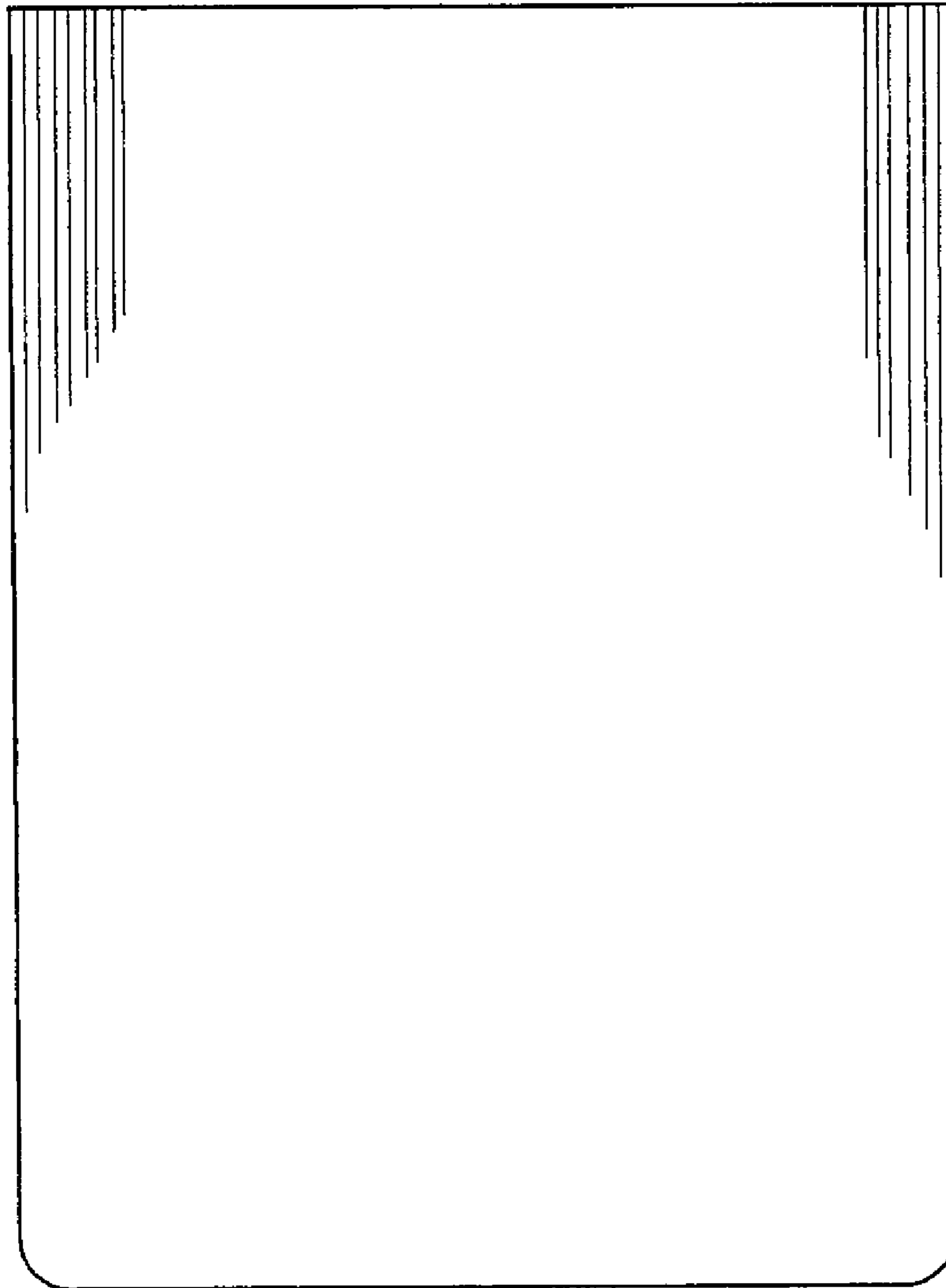


FIG. 5

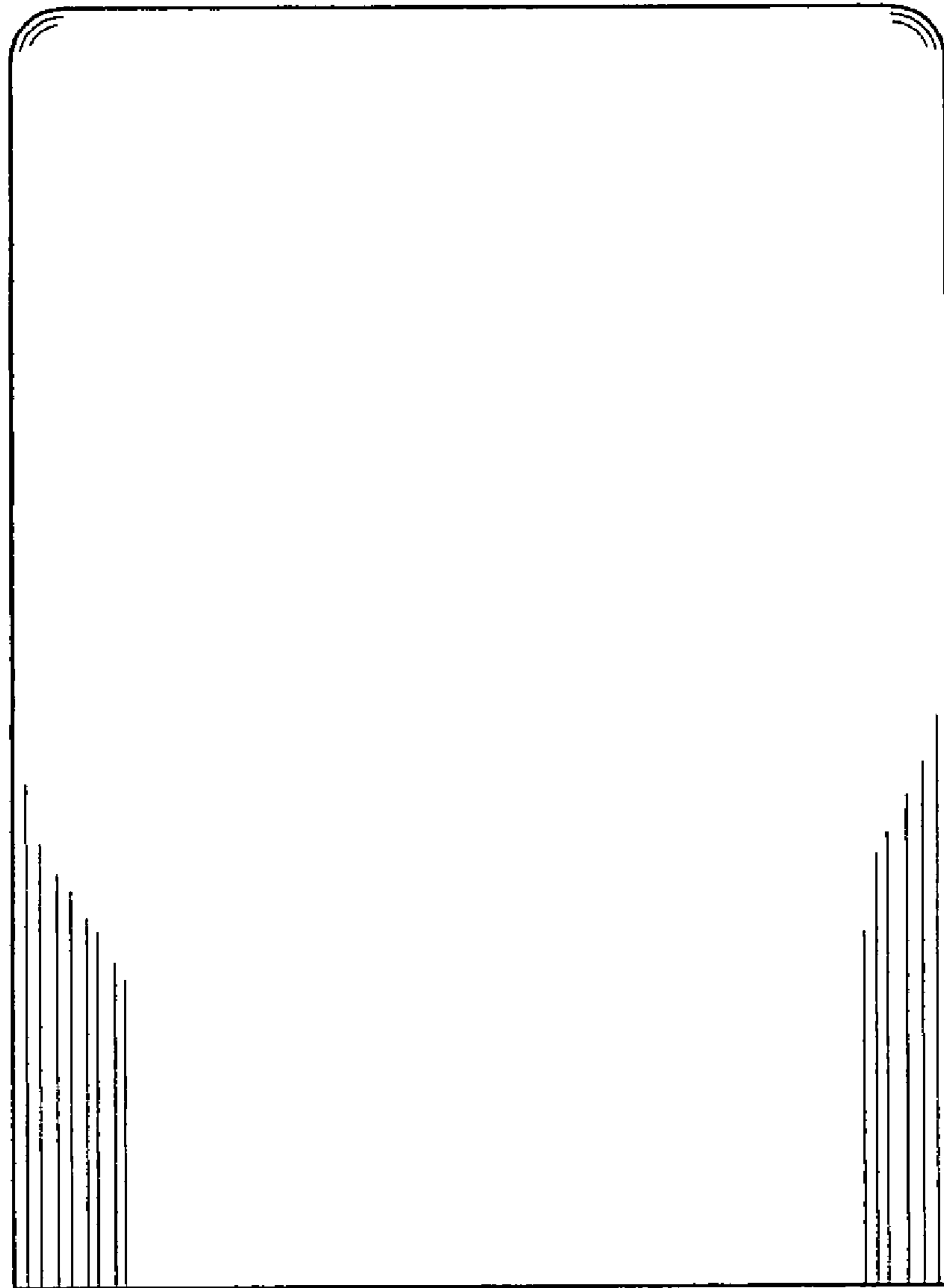


FIG. 6

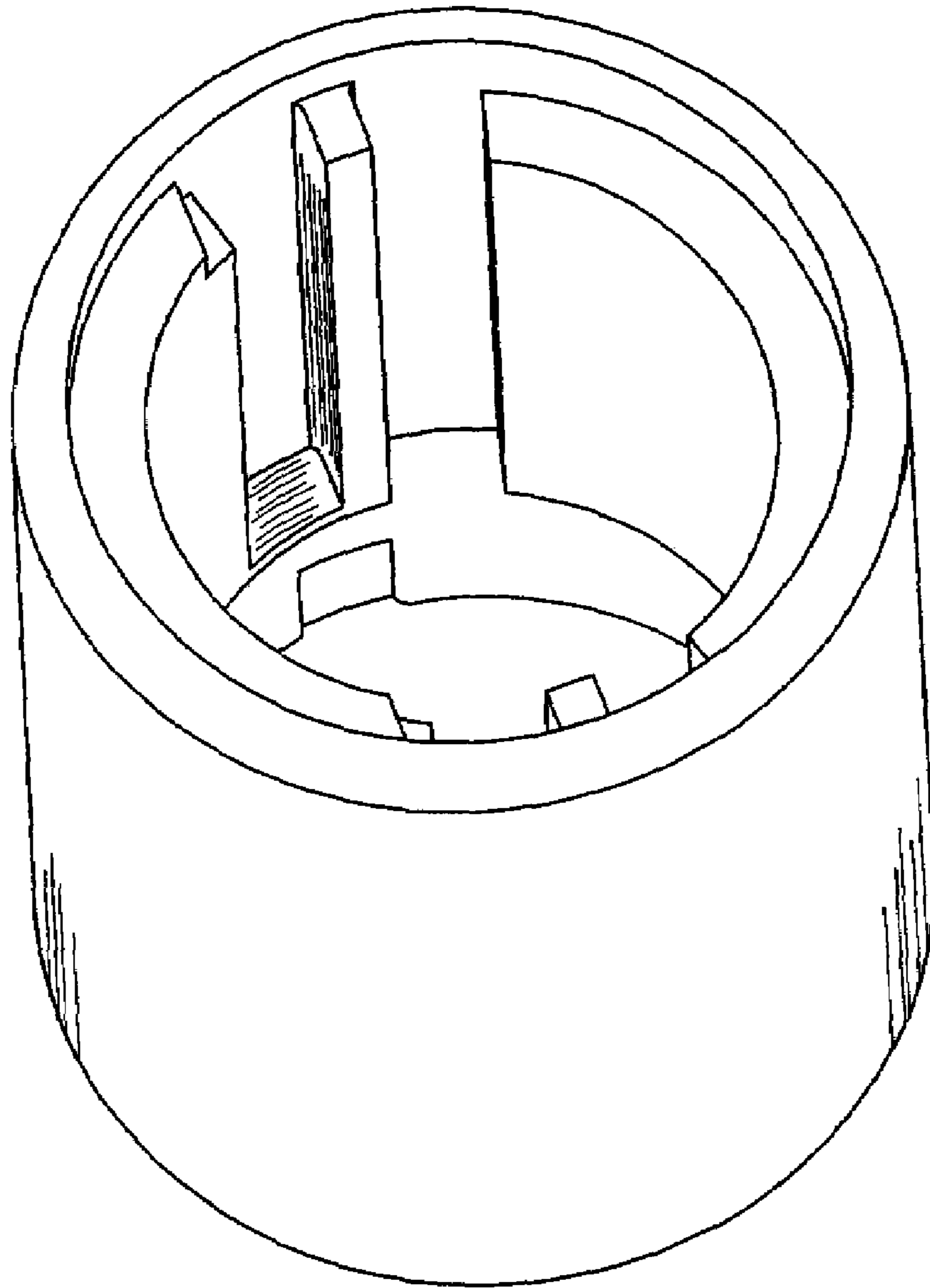


FIG. 7