

US00D569222S

(12) **United States Design Patent**
Lee

(10) **Patent No.: US D569,222 S**

(45) **Date of Patent: ** May 20, 2008**

(54) **SASH LOCK**

(75) Inventor: **Chia Ying Lee**, Chicago, IL (US)

(73) Assignee: **Liberty Hardware Mfg. Corp.**,
Winston-Salem, NC (US)

(**) Term: **14 Years**

(21) Appl. No.: **29/286,162**

(22) Filed: **Apr. 25, 2007**

(51) **LOC (8) Cl.** **08-07**

(52) **U.S. Cl.** **D8/337**

(58) **Field of Classification Search** D8/301,
D8/302, 308, 330, 331, 333, 336, 337, 338,
D8/339, 341, 342, 349; 70/89, 90, 287; 292/108,
292/111, 139, 145, 228, 240, 241, 242
See application file for complete search history.

(56) **References Cited**

U.S. PATENT DOCUMENTS

D268,643 S *	4/1983	Anderson	D8/337
D293,548 S *	1/1988	Bates et al.	D8/337
D295,948 S *	5/1988	Mandell	D8/337
D302,651 S *	8/1989	Mosch	D8/337
D418,737 S *	1/2000	Libby et al.	D8/337
D442,058 S *	5/2001	Miller et al.	D8/337
6,983,963 B2 *	1/2006	Eslick et al.	292/242

7,017,957 B2 *	3/2006	Murphy et al.	292/241
D527,613 S *	9/2006	Omangi et al.	D8/331
D539,634 S *	4/2007	Tanaka et al.	D8/333
D553,947 S *	10/2007	Flory	D8/331
2003/0155777 A1 *	8/2003	Eslick et al.	292/108
2007/0046036 A1 *	3/2007	Kinsey	292/228

* cited by examiner

Primary Examiner—Stella M. Reid

Assistant Examiner—Shanda C. Hill

(74) *Attorney, Agent, or Firm*—Edgar A. Zarins; Lloyd D. Doigan

(57) **CLAIM**

The ornamental design for a sash lock, as shown and described.

DESCRIPTION

FIG. 1 is a perspective view of a sash lock showing my new design;

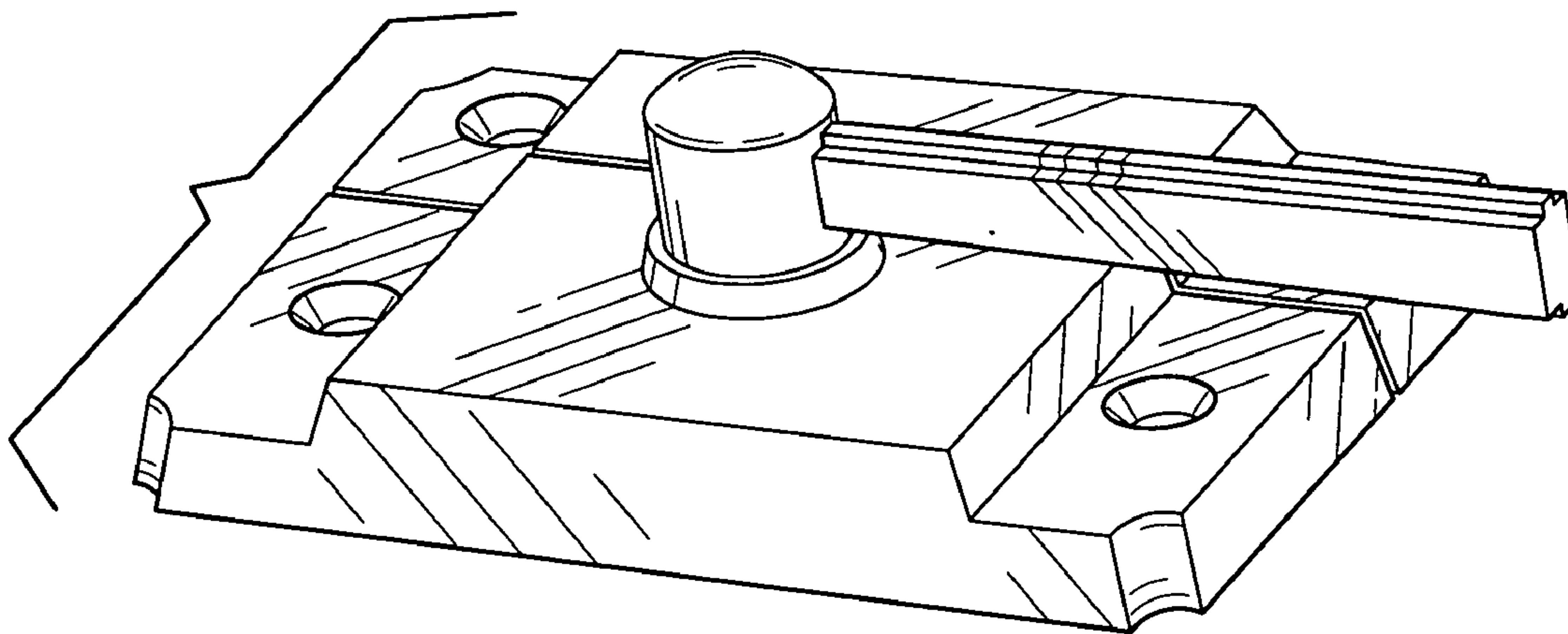
FIG. 2 is a front elevational view thereof;

FIG. 3 is a first side view thereof, the opposite side being a mirror image of the side shown;

FIG. 4 is a first end view thereof; and,

FIG. 5 is a second end view thereof.

1 Claim, 2 Drawing Sheets



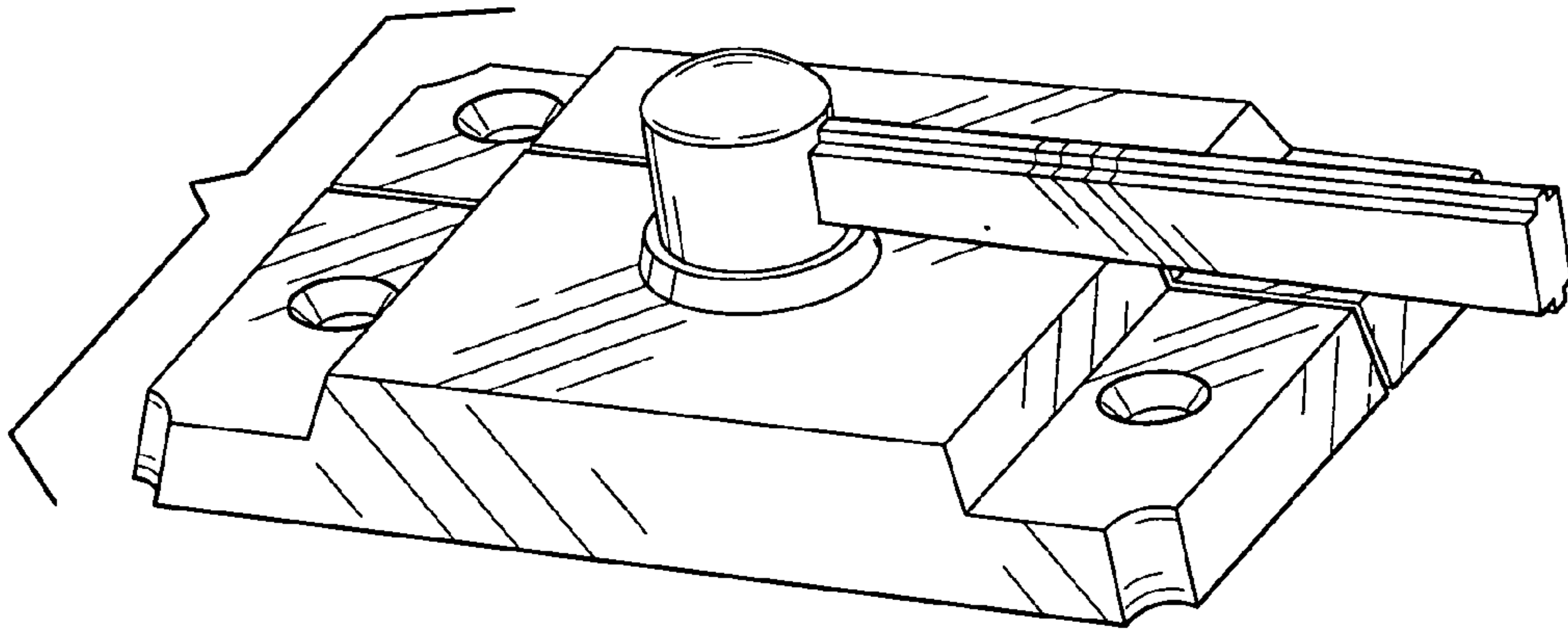


Fig-1

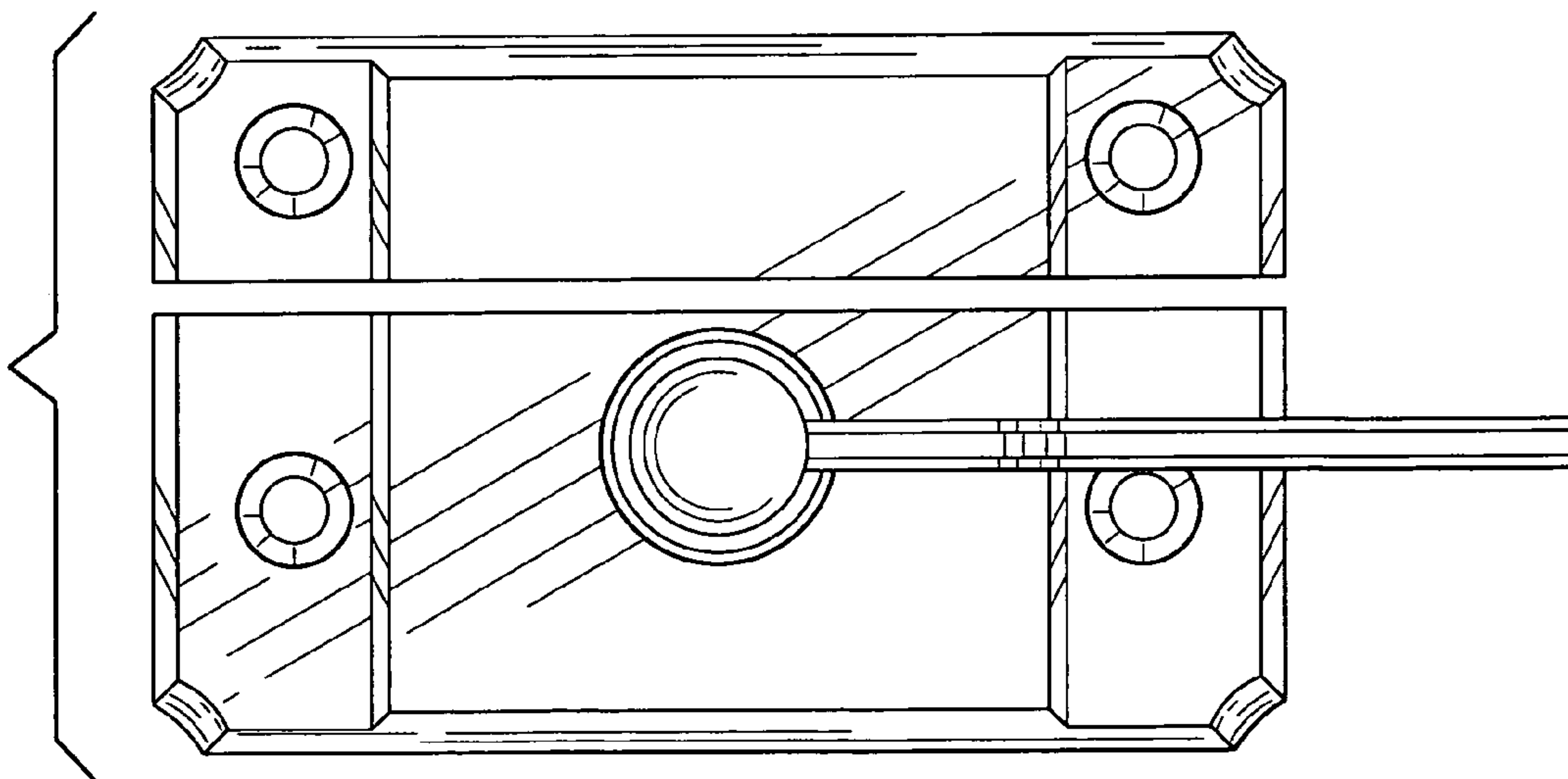


Fig-2

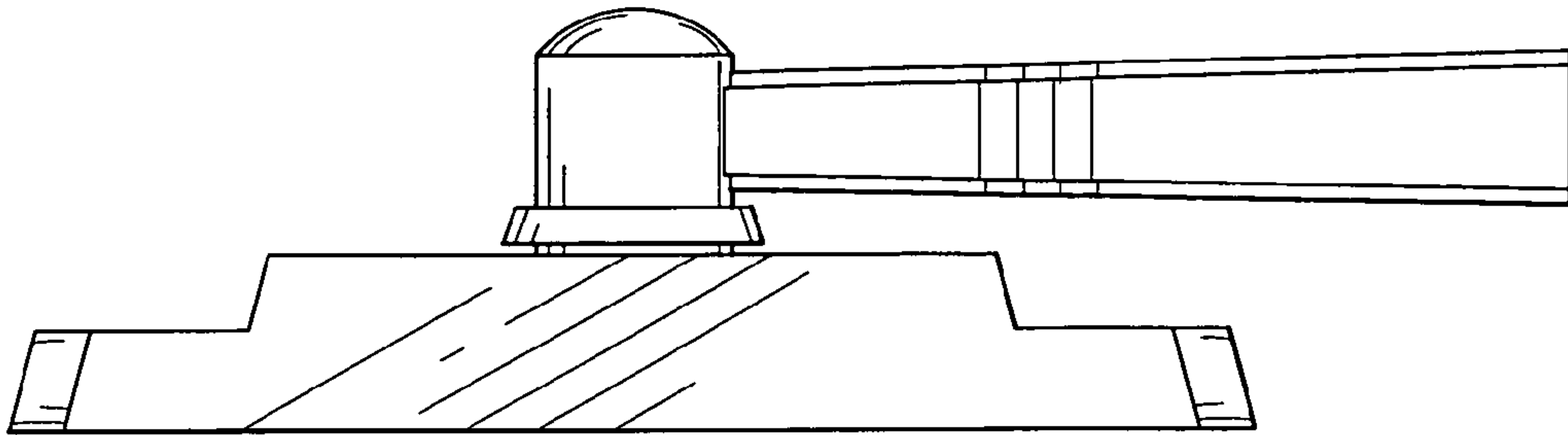


Fig-3

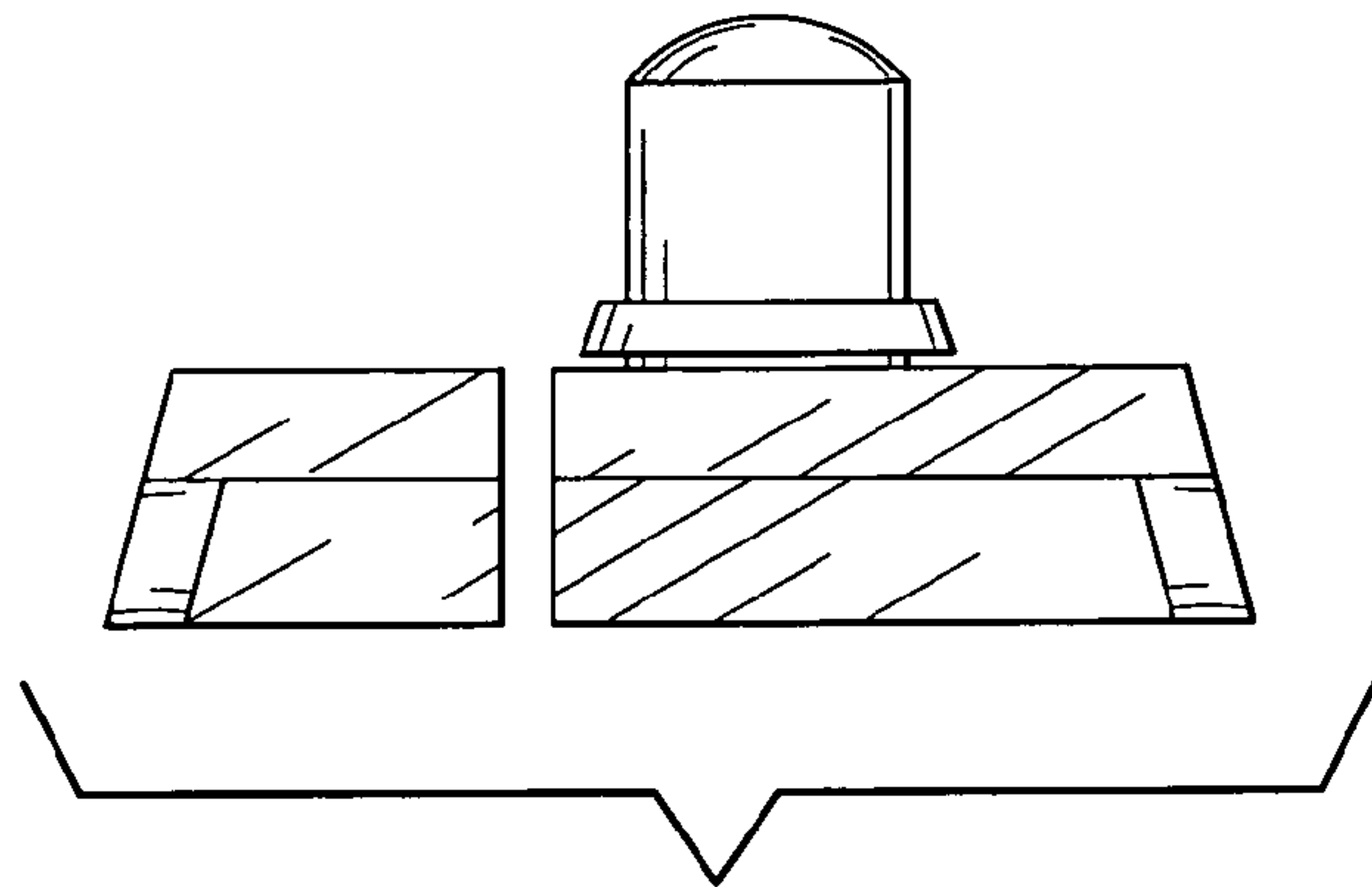


Fig-4

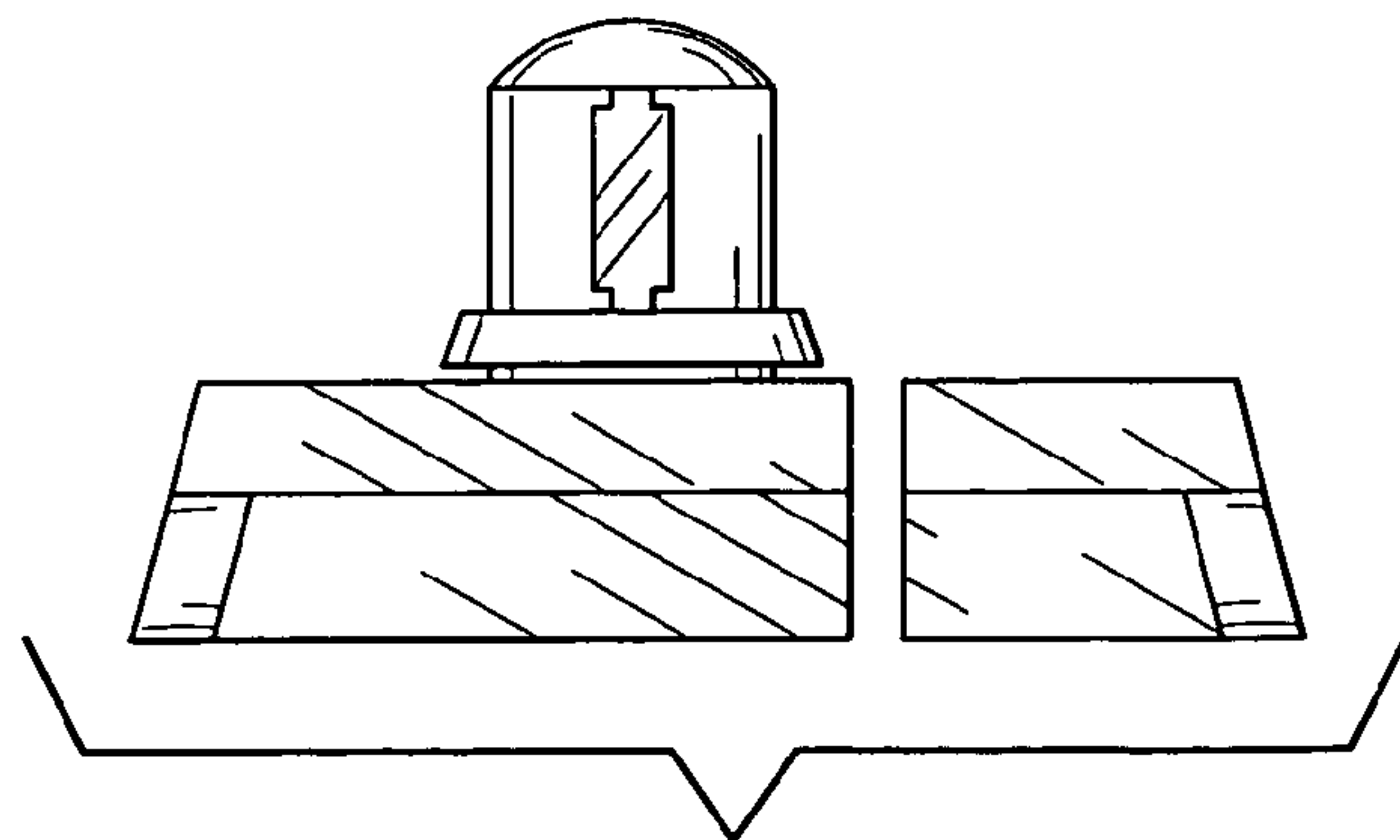


Fig-5