



US00D569221S

(12) **United States Design Patent**
Mitchell et al.

(10) **Patent No.:** **US D569,221 S**

(45) **Date of Patent:** **** May 20, 2008**

(54) **CARD READER**

(75) Inventors: **Ernst K. Mitchell**, Sterling Heights, MI (US); **Glenn L. Peacock**, Farmington Hills, MI (US)

(73) Assignee: **Computerized Security Systems, Inc.**, Troy, MI (US)

(**) Term: **14 Years**

(21) Appl. No.: **29/271,956**

(22) Filed: **Jan. 30, 2007**

(51) **LOC (8) Cl.** **08-07**

(52) **U.S. Cl.** **D8/330**

(58) **Field of Classification Search** D8/331-348;
70/91, 101-102, 104, 106-107, 158, 277-279,
70/287-288; 292/169, 332, 333, 32, 14,
292/37; 235/449, 435, 475

See application file for complete search history.

(56) **References Cited**

U.S. PATENT DOCUMENTS

D288,899 S * 3/1987 Floyd et al. D8/330

D405,345 S * 2/1999 Hankel et al. D8/331
5,987,945 A * 11/1999 Ruano Aramburu 70/277
D501,131 S * 1/2005 Oskamp et al. D8/331
D515,401 S * 2/2006 Osiecki et al. D8/343
7,017,811 B2 * 3/2006 Mitchell et al. 235/449

* cited by examiner

Primary Examiner—Mitchell I Siegel

(74) *Attorney, Agent, or Firm*—Carlson, Gaskey & Olds

(57) **CLAIM**

We claim the ornamental design for a card reader, as shown and described in the figures.

DESCRIPTION

FIG. 1 is a perspective view of the card reader.

FIG. 2 is a bottom view of the card reader.

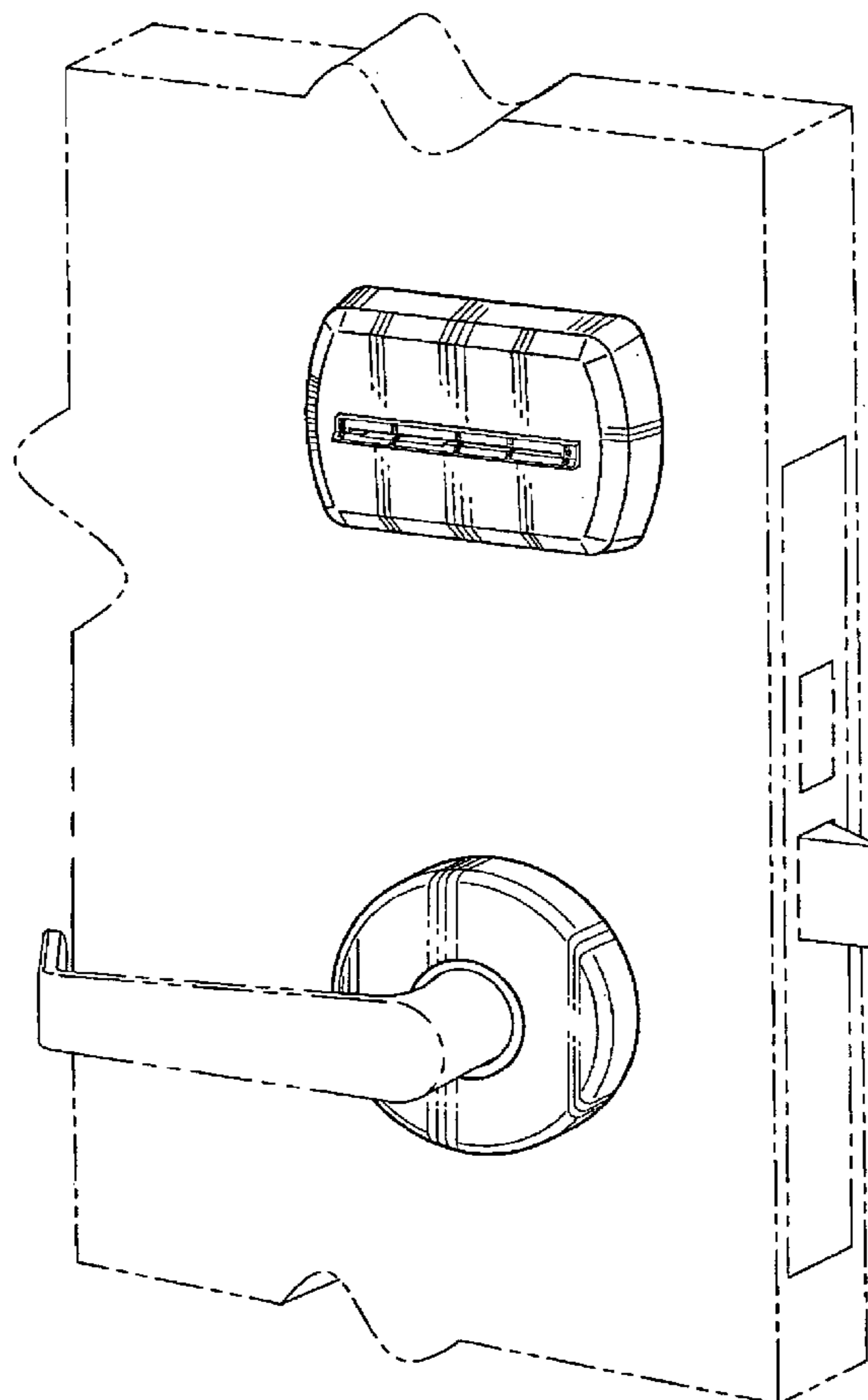
FIG. 3 is a top view of the card reader.

FIG. 4 is a first side view of the card reader.

FIG. 5 is a front view of the card reader; and,

FIG. 6 is a second side view of the card reader.

1 Claim, 3 Drawing Sheets



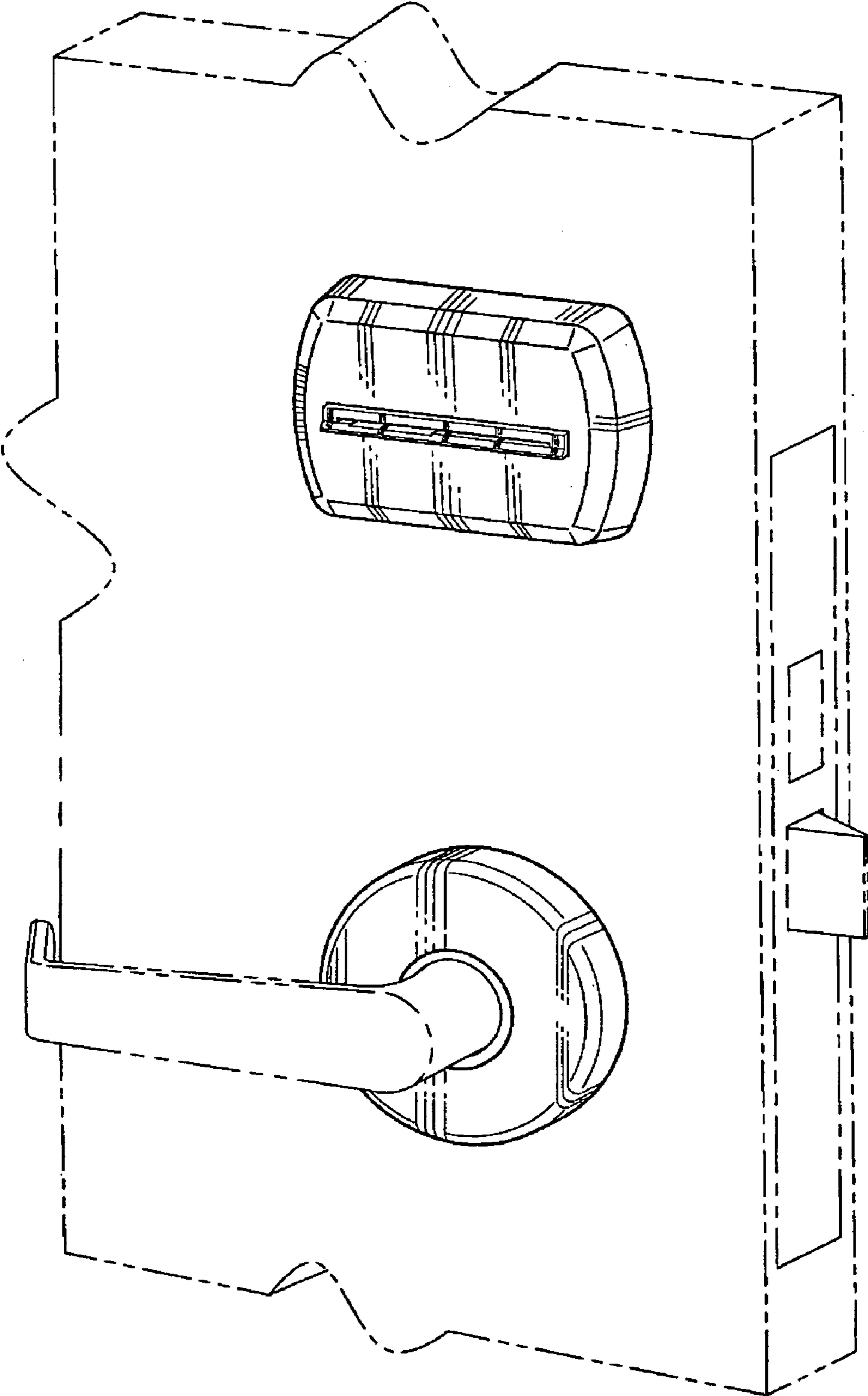


Fig-1

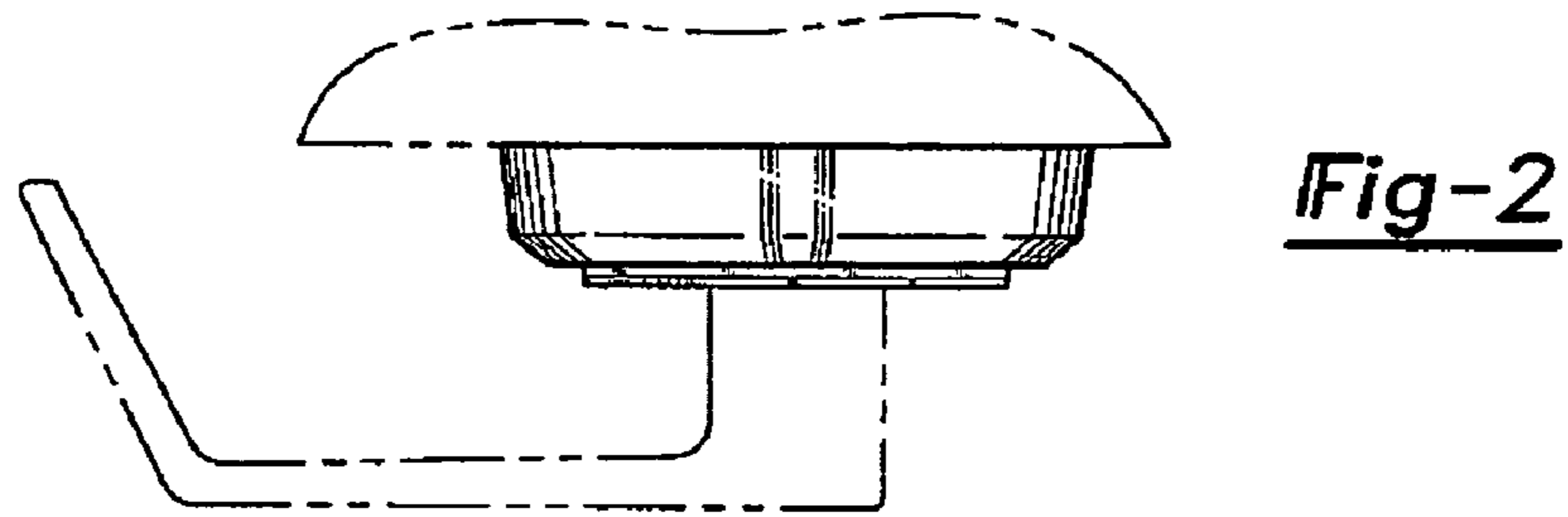


Fig-2

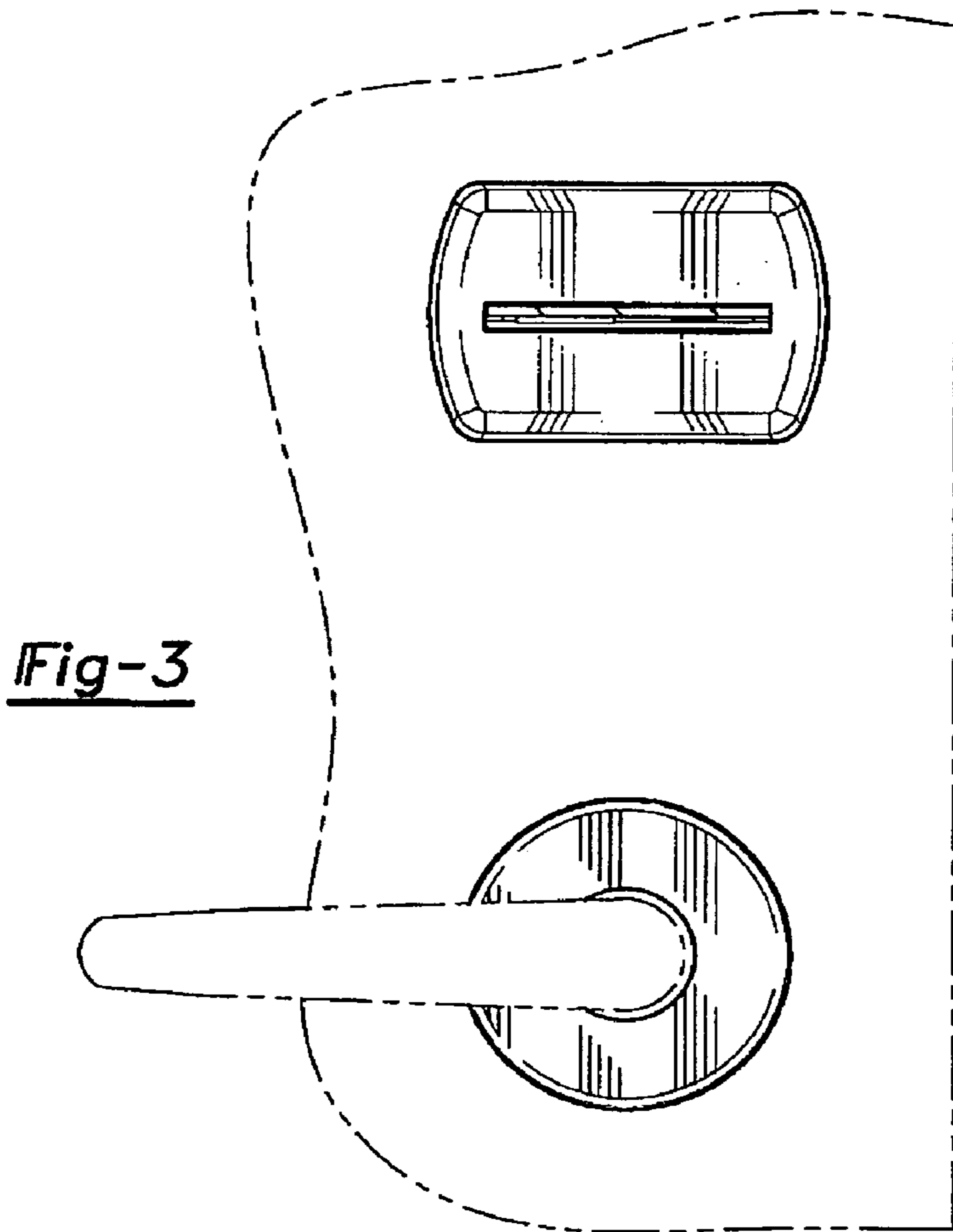


Fig-3

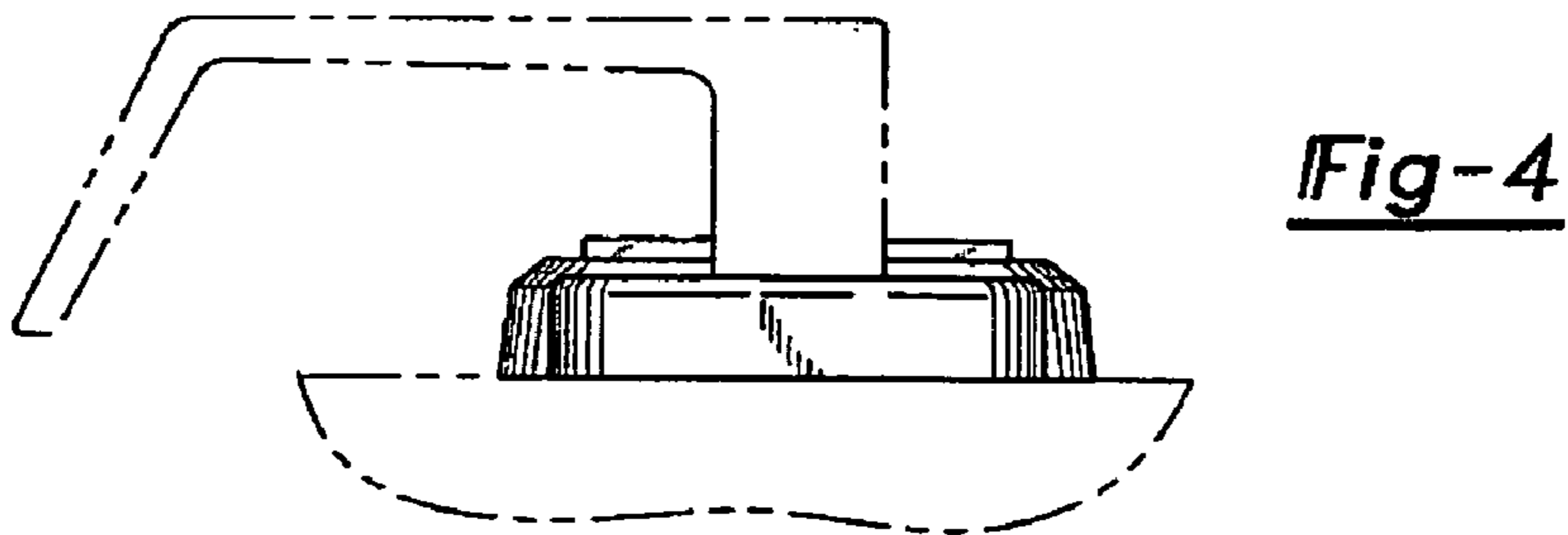


Fig-4

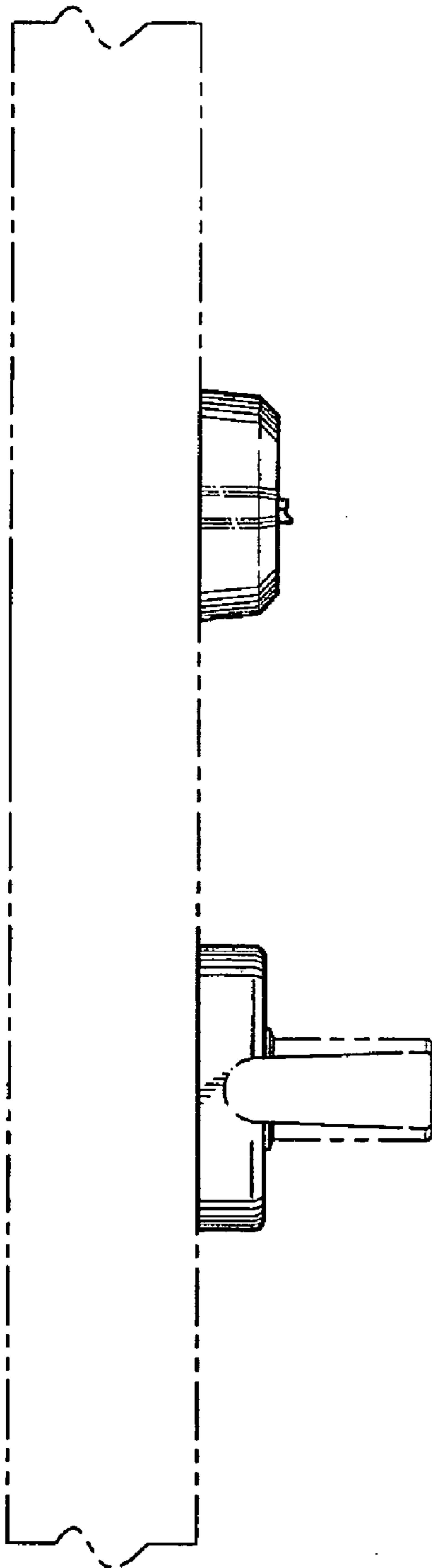


Fig-5

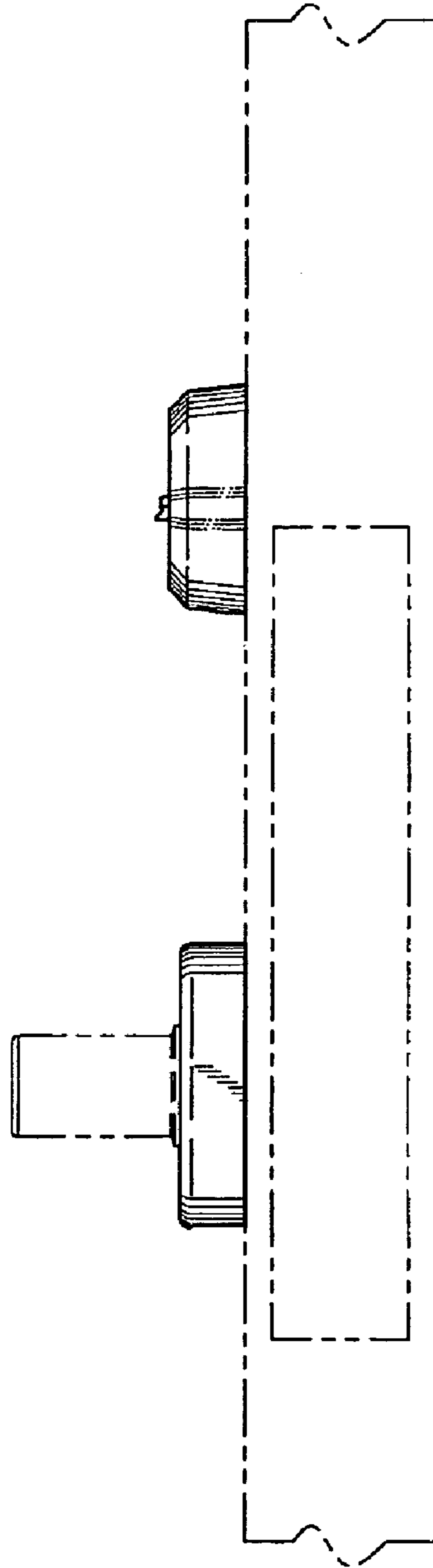


Fig-6