



US00D569220S

(12) **United States Design Patent**  
**McConnell**

(10) **Patent No.:** **US D569,220 S**

(45) **Date of Patent:** **\*\* May 20, 2008**

(54) **KNOB**

(75) Inventor: **Jennifer McConnell**, Greensboro, NC  
(US)

(73) Assignee: **Liberty Hardware Mfg. Corp.**,  
Winston-Salem, NC (US)

(\*\*) Term: **14 Years**

(21) Appl. No.: **29/265,717**

(22) Filed: **Sep. 7, 2006**

(51) **LOC (8) Cl.** ..... **08-06**

(52) **U.S. Cl.** ..... **D8/310**

(58) **Field of Classification Search** ..... D8/300,  
D8/302, 305, 307, 310-312, DIG. 1, DIG. 2;  
D7/393; D3/318; D23/250-254; D13/158,  
D13/171, 174; 292/347, 336.3; 200/336,  
200/341; 16/110.1, 412, 414-420, 443-446,  
16/441, 118, 111 R, 110 R, DIG. 19, DIG. 30  
See application file for complete search history.

(56) **References Cited**

U.S. PATENT DOCUMENTS

D219,422 S	*	12/1970	Tegner	.....	D8/310
D326,219 S	*	5/1992	Clayton	.....	D8/310
D361,492 S	*	8/1995	Chieda	.....	D8/310
5,499,427 A	*	3/1996	Bowman	.....	16/417
D368,640 S	*	4/1996	Sonnenleiter	.....	D8/310
D396,179 S	*	7/1998	Burns et al.	.....	D8/310

D401,834 S	*	12/1998	Burns et al.	.....	D8/310
D418,387 S	*	1/2000	O'Neil	.....	D8/310
D429,455 S	*	8/2000	Burns et al.	.....	D8/310
D443,174 S	*	6/2001	Rae	.....	D7/393
D452,413 S	*	12/2001	Rae	.....	D7/393
D474,393 S	*	5/2003	Fields	.....	D8/310
D474,672 S	*	5/2003	Fields	.....	D8/310
D493,686 S	*	8/2004	Fields	.....	D8/310
D543,088 S	*	5/2007	Ricereto	.....	D8/310
D545,664 S	*	7/2007	Fields	.....	D8/310
2004/0078933 A1	*	4/2004	Forrest	.....	16/417

\* cited by examiner

*Primary Examiner*—Stella M. Reid

*Assistant Examiner*—Mark Goodwin

(74) *Attorney, Agent, or Firm*—Edgar A. Zarins; Lloyd D. Doigan

(57) **CLAIM**

The ornamental design for a knob, as shown and described.

**DESCRIPTION**

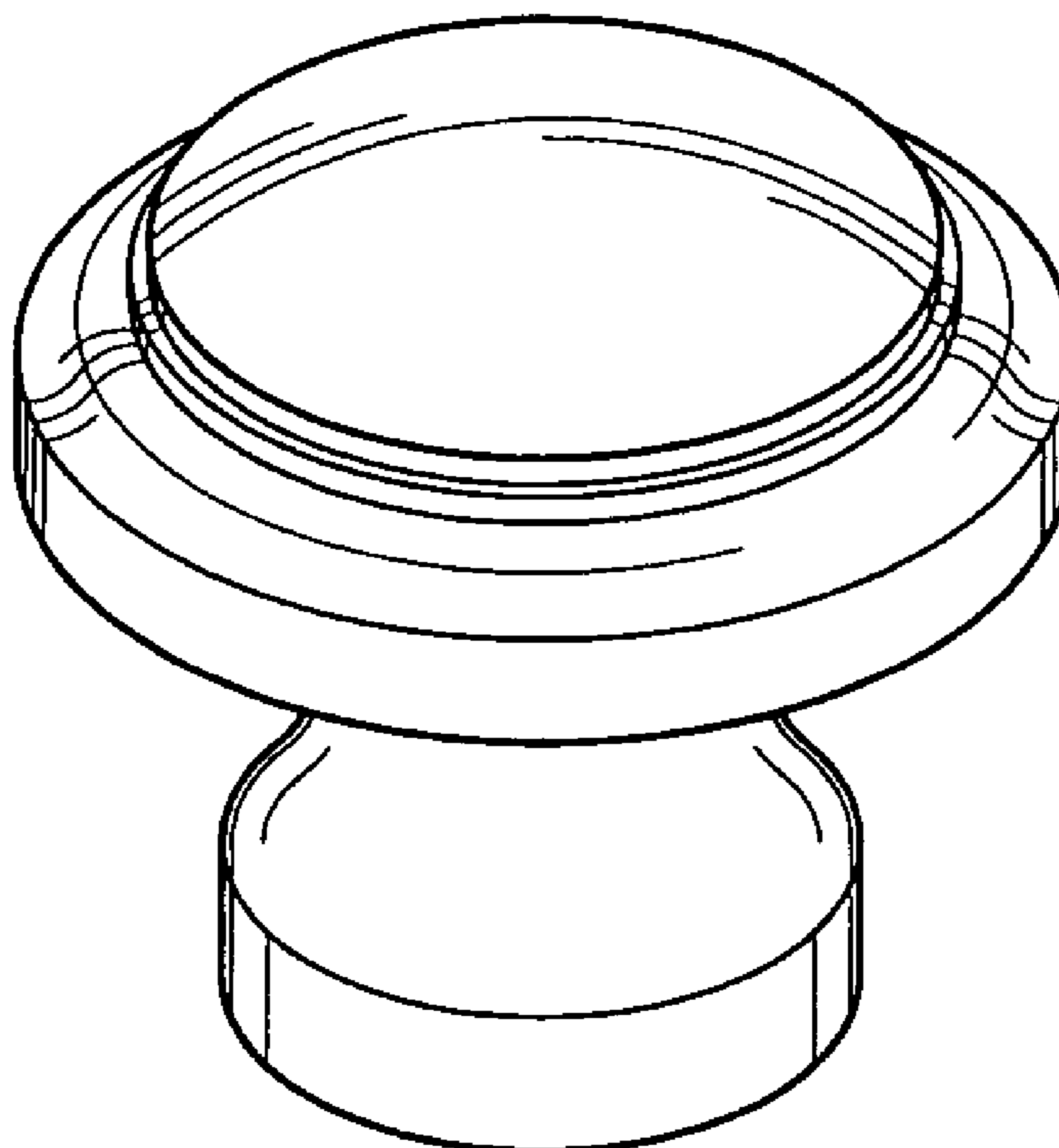
FIG. 1 is a perspective view of a knob showing my new design;

FIG. 2 is a side view thereof; and,

FIG. 3 is a front elevational view thereof.

All views of the claim not shown form no part of the claimed design.

**1 Claim, 1 Drawing Sheet**



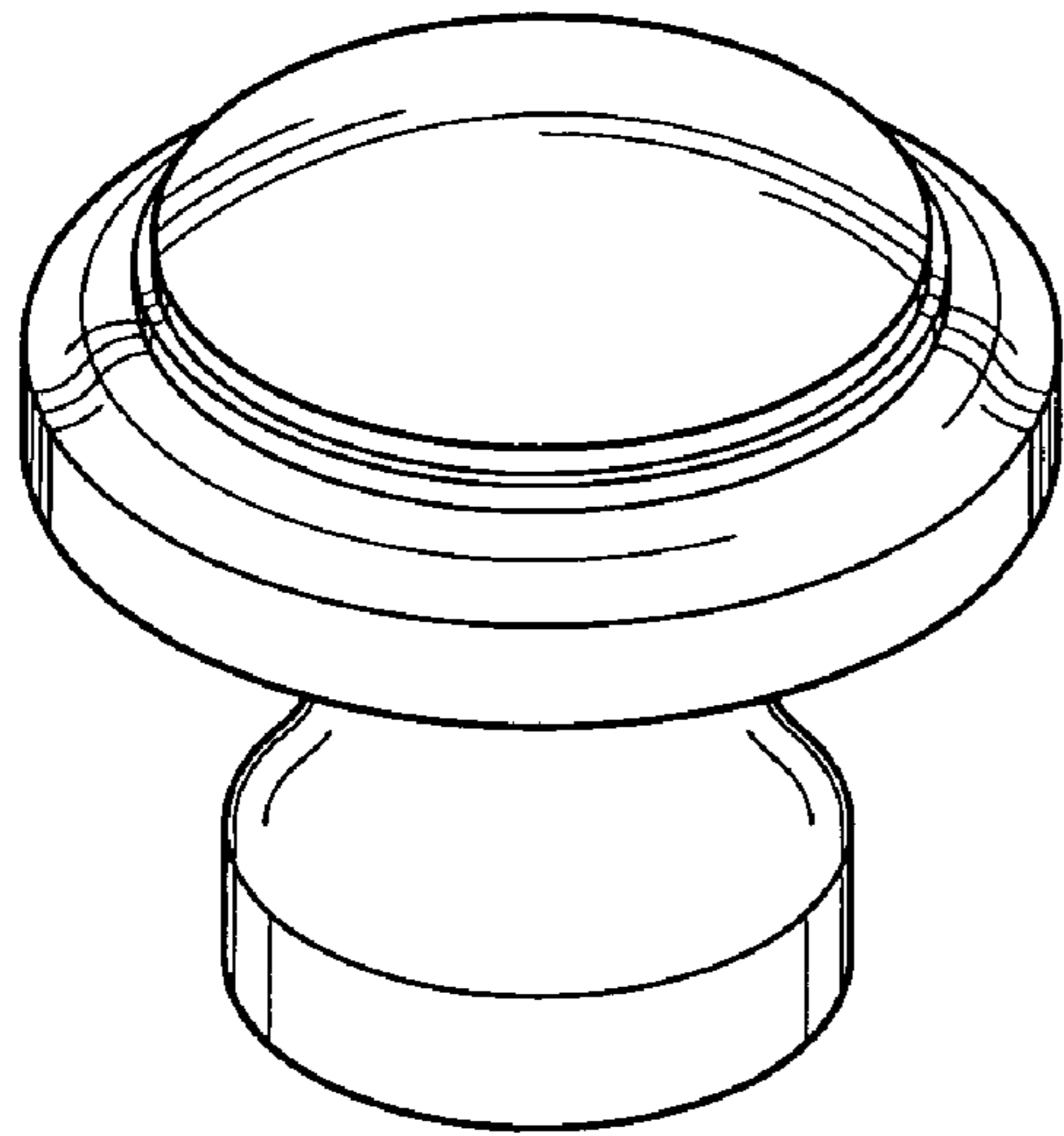


Fig-1

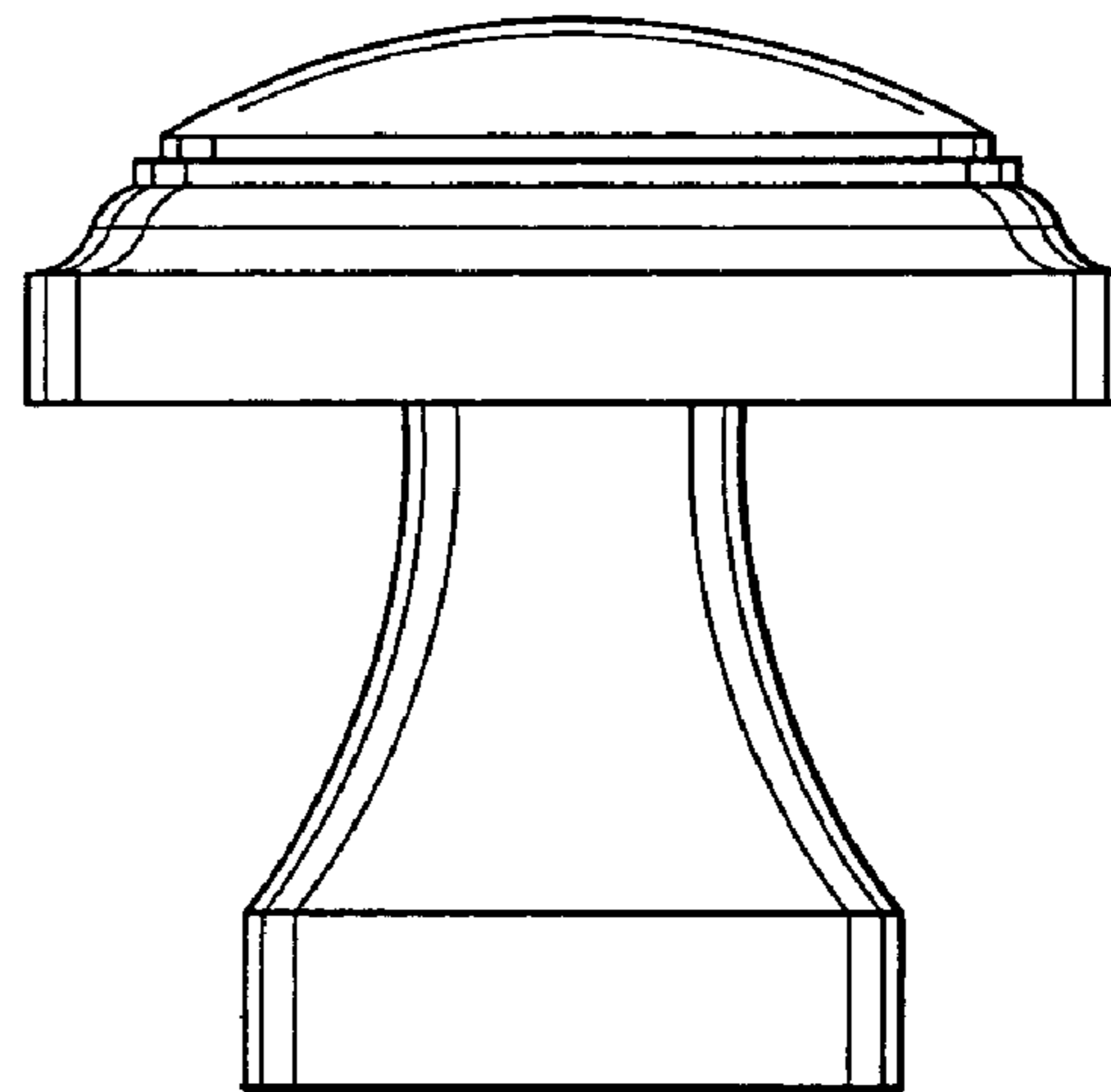


Fig-2

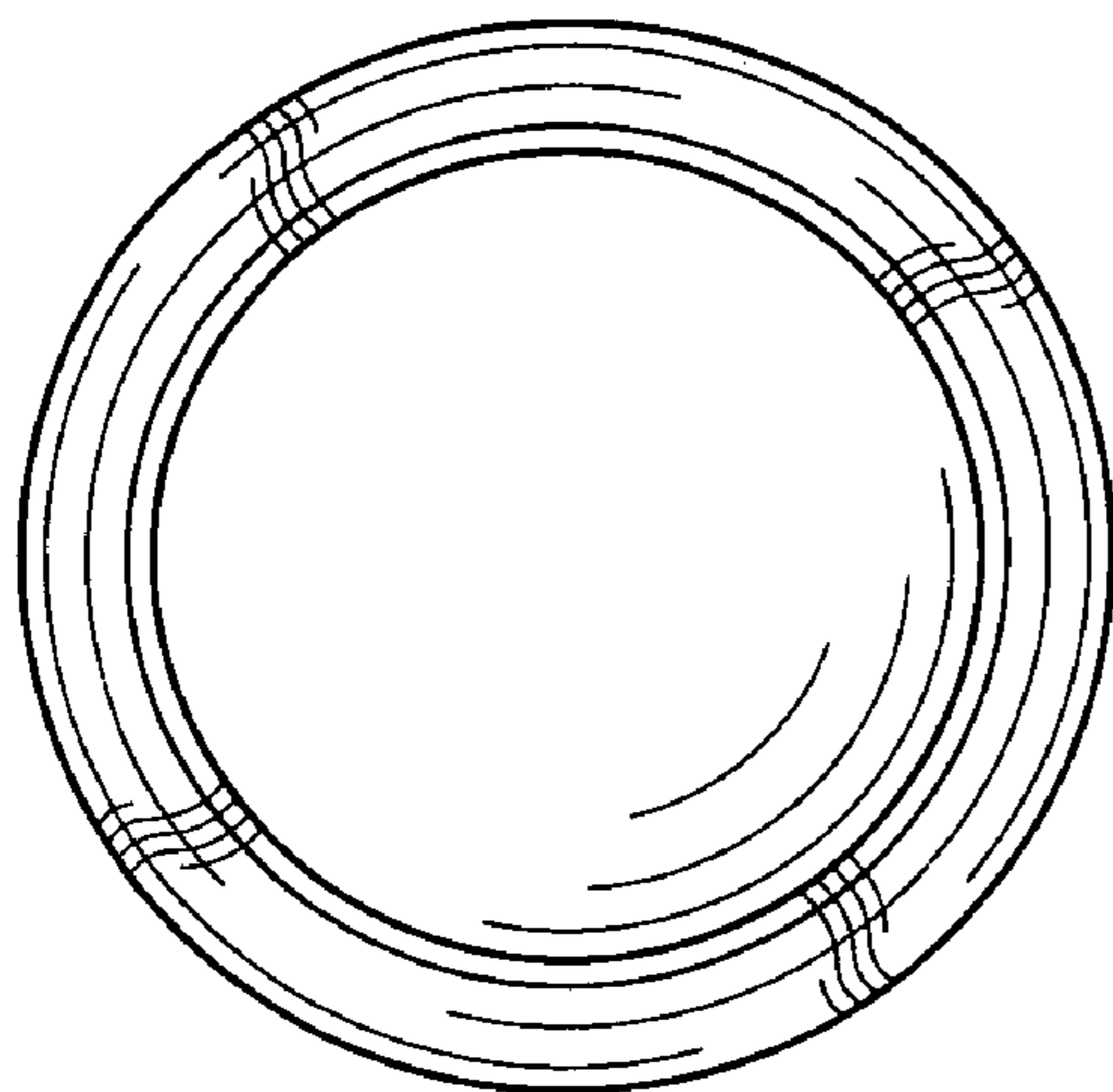


Fig-3