



US00D569219S

(12) **United States Design Patent**  
**Sjögren**

(10) **Patent No.:** **US D569,219 S**

(45) **Date of Patent:** **\*\* \*May 20, 2008**

(54) **IMPLEMENT SELECTOR ARRANGEMENT  
FOR CONSTRUCTION EQUIPMENT**

(75) Inventor: **Joakim Sjögren**, Köping (SE)

(73) Assignee: **VCE Holding Sweden AB**, Ekilstuna  
(SE)

(\*) Notice: This patent is subject to a terminal disclaimer.

(\*\*) Term: **14 Years**

(21) Appl. No.: **29/234,137**

(22) Filed: **Jul. 14, 2005**

(51) **LOC (8) Cl.** ..... **08-01**

(52) **U.S. Cl.** ..... **D8/310**

(58) **Field of Classification Search** ..... D8/310,  
D8/311, 312; D10/46, 49, 96, 106; D13/158,  
D13/162, 184; 165/217, 238; 200/5 A,  
200/5 R; 236/44 RC, 46 R, 91 R, 47, 94;  
700/18, 20, 25, 27, 32

See application file for complete search history.

(56) **References Cited**

**U.S. PATENT DOCUMENTS**

D68,807 S \* 11/1925 Hill ..... D8/310  
4,334,492 A \* 6/1982 Klingler ..... 116/309  
D284,264 S \* 6/1986 Resan ..... D8/382

D284,266 S \* 6/1986 Resan ..... D8/382  
D403,750 S \* 1/1999 Fabian ..... D23/254  
D487,727 S \* 3/2004 Sjögren et al. .... D13/162  
D516,407 S \* 3/2006 Grutzke et al. .... D8/310

\* cited by examiner

*Primary Examiner*—Sandra Snapp

*Assistant Examiner*—Patricia Palasik

(74) *Attorney, Agent, or Firm*—Novak Druce + Quigg LLP

(57) **CLAIM**

The ornamental design for an implement selector arrangement for construction equipment, as shown and described.

**DESCRIPTION**

FIG. 1 is a perspective view of an assembled embodiment of my new design including a manually graspable knurled knob engaged atop an implement selector plate;

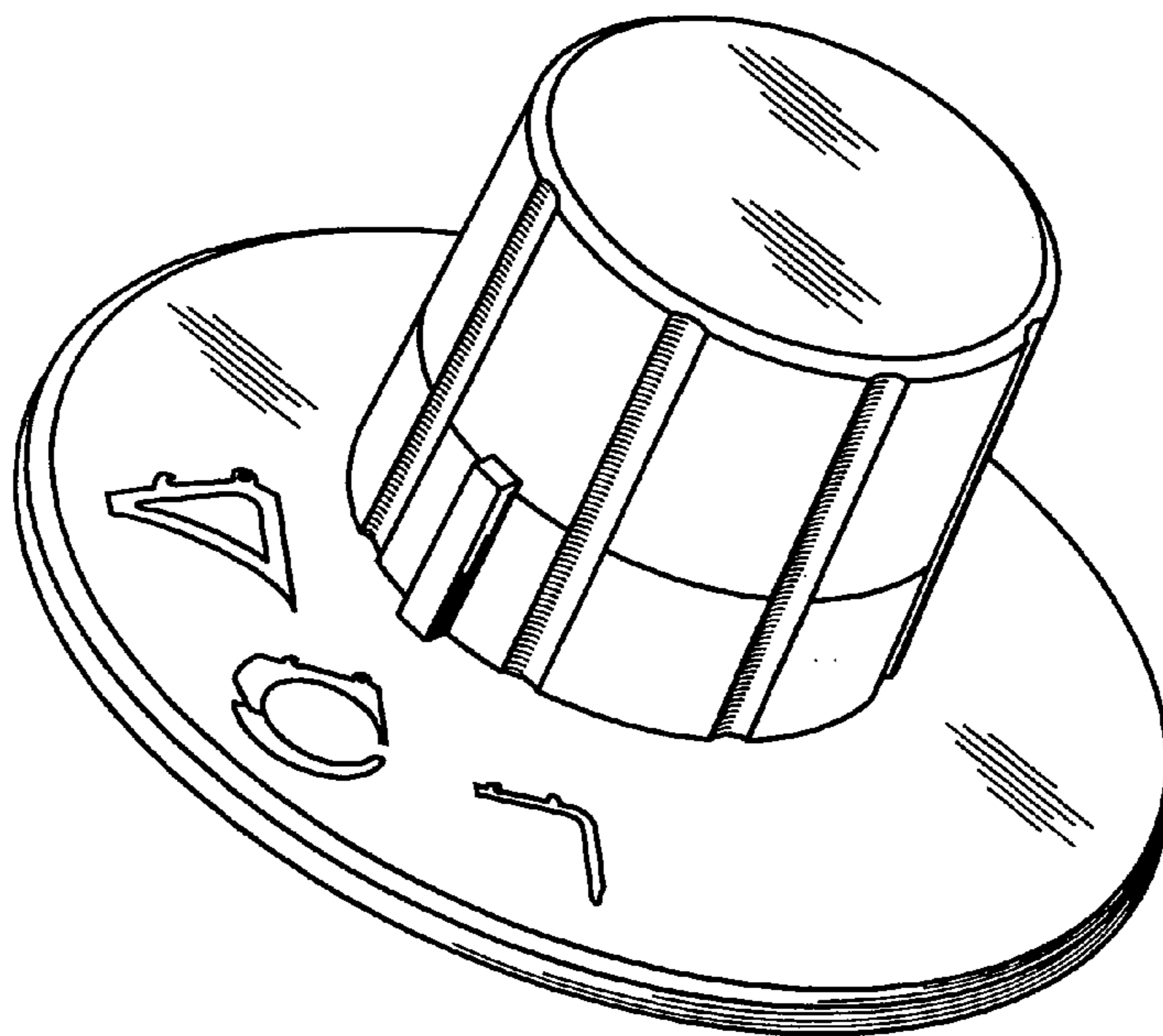
FIG. 2 is a top plan view of the embodiment of my design shown in FIG. 1;

FIG. 3 is an elevational view of the embodiment of my design shown in FIG. 1;

FIG. 4 is a top plan view of the implement selector plate of FIG. 1, shown alone, and the bottom of which exemplarily presents a substantially planar surface; and,

FIG. 5 is an elevational view of the implement selector plate shown in FIG. 4.

**1 Claim, 5 Drawing Sheets**



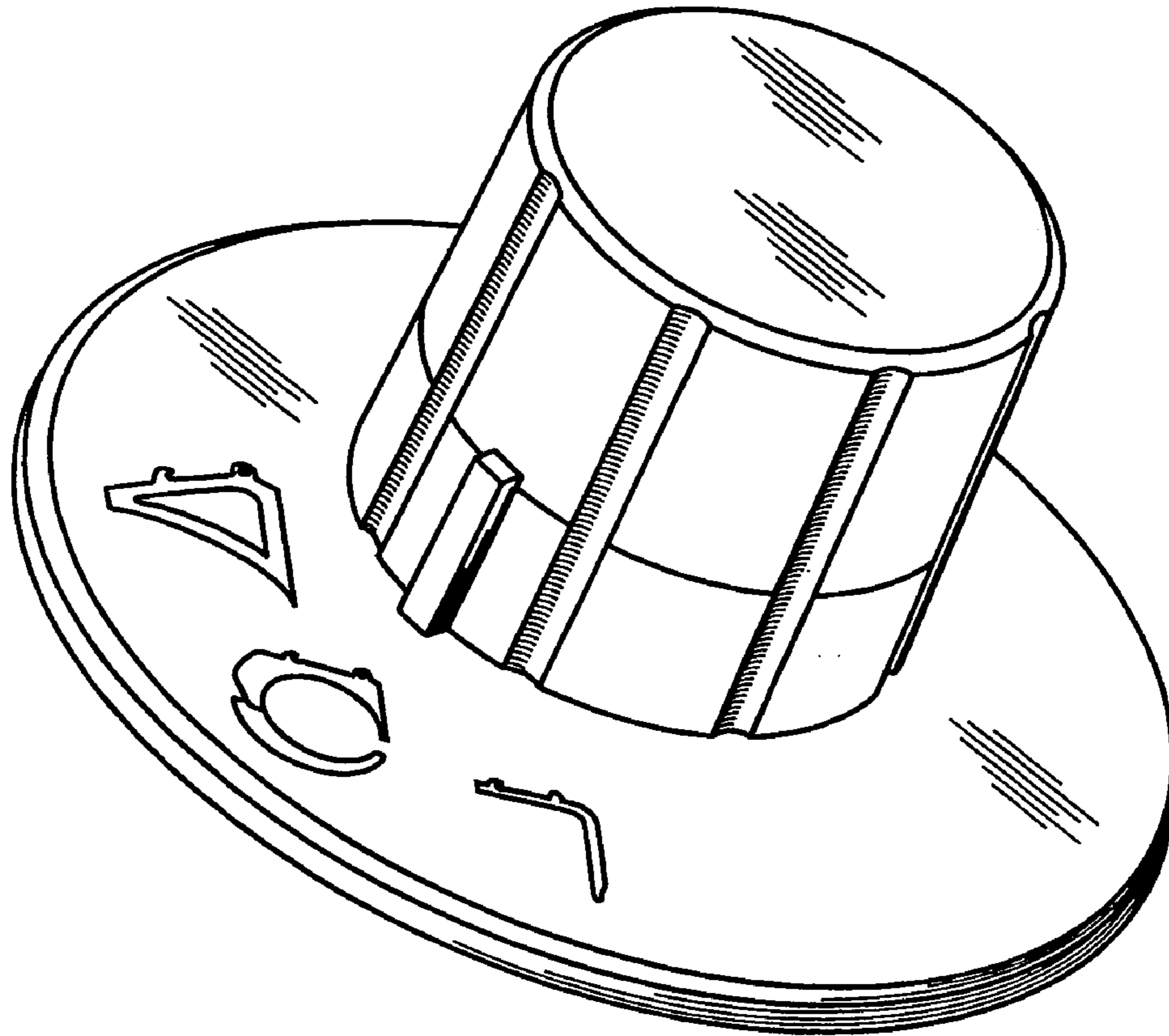


FIG. 1

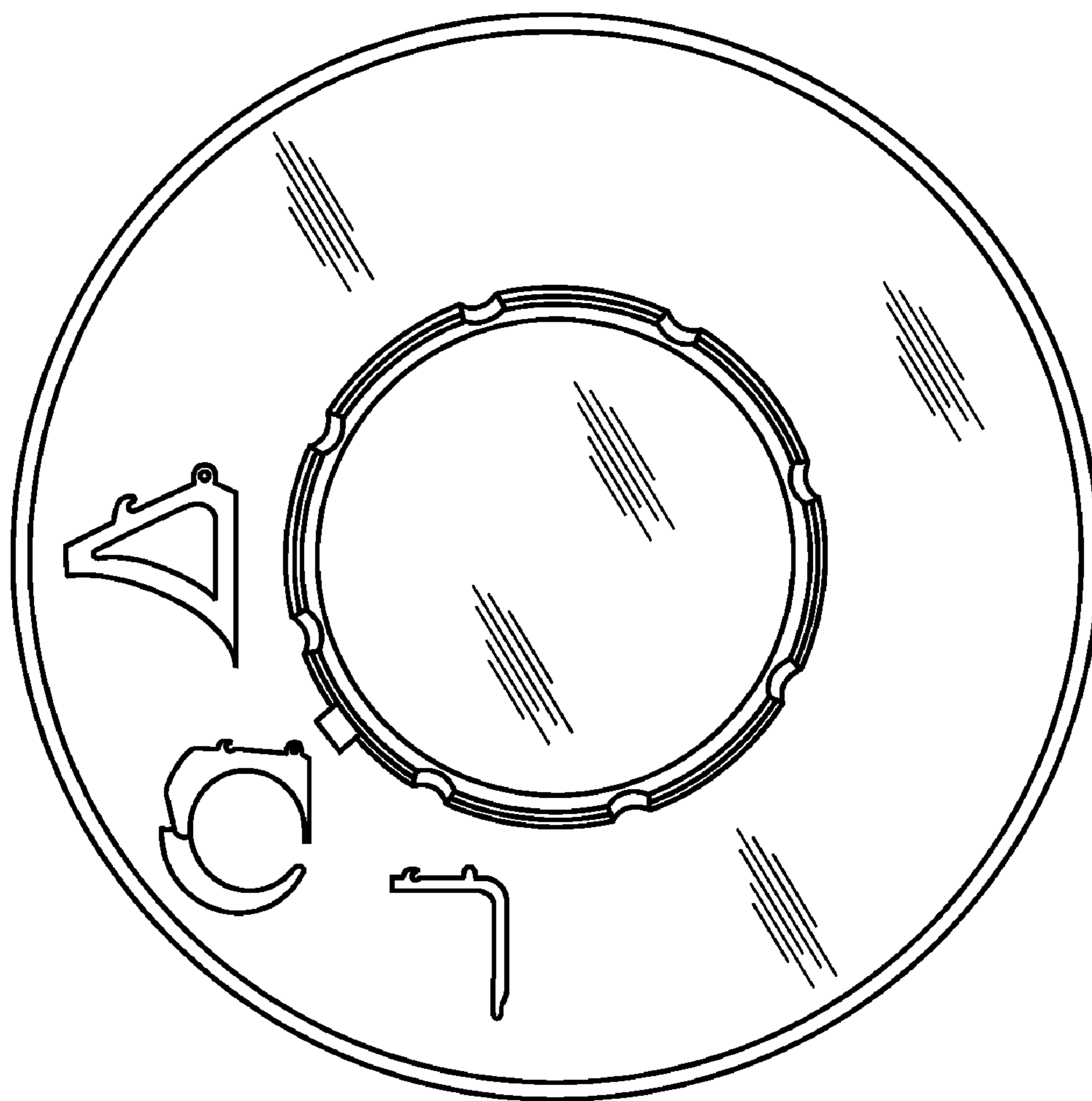
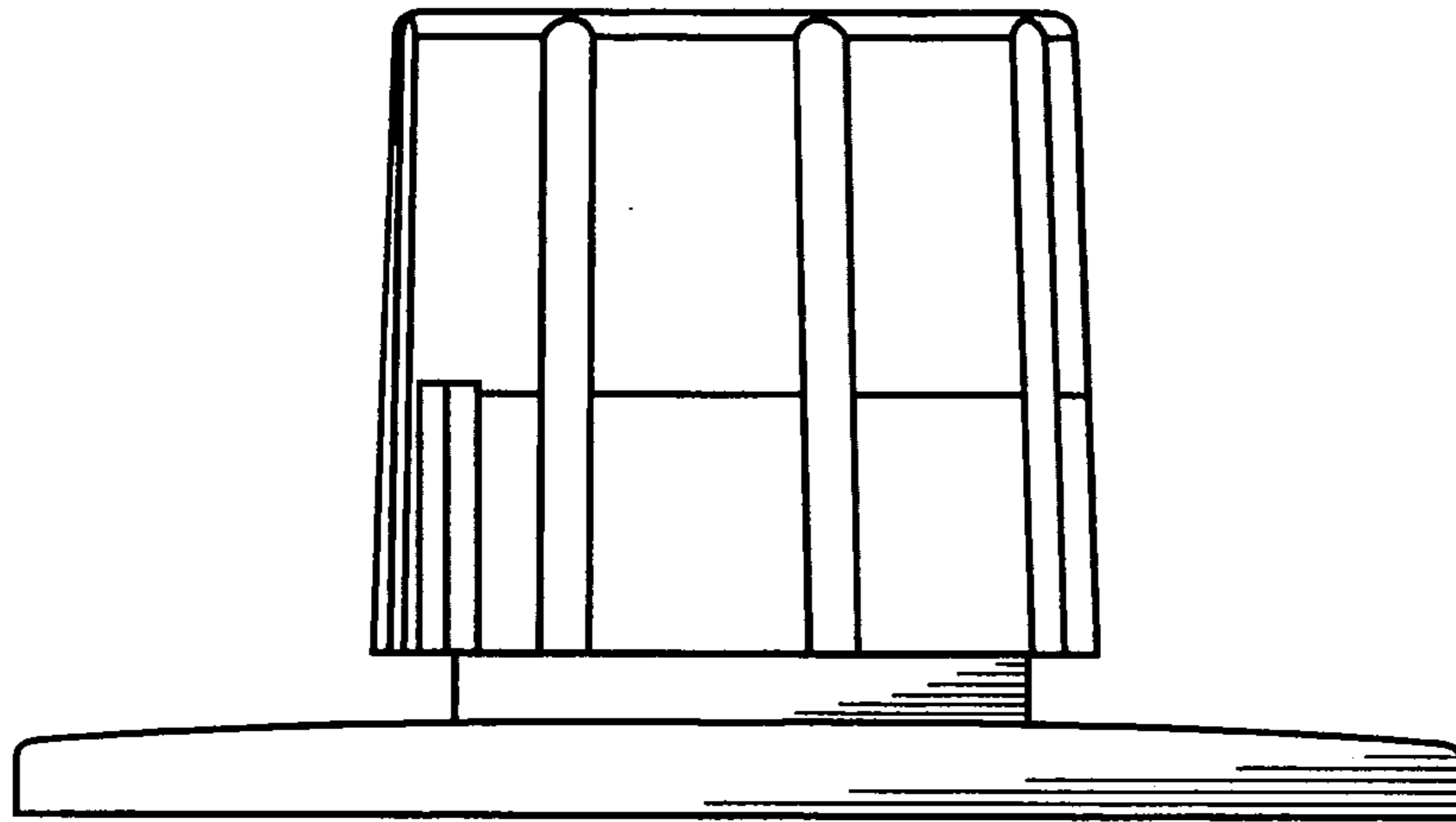
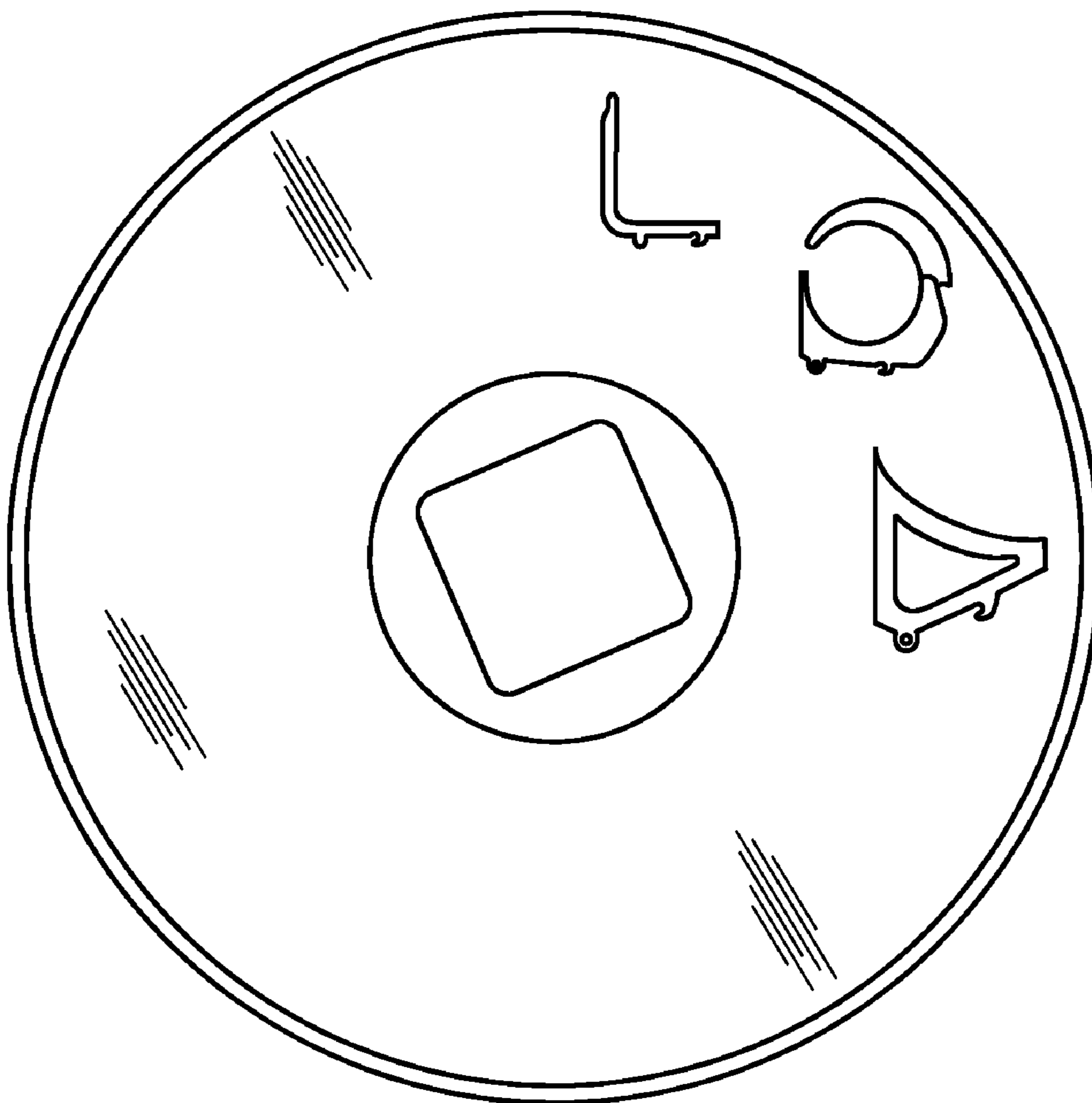


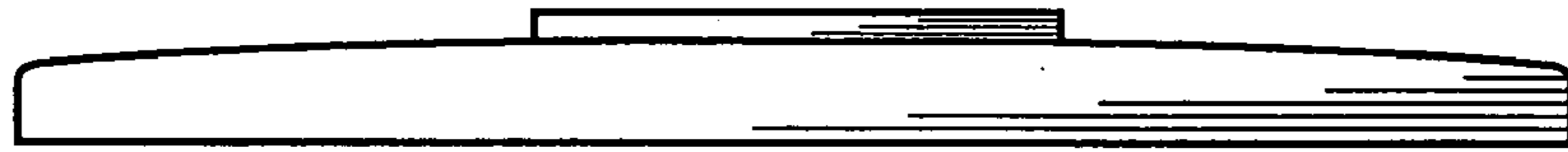
FIG. 2



**FIG. 3**



**FIG. 4**



**FIG. 5**