

US00D569218S

(12) **United States Design Patent**  
**Montague**

(10) **Patent No.:** **US D569,218 S**

(45) **Date of Patent:** **\*\* May 20, 2008**

(54) **FLIPPER FOR A TOILET SEAT**

(76) Inventor: **Steve Wade Montague**, 12341 Eyre Ct., Moreno Valley, CA (US) 92557-7739

(\*\*) Term: **14 Years**

(21) Appl. No.: **29/267,937**

(22) Filed: **Oct. 25, 2006**

(51) **LOC (8) Cl.** ..... **08-06**

(52) **U.S. Cl.** ..... **D8/307**

(58) **Field of Classification Search** ..... D8/300, D8/303, 307; D23/202, 252, 303, 311, 309, D23/312; 4/246.1, 233-239; 16/443, 905  
See application file for complete search history.

(56) **References Cited**

**U.S. PATENT DOCUMENTS**

1,999,555 A	4/1935	Adams	
2,236,576 A	4/1941	Loebner	
D191,497 S *	10/1961	Hottle	D8/300
D273,128 S	3/1984	Roddick	
4,512,046 A	4/1985	Riggle	
4,519,105 A *	5/1985	Blanck	4/246.1
4,574,401 A	3/1986	Nakajima	
D295,604 S	5/1988	Purdy	
D296,658 S	7/1988	Mead et al.	
4,805,246 A	2/1989	De Vargas et al.	
4,875,251 A	10/1989	Hazzard	
D314,322 S	2/1991	Burghoff	
D324,161 S	2/1992	MacRatchie	
D325,510 S *	4/1992	Slye	D8/307
D326,599 S	6/1992	Callahan	
D329,186 S	9/1992	Sorensen	

D348,601 S *	7/1994	Borja et al.	D8/307
D363,976 S *	11/1995	Vinal	D23/252
D373,819 S *	9/1996	Suynov	D23/311
D379,497 S	5/1997	Renfro et al.	
D440,642 S *	4/2001	English et al.	D8/307
D441,439 S *	5/2001	Nagel et al.	D8/307
D508,840 S	8/2005	Butler	

\* cited by examiner

*Primary Examiner*—Paula A. Greene

(74) *Attorney, Agent, or Firm*—Kirk A. Buhler; Buhler & Associates

(57) **CLAIM**

The ornamental design of a flipper for a toilet seat invention, as shown and described.

**DESCRIPTION**

FIG. 1 is a top, view of a flipper for a toilet seat showing my new design;

FIG. 2 is a front side view thereof;

FIG. 3 is a bottom view thereof;

FIG. 4 is a right side view thereof;

FIG. 5 is a left side view thereof

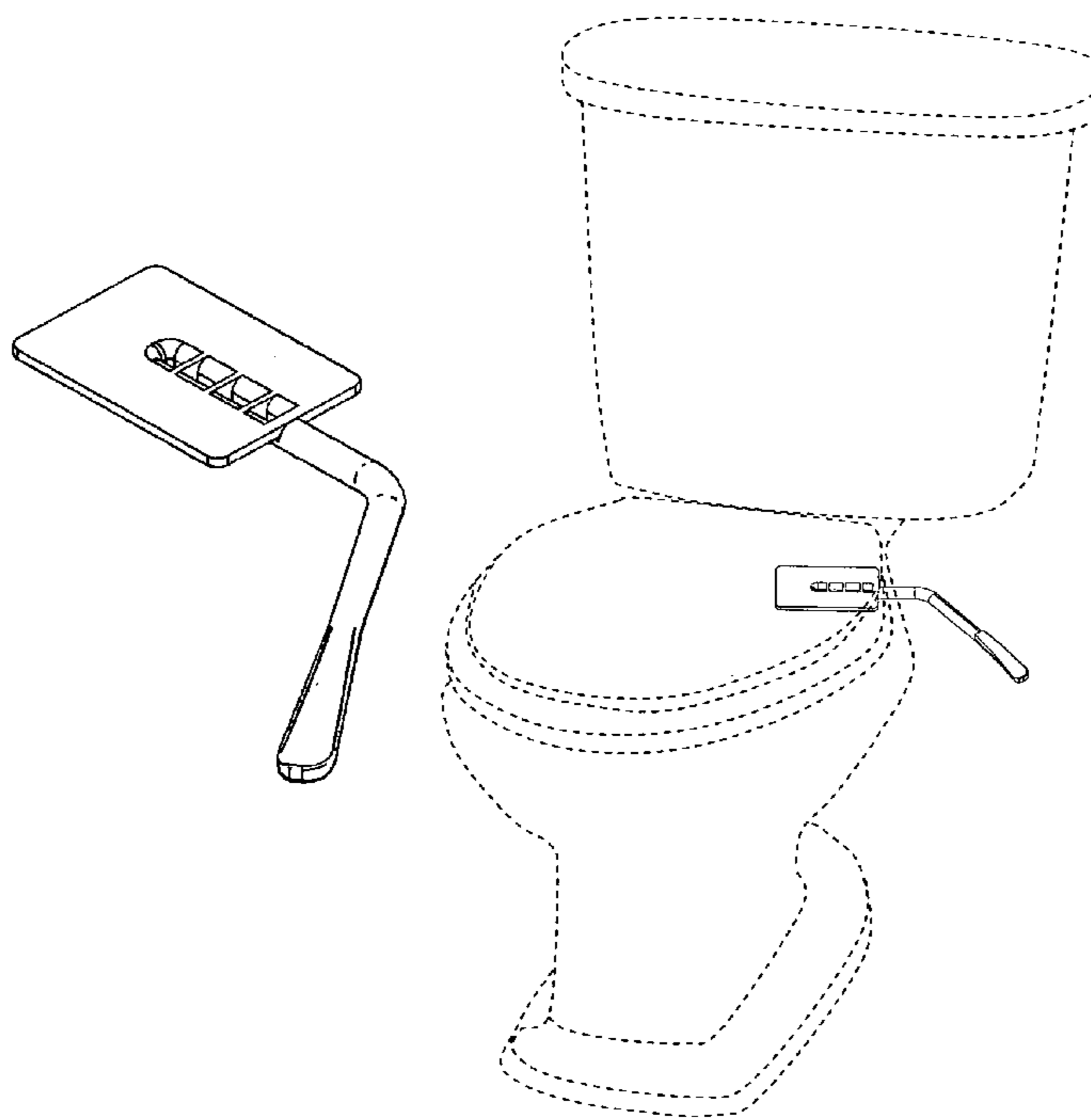
FIG. 6 is a bottom view thereof;

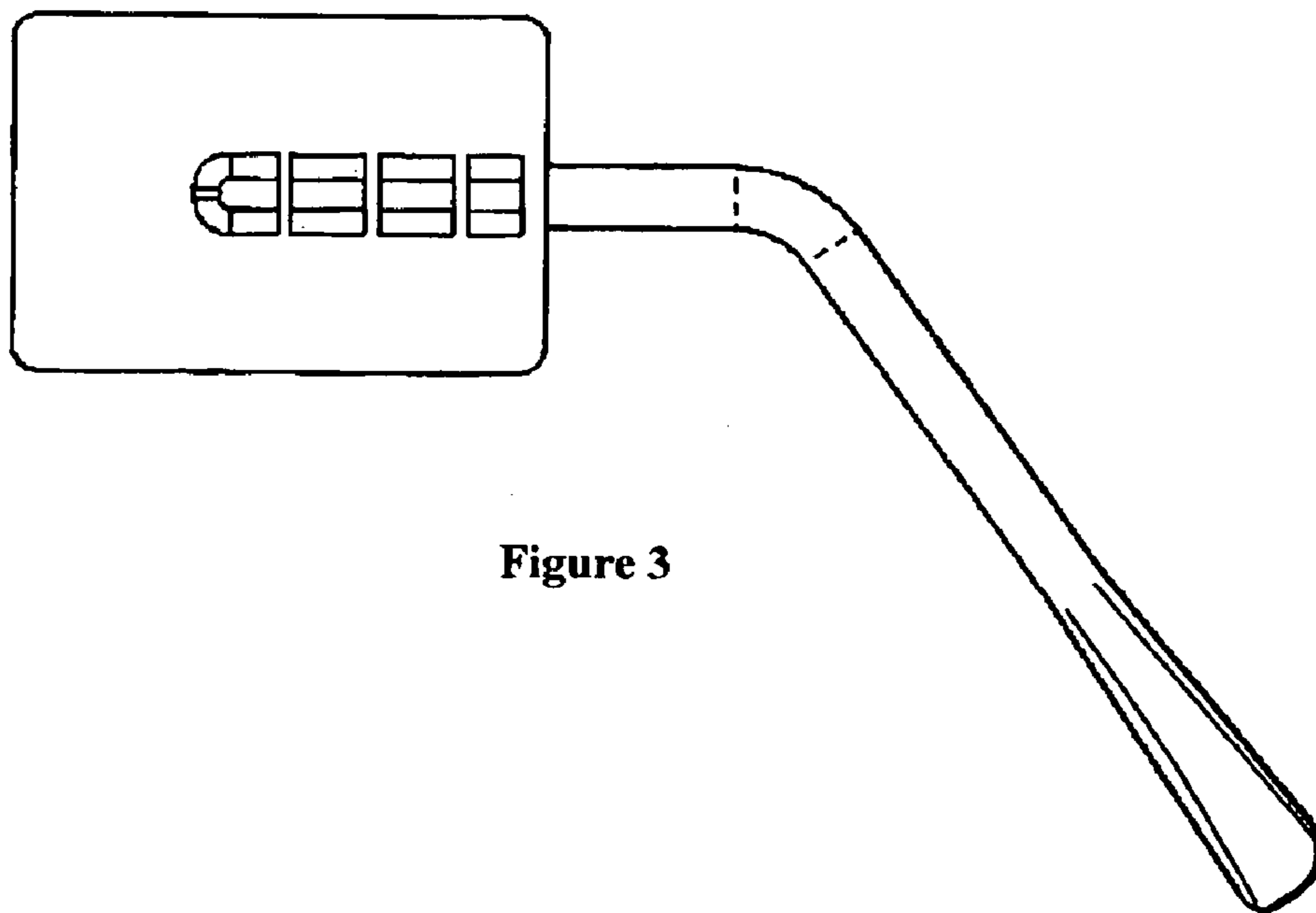
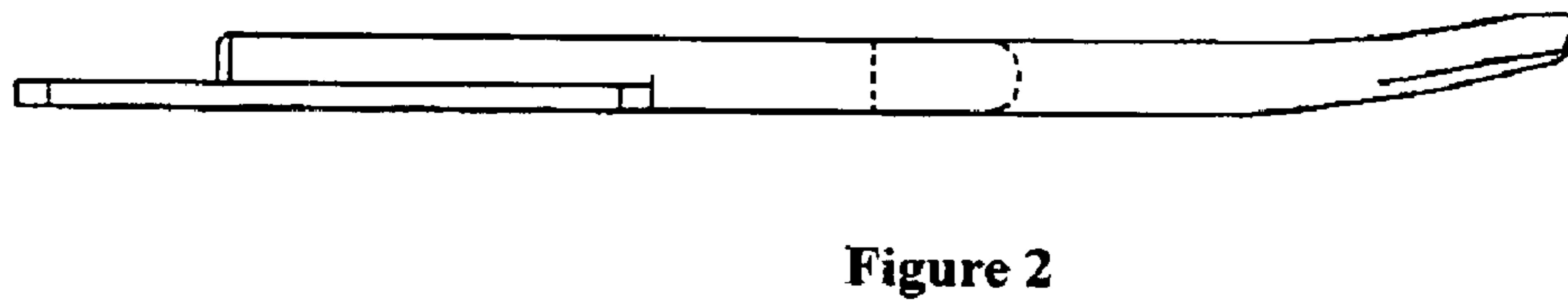
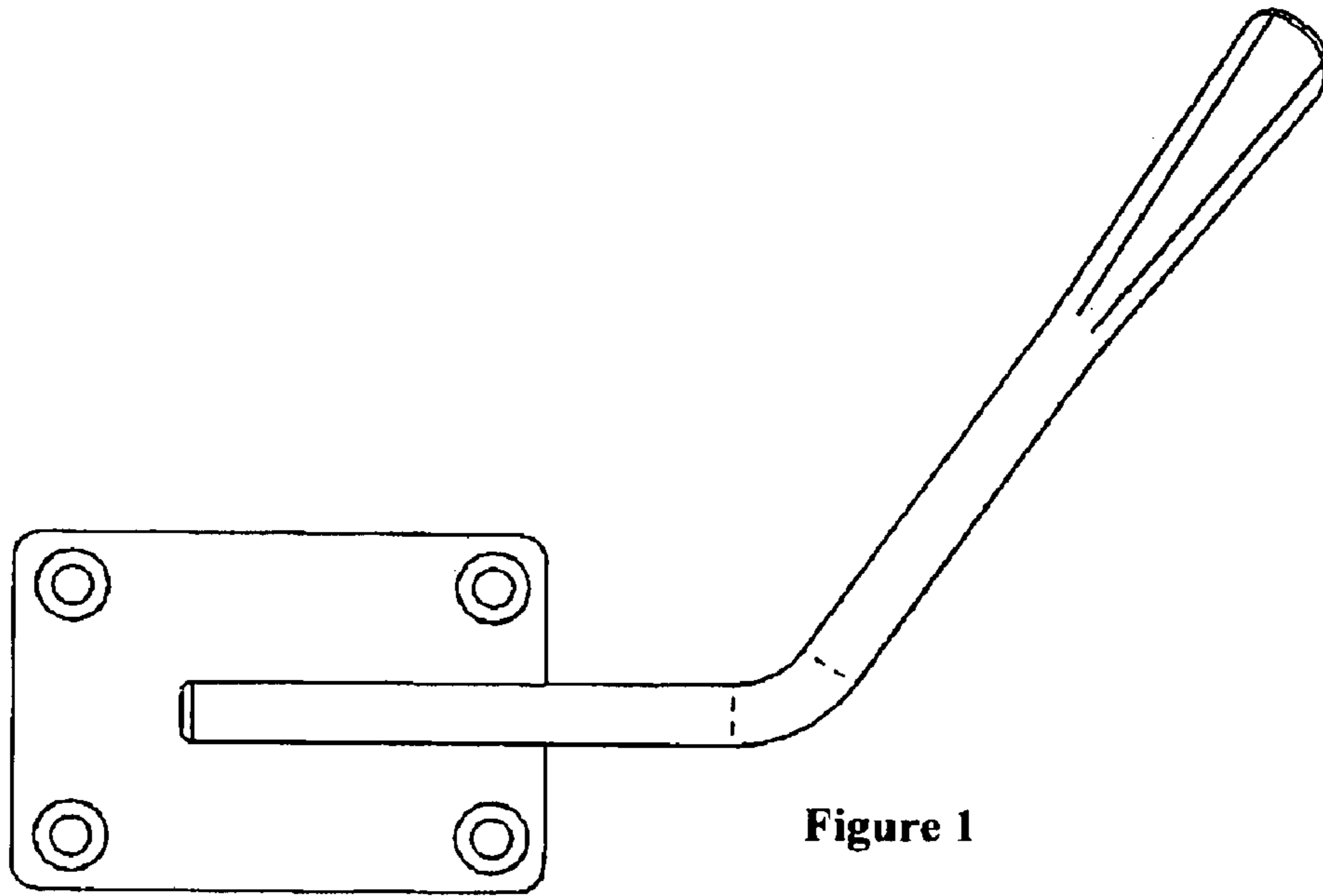
FIG. 7 is a top side isometric view thereof; and,

FIG. 8 is an isometric view thereof.

The broken line(s) showing of the toilet in FIG. 8 is for illustrative purposes only and forms no part of the claimed design.

**1 Claim, 3 Drawing Sheets**





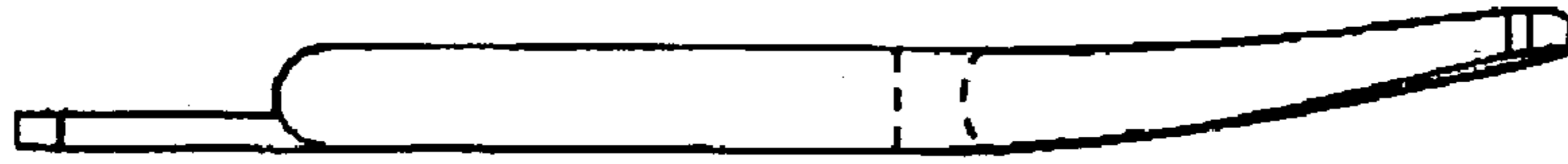


Figure 4



Figure 5

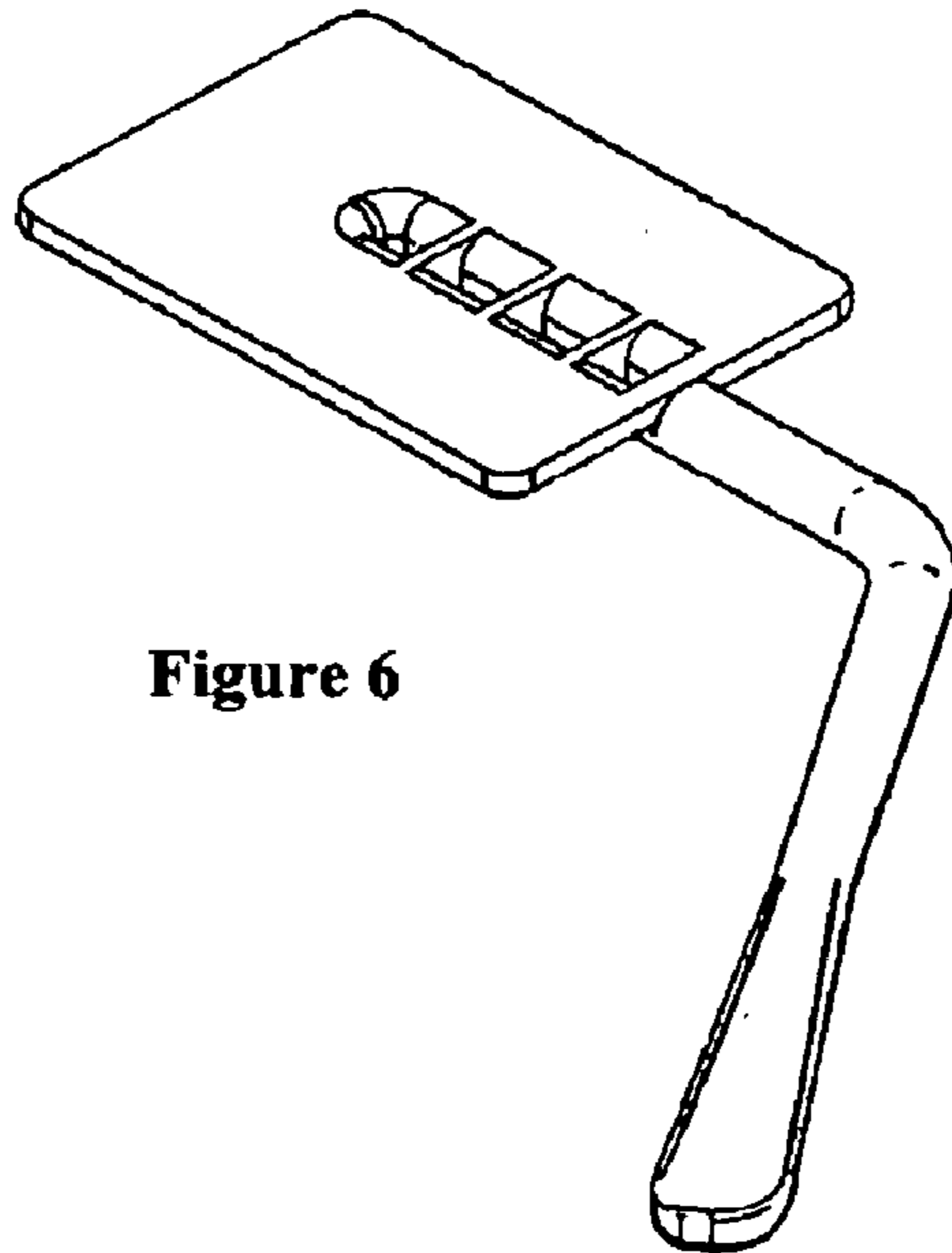


Figure 6

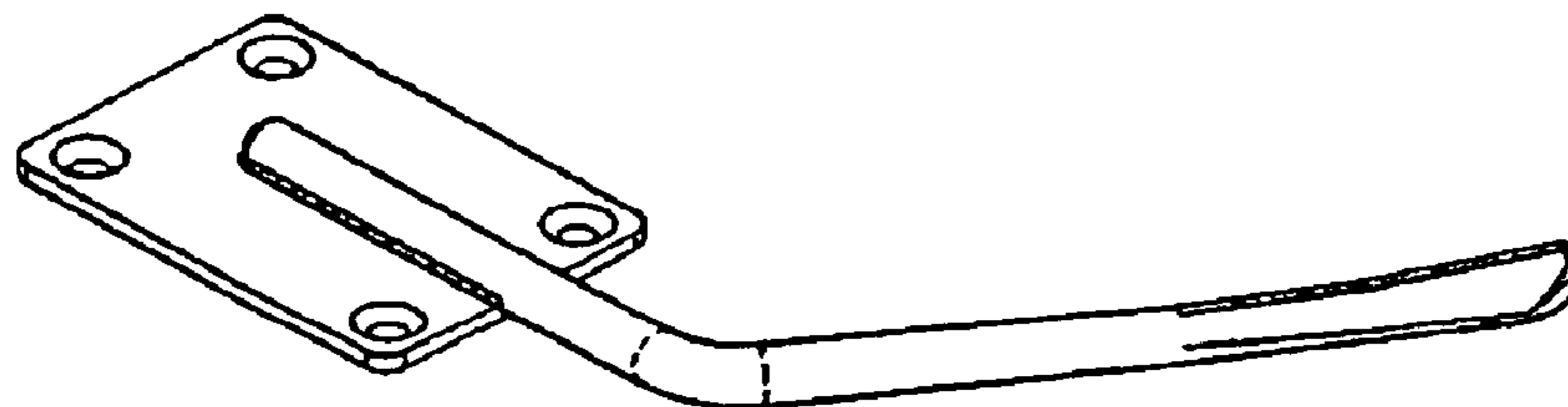


Figure 7

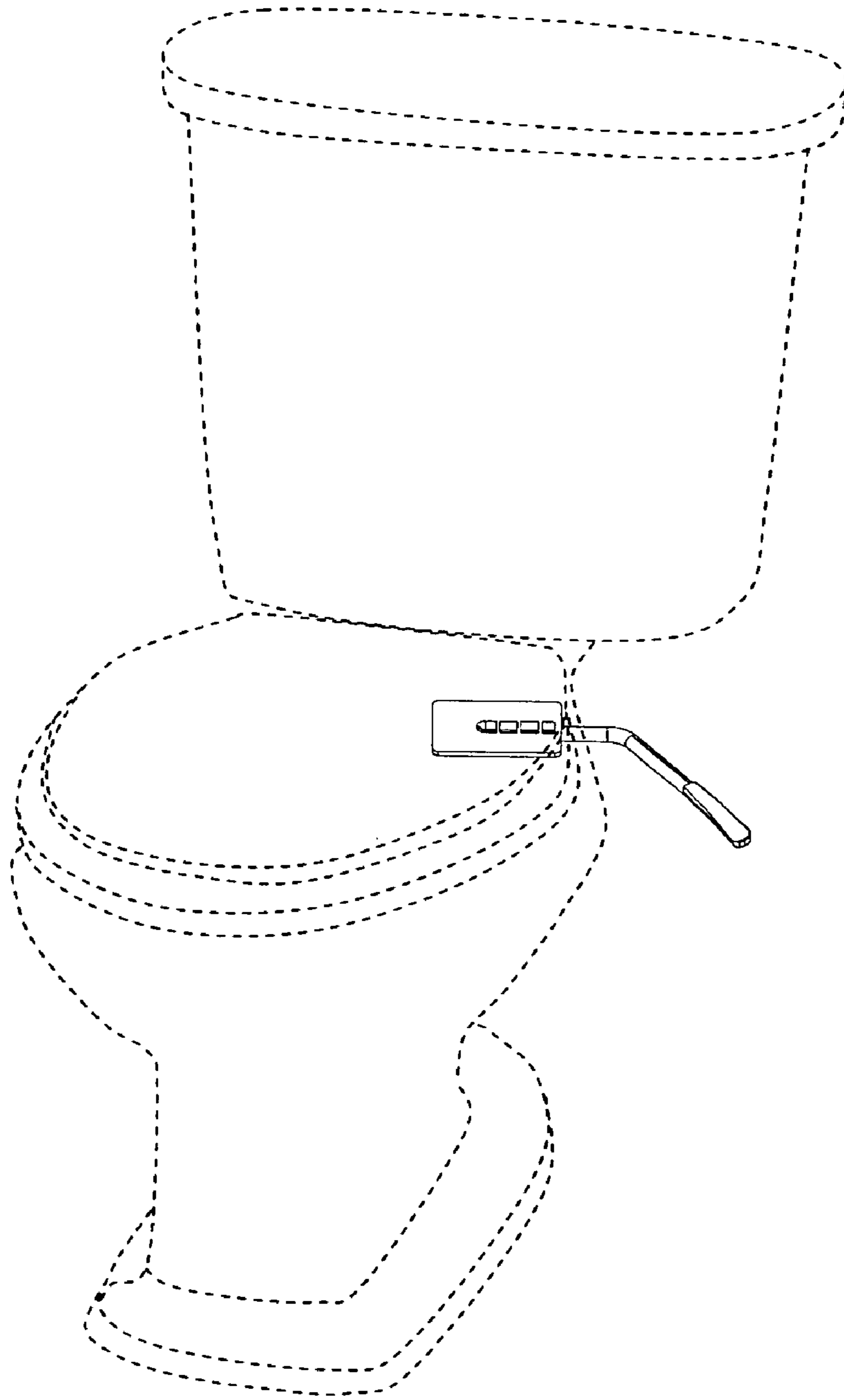


Figure 8