



US00D569217S

(12) **United States Design Patent**
Nähls

(10) **Patent No.:** **US D569,217 S**

(45) **Date of Patent:** **** May 20, 2008**

(54) **HANDLE**

(75) Inventor: **Mikael Nähls**, Raippaluoto (FI)

(73) Assignee: **ABB Oy**, Helsinki (FI)

(**) Term: **14 Years**

(21) Appl. No.: **29/274,038**

(22) Filed: **Mar. 22, 2007**

(30) **Foreign Application Priority Data**

Feb. 13, 2007 (FI) 20070034

(51) **LOC (8) Cl.** **08-06**

(52) **U.S. Cl.** **D8/302; D8/307**

(58) **Field of Classification Search** D8/300,
D8/302, 307, 311, 319, 320, DIG. 10, 331,
D8/343, 385; D13/110, 118; 16/110.1, 422,
16/426, 430; 70/169, 179, 191, 215; 74/528,
74/557

See application file for complete search history.

(56) **References Cited**

U.S. PATENT DOCUMENTS

D85,771 S * 12/1931 Ruppel D8/311
D198,397 S * 6/1964 Dickman D8/385

3,136,148 A * 6/1964 Nehls 70/169
D231,598 S * 5/1974 Northrop D8/302
D317,705 S * 6/1991 Tinz D8/307
5,511,286 A * 4/1996 Williams et al. 16/422
D479,195 S * 9/2003 Krieger et al. D13/110

* cited by examiner

Primary Examiner—Paula A. Greene

(74) *Attorney, Agent, or Firm*—Buchanan Ingersoll & Rooney, PC

(57) **CLAIM**

The ornamental design for a handle, as shown and described.

DESCRIPTION

FIG. 1 is a top, side perspective view of a handle showing my new design.

FIG. 2 is a side elevational view thereof, the other side being a mirror image.

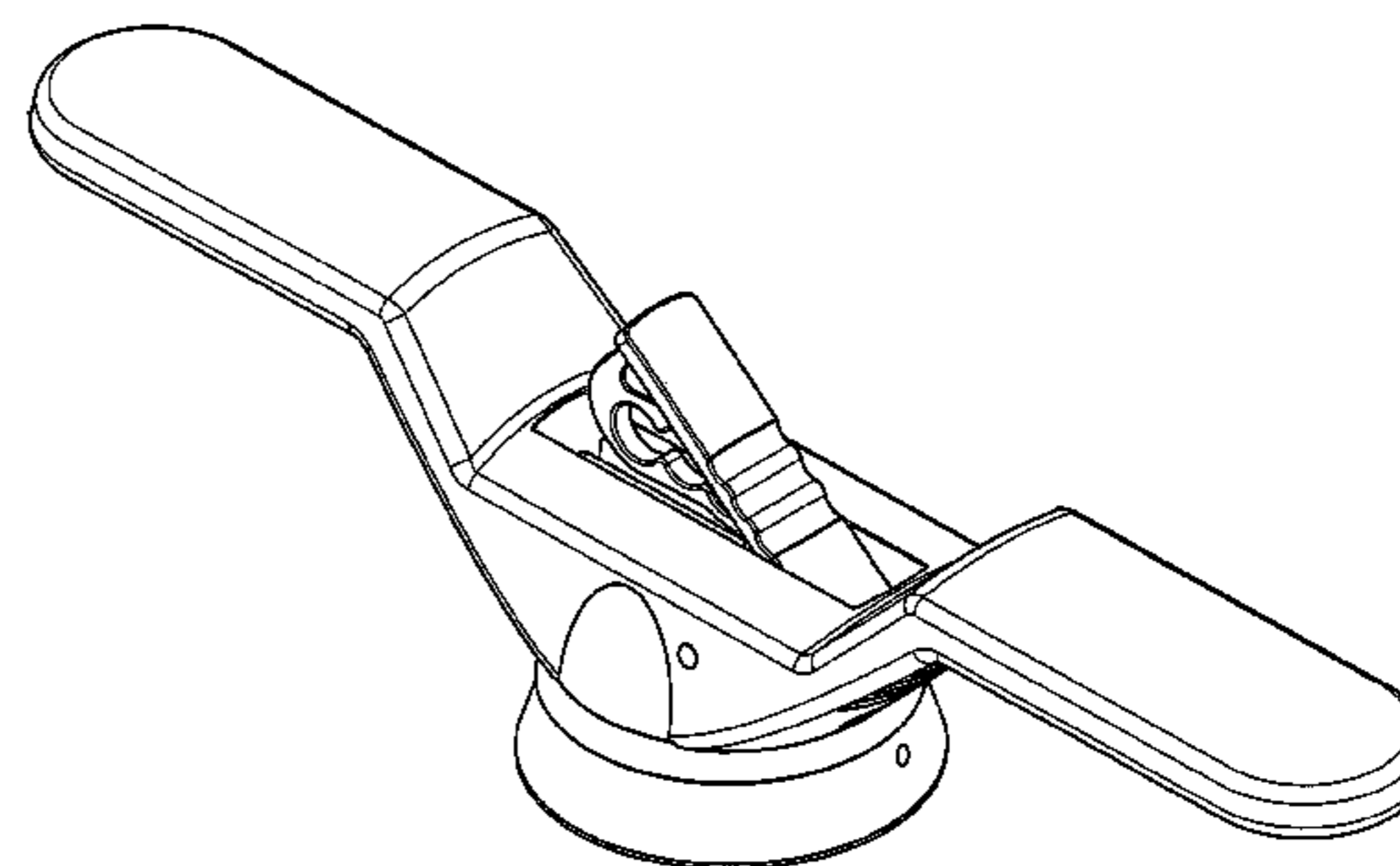
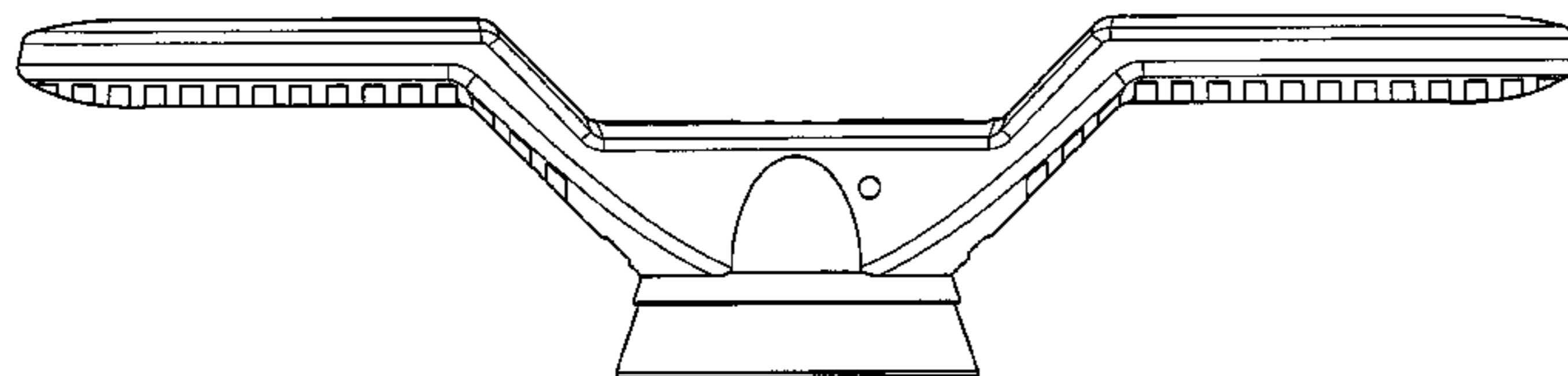
FIG. 3 is a front elevation view thereof, the rear view being a mirror image.

FIG. 4 is a top plan view thereof.

FIG. 5 is a bottom plan view thereof; and,

FIG. 6 is a further top, side perspective view thereof.

1 Claim, 6 Drawing Sheets



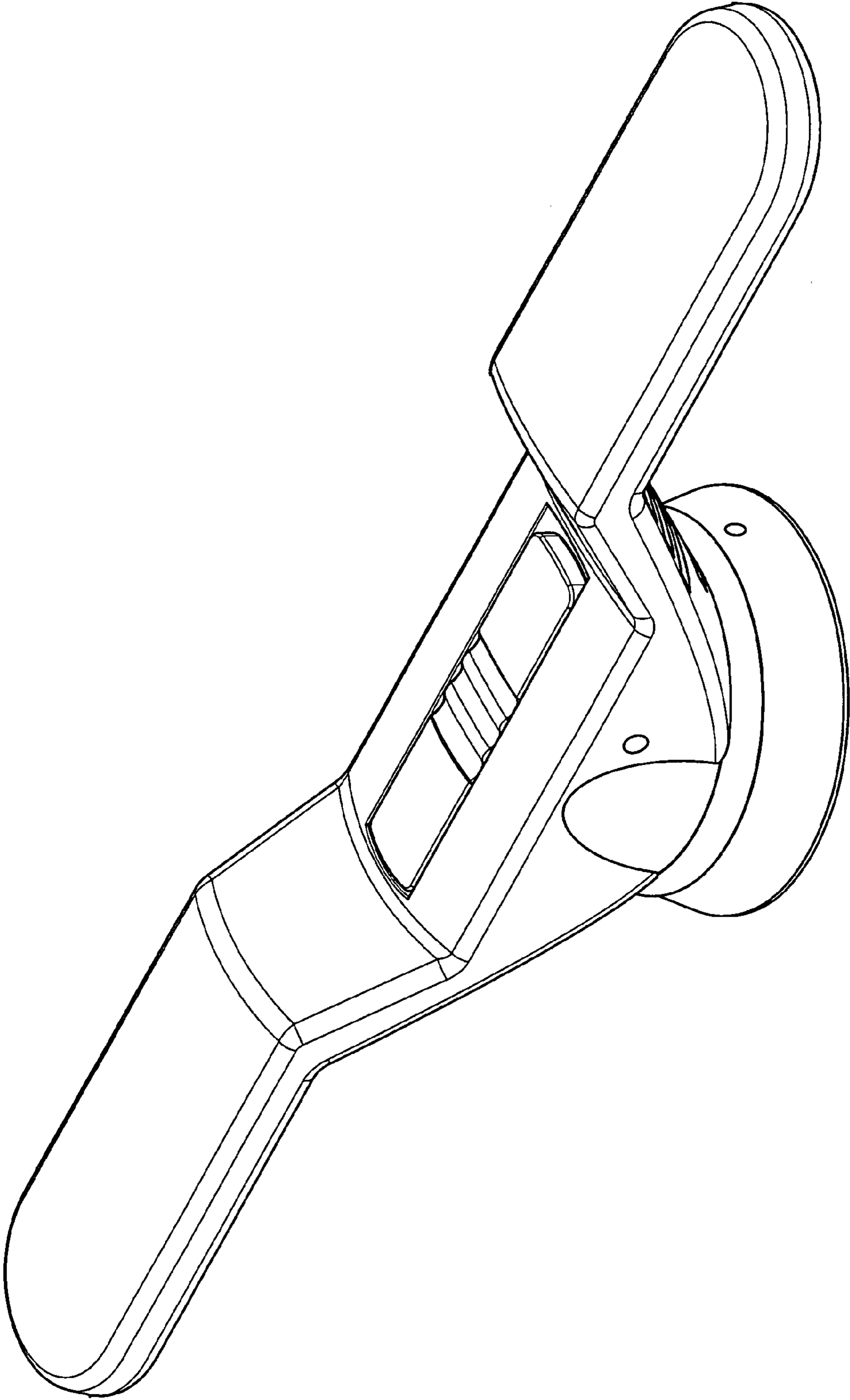


FIG. 1

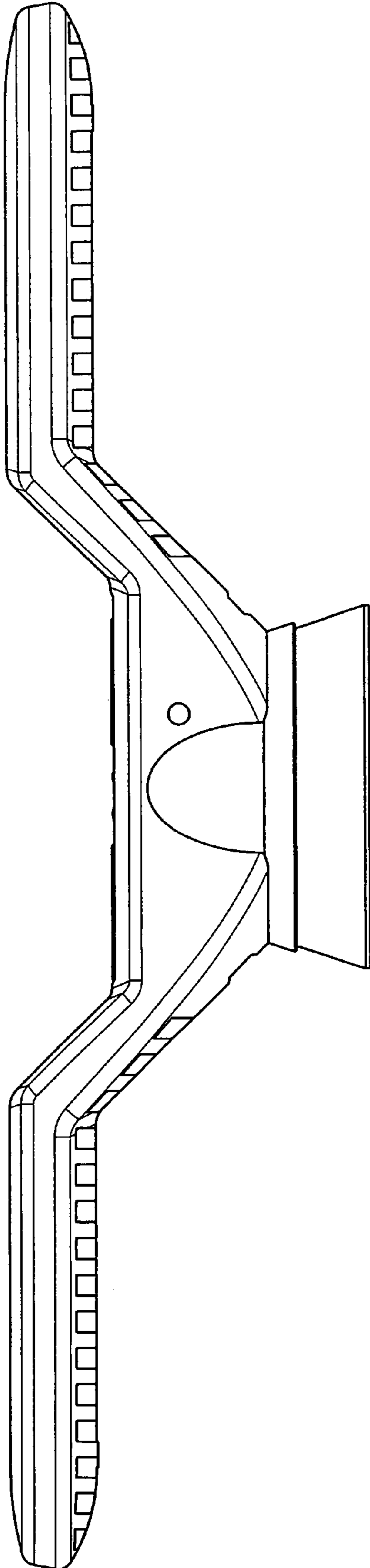


FIG. 2

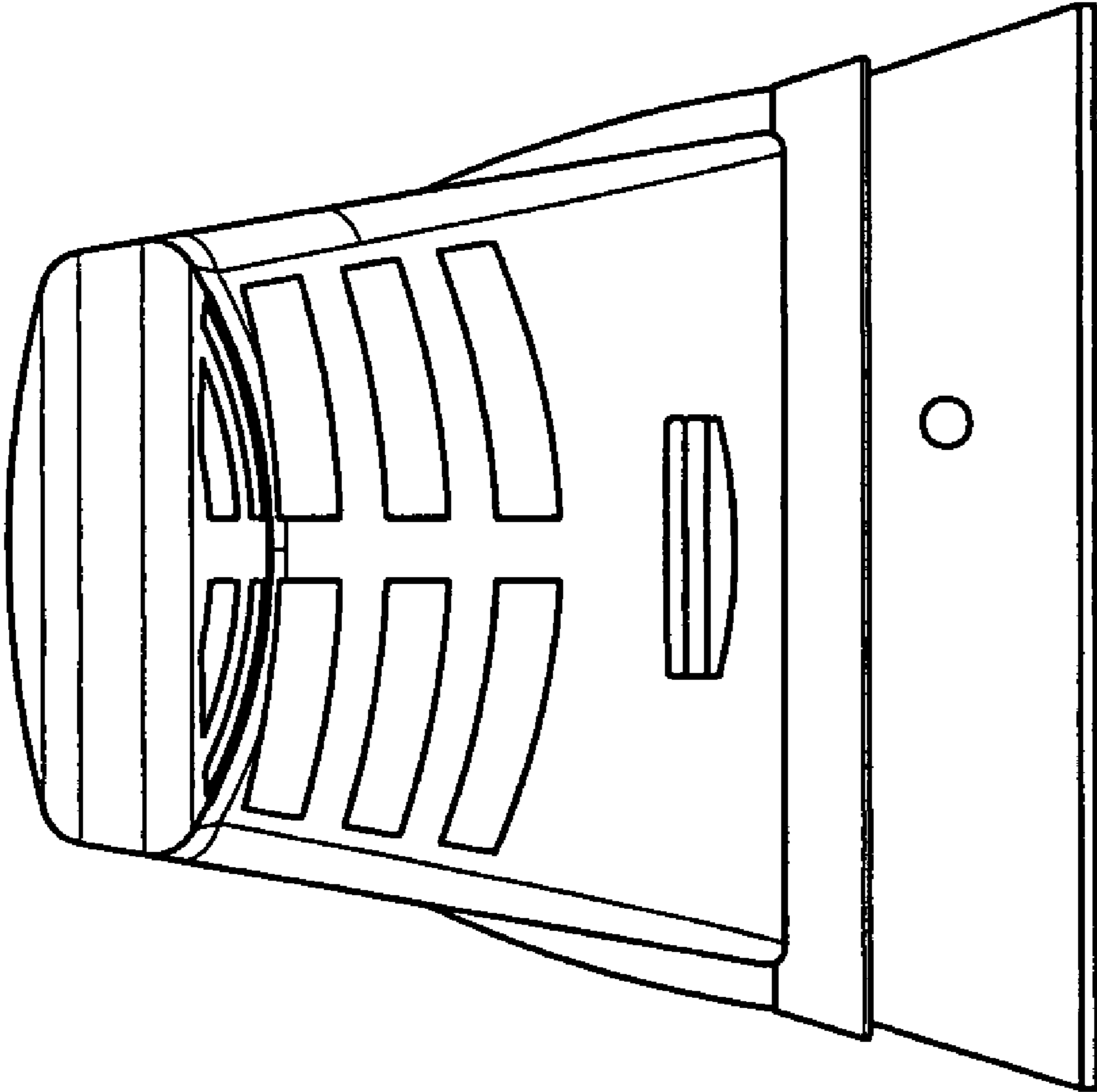


FIG. 3

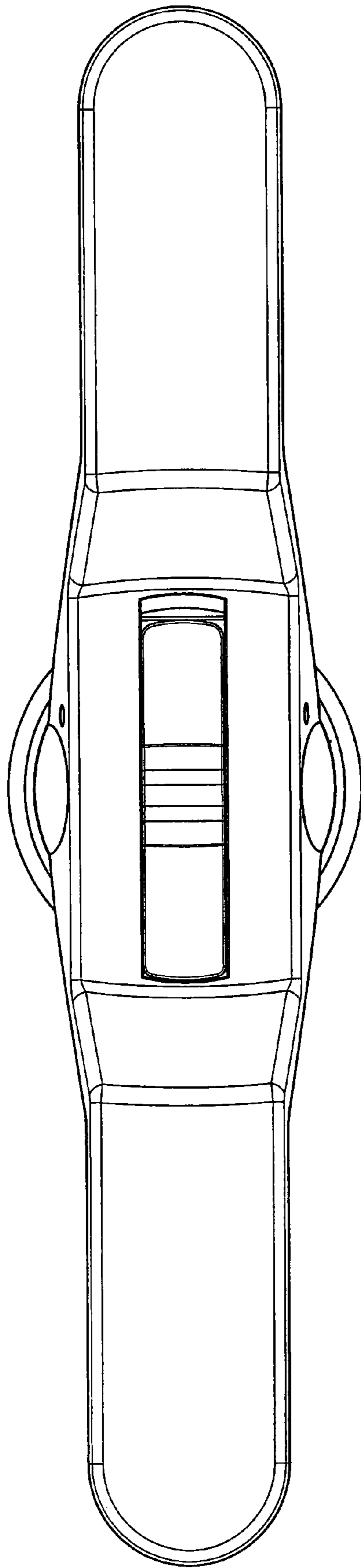


FIG. 4

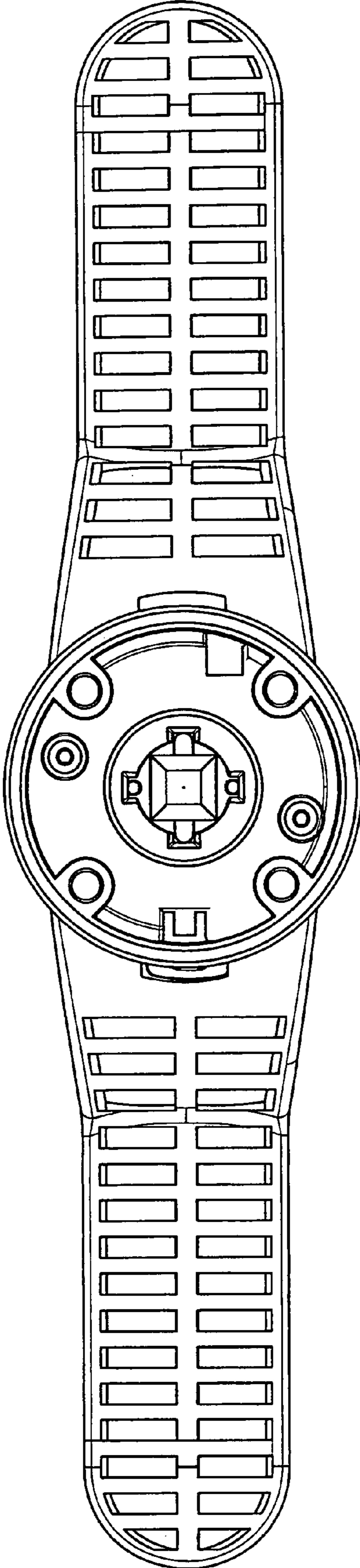


FIG. 5

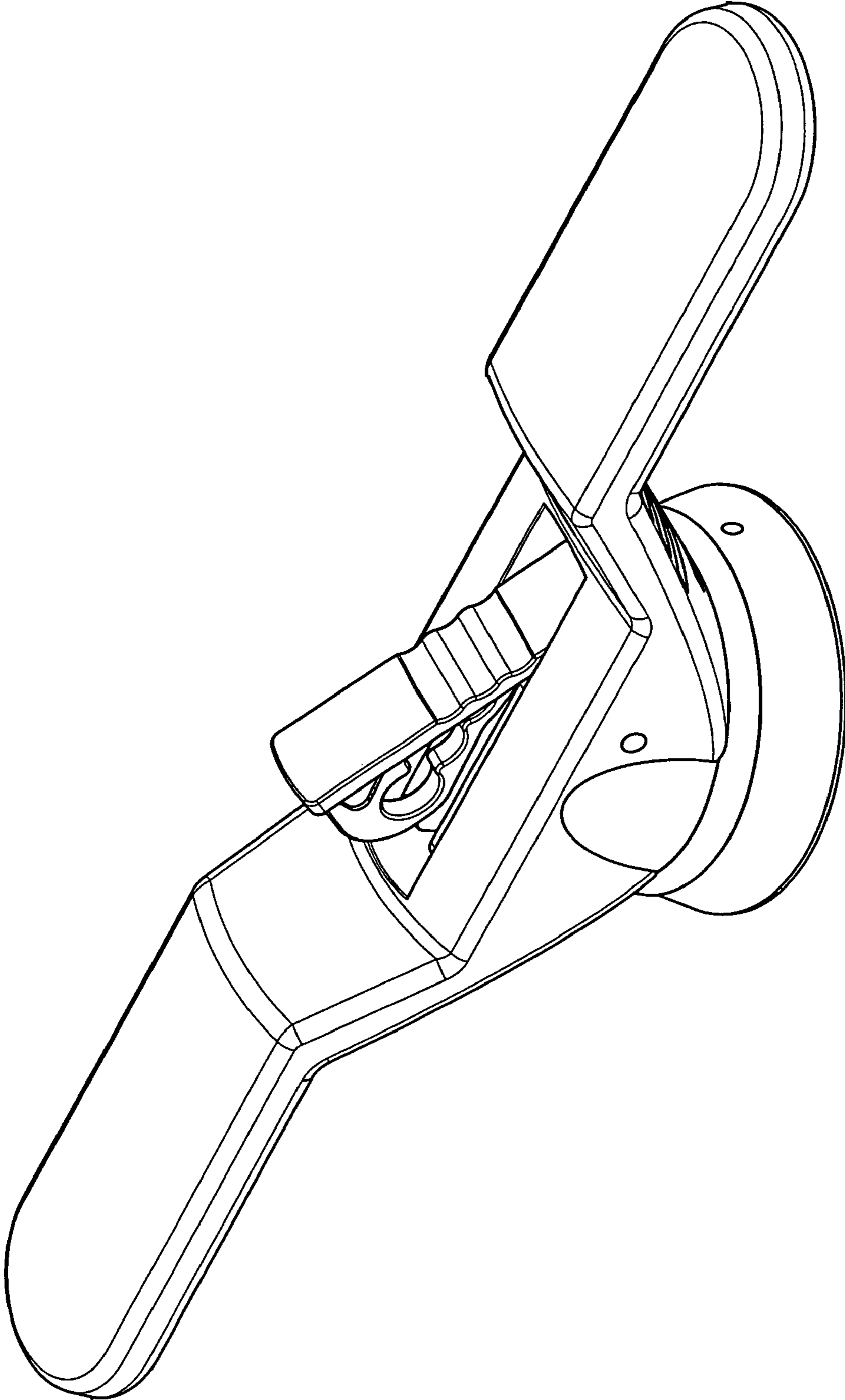


FIG. 6