



US00D569214S

(12) **United States Design Patent**
Telfser

(10) **Patent No.:** **US D569,214 S**

(45) **Date of Patent:** **** May 20, 2008**

(54) **TOOL ASSEMBLY**

(76) Inventor: **Gerard Telfser**, Rue des Casernes 5,
Yverdon-les-Bains (CH) 1400

(**) Term: **14 Years**

(21) Appl. No.: **29/295,278**

(22) Filed: **Sep. 25, 2007**

(51) **LOC (8) Cl.** **08-03**

(52) **U.S. Cl.** **D8/105**

(58) **Field of Classification Search** D19/65,
D19/75; D27/142, 143; D8/105, 99, 26,
D8/55, 81, 87, 29, 21, 28; 30/161, 164, 153,
30/152; 7/125-135, 138, 143, 164, 170,
7/146, 168; 81/177.1, 177.2, 440, 177.6,
81/427.5

See application file for complete search history.

(56) **References Cited**

U.S. PATENT DOCUMENTS

- D172,725 S * 7/1954 Polk D27/142
- D336,415 S * 6/1993 Cheng D8/105
- D350,271 S * 9/1994 Landy et al. D8/99
- D399,405 S * 10/1998 Savoia D8/105
- D427,875 S * 7/2000 Chiu D8/105
- D440,350 S * 4/2001 Park D27/142
- D452,037 S * 12/2001 Smith D27/143
- D455,784 S * 4/2002 FitzGerald D19/65

- D456,094 S * 4/2002 Robinson D27/142
- D509,318 S * 9/2005 Poinstingl et al. D27/143

* cited by examiner

Primary Examiner—Cathron Brooks

Assistant Examiner—Austin Murphy

(74) *Attorney, Agent, or Firm*—Bell, Boyd & Lloyd LLP

(57) **CLAIM**

I claim the ornamental design for a tool assembly, as shown and described herein.

DESCRIPTION

FIG. 1 illustrates a front perspective view of the tool assembly;

FIG. 2 illustrates a front elevation view of the tool assembly of FIG. 1;

FIG. 3 illustrates a rear elevation view of the tool assembly of FIG. 1;

FIG. 4 illustrates a top view of the tool assembly of FIG. 1;

FIG. 5 illustrates a bottom view of the tool assembly of FIG. 1;

FIG. 6 illustrates a left side elevation view of the tool assembly of FIG. 1; and,

FIG. 7 illustrates a right side elevation view of the tool assembly of FIG. 1.

1 Claim, 3 Drawing Sheets

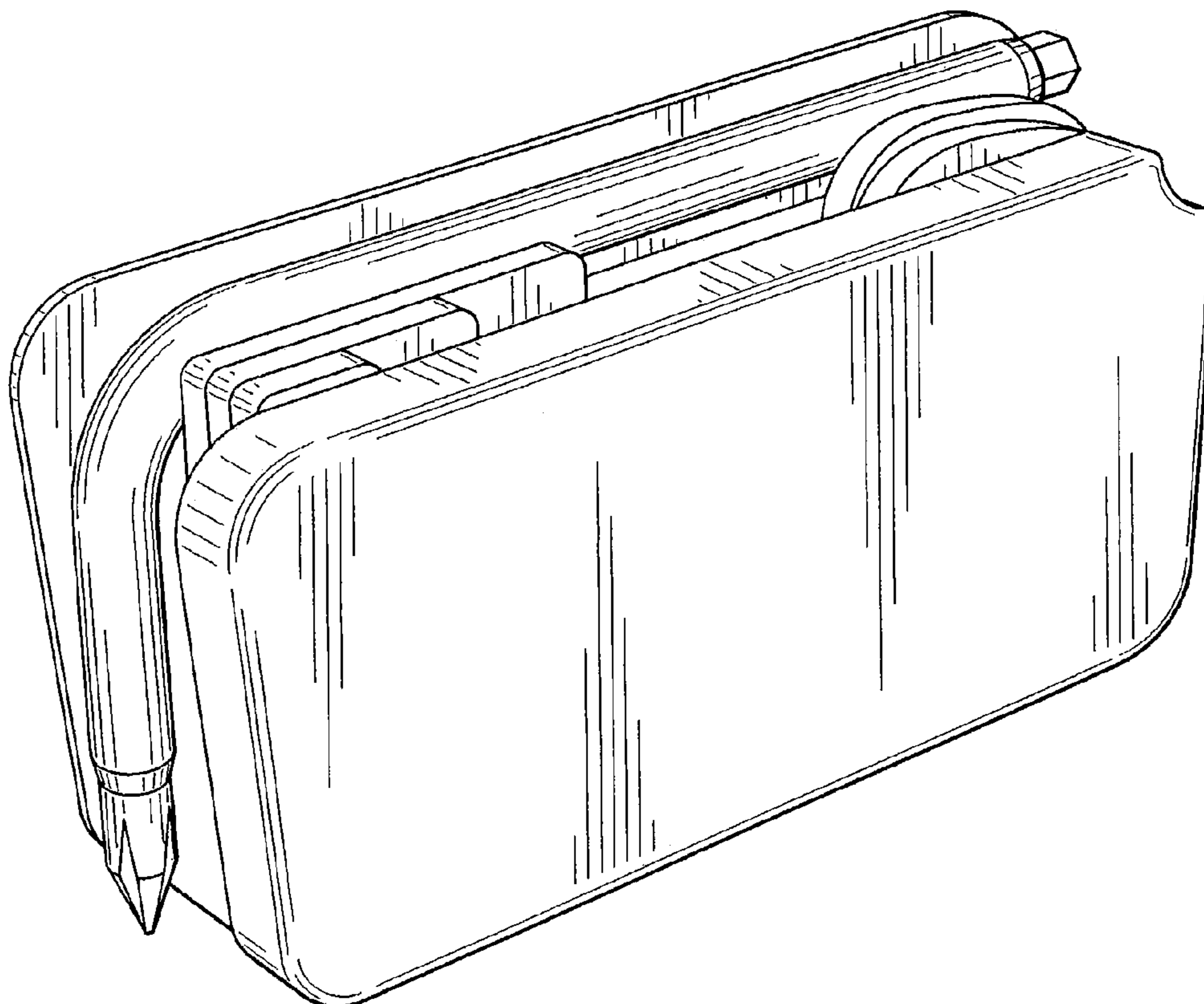


FIG. 1

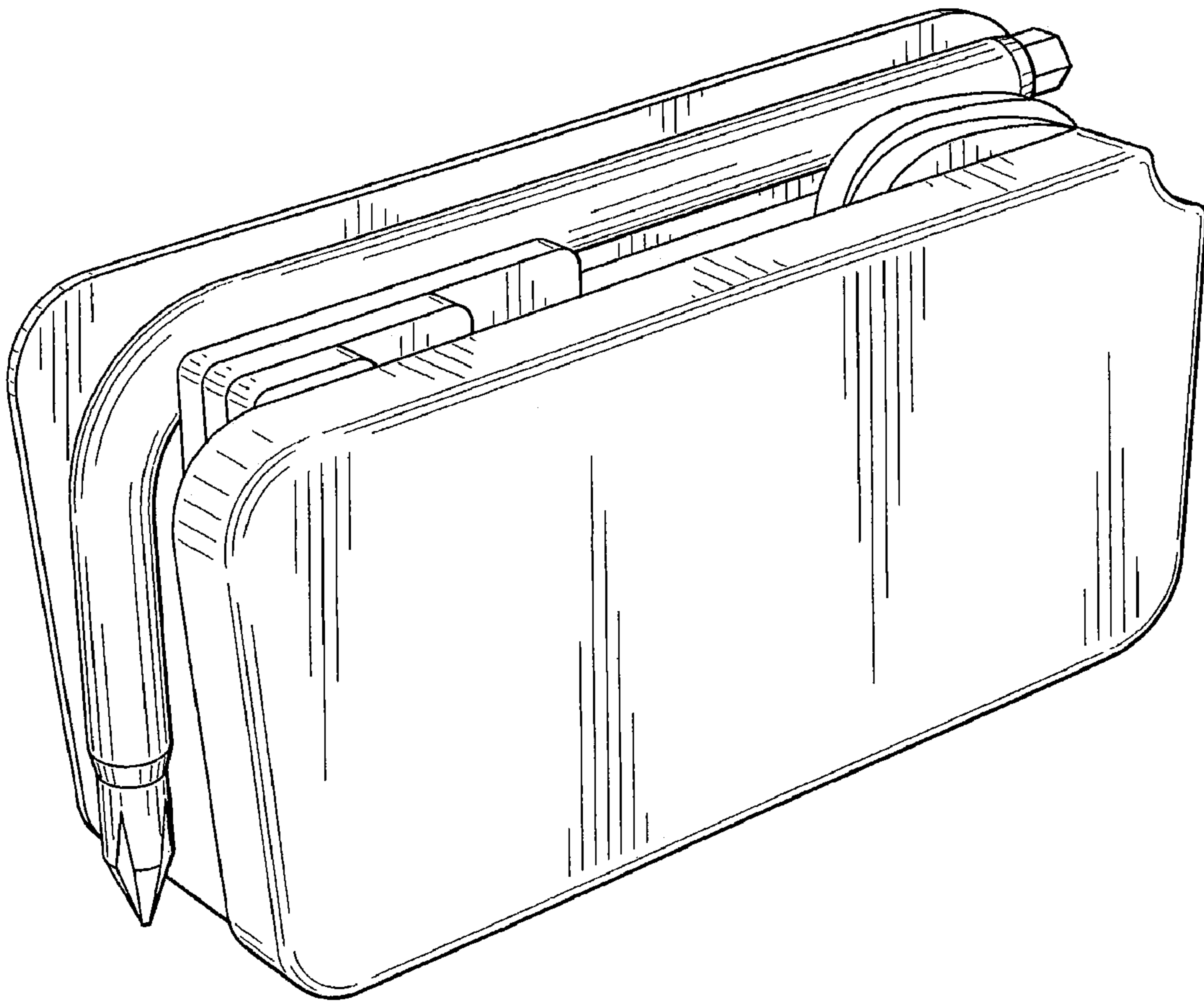


FIG. 2

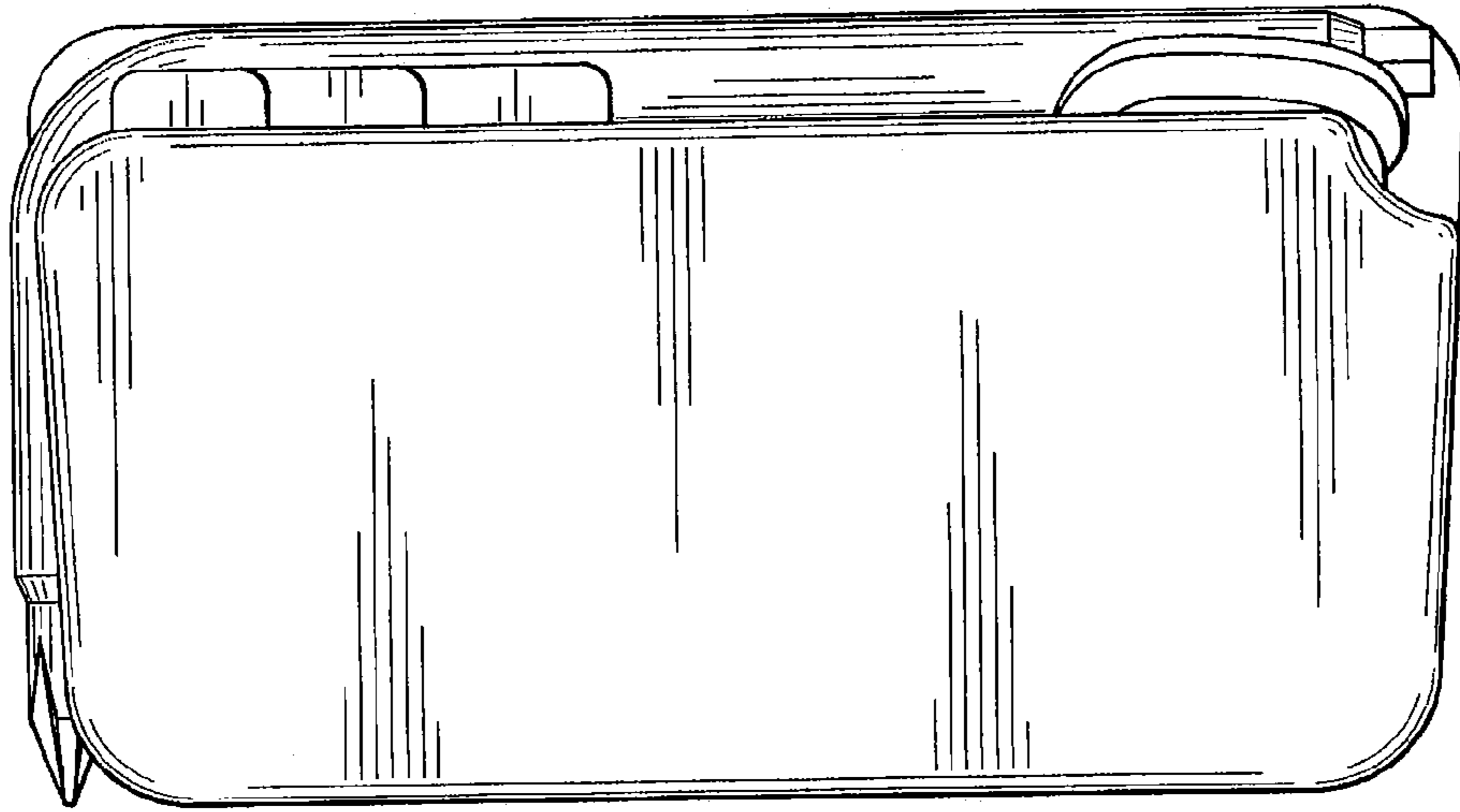


FIG. 3

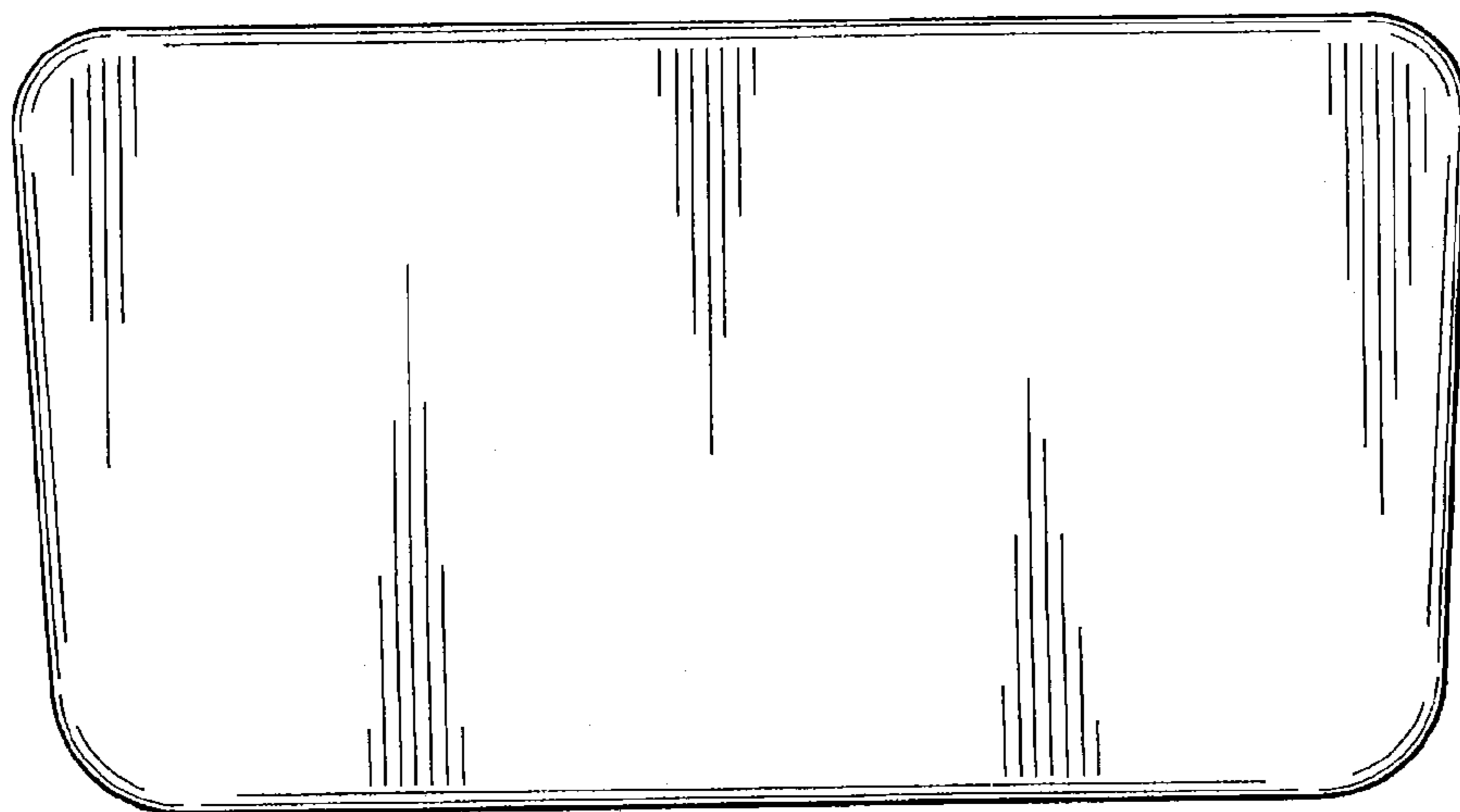


FIG.4

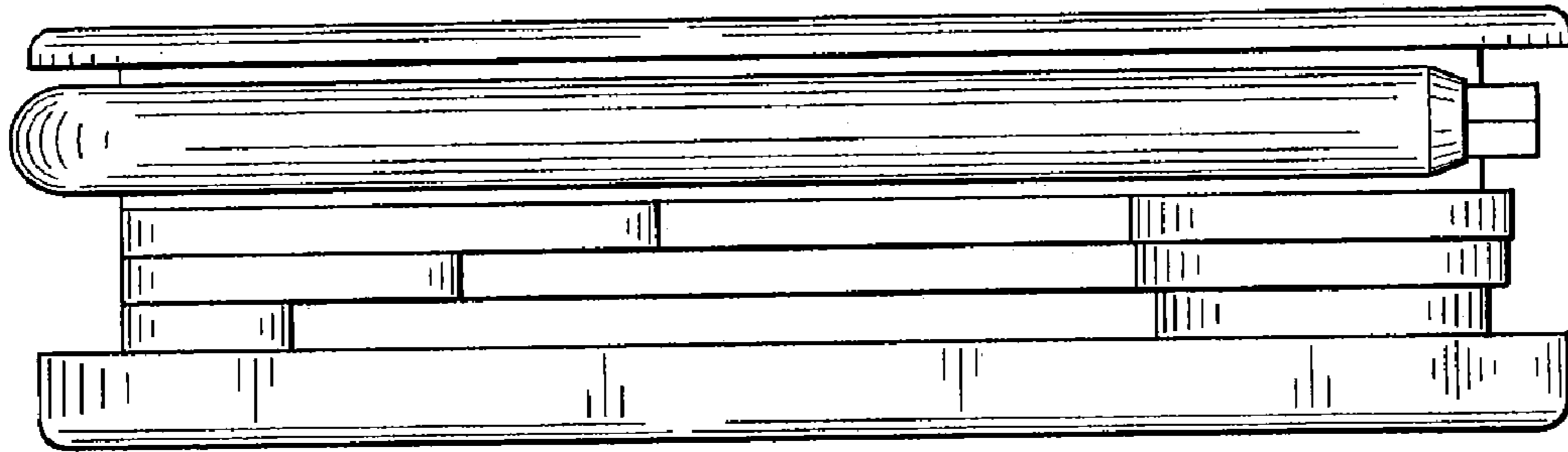


FIG.5

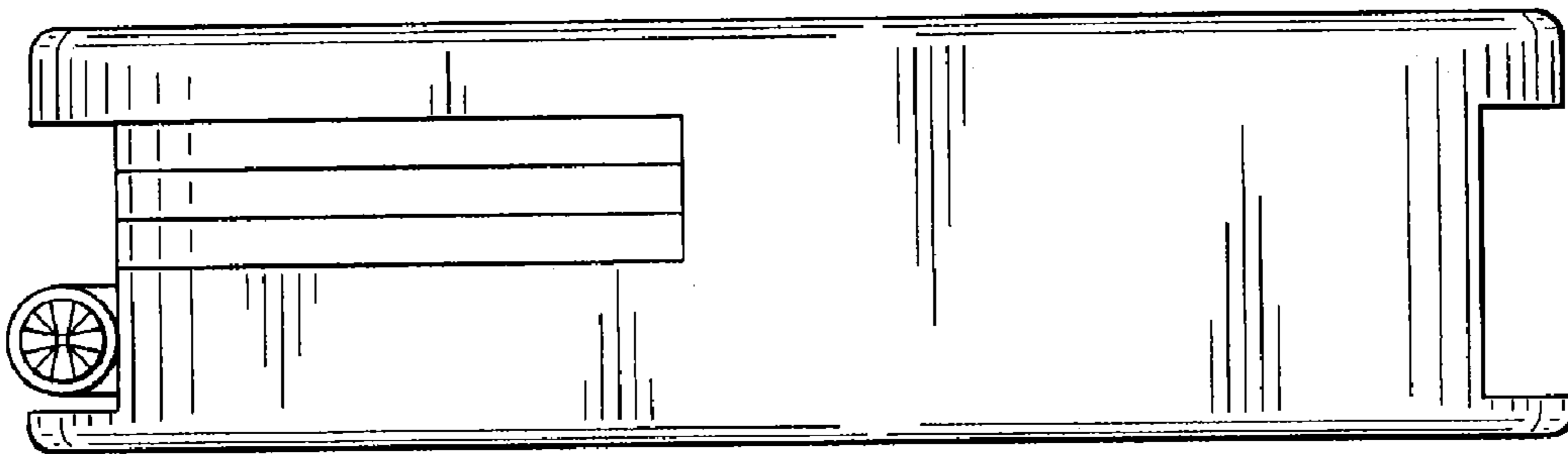


FIG.6

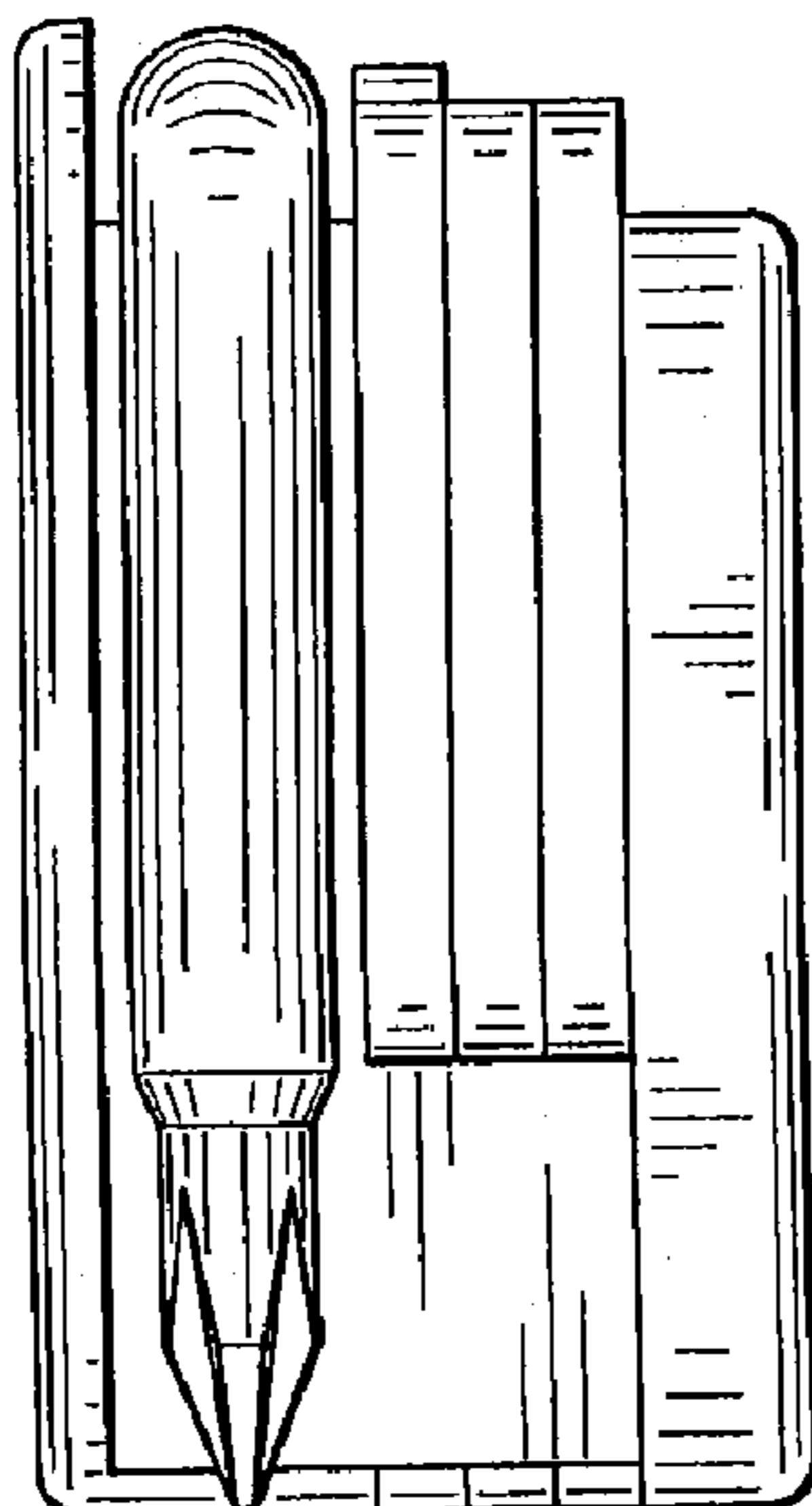


FIG.7

