



US00D569212S

(12) **United States Design Patent**  
**Hawk et al.**

(10) **Patent No.:** **US D569,212 S**  
(45) **Date of Patent:** **\*\* May 20, 2008**

(54) **FOLDING KNIFE**

(75) Inventors: **Grant W. Hawk**, Idaho City, ID (US);  
**Gavin D. Hawk**, Idaho City, ID (US)

(73) Assignee: **Kai U.S.A., Ltd.**, Tualatin, OR (US)

(\*\*) Term: **14 Years**

(21) Appl. No.: **29/275,725**

(22) Filed: **Jan. 4, 2007**

**Related U.S. Application Data**

(63) Continuation of application No. 11/374,289, filed on Sep. 16, 2005.

(51) **LOC (8) Cl.** ..... **08-03**

(52) **U.S. Cl.** ..... **D8/99**

(58) **Field of Classification Search** ..... D8/98,  
D8/99, 100, 105, 107; 30/155, 156, 157,  
30/158, 159, 160, 161, 162; D22/118  
See application file for complete search history.

(56) **References Cited**

**U.S. PATENT DOCUMENTS**

2,561,682	A	7/1951	Barnett	
2,596,294	A	5/1952	Schrade	
D257,612	S *	12/1980	Goldin et al.	D8/99
4,612,706	A	9/1986	Yunes	30/160
D302,649	S *	8/1989	Porsche et al.	D8/99
D302,650	S *	8/1989	Giordano	D8/99
D304,154	S *	10/1989	Osterhout	D8/99
4,974,323	A	12/1990	Cassady	30/155
D321,820	S *	11/1991	Russell	D8/99
5,331,741	A	7/1994	Taylor, Jr.	30/158
D399,403	S *	10/1998	Pohl	D8/99
5,815,927	A	10/1998	Collins	30/161
D411,091	S *	6/1999	Halligan	D8/99
D427,043	S *	6/2000	Cheng	D8/99
D429,986	S *	8/2000	Cheng	D8/99

6,594,906	B1	7/2003	Sakai et al.	30/155
6,763,592	B2 *	7/2004	Yu	30/161
D505,057	S *	5/2005	Ralph	D8/99
D523,317	S *	6/2006	Ryan et al.	D8/99
2006/0080841	A1 *	4/2006	Hatcher et al.	30/155

**FOREIGN PATENT DOCUMENTS**

DE 1104386 4/1961

**OTHER PUBLICATIONS**

External Toggle Knife by Grant and Gavin Hawk, found on Arizona Custom Knives websight.\*

\* cited by examiner

*Primary Examiner*—Philip S. Hyder

(74) *Attorney, Agent, or Firm*—Seed IP Law Group PLLC

(57) **CLAIM**

The ornamental design for a folding knife, substantially as shown and described.

**DESCRIPTION**

FIG. 1 is a perspective view of a folding knife showing our new design, with the blade of the knife in an open position.

FIG. 2 is a perspective view of the folding knife with the blade in the closed position.

FIG. 3 is a right side elevational view thereof.

FIG. 4 is a left side elevational view thereof.

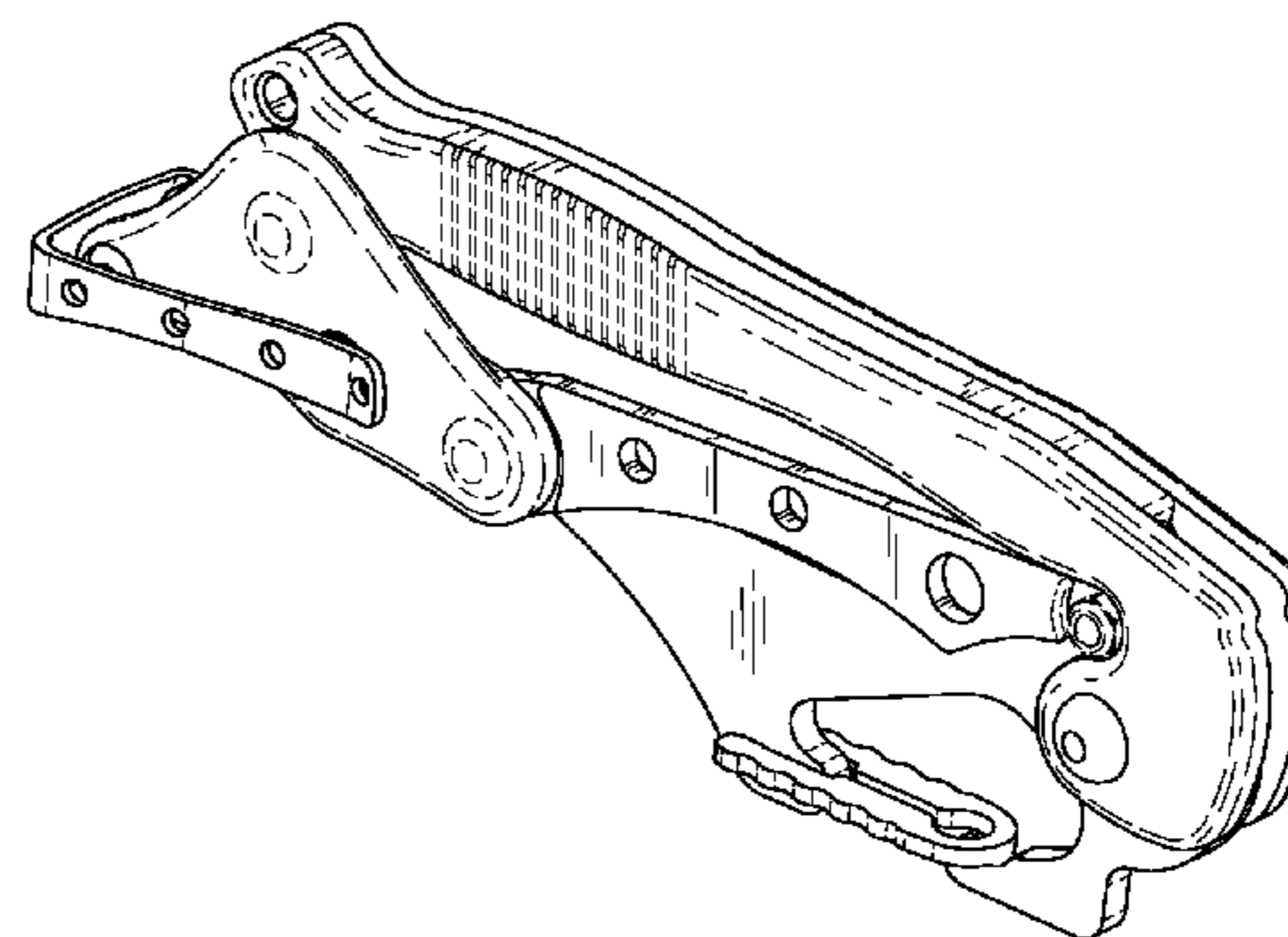
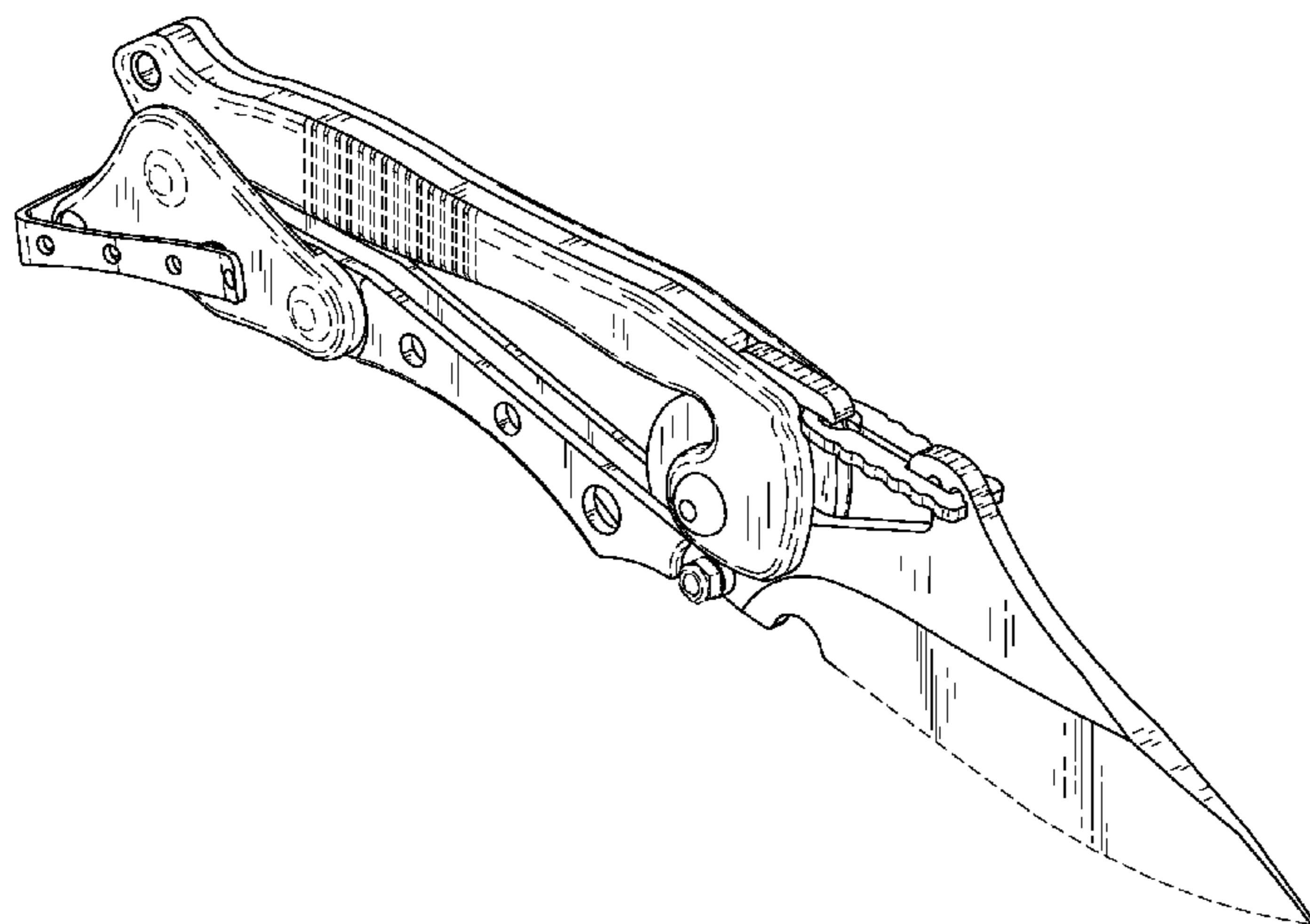
FIG. 5 is a top plan view thereof.

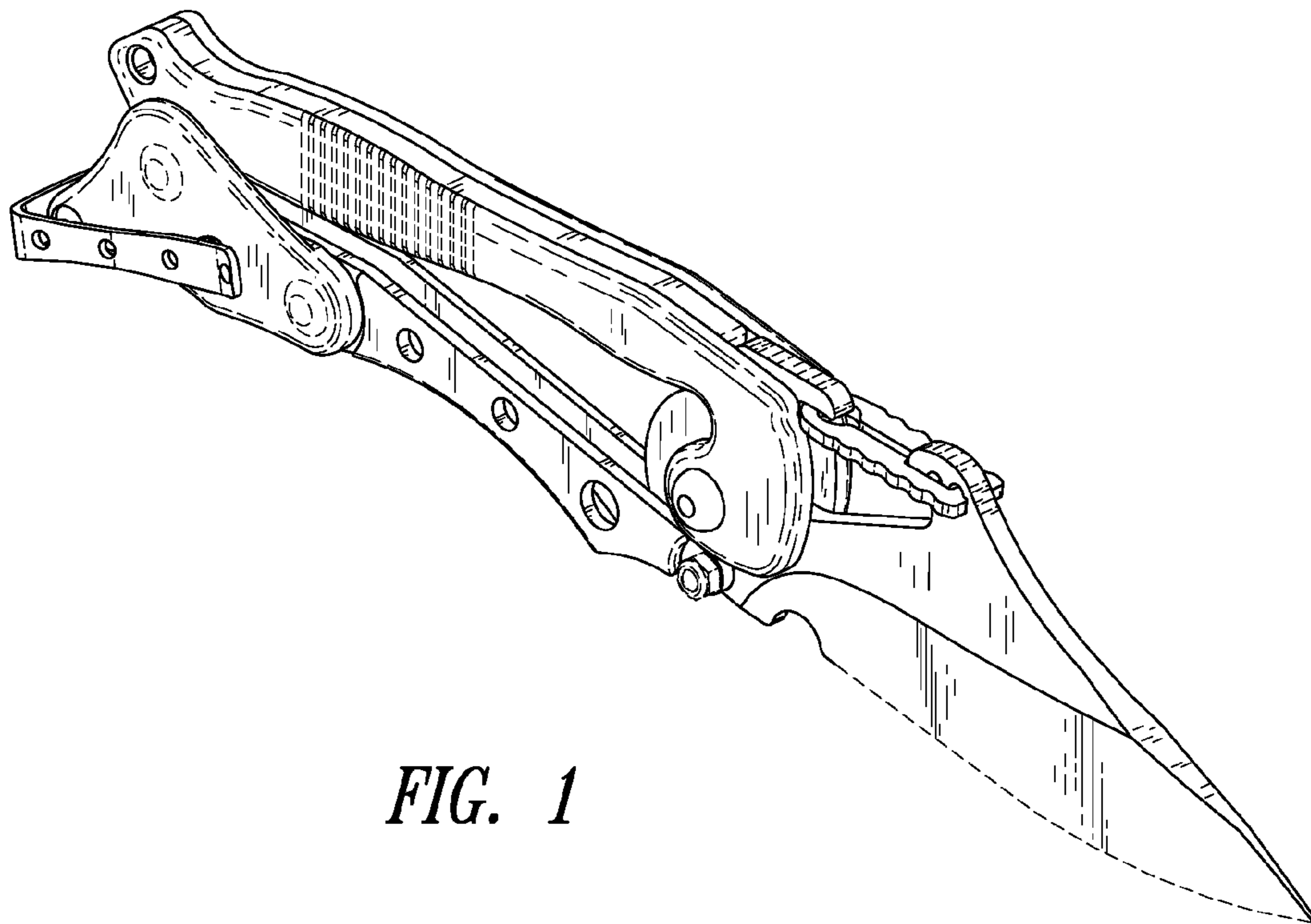
FIG. 6 is a bottom plan view thereof; and,

FIG. 7 is a front elevational view thereof.

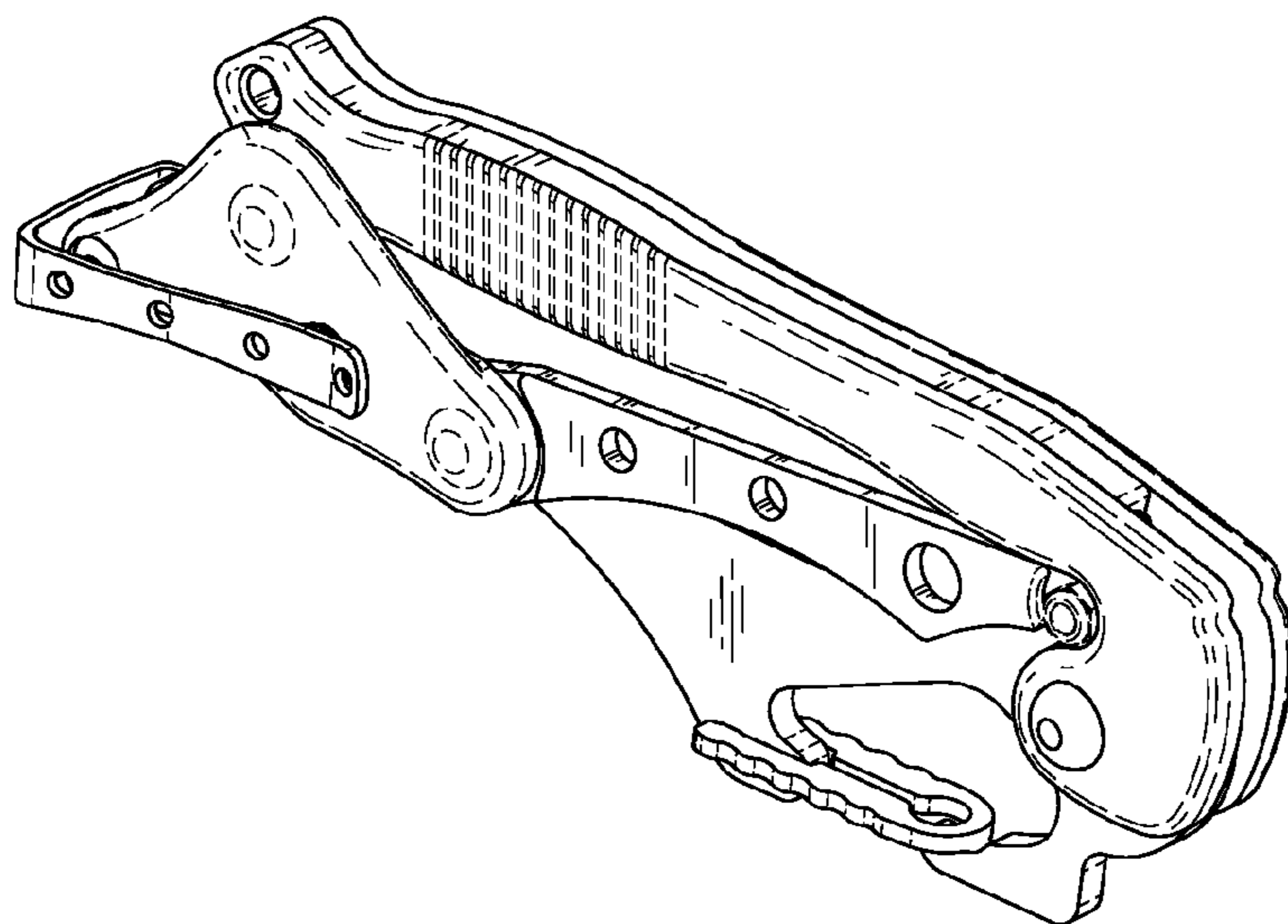
Shading lines shown in the drawings are intended to represent the approximate three-dimensional contour of the design, and are not intended to indicate surface decoration. Features not shown in the drawings, or features depicted in broken lines, form no part of the claimed design.

**1 Claim, 6 Drawing Sheets**

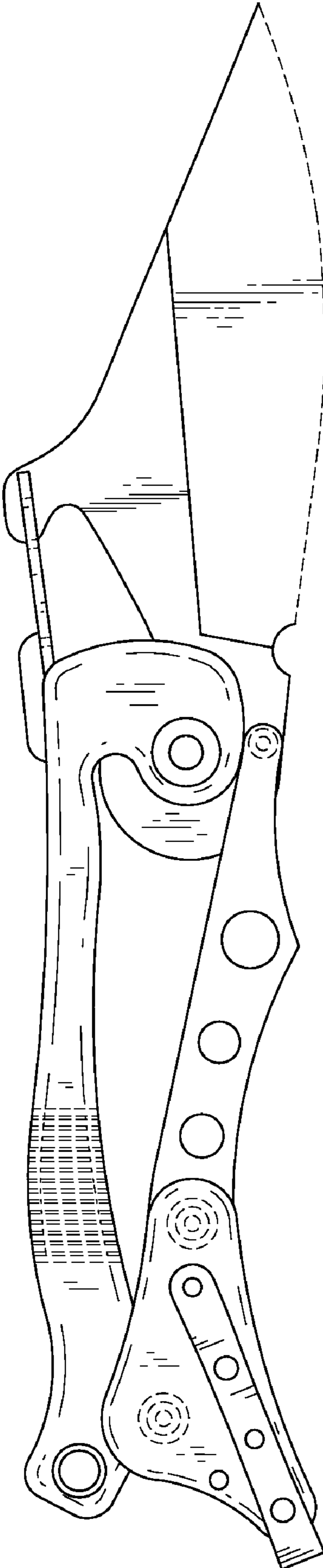




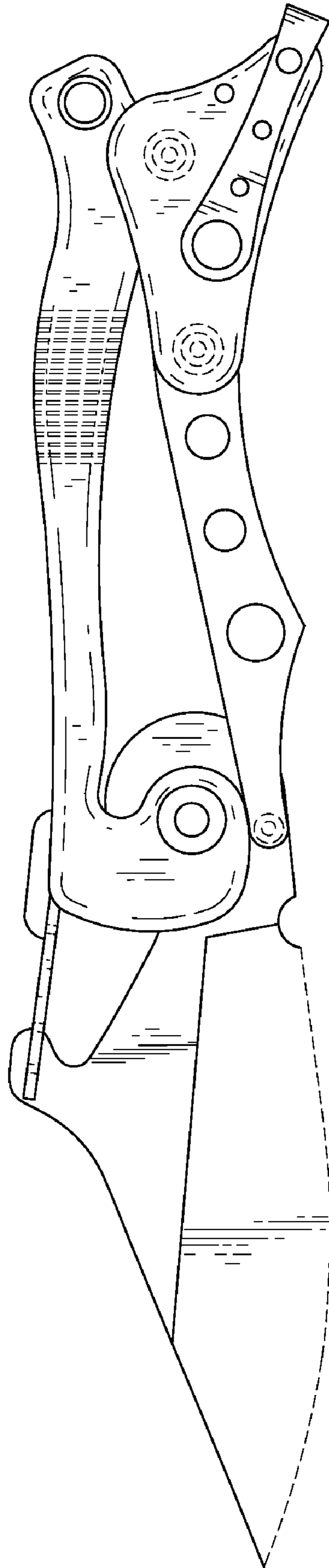
*FIG. 1*



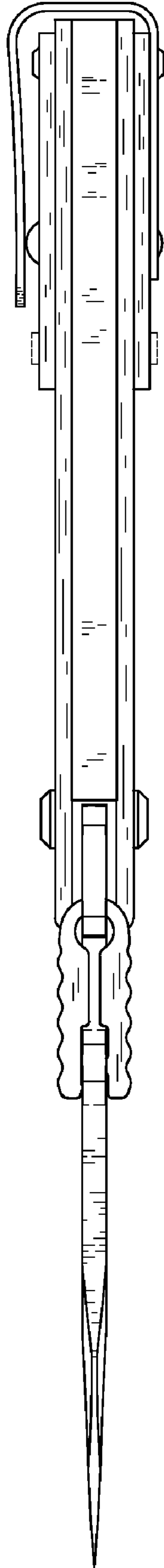
*FIG. 2*



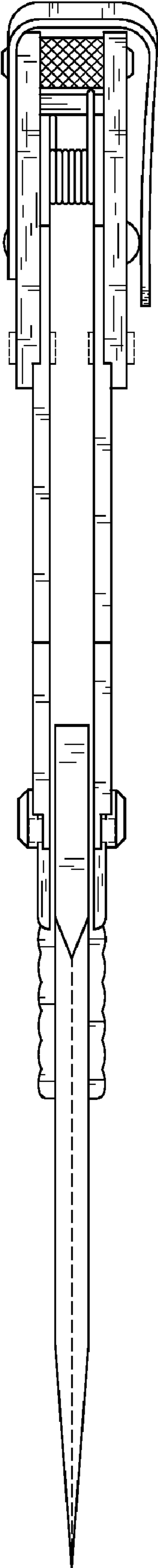
*FIG. 3*



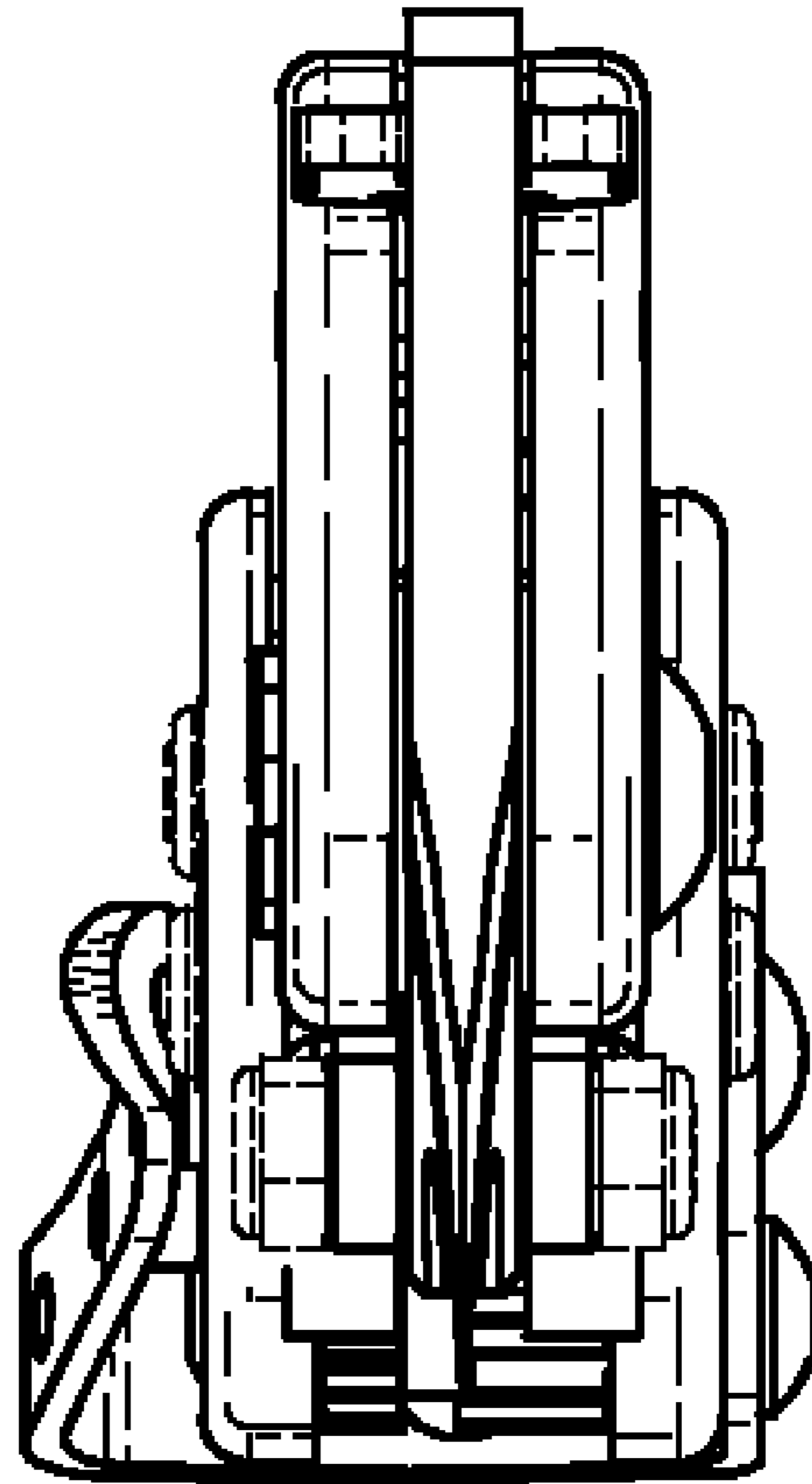
*FIG. 4*



*FIG. 5*



*FIG. 6*



*FIG. 7*