



US00D569208S

(12) **United States Design Patent** (10) **Patent No.:** **US D569,208 S**
Concari (45) **Date of Patent:** **** May 20, 2008**

(54) **DRILL CHUCK**

(75) Inventor: **Gabriel E. Concari**, Eldersburg, MD (US)

(73) Assignee: **Black & Decker Inc.**, Newark, DE (US)

(**) Term: **14 Years**

(21) Appl. No.: **29/254,407**

(22) Filed: **Feb. 23, 2006**

(51) **LOC (8) Cl.** **08-01**

(52) **U.S. Cl.** **D8/70**

(58) **Field of Classification Search** D8/61, D8/62, 63, 64, 65, 66, 67, 68, 69, 70, 71; D15/132, 133, 138, 139, 140; 279/60, 61, 279/62, 63, 64, 65, 66, 157, 901, 902; 408/56, 408/240

See application file for complete search history.

(56) **References Cited**

U.S. PATENT DOCUMENTS

- 813,864 A * 2/1906 Coit 279/61
- 879,741 A * 2/1908 Coit 279/61
- 1,109,121 A * 9/1914 Emrick 279/63
- 1,364,361 A * 1/1921 Emrick 279/63
- 1,885,790 A * 11/1932 Amyot 279/63
- 1,979,652 A 11/1934 Taylor
- 3,738,768 A * 6/1973 Kuhn 408/240
- 4,302,021 A * 11/1981 Rohm 279/60
- 4,836,563 A * 6/1989 Rohm 279/63
- 4,913,449 A * 4/1990 Rohm 279/60
- 4,955,623 A * 9/1990 Rohm 279/60
- 4,991,859 A * 2/1991 Rohm 279/60
- 5,054,796 A * 10/1991 Rohm 279/60
- D329,794 S * 9/1992 Graham D8/68
- 5,145,193 A 9/1992 Rohm

- 5,171,030 A * 12/1992 Rohm 279/62
- 5,236,206 A * 8/1993 Rohm 279/60
- D347,372 S 5/1994 Ghode
- 5,375,858 A * 12/1994 Rohm 279/902
- D356,932 S 4/1995 Owens et al.
- D359,217 S 6/1995 Owens et al.
- D359,432 S 6/1995 Owens
- 5,464,230 A * 11/1995 Rohm 279/63
- 5,476,273 A 12/1995 Shadeck et al.
- D366,052 S 1/1996 Barton et al.
- 5,531,461 A 7/1996 Huff et al.
- 5,553,873 A 9/1996 Salpaka et al.
- D386,193 S 11/1997 Steadings
- D386,662 S 11/1997 Tozawa et al.
- 5,709,392 A 1/1998 Barton et al.
- D392,654 S 3/1998 Stratford

(Continued)

FOREIGN PATENT DOCUMENTS

GB 3007264 S * 9/2002

Primary Examiner—T. Chase Nelson

(74) *Attorney, Agent, or Firm*—Michael P. Leary; Chuck Yocum; Adan Ayala

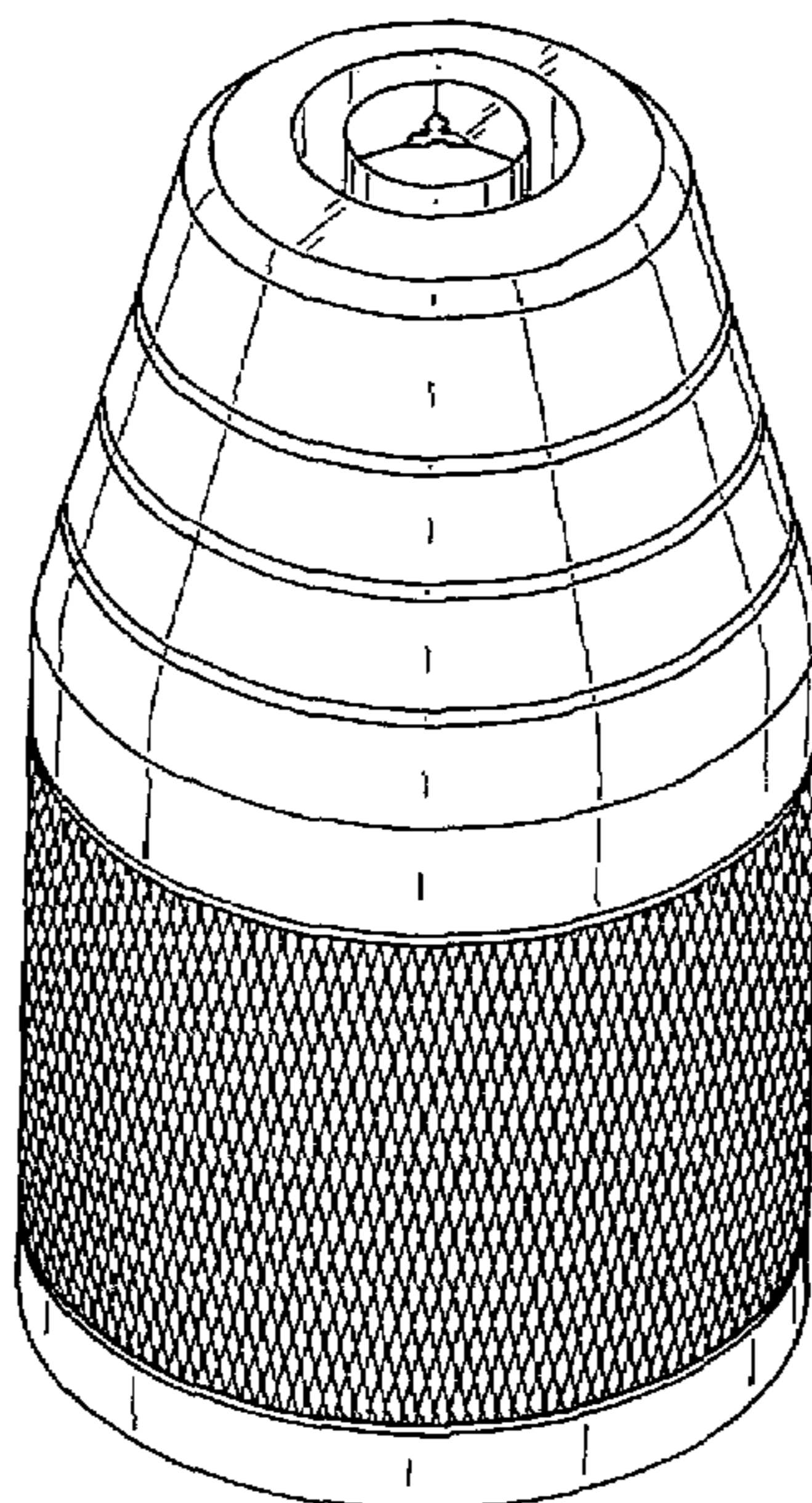
(57) **CLAIM**

The ornamental design for a drill chuck, as shown and described.

DESCRIPTION

- FIG. 1 is a top perspective view of a drill chuck.
- FIG. 2 is a side elevational view thereof.
- FIG. 3 is a top plan view thereof;
- FIG. 4 is a bottom plan view thereof; and,
- FIG. 5 is a bottom perspective view thereof.

1 Claim, 4 Drawing Sheets



US D569,208 S

Page 2

U.S. PATENT DOCUMENTS

D396,177 S	7/1998	Schultz		D467,481 S *	12/2002	Watson	D8/68
D400,418 S	11/1998	Lui		D469,325 S	1/2003	Carroll		
5,829,761 A *	11/1998	Rohm	279/62	D471,571 S *	3/2003	Concari
D402,675 S	12/1998	Long		D472,443 S	4/2003	Chunn et al.		D15/140
D402,871 S	12/1998	Clowers et al.		D473,120 S	4/2003	Lind et al.		
5,918,886 A *	7/1999	Horiuchi et al.	D475,596 S	6/2003	Ozawa et al.		
D413,340 S	8/1999	Gaddis		D485,738 S	1/2004	Pretzell		
D416,461 S	11/1999	Long		D501,384 S	2/2005	Wright et al.		
D417,228 S	11/1999	Miles		D514,416 S *	2/2006	Watson	D8/70
D421,615 S	3/2000	Argo et al.		D514,417 S	2/2006	Watson et al.		
D423,527 S	4/2000	Sakamaki		D542,814 S *	5/2007	Concari	D8/70
D426,442 S	6/2000	Long		D542,815 S *	5/2007	Concari et al.	D8/70
D426,840 S *	6/2000	Sakamaki	D8/70	2002/0089127 A1 *	7/2002	Rohm
D427,216 S	6/2000	Miles et al.		279/902	2003/0020242 A1 *	1/2003	Mack
D431,766 S *	10/2000	Zurwelle	D8/69	2003/0080521 A1 *	5/2003	Mack
6,129,363 A *	10/2000	Mack	279/62	2005/0023774 A1 *	2/2005	Mack
D433,909 S	11/2000	Long		279/60	2006/0061048 A1 *	3/2006	Puzio et al.
D434,629 S	12/2000	Long		279/60	2007/0152407 A1 *	7/2007	Mack
D436,511 S	1/2001	Hayakawa et al.		279/60	2007/0182108 A1 *	8/2007	Mack
D461,696 S	8/2002	Chunn et al.		279/60	2007/0235951 A1 *	10/2007	Mack
D461,697 S	8/2002	Chunn et al.		279/60	2007/0235952 A1 *	10/2007	Mack
D462,249 S	9/2002	Chunn et al.		279/62				

* cited by examiner

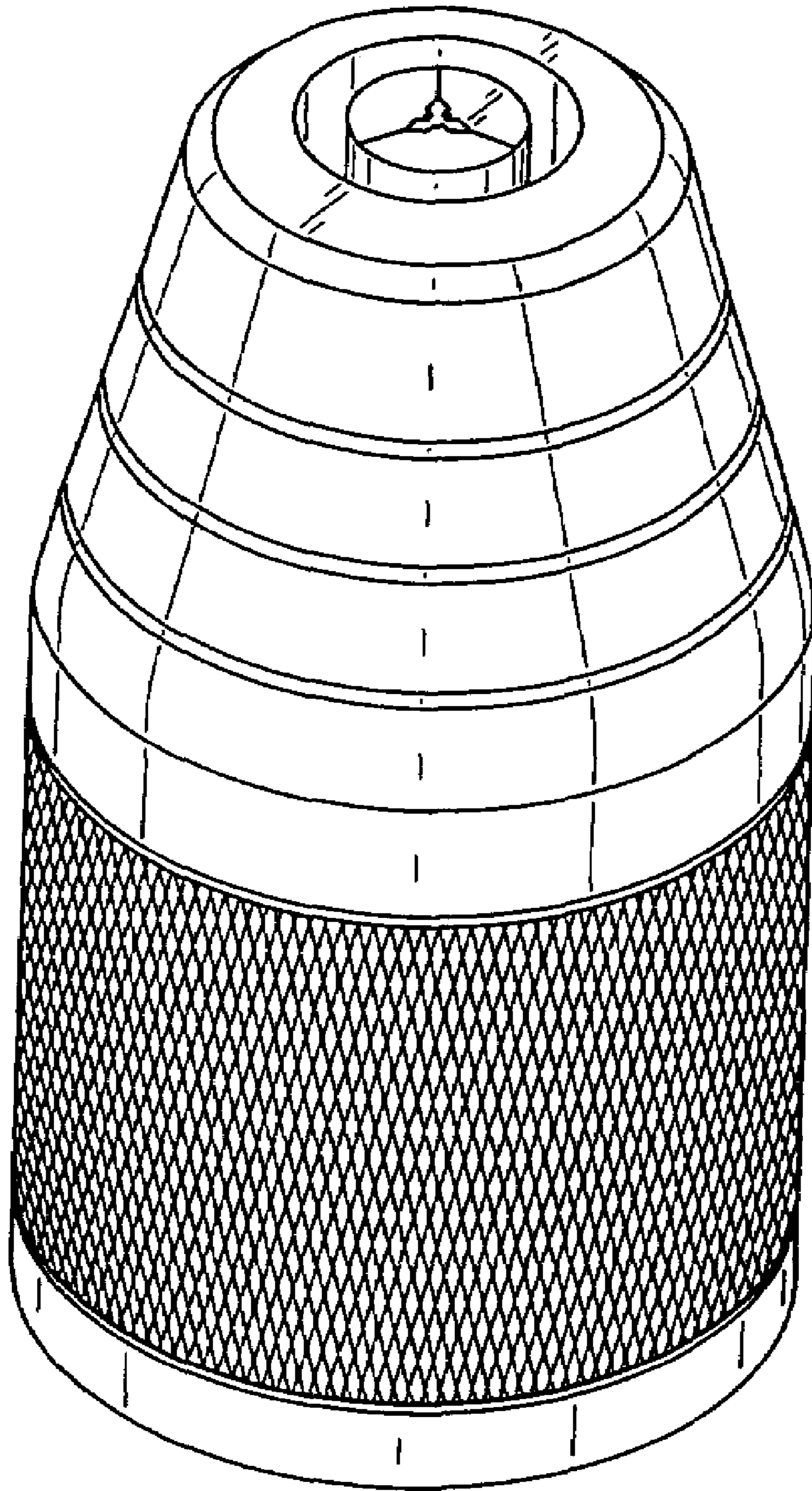


FIG. 1

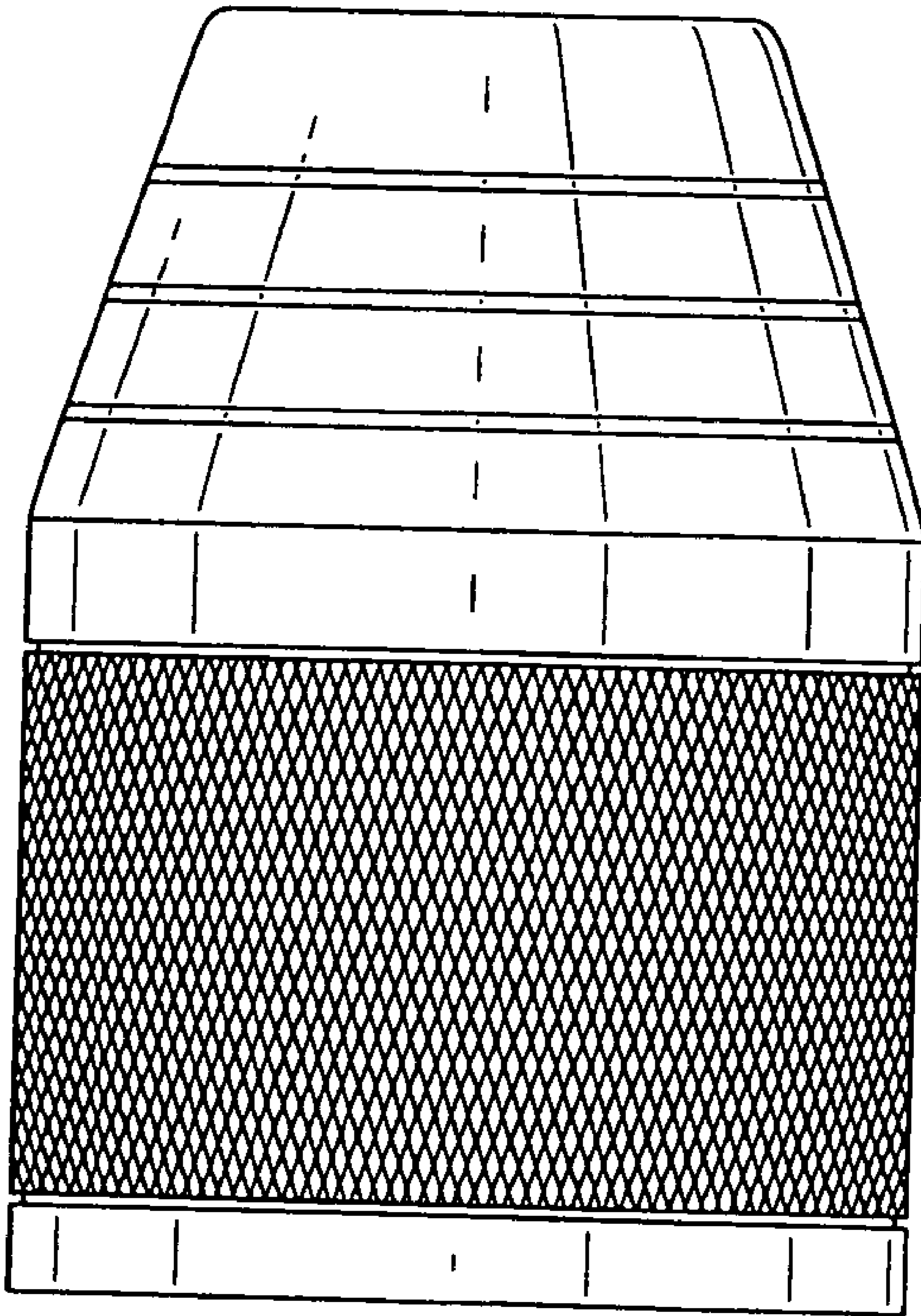


FIG. 2

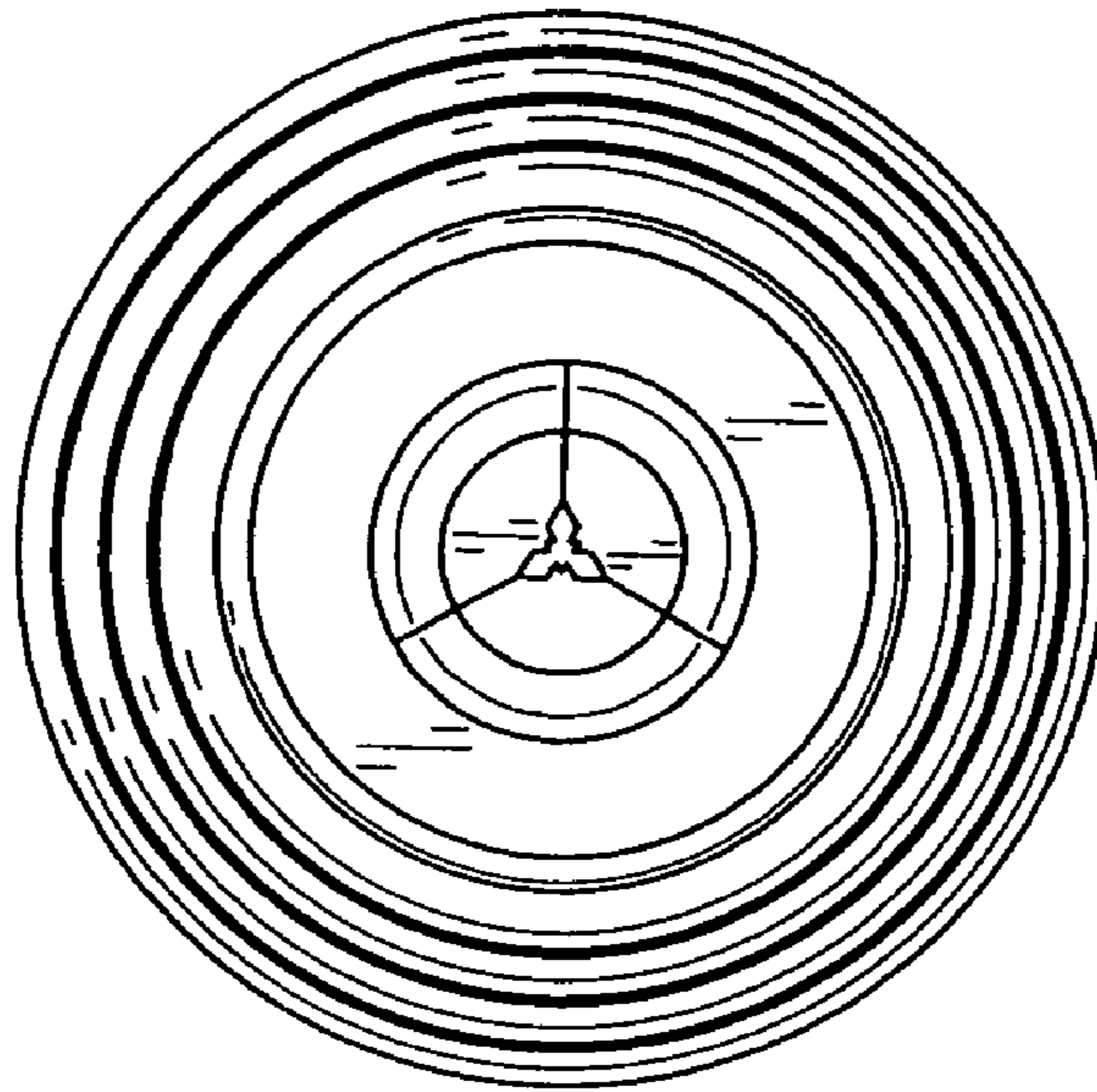


FIG. 3

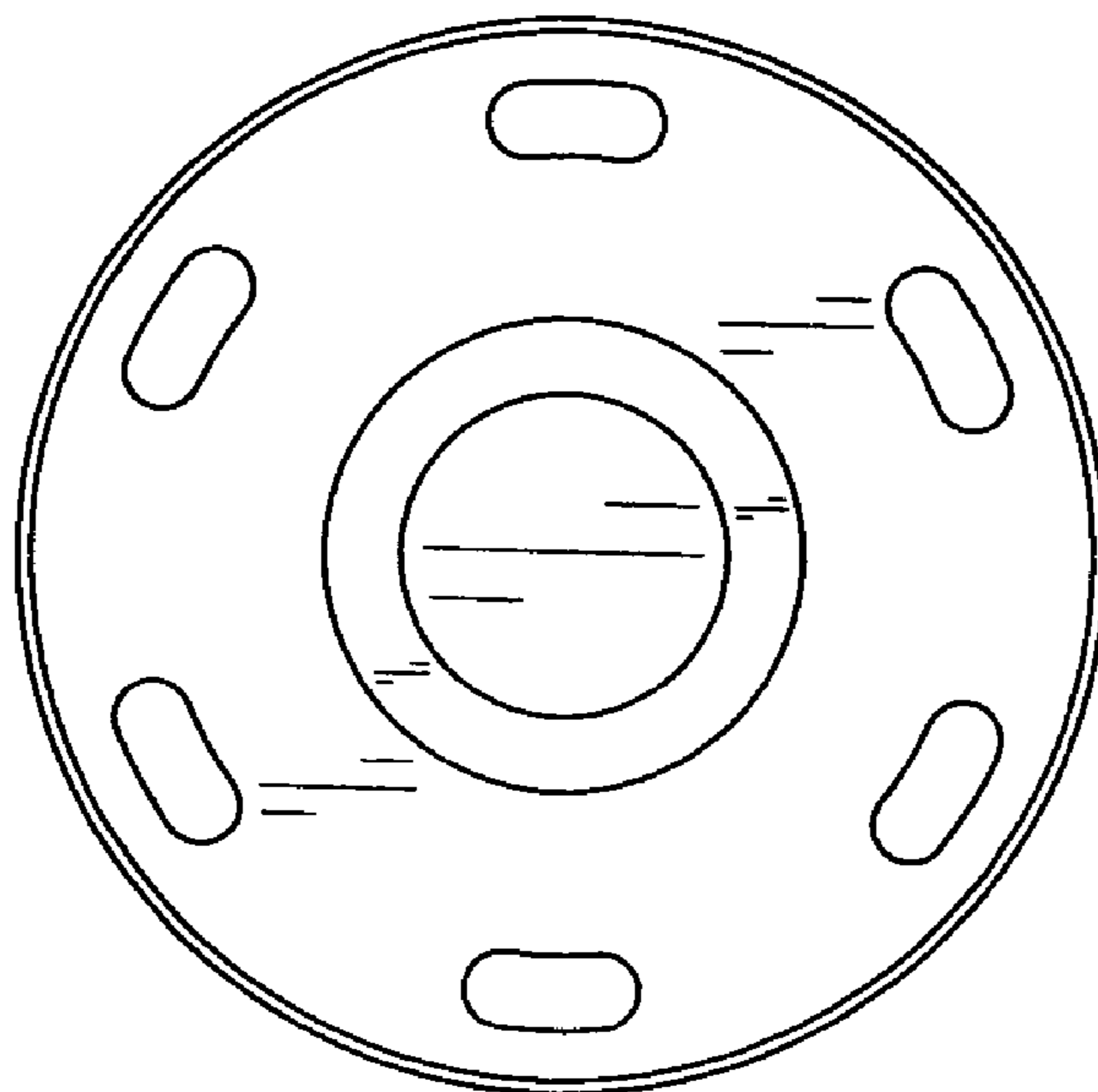


FIG. 4

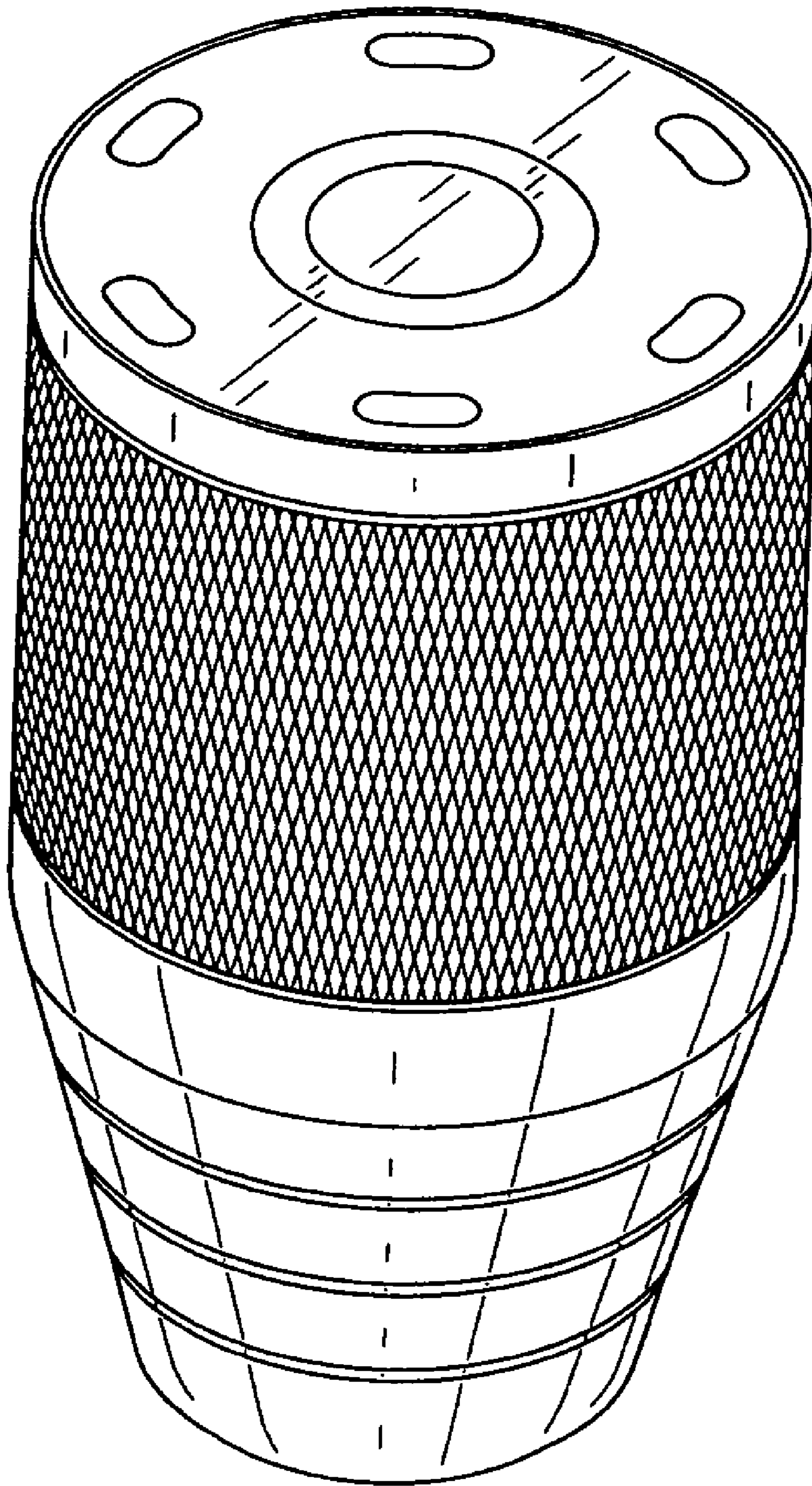


FIG. 5