

US00D569207S

(12) **United States Design Patent**
Torigai et al.

(10) **Patent No.:** **US D569,207 S**
(45) **Date of Patent:** **** May 20, 2008**

(54) **BOLT AND NUT TIGHTENING DEVICE**

(75) Inventors: **Yukio Torigai**, Sakai (JP); **Toshihiko Kushida**, Osaka (JP); **Katsuhiko Fujimoto**, Katano (JP)

(73) Assignee: **Maeda Metal Industries, Ltd.**, Osaka-shi (JP)

(**) Term: **14 Years**

(21) Appl. No.: **29/260,484**

(22) Filed: **May 26, 2006**

(30) **Foreign Application Priority Data**

Dec. 2, 2005 (JP) 2005-035609

(51) **LOC (8) Cl.** **08-05**

(52) **U.S. Cl.** **D8/69**

(58) **Field of Classification Search** D8/14.1, D8/61-70; 81/57.11, 429, 454-456, 469, 81/489, 55, 56; 173/13, 104, 114, 168-171, 173/178, 201, 211, 213, 217; 408/20, 124, 408/125, 234, 241 R; 451/358; 310/50; 227/8, 113, 114, 120, 130, 136, 142
See application file for complete search history.

(56) **References Cited**

U.S. PATENT DOCUMENTS

4,365,962 A * 12/1982 Regelsberger 173/104

(Continued)

FOREIGN PATENT DOCUMENTS

GB 3001470 S * 2/2002

Primary Examiner—T. Chase Nelson
(74) *Attorney, Agent, or Firm*—Kratz, Quintos & Hanson, LLP

(57) **CLAIM**

The ornamental design for a bolt and nut tightening device, substantially as shown and described.

DESCRIPTION

FIG. 1 is a front elevational view of a bolt and nut tightening device of the present design;

FIG. 2 is a rear elevational view thereof;

FIG. 3 is a left side view thereof;

FIG. 4 is a right side view thereof;

FIG. 5 is a top plan view thereof;

FIG. 6 is a bottom plan view thereof;

FIG. 7 is a cross sectional view taken along line 7—7 of FIG. 1.

FIG. 8 is a cross sectional view taken along line 8—8 of FIG. 1.

FIG. 9 is a first perspective view of the bolt and nut tightening device of the present design, as seen from diagonally left upward of a socket side;

FIG. 10 is a second perspective view thereof, as seen from diagonally right upward of the socket side;

FIG. 11 is a third perspective view thereof, as seen from diagonally left downward of the socket side;

FIG. 12 is a fourth perspective view thereof, as seen from diagonally right downward of the socket side;

FIG. 13 is a fifth perspective view thereof, as seen from diagonally left upward of a handle side;

FIG. 14 is a sixth perspective view thereof, as seen from diagonally right upward of the handle side;

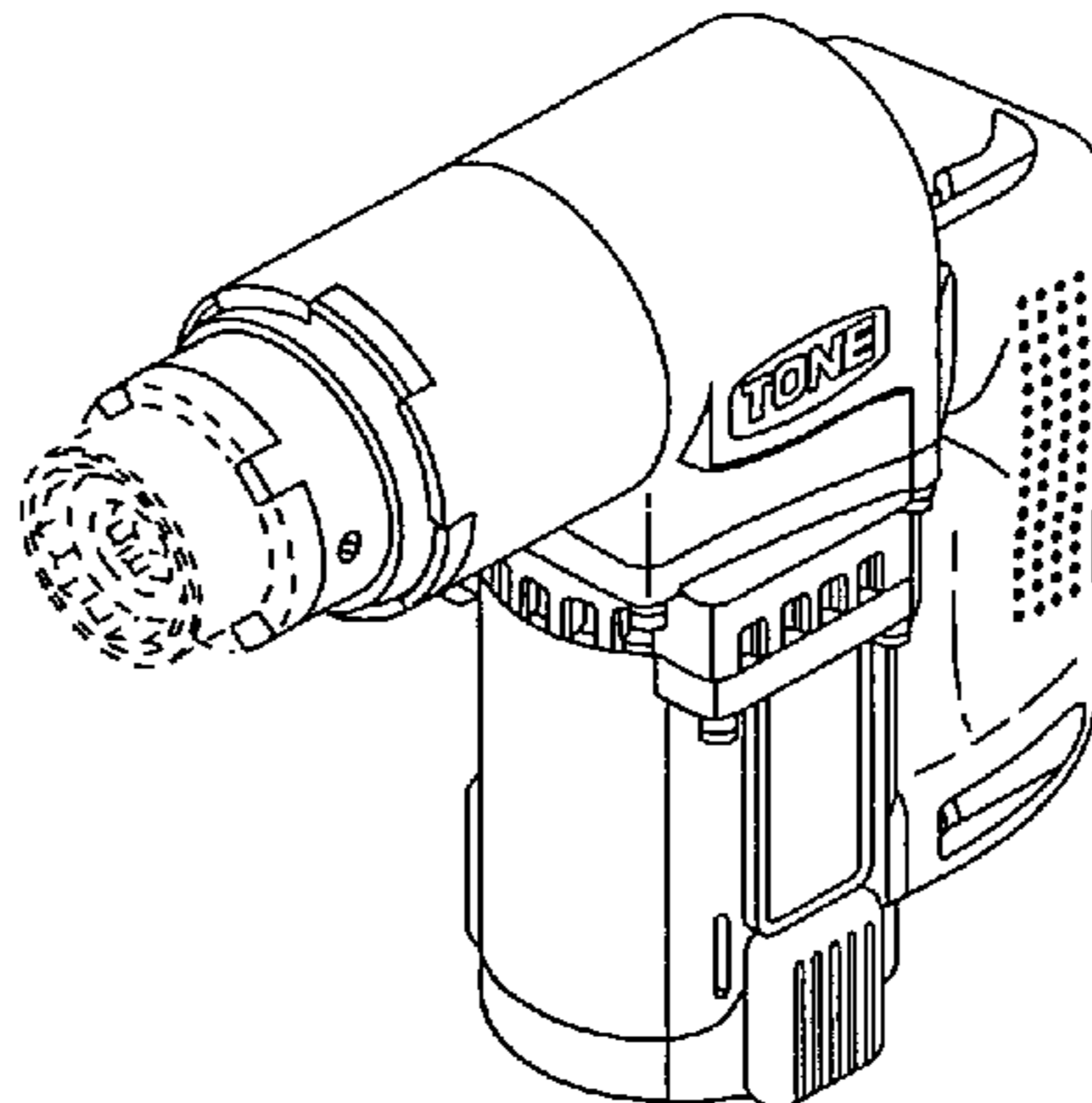
FIG. 15 is a seventh perspective view thereof, as seen from diagonally left downward of the handle side; and,

FIG. 16 is an eighth perspective view thereof, as seen from diagonally right downward of the handle side.

The broken lines are shown in the views for illustrative purposes only and form no part of the claimed invention.

The name TONE displayed on the bolt and nut tightening device is a trademark owned by Maeda Metal Industries, Ltd.

1 Claim, 7 Drawing Sheets



US D569,207 S

Page 2

U.S. PATENT DOCUMENTS

4,378,053	A *	3/1983	Simpson	173/13	5,953,965	A *	9/1999	Kaneyama et al.	81/469
4,403,529	A *	9/1983	Ikeda et al.	81/56	6,053,080	A *	4/2000	Kaneyama et al.	81/469
4,467,676	A *	8/1984	Ikeda et al.	81/56	6,376,942	B1 *	4/2002	Burger et al.	310/50
4,567,951	A *	2/1986	Fehrle et al.	173/201	D509,120	S *	9/2005	Okuda et al.	D8/69
4,998,588	A *	3/1991	Manschitz	173/104	D528,393	S *	9/2006	Stirm	D8/69
D341,533	S *	11/1993	Karafuji et al.	D8/69	2004/0211575	A1 *	10/2004	Soika et al.	173/217
5,296,768	A *	3/1994	Burger et al.	310/50	2005/0087353	A1 *	4/2005	Oki et al.	173/170
D360,568	S *	7/1995	Fukuhara et al.	D8/69	2006/0060365	A1 *	3/2006	Kunz	173/217
5,582,079	A *	12/1996	Matsumura et al.	81/56						

* cited by examiner

FIG. 1

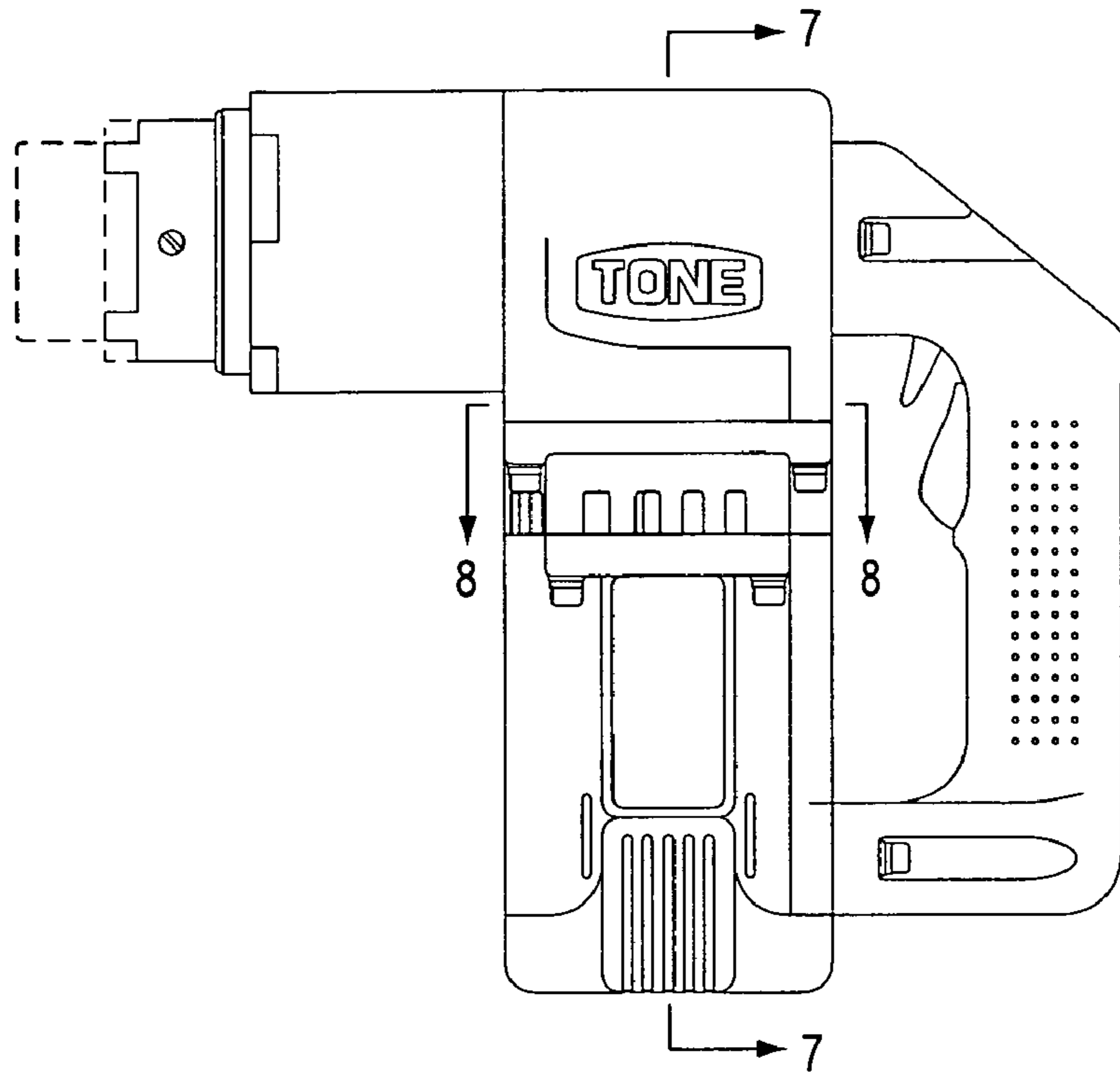


FIG. 2

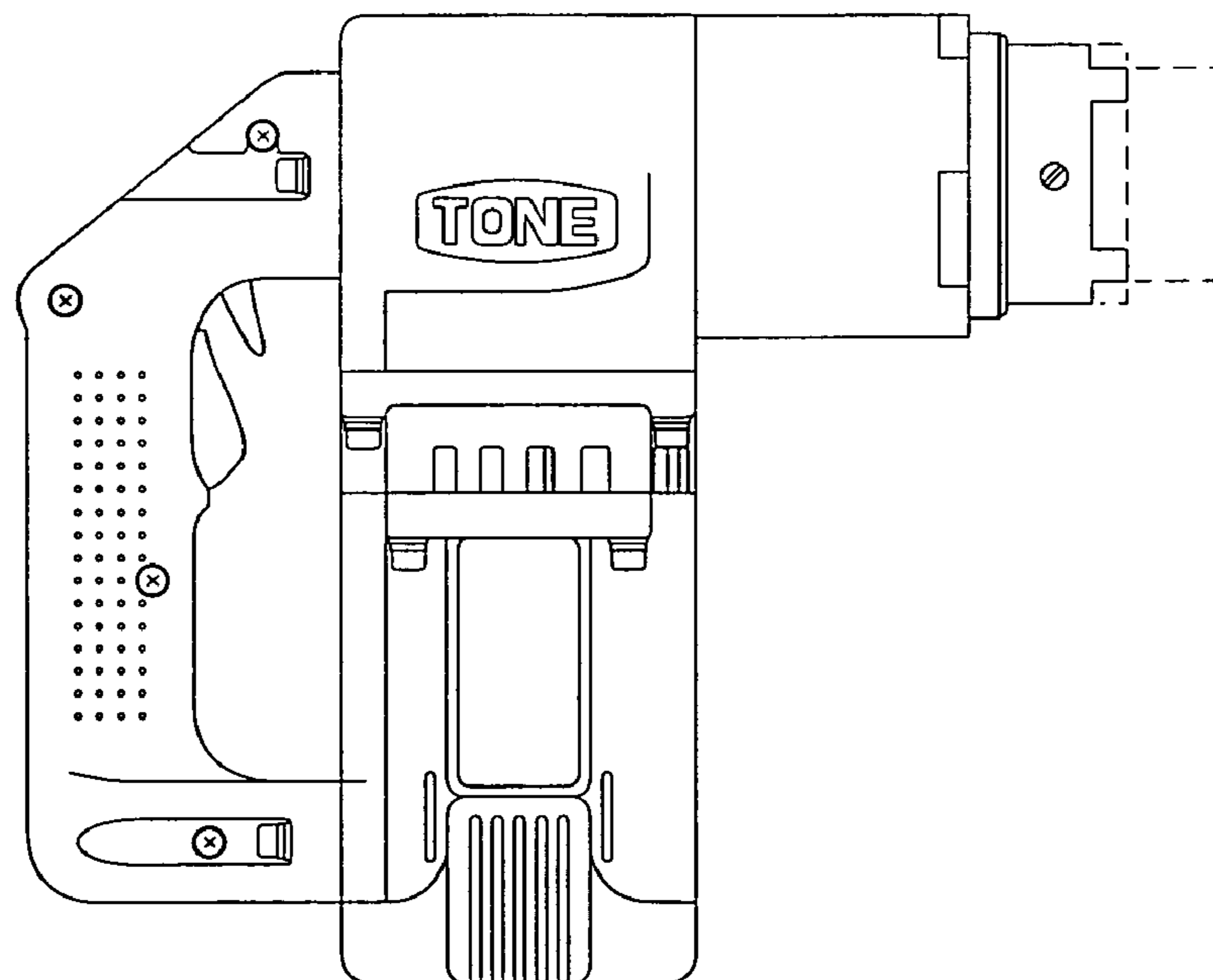


FIG.3

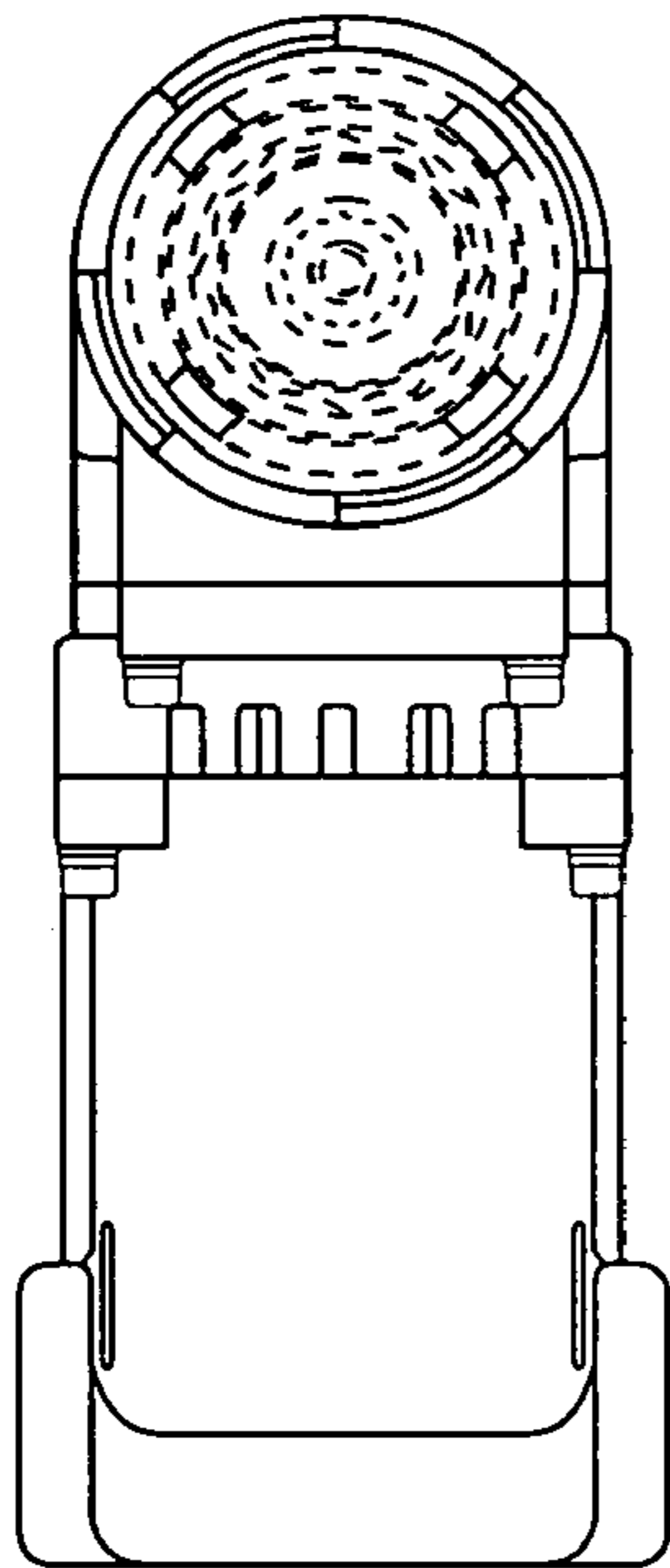
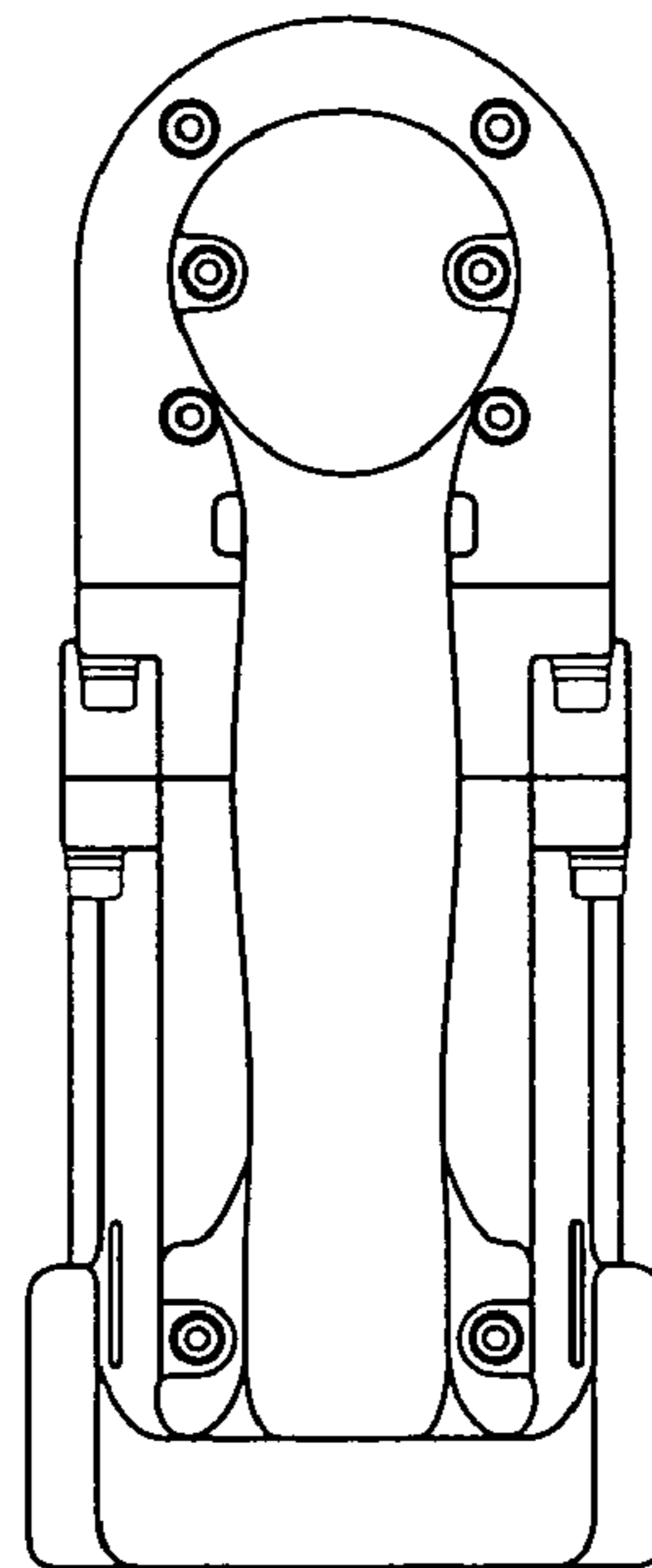


FIG.4



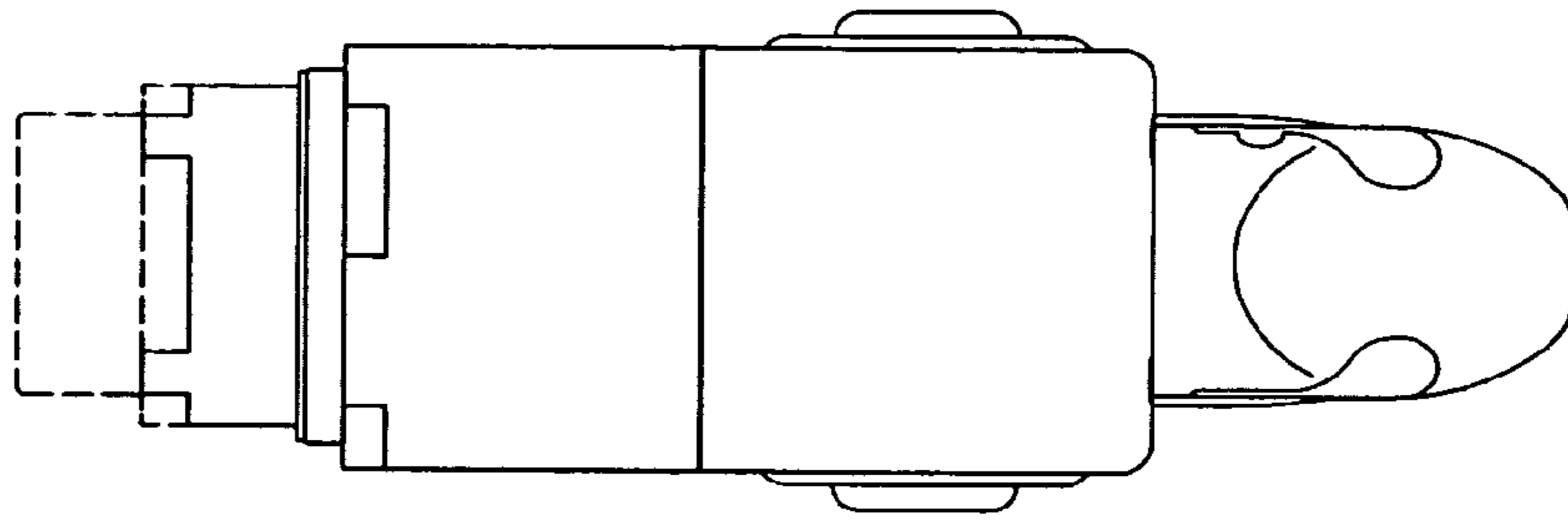


FIG. 6

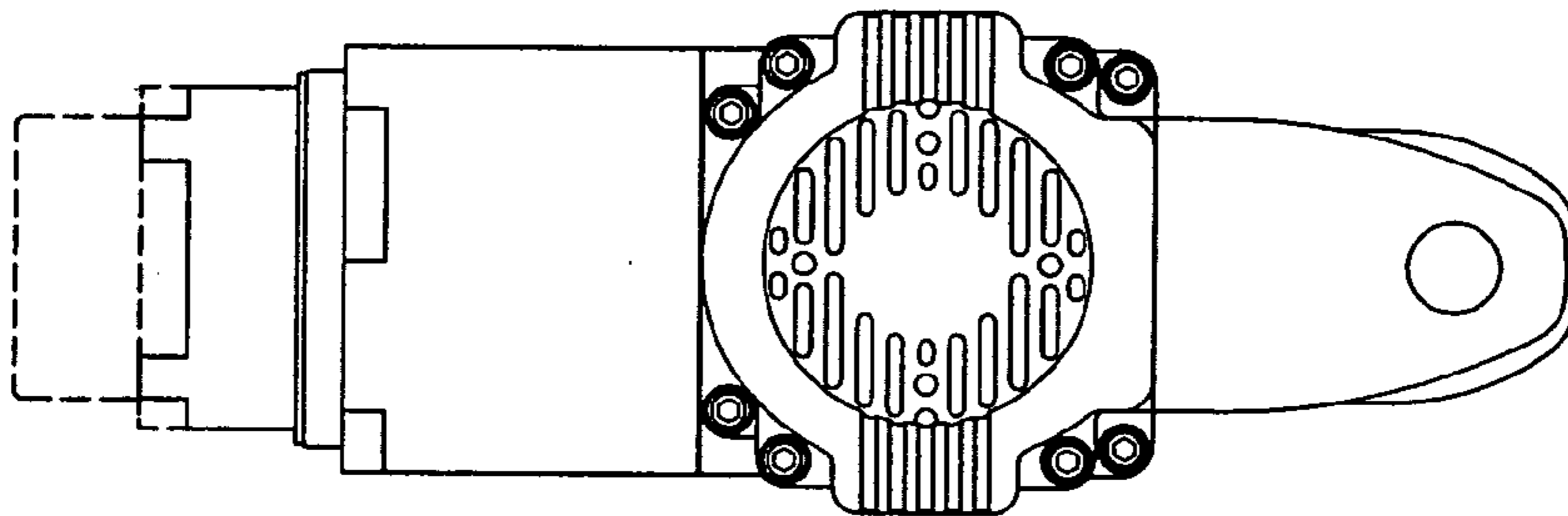


FIG. 7

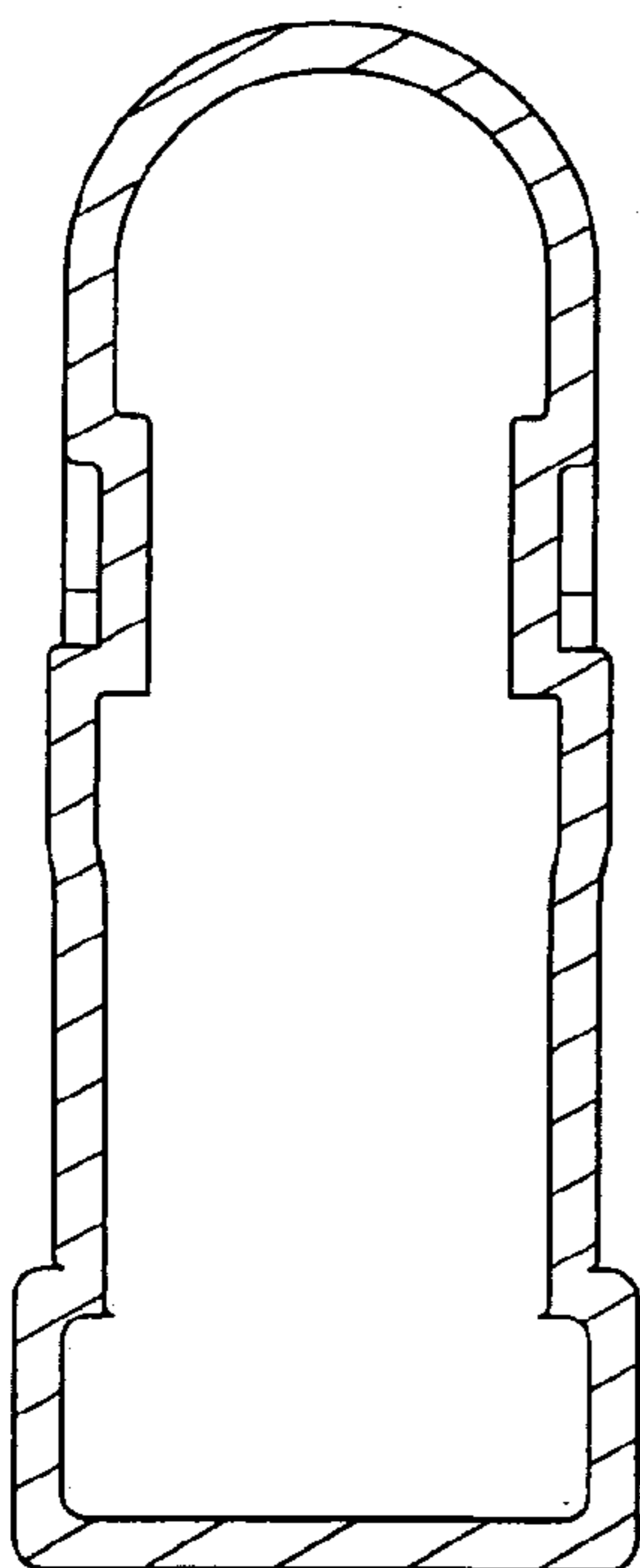


FIG. 8

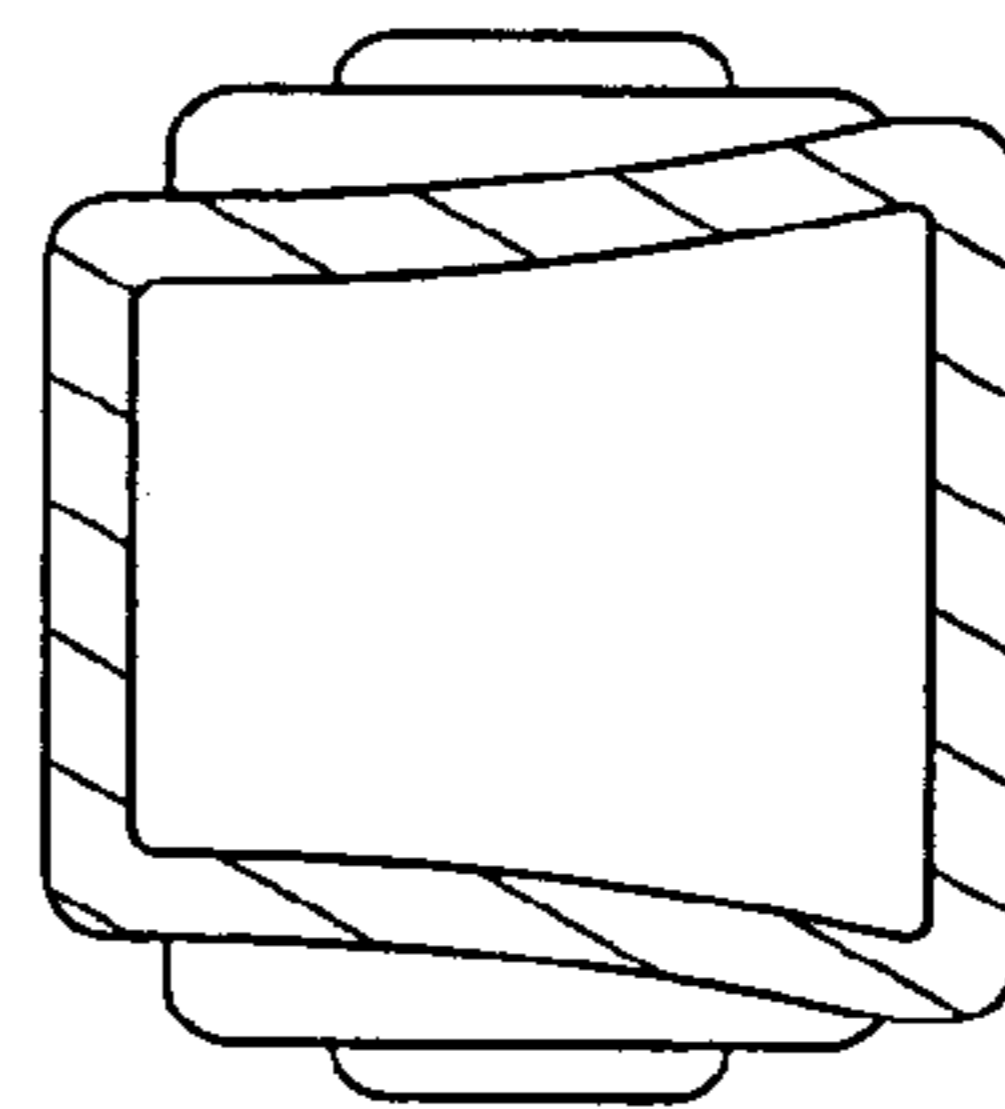


FIG.9

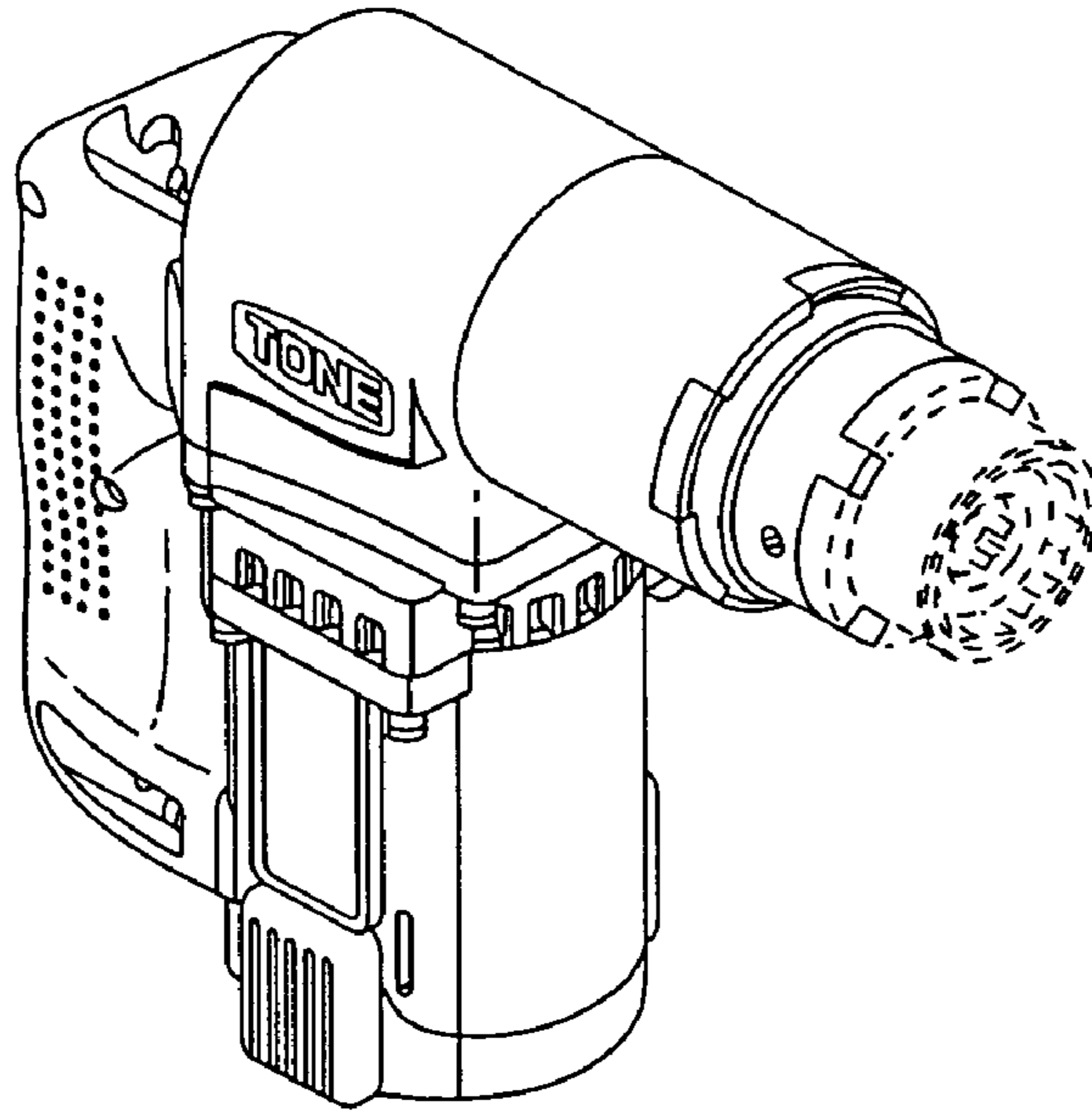


FIG.10

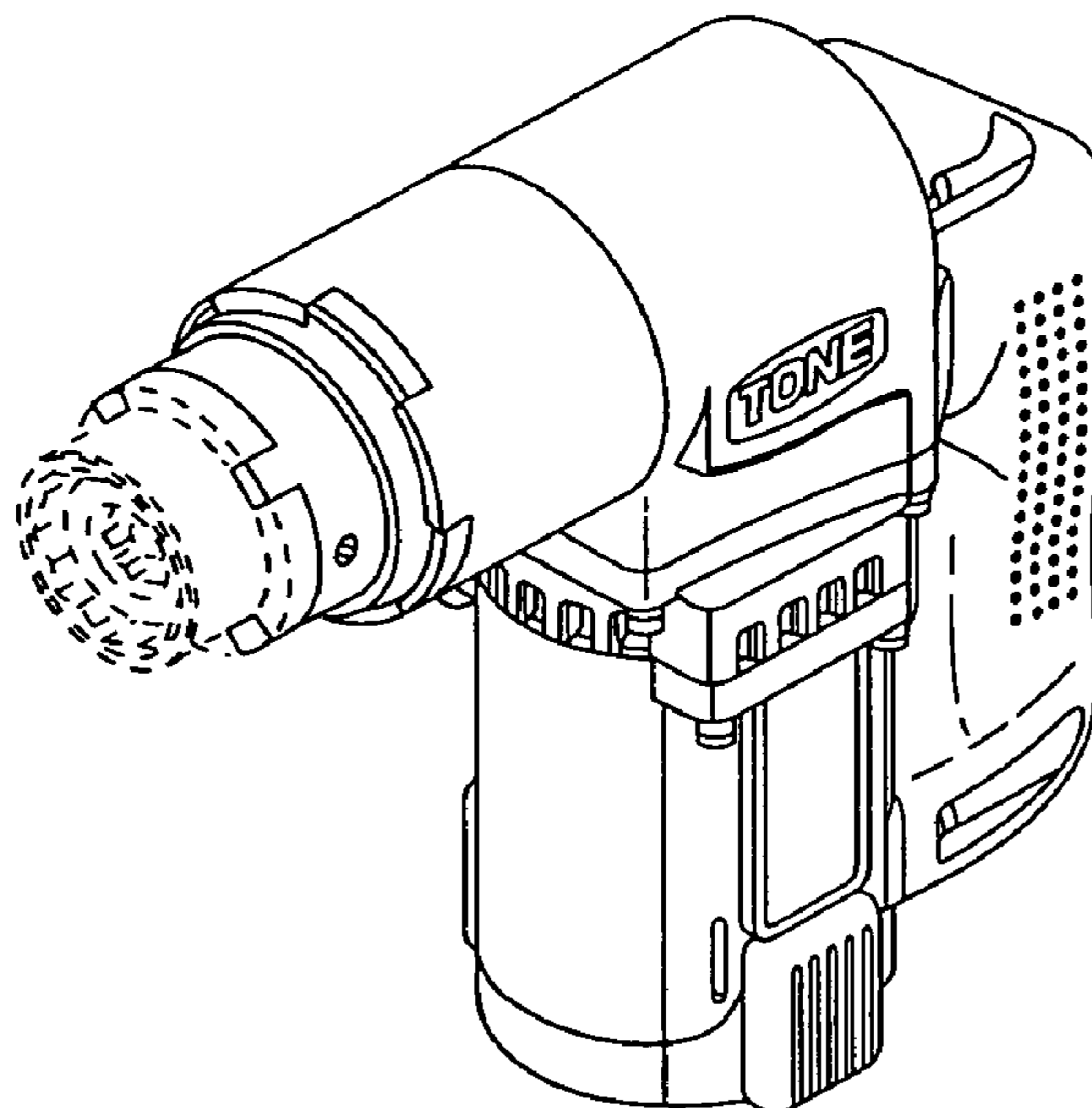


FIG.11

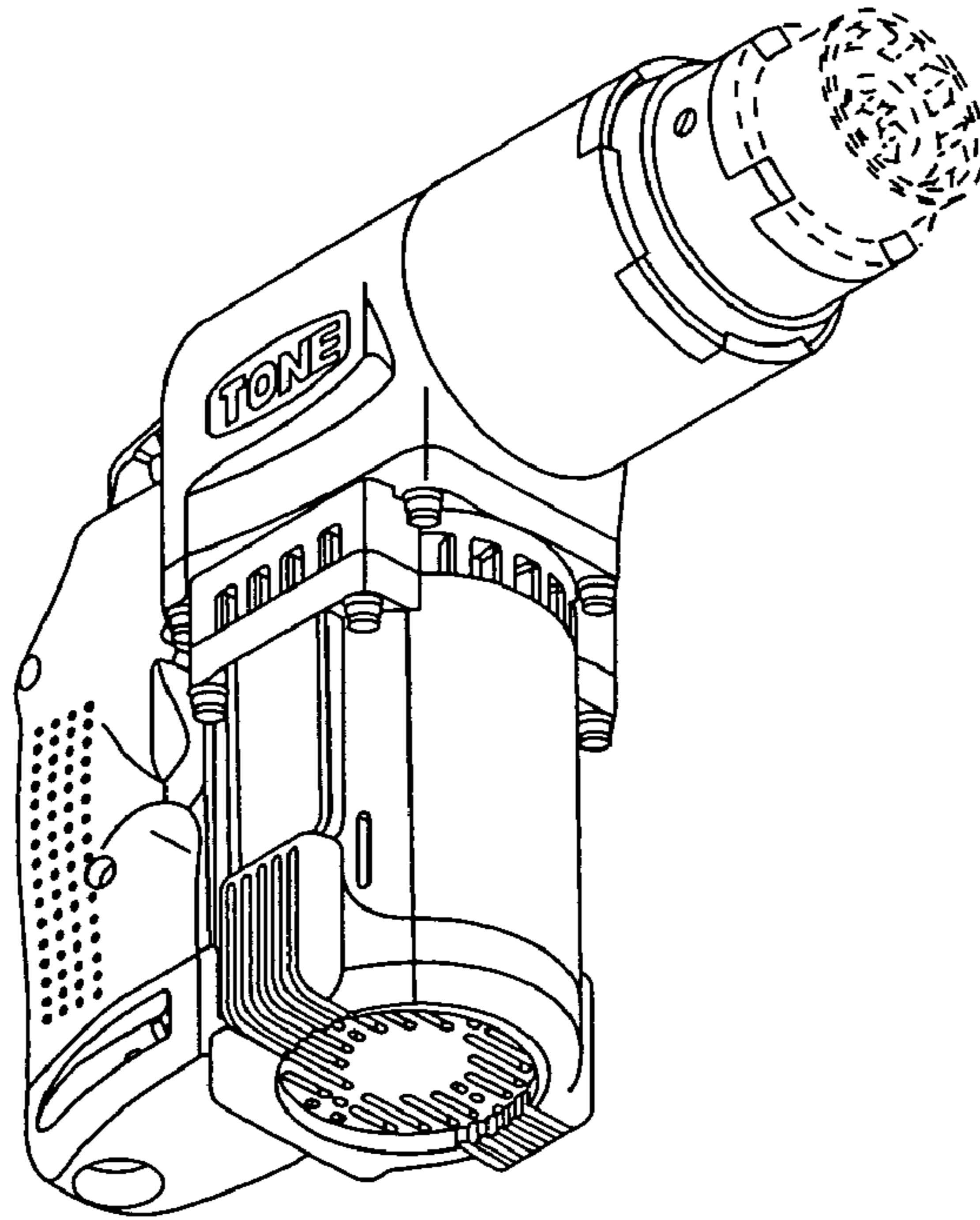


FIG.12

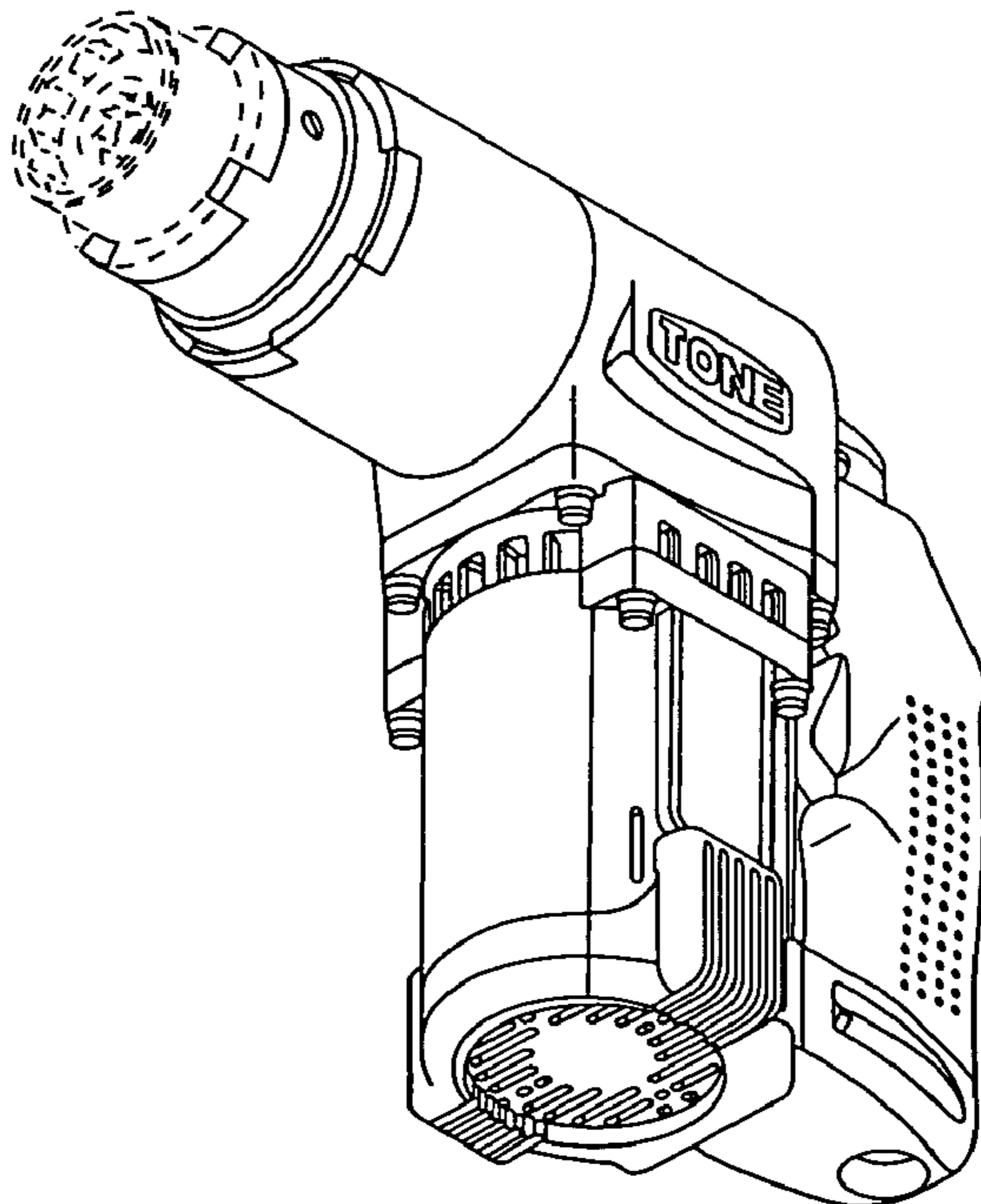


FIG. 13

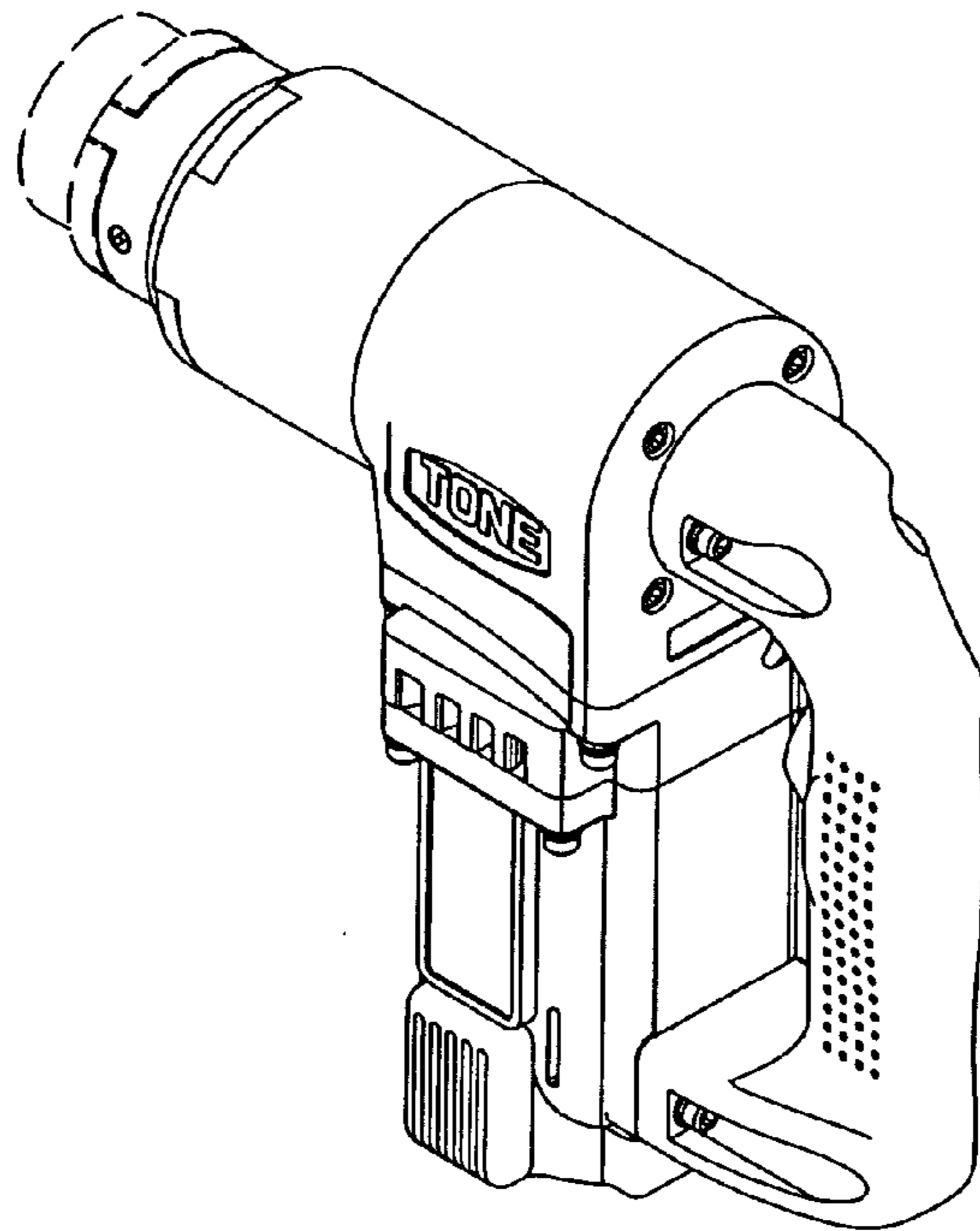


FIG. 14

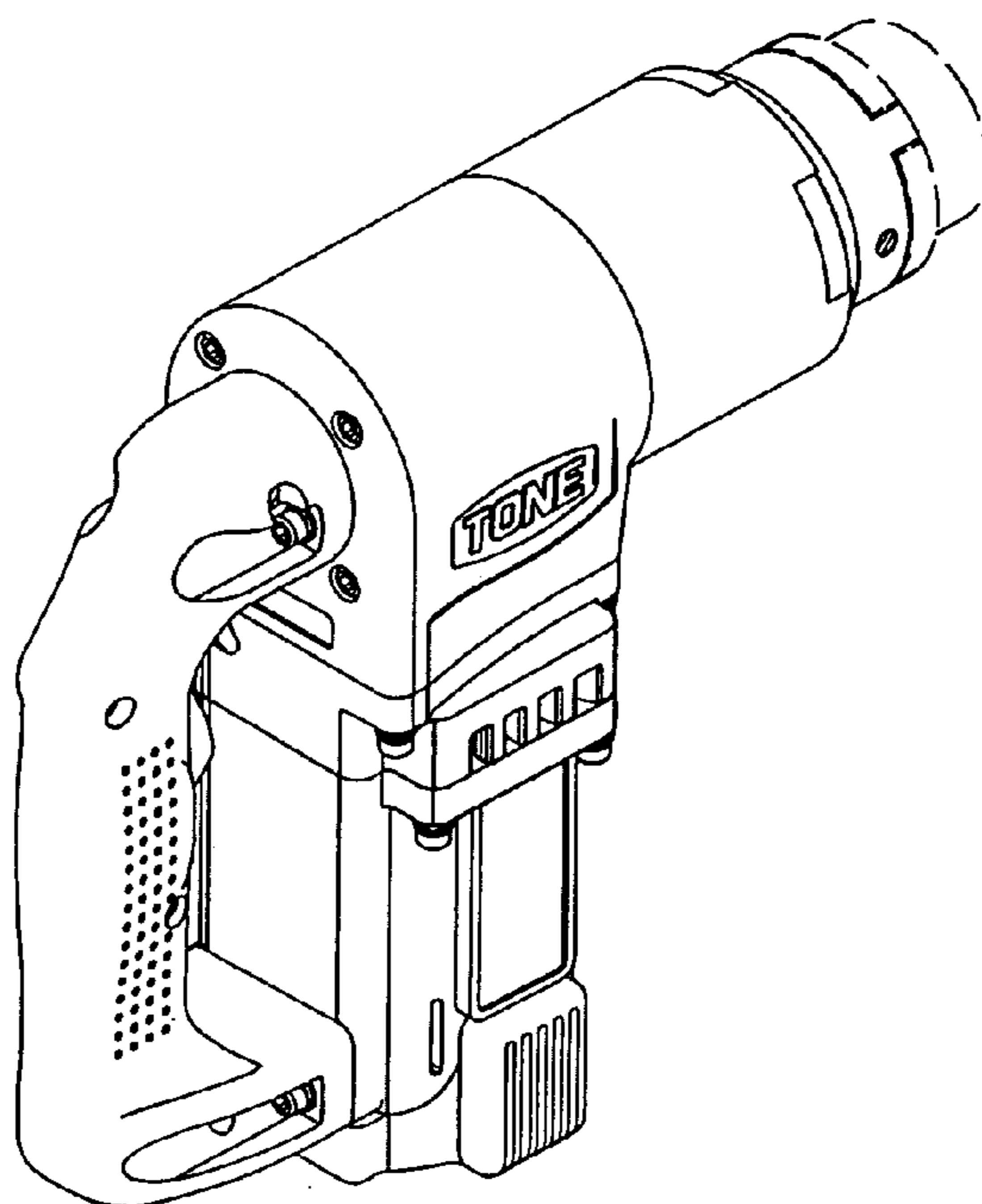


FIG. 15

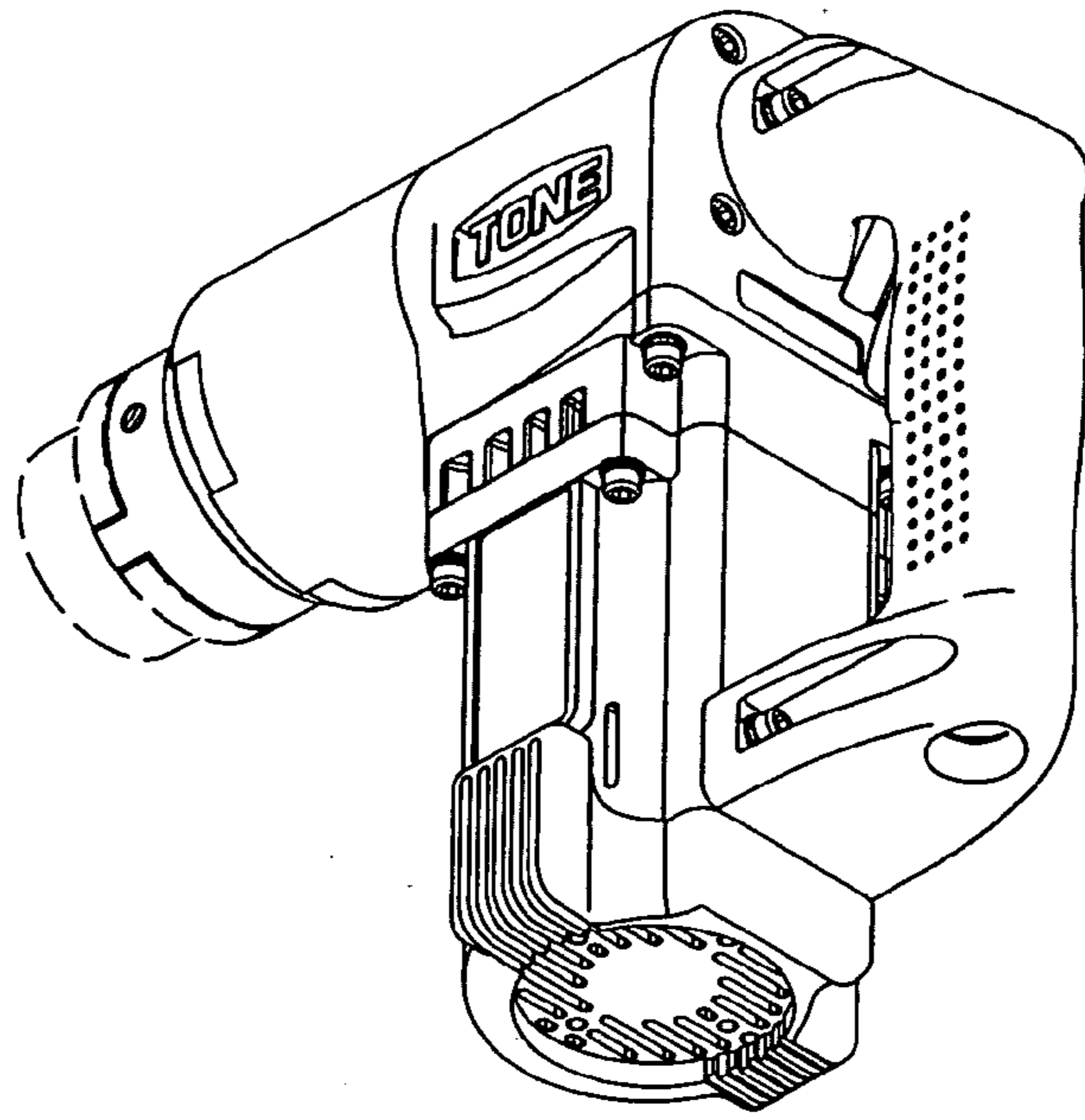


FIG. 16

