



US00D569206S

(12) **United States Design Patent**
Takahagi et al.

(10) **Patent No.:** **US D569,206 S**

(45) **Date of Patent:** **** May 20, 2008**

(54) **PORTABLE ELECTRIC DRIVER**

(75) Inventors: **Koji Takahagi**, Anjo (JP); **Shingo Misaki**, Anjo (JP)

(73) Assignee: **Makita Corporation**, Anjo-shi (JP)

(**) Term: **14 Years**

(21) Appl. No.: **29/292,863**

(22) Filed: **Oct. 31, 2007**

(30) **Foreign Application Priority Data**

Jan. 23, 2007 (JP) 2007-012083

(51) **LOC (8) Cl.** **08-04**

(52) **U.S. Cl.** **D8/61**

(58) **Field of Classification Search** D8/61,
D8/62, 68, 83, 70, 107, 80; 81/57.11, 57.13,
81/57.14, 57.26, 57.29, 57.39, 57.42, 63.1,
81/429, 464, 467, 469, 470, 473; 173/168,
173/169, 170, 176, 177, 178, 181, 216, 217;
73/862.21; 310/50

See application file for complete search history.

(56) **References Cited**

U.S. PATENT DOCUMENTS

D323,961 S * 2/1992 Fushiya et al. D8/61
D335,808 S * 5/1993 Bruno et al. D8/61
D352,645 S * 11/1994 Ichikawa D8/61

D414,093 S * 9/1999 Zurwelle D8/61
D444,363 S * 7/2001 Hayakawa et al. D8/61
D447,029 S * 8/2001 Sun et al. D8/61
D502,071 S * 2/2005 Snider D8/61
6,929,074 B1 * 8/2005 Lai 173/178
6,968,908 B2 * 11/2005 Tokunaga et al. 173/181
D527,592 S 9/2006 Hayakawa et al.
D529,353 S 10/2006 Wong et al.

* cited by examiner

Primary Examiner—Cathron C. Brooks

Assistant Examiner—Austin Murphy

(74) *Attorney, Agent, or Firm*—Oliff & Berridge, PLC

(57) **CLAIM**

The ornamental design for a portable electric driver, as shown and described.

DESCRIPTION

FIG. 1 is a perspective view of top, front and left side of a portable electric driver showing our new design;

FIG. 2 is a front view thereof;

FIG. 3 is a rear view thereof;

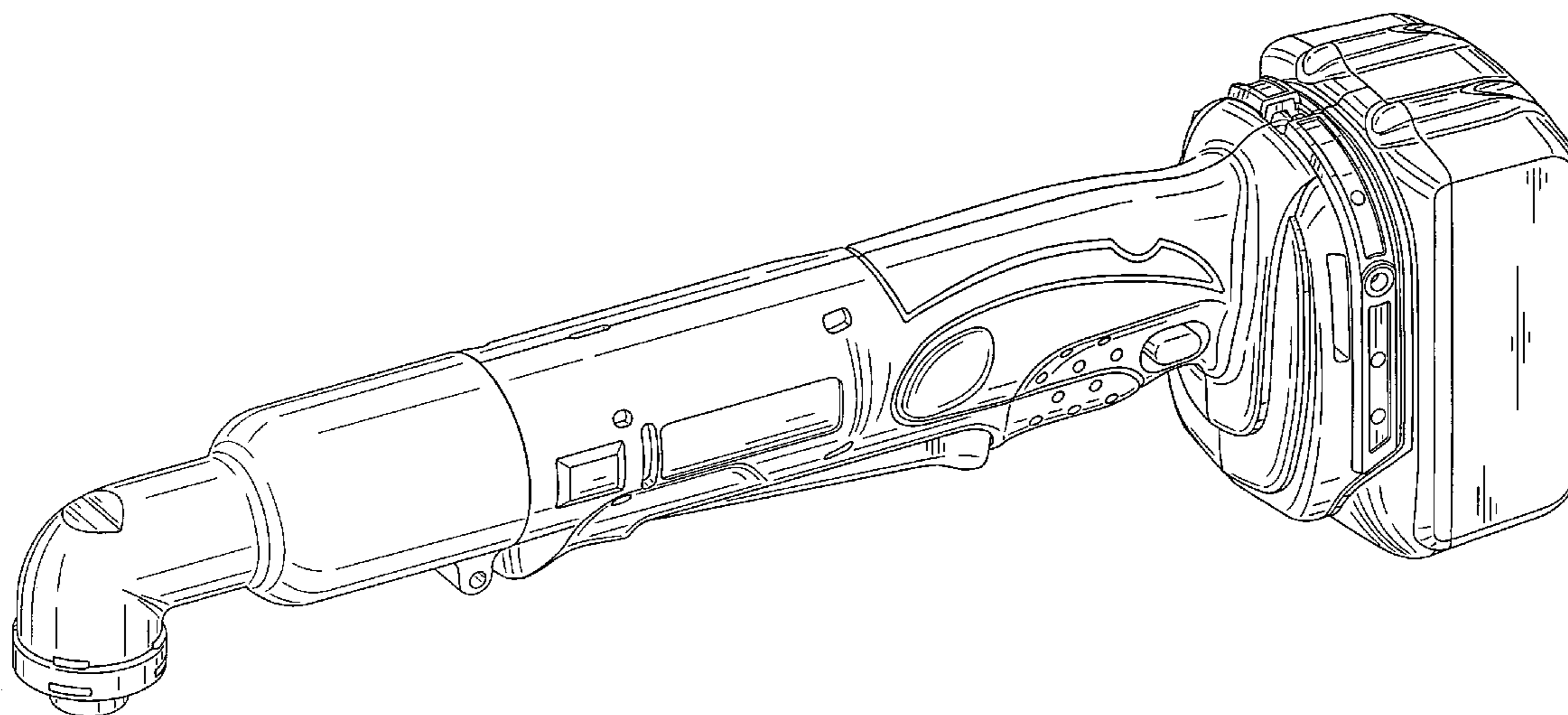
FIG. 4 is a top plan view thereof;

FIG. 5 is a bottom view thereof;

FIG. 6 is a left side view thereof; and,

FIG. 7 is a right side view thereof.

1 Claim, 5 Drawing Sheets



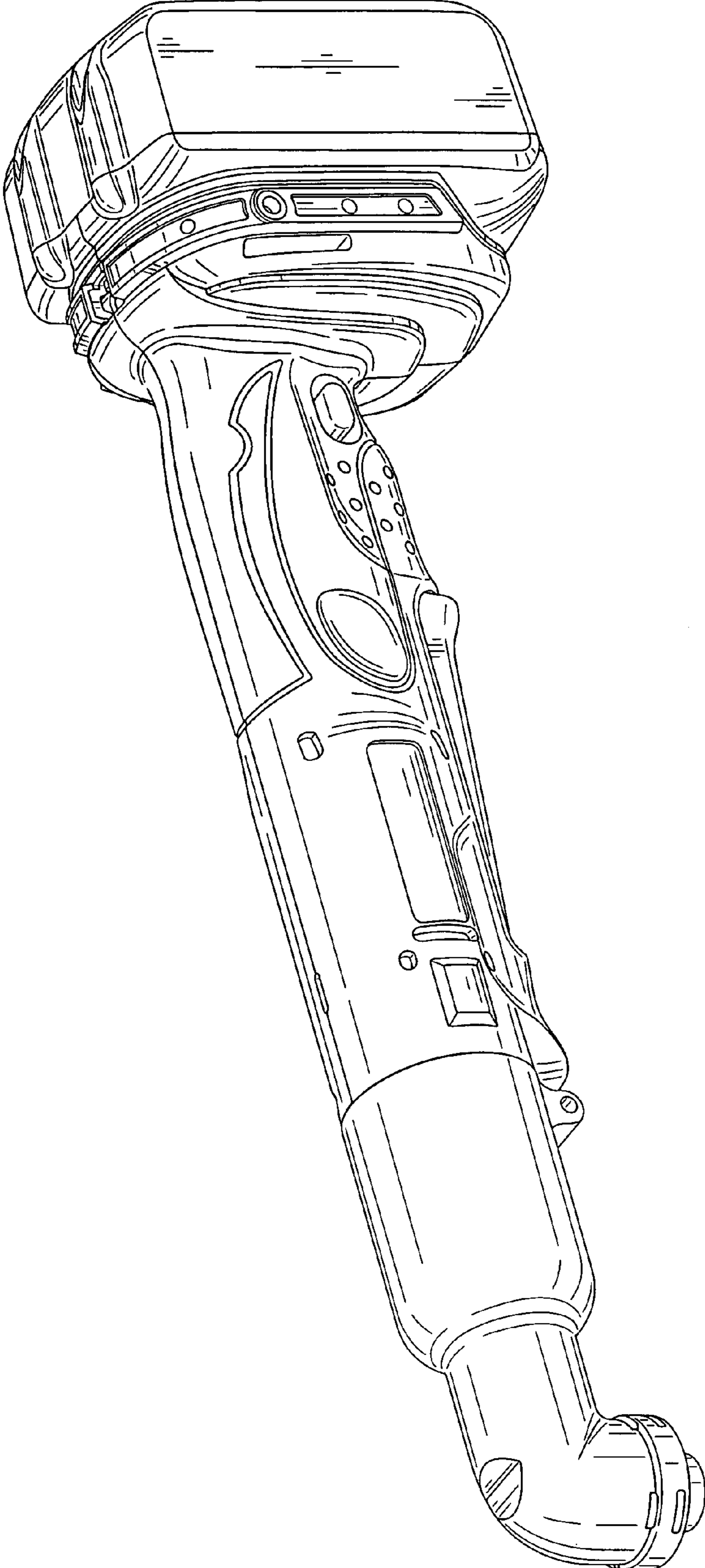


FIG. 1

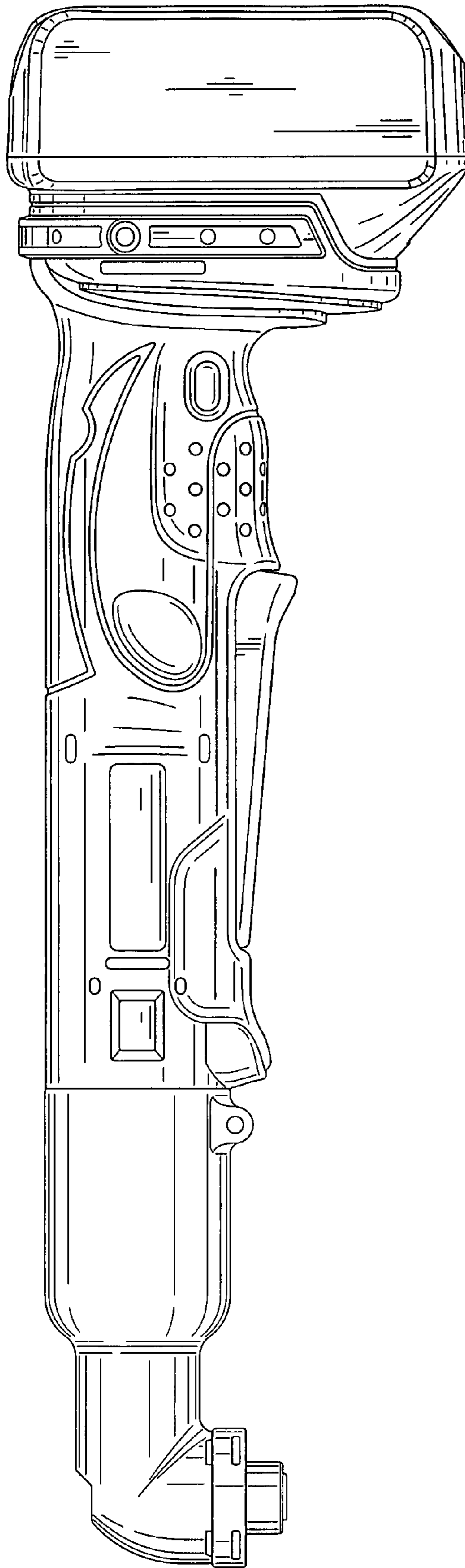


FIG. 2

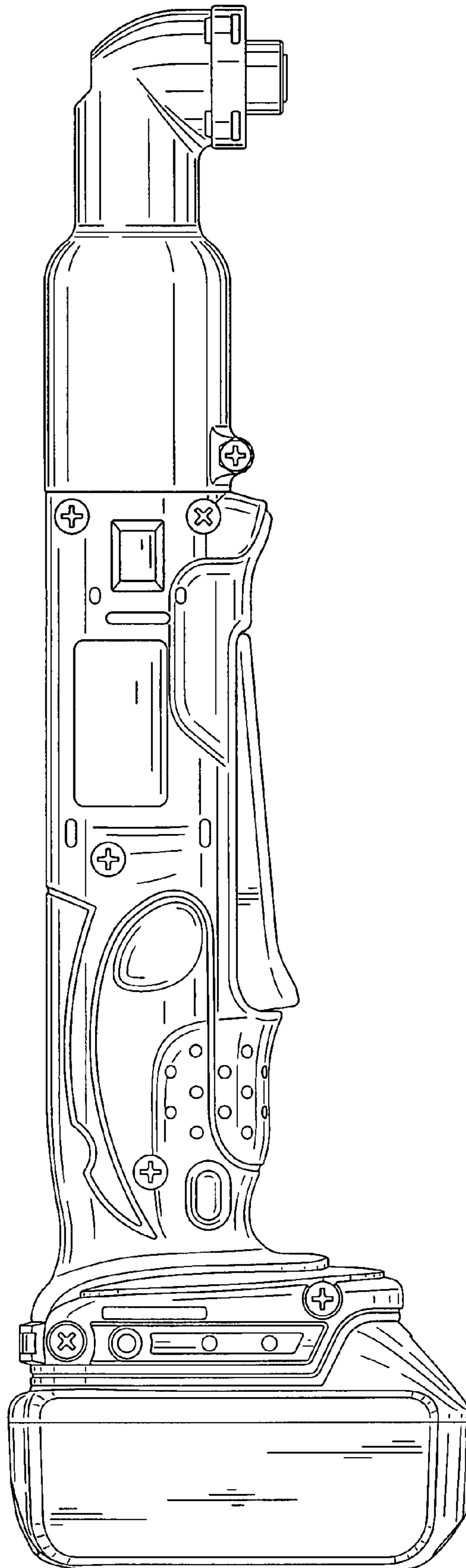


FIG. 3

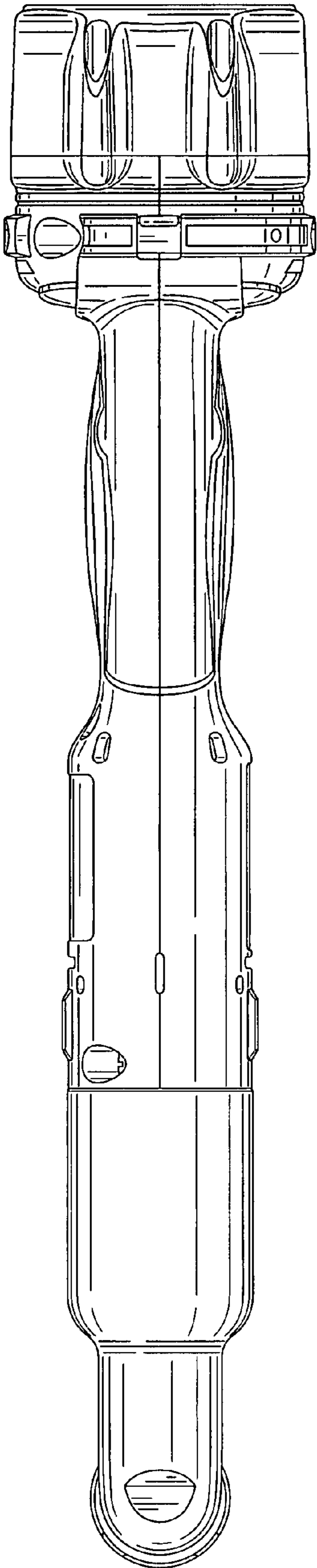


FIG. 4

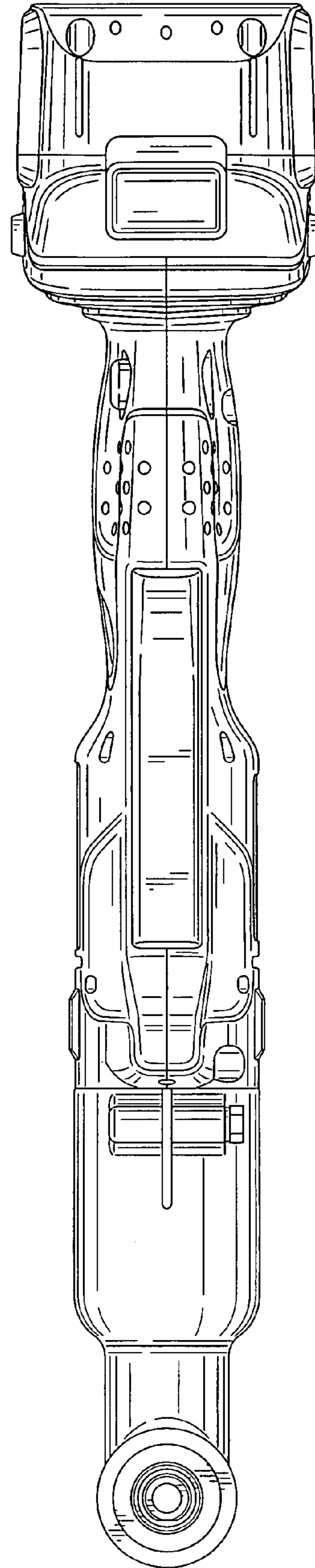


FIG. 5

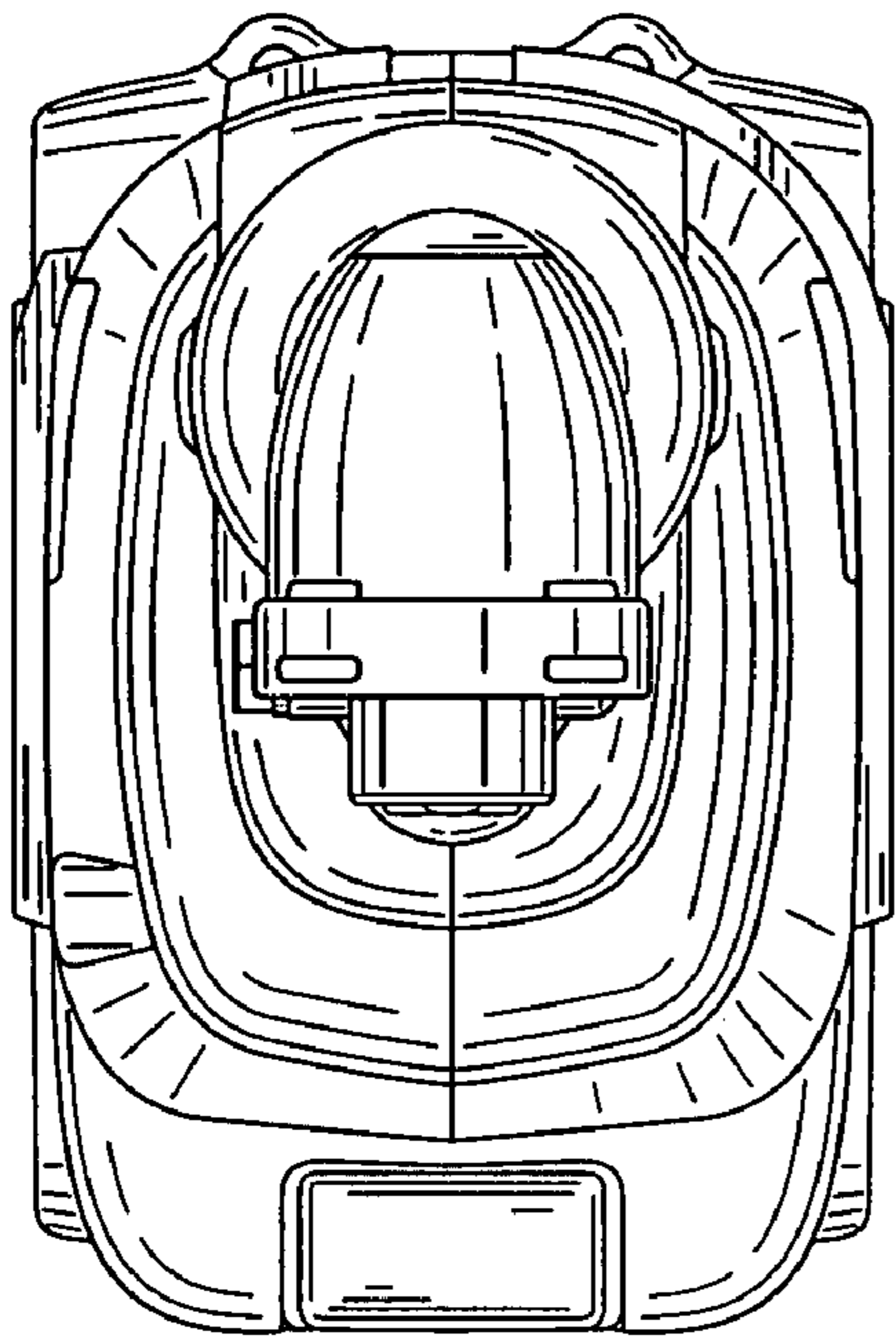


FIG. 6

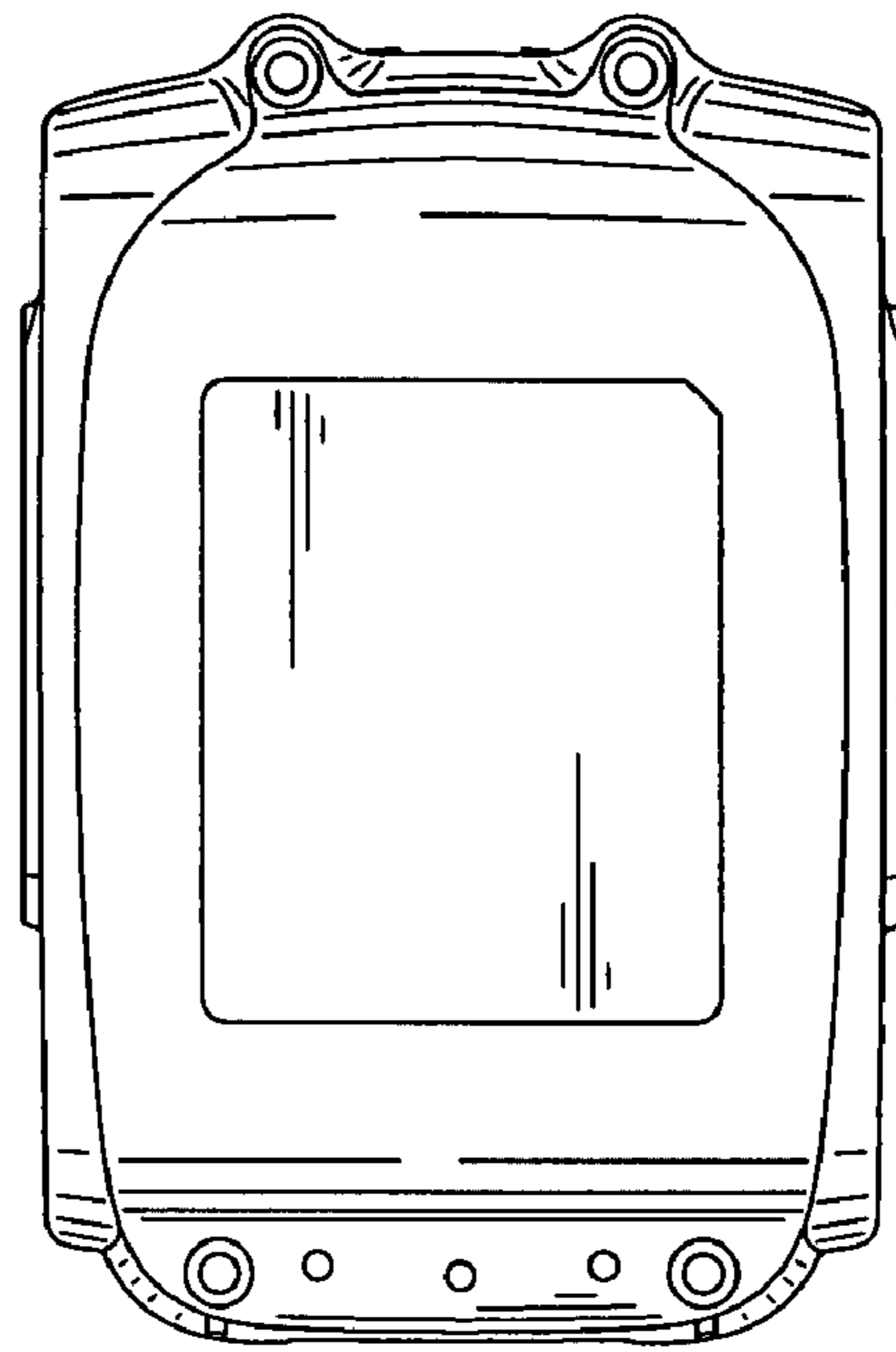


FIG. 7