



US00D569205S

(12) **United States Design Patent**
Lai

(10) **Patent No.:** **US D569,205 S**

(45) **Date of Patent:** **** May 20, 2008**

(54) **PNEUMATIC TOOL**

(75) Inventor: **Jeng Wei Lai**, Taichung (TW)

(73) Assignee: **Basso Industry Corp.**, Taichung (TW)

(**) Term: **14 Years**

(21) Appl. No.: **29/283,866**

(22) Filed: **Aug. 24, 2007**

(51) **LOC (8) Cl.** **08-04**

(52) **U.S. Cl.** **D8/61**

(58) **Field of Classification Search** D8/61,
D8/62, 68, 83, 70, 107, 80; 81/57.11, 57.13,
81/57.14, 57.26, 57.29, 57.39, 57.42, 63.1,
81/429, 464, 467, 469, 470, 473; 173/168,
173/169, 170, 176, 177, 178, 181, 216, 217;
73/862.21; 310/50

See application file for complete search history.

(56) **References Cited**

U.S. PATENT DOCUMENTS

D269,847 S *	7/1983	Izumisawa	D8/62
D332,733 S *	1/1993	Staubitz et al.	D8/61
D347,372 S *	5/1994	Ghode et al.	D8/61
D432,379 S *	10/2000	Sun	D8/70
D444,047 S *	6/2001	Chen	D8/83
D449,212 S *	10/2001	Price et al.	D8/107
D456,683 S *	5/2002	Chen	D8/61
D465,981 S *	11/2002	Bass et al.	D8/62
D468,605 S *	1/2003	Morgan	D8/61
D469,672 S *	2/2003	Bass et al.	D8/61
D470,374 S *	2/2003	Murray	D8/61
6,644,419 B1 *	11/2003	Chen	173/169
D484,016 S *	12/2003	Baker	D8/61
D484,379 S *	12/2003	Chen	D8/61
D490,680 S *	6/2004	Levine et al.	D8/83
D491,032 S *	6/2004	Baker	D8/61

6,751,952 B2 *	6/2004	Chen	60/407
6,932,165 B1 *	8/2005	Sun et al.	173/169
D525,498 S *	7/2006	Chen	D8/61
D525,500 S *	7/2006	Chen	D8/61
D531,472 S *	11/2006	Schiller et al.	D8/61

* cited by examiner

Primary Examiner—Cathron C. Brooks

Assistant Examiner—Austin Murphy

(74) *Attorney, Agent, or Firm*—Egbert Law Offices

(57) **CLAIM**

The ornamental design for a pneumatic tool, as shown and described.

DESCRIPTION

The pneumatic tool is an air-powered device for use in construction. One end attaches to an air hose, and the other end has a hardware attachment for sawing, measuring, drilling, screwing, and nailing, etc.

FIG. 1 is an upper perspective view of the pneumatic tool showing my design.

FIG. 2 is a side view thereof;

FIG. 3 is an opposite side view thereof;

FIG. 4 is a front end view thereof;

FIG. 5 is a back end view thereof;

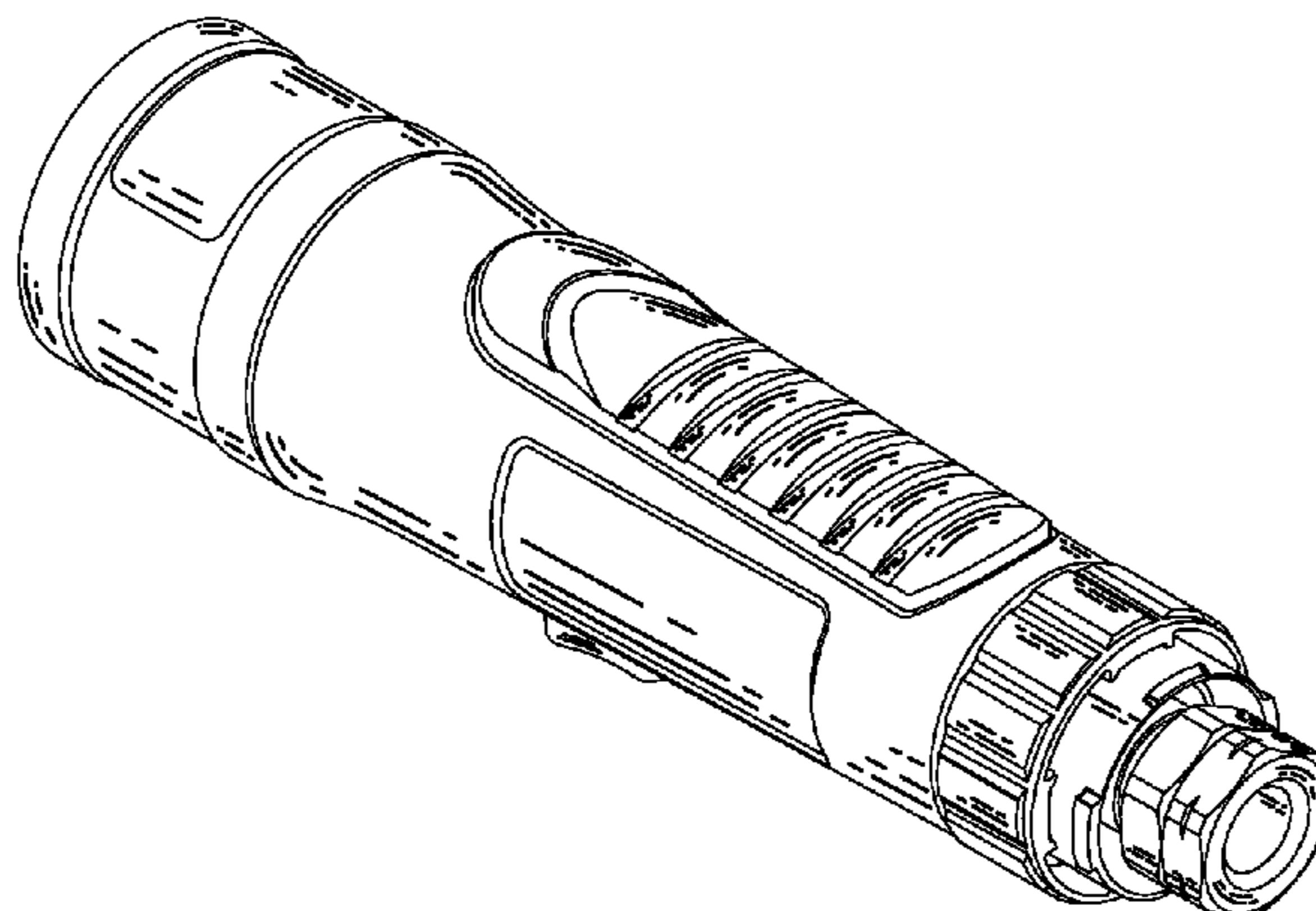
FIG. 6 is top view thereof;

FIG. 7 is a bottom view thereof; and,

FIG. 8 is a side view showing an attachment to the tool in broken lines.

The broken lines are presented for illustrative purposes only and form no part of the claimed design.

1 Claim, 5 Drawing Sheets



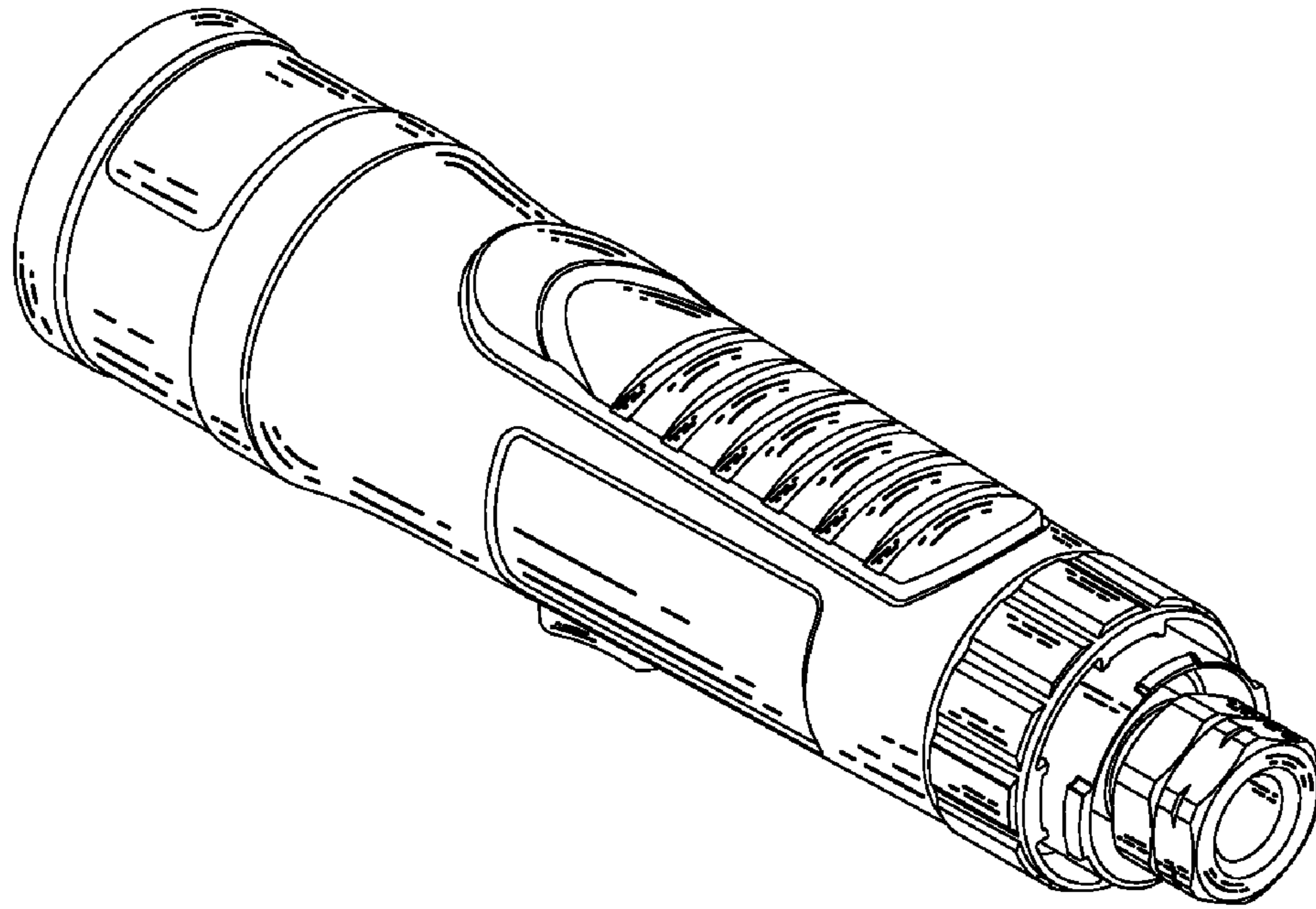


FIG.1

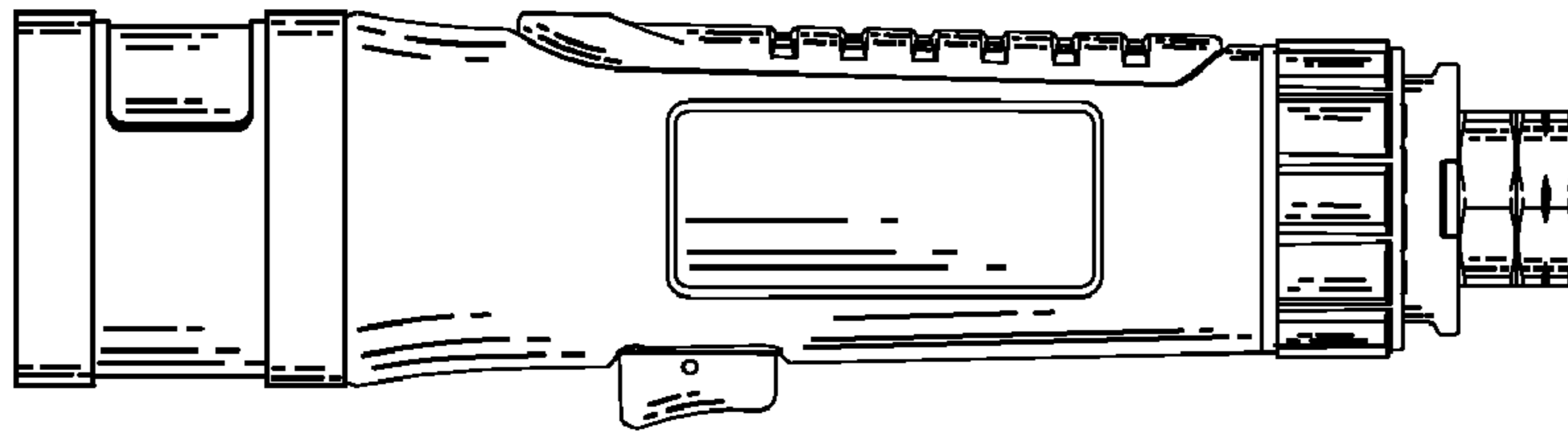


FIG. 2

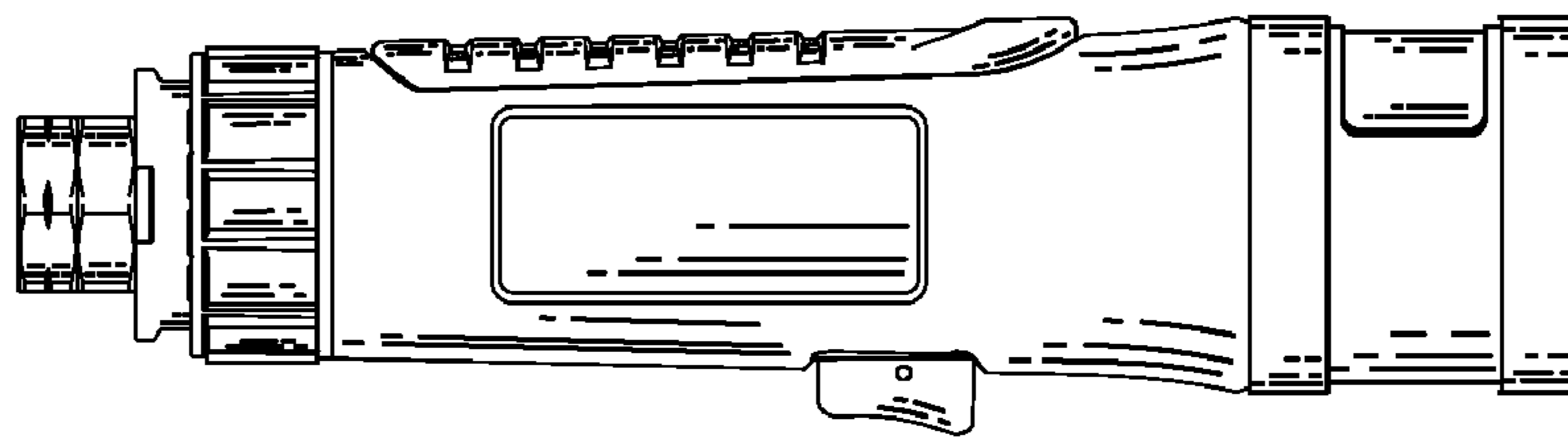


FIG. 3

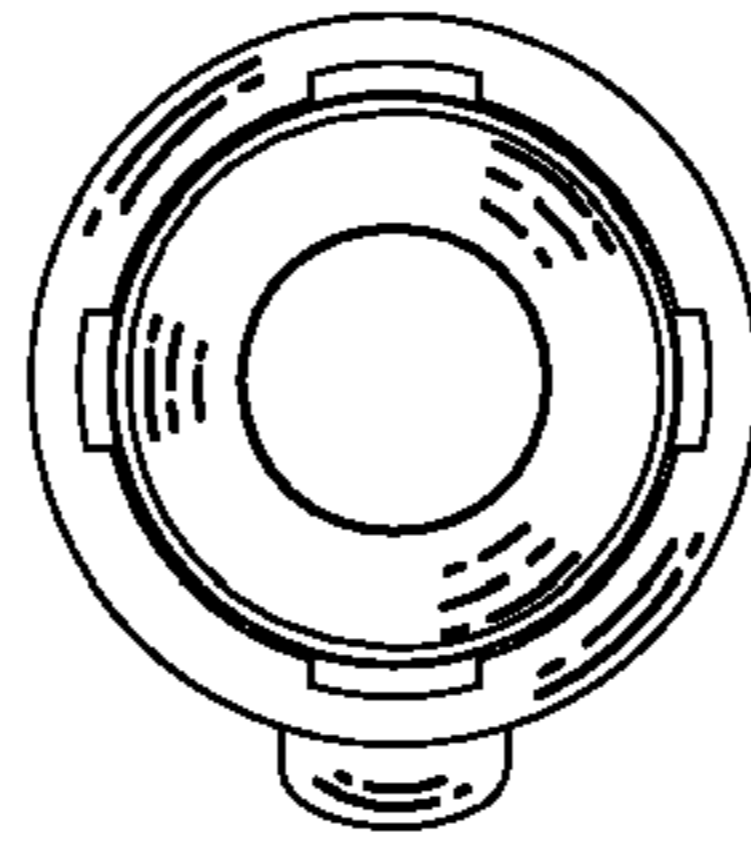


FIG. 4

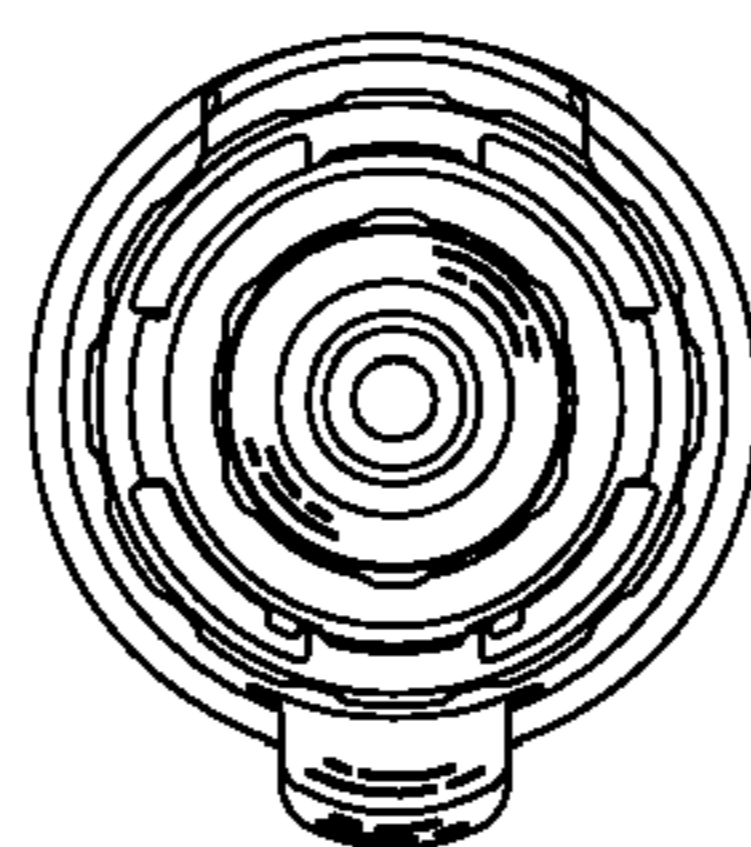


FIG. 5

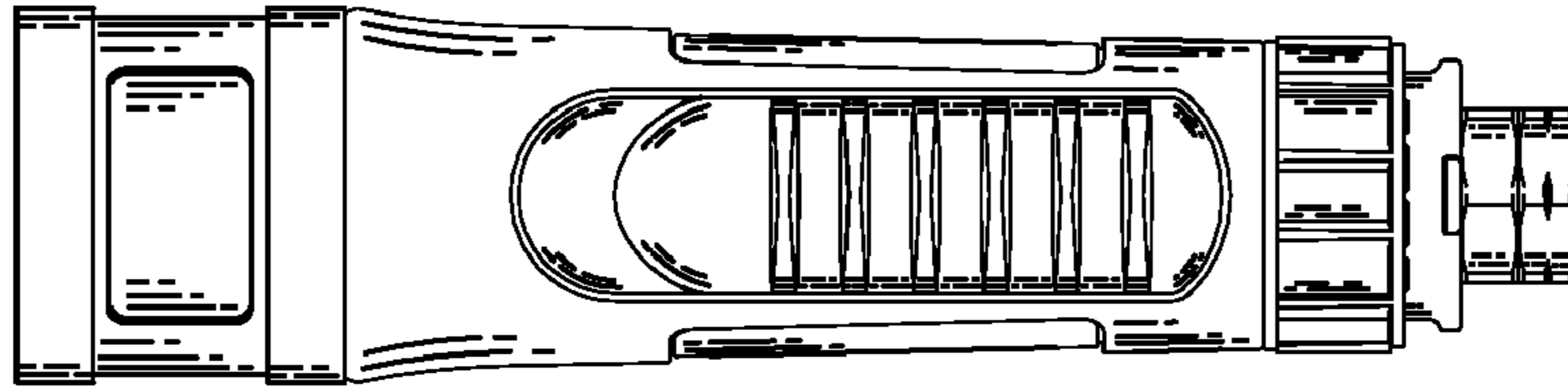


FIG. 6

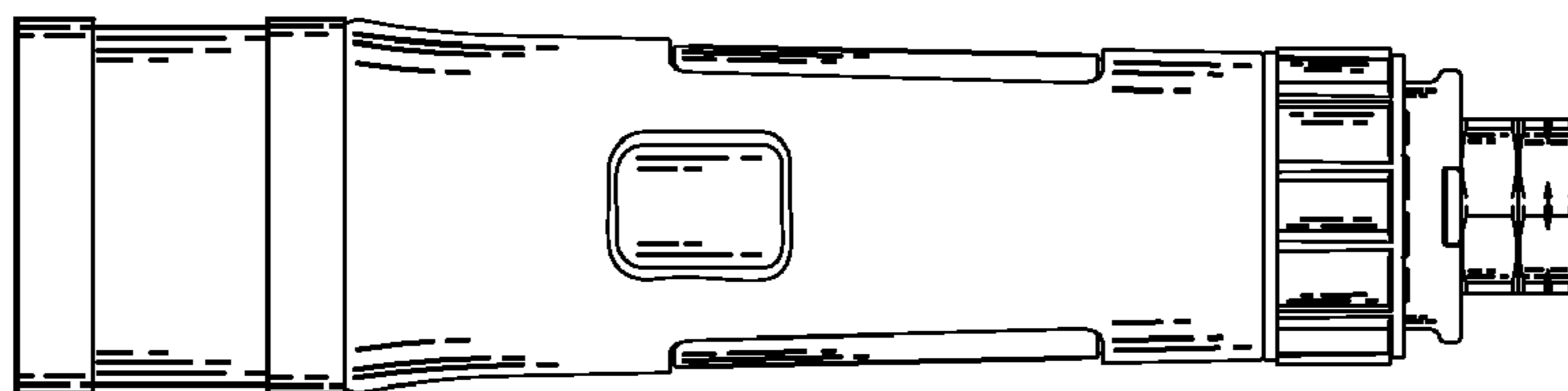


FIG. 7

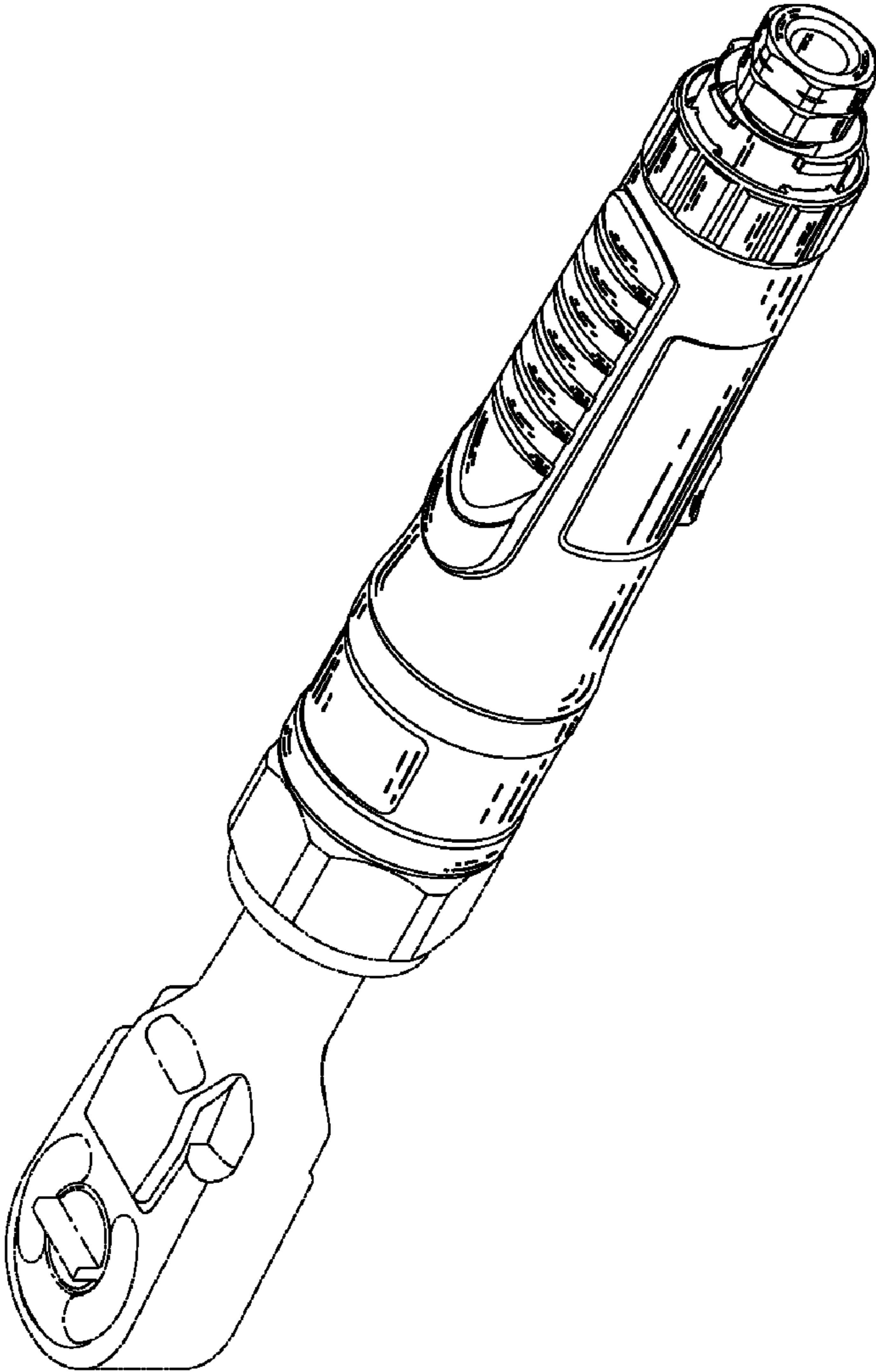


FIG. 8