



US00D569203S

(12) **United States Design Patent**
Kelleghan

(10) **Patent No.:** **US D569,203 S**
(45) **Date of Patent:** **** May 20, 2008**

(54) **CACTUS SHAPED BOTTLE OPENER**

(75) Inventor: **Brian J. Kelleghan**, Longmont, CO
(US)

(73) Assignee: **Bison Designs, LLC**, Longmont, CO
(US)

(**) Term: **14 Years**

(21) Appl. No.: **29/276,856**

(22) Filed: **Feb. 7, 2007**

(51) **LOC (8) Cl.** **07-99**

(52) **U.S. Cl.** **D8/38**

(58) **Field of Classification Search** D8/14,
D8/16-19, 33-43, 88, 105; 7/113, 151-156;
30/400-410, 416-430, 433, 434, 443, 450;
81/3.07, 3.09, 3.2, 3.27, 3.29, 3.31, 3.33,
81/3.35, 3.37, 3.4, 3.45, 3.48, 3.49, 3.55
See application file for complete search history.

(56) **References Cited**

U.S. PATENT DOCUMENTS

D210,093 S	*	2/1968	Bliss	D8/34
D463,234 S		9/2002	Wysopal		
D466,769 S	*	12/2002	Kelleghan	D8/38
D475,606 S		6/2003	Kelleghan		
D479,970 S	*	9/2003	Hutchinson	D8/88
D488,971 S		4/2004	Kelleghan		
D497,087 S	*	10/2004	Gallo et al.	D8/38
D513,158 S	*	12/2005	Purkiss	D8/38

OTHER PUBLICATIONS

“Brought to you by Cactus” illustration—<http://www.nataliedee.com>—Nov. 8, 2005.*
“Blooming Cactus” sculpture—http://www.mountshastageneralstore.com/Z_Garden/steelsculptures.html—May 11, 2006.*

Palm tree bottle opener sold by Openers Plus on www.getthetopoff.com/palmtreecatalogpage.html publication date unknown.

Boy and Cactus Bottle Opener, <http://store.ponyexpressstradingpost.com/01062b.html> 2005.

Antique cactus bottle opener date unknown.

* cited by examiner

Primary Examiner—Caron D. Veynar

Assistant Examiner—Garth Rademaker

(74) *Attorney, Agent, or Firm*—Margaret Polson; Patent Law Offices of Rick Martin, P.C.

(57) **CLAIM**

The ornamental design for a cactus shaped bottle opener, as shown and described.

DESCRIPTION

FIG. 1 is a top plan view of a cactus shaped bottle opener showing my new design;

FIG. 2. is a bottom plan view thereof and a bottom plan view of a second embodiment of the design, the top plan view being a mirror image thereof.

FIG. 3 is a right side elevation view of both the first and second embodiments of the design;

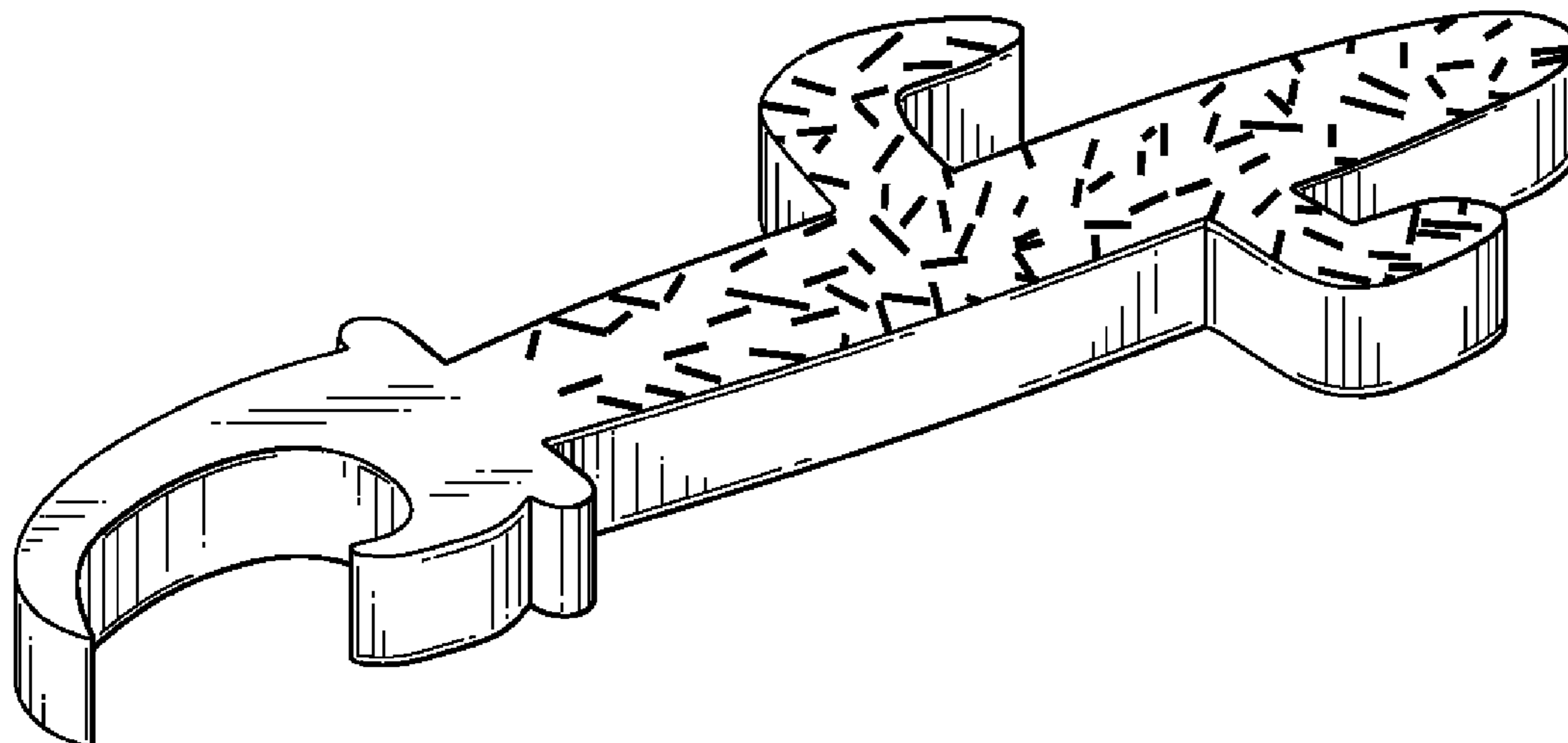
FIG. 4 is a left side elevation view of both the first and second embodiments of the design;

FIG. 5 is a front elevation view of both the first and second embodiments of the design;

FIG. 6 is a back elevation view of both the first and second embodiments of the design; and,

FIG. 7 is a top perspective view of the first embodiment of the design.

1 Claim, 1 Drawing Sheet



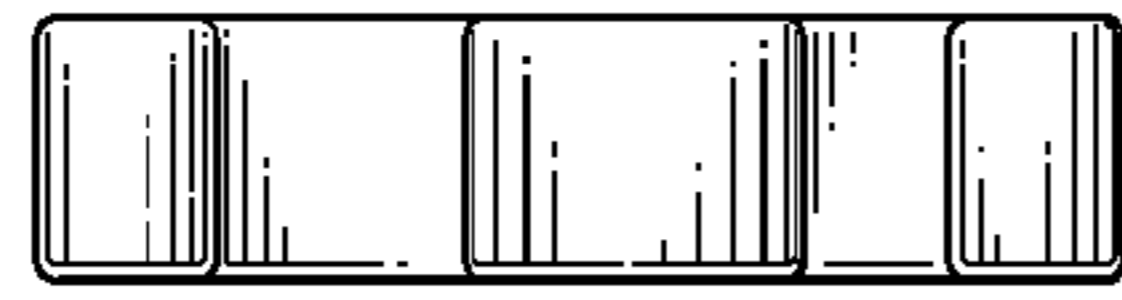


FIG.5



FIG.3

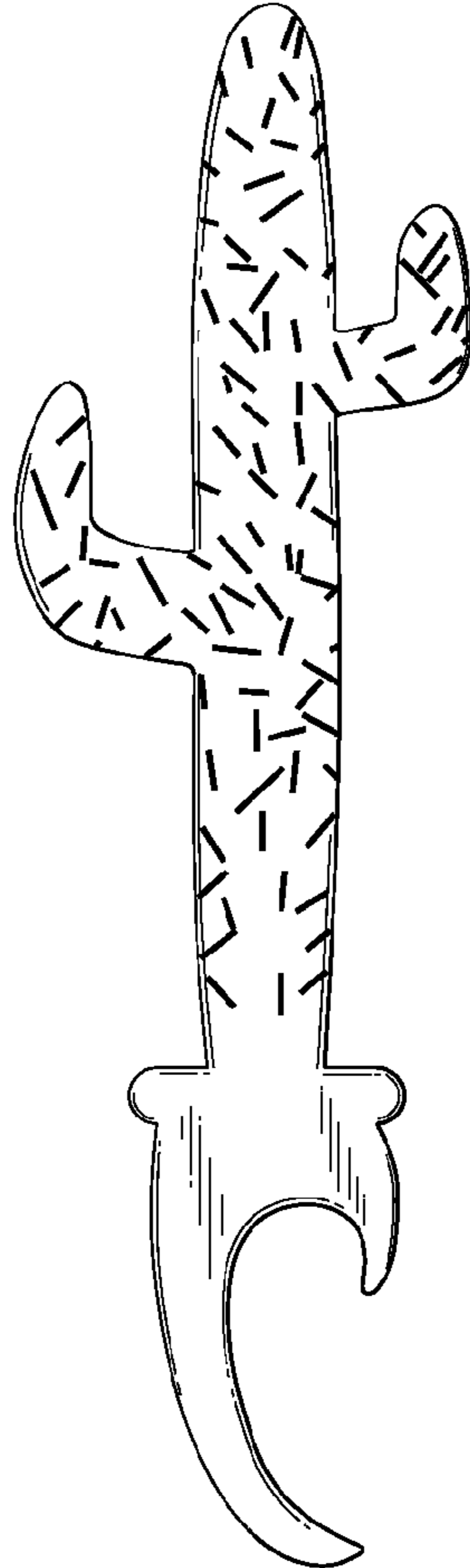


FIG.1



FIG.4

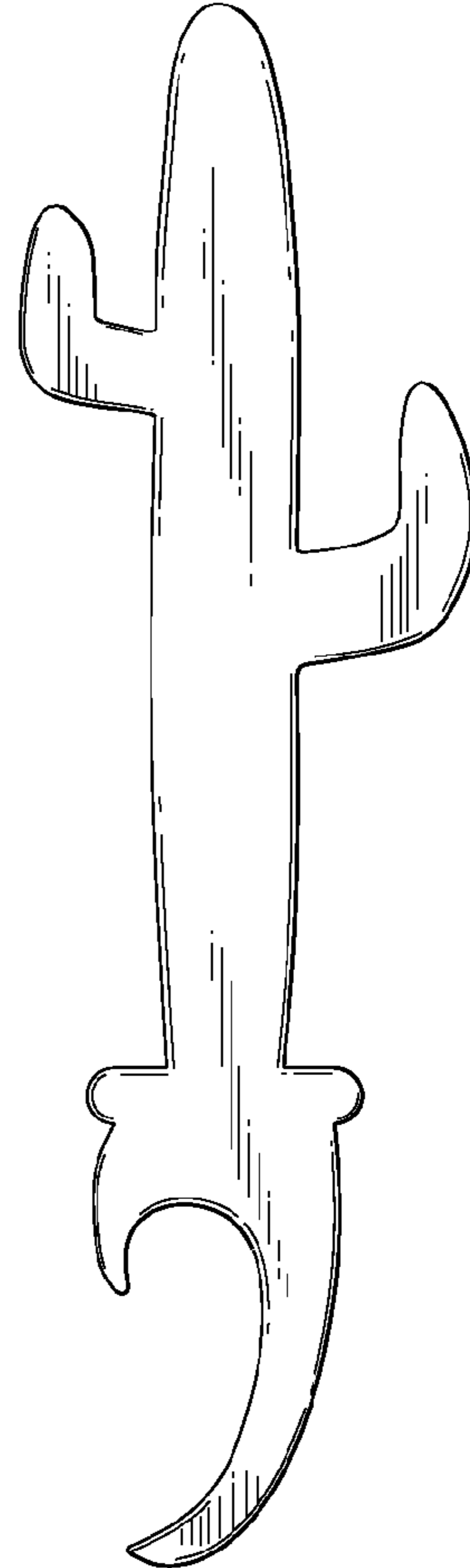


FIG.2

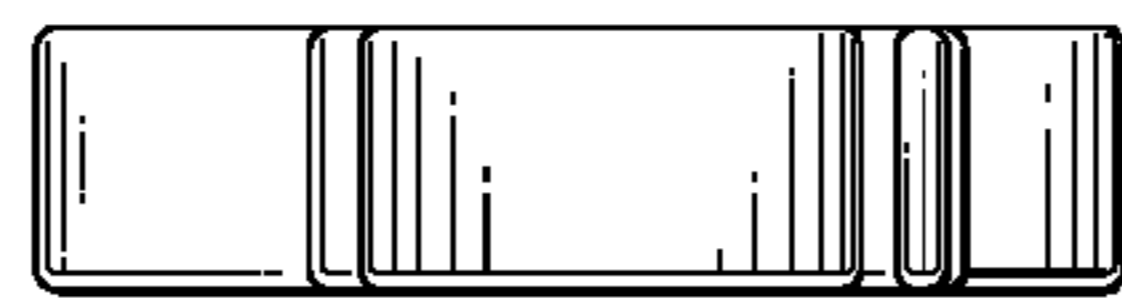


FIG.6

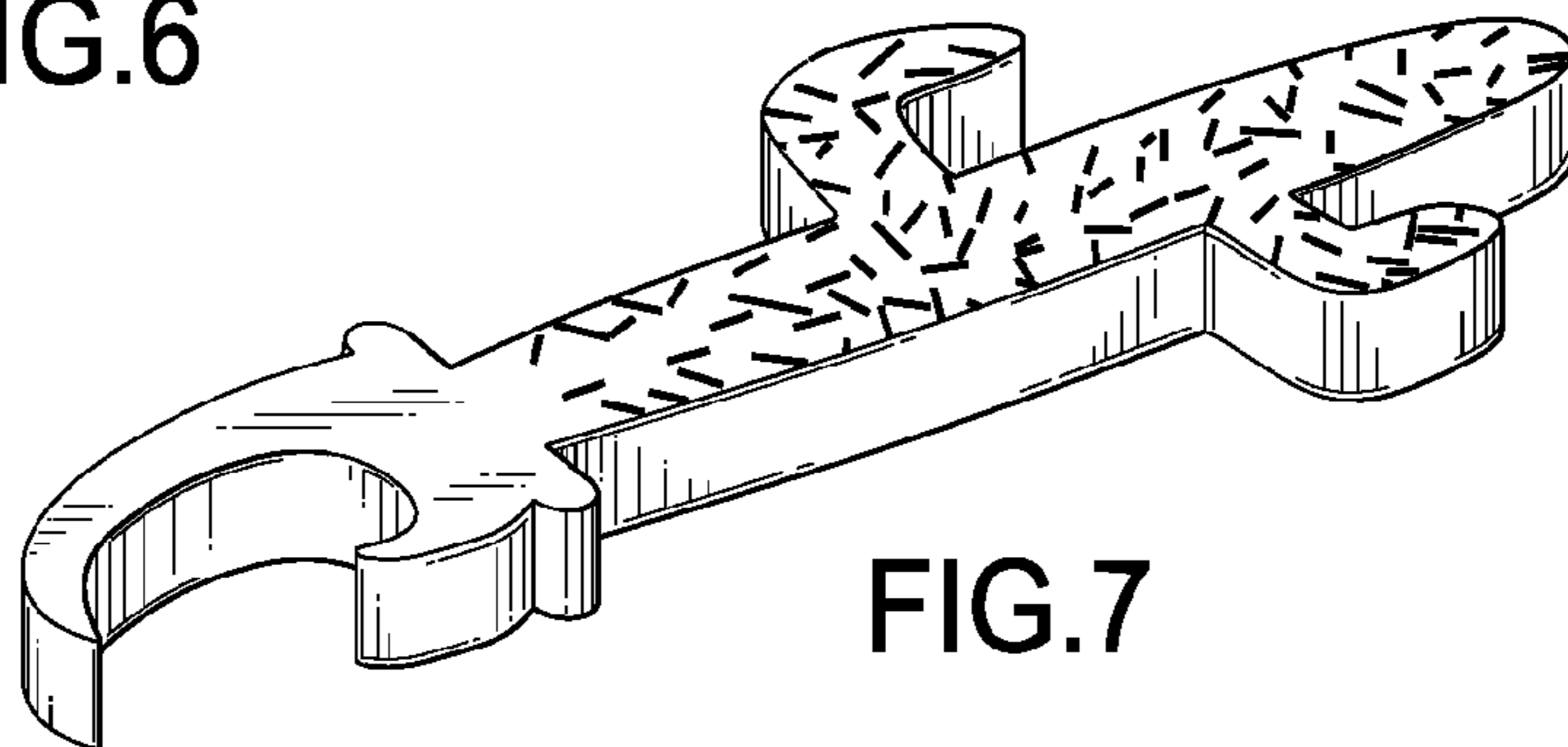


FIG.7