



US00D569200S

(12) **United States Design Patent**
Chalfant et al.

(10) **Patent No.:** **US D569,200 S**

(45) **Date of Patent:** **** May 20, 2008**

(54) **MANUAL SLICING DEVICE**

(75) Inventors: **Louis Chalfant**, Russellville, AR (US);
Carter W. McGuyer, Florence, AL
(US); **Christopher R. Grace**,
Russellville, AR (US)

(73) Assignee: **Grace Manufacturing Inc.**,
Russellville, AR (US)

(**) Term: **14 Years**

(21) Appl. No.: **29/281,054**

(22) Filed: **Jun. 14, 2007**

(51) **LOC (8) Cl.** **07-04**

(52) **U.S. Cl.** **D7/672**

(58) **Field of Classification Search** D7/672,
D7/678, 381, 693; 83/669, 856, 857, 932,
83/870, 699.51, 699.61; 30/278, 279.6, 280,
30/283, 286, 287, 114

See application file for complete search history.

(56) **References Cited**

U.S. PATENT DOCUMENTS

1,845,522 A * 2/1932 Rowley 241/168
2,225,658 A * 12/1940 Rauchfuss 241/37.5
2,766,793 A * 10/1956 Duszynski 83/699.51

4,310,971 A * 1/1982 Rowell 30/114
5,148,731 A * 9/1992 Boerner 83/857
D406,018 S * 2/1999 Zirbes D7/673
6,082,645 A * 7/2000 Himmighofen et al. 241/168
6,318,652 B1 * 11/2001 Liu 241/95
D498,649 S * 11/2004 Di Bitonto et al. D7/678

* cited by examiner

Primary Examiner—Terry A Wallace

(74) *Attorney, Agent, or Firm*—Ladas & Parry LLP

(57) **CLAIM**

The ornamental design for a novel manual slicing device,
substantially as shown.

DESCRIPTION

FIG. 1 is a perspective view of the slicer constructed in
accordance with the present invention;

FIG. 2 is a top plan view of the slicer of FIG. 1;

FIG. 3 is a right side elevation of the slicer of FIG. 1;

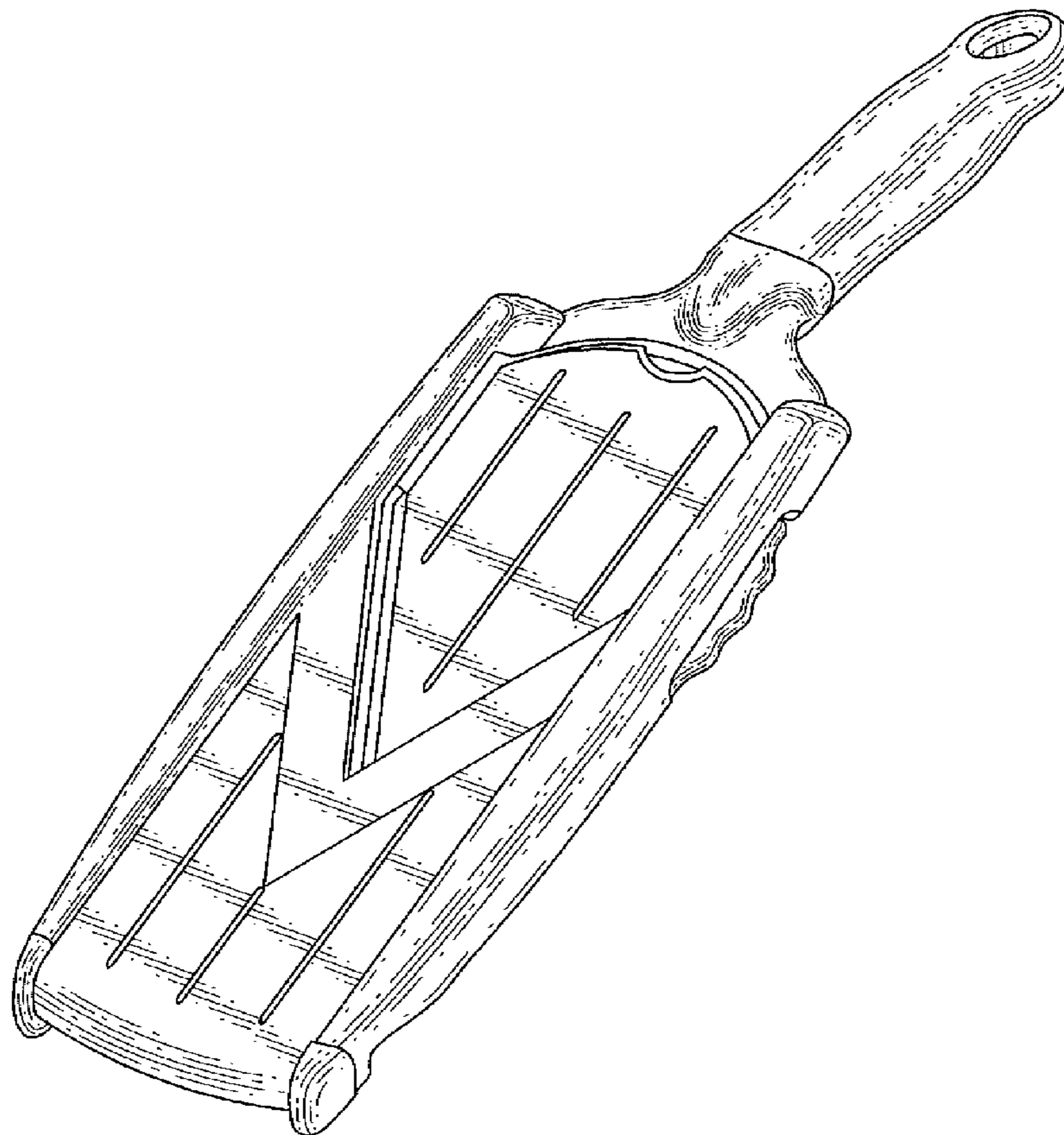
FIG. 4 is a bottom plan view of the slicer of FIG. 1;

FIG. 5 is a front elevation of the slicer of FIG. 1;

FIG. 6 is a rear elevation of the slicer of FIG. 1; and,

FIG. 7 is a left side elevation of the slicer of FIG. 1.

1 Claim, 2 Drawing Sheets



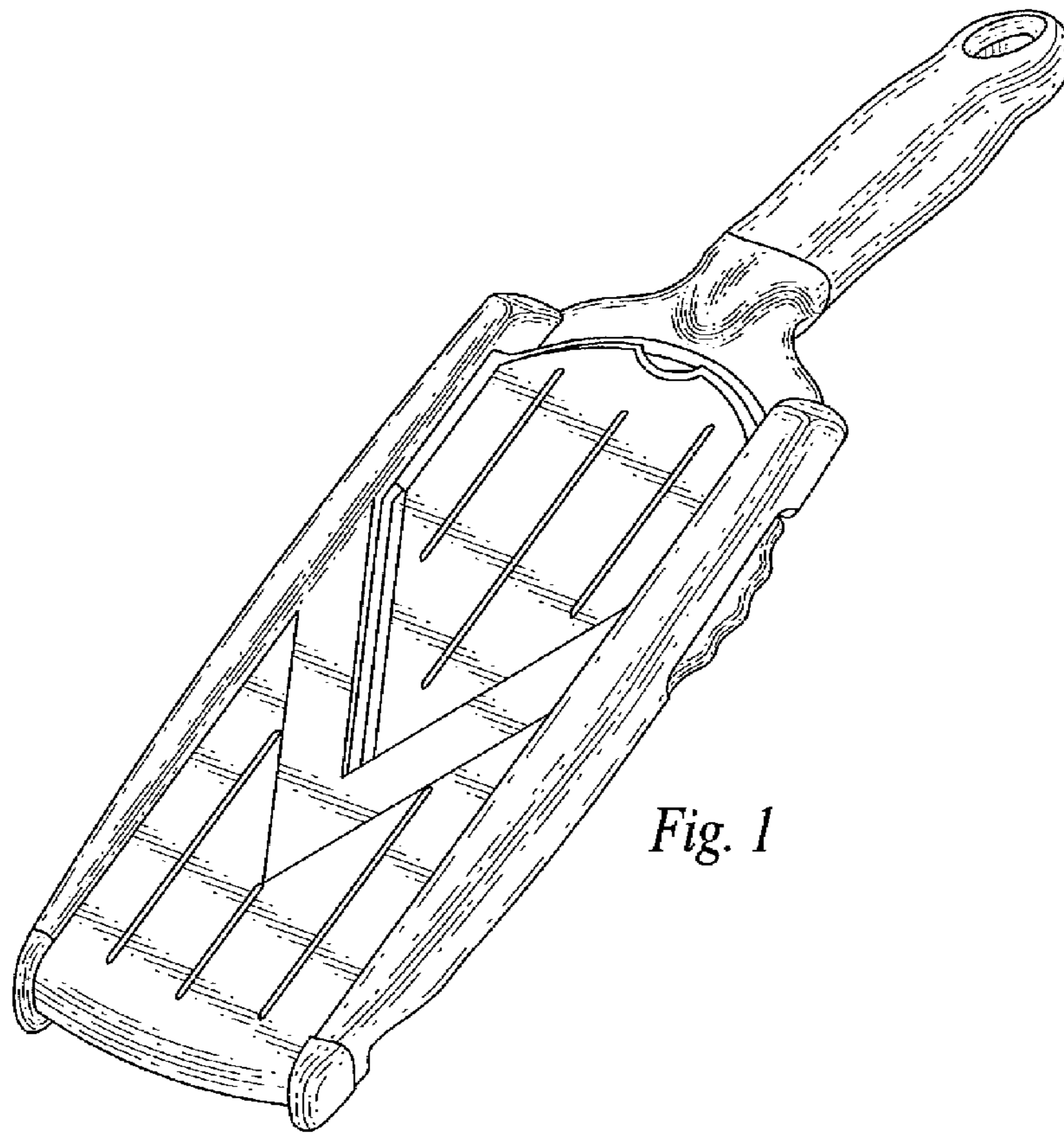


Fig. 1

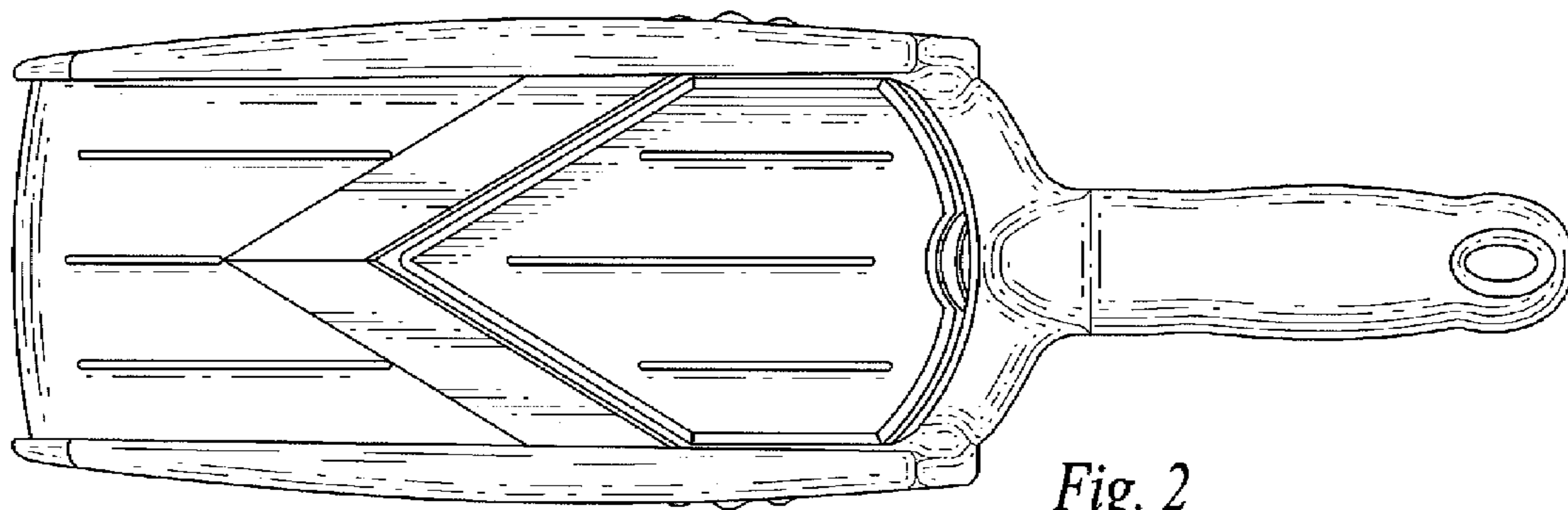


Fig. 2

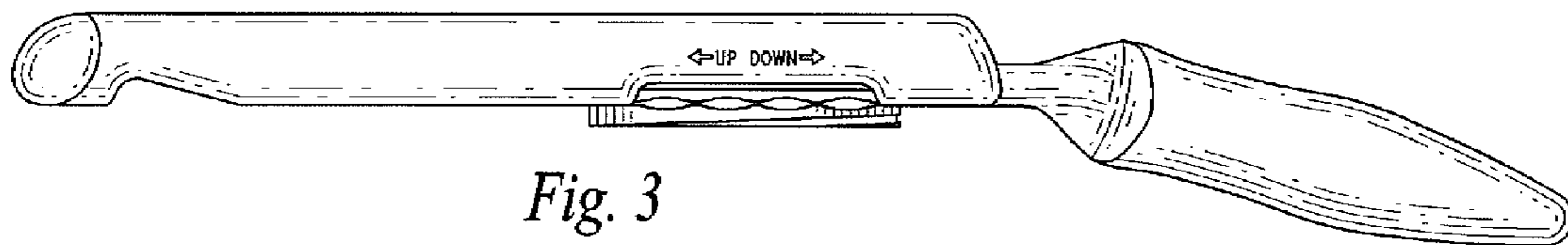


Fig. 3

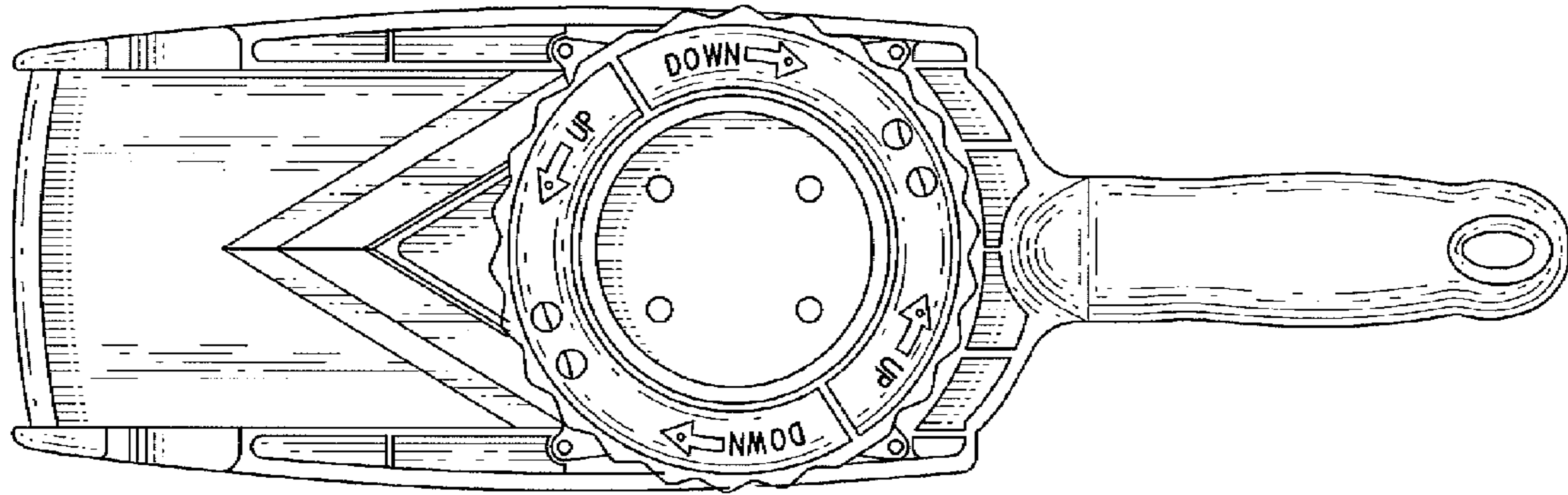


Fig. 4

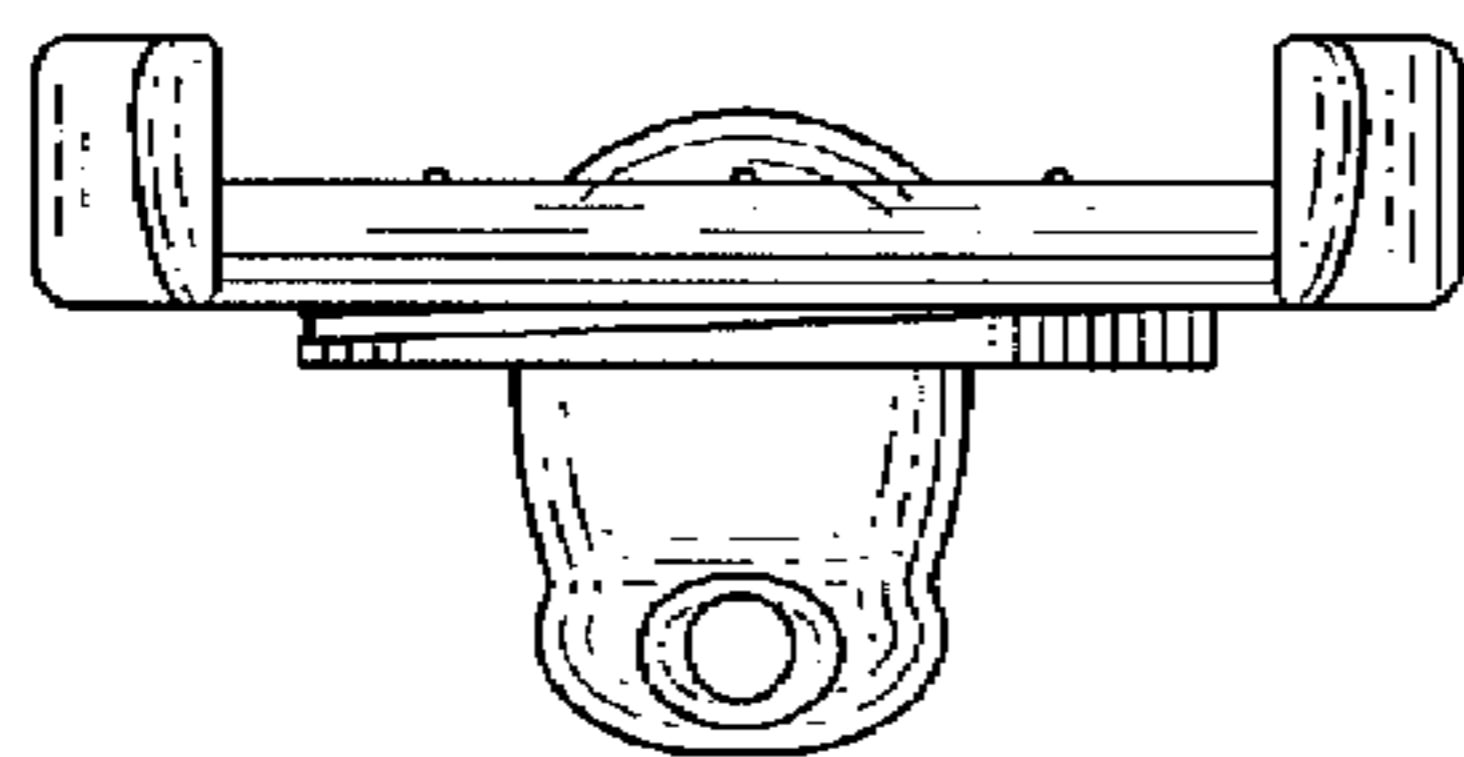


Fig. 5

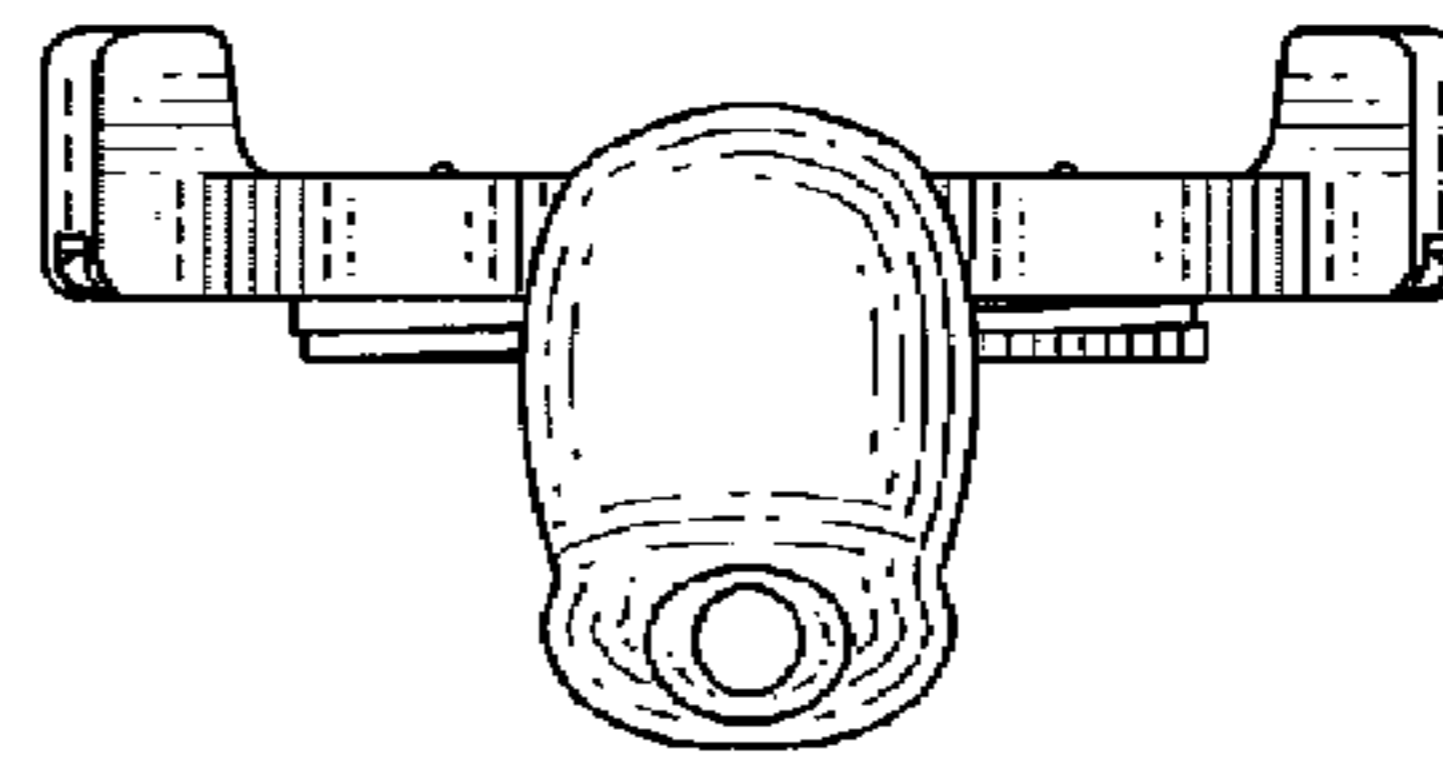


Fig. 6

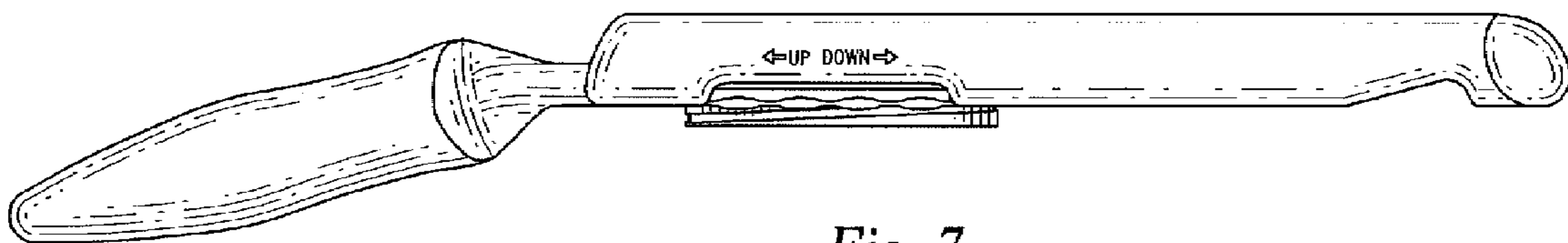


Fig. 7