



US00D569196S

(12) **United States Design Patent** (10) **Patent No.:** **US D569,196 S**
Angel et al. (45) **Date of Patent:** **** May 20, 2008**

(54) **ADJUSTABLE CUTLERY TRAY** D527,229 S * 8/2006 Joy D7/637

(75) Inventors: **Bruce A. Angel**, Stokesdale, NC (US);
Judith A. Gibbs, High Point, NC (US)

(73) Assignee: **Camco Manufacturing**, Greensboro,
NC (US)

(**) Term: **14 Years**

(21) Appl. No.: **29/288,329**

(22) Filed: **Jun. 7, 2007**

(51) **LOC (8) Cl.** **07-06**

(52) **U.S. Cl.** **D7/637**

(58) **Field of Classification Search** D7/637-641,
D7/601, 550.1, 553.1, 553.2; 206/553, 557,
206/562, 564; 211/60.1, 70.1, 70.6, 70.7,
211/69.1; D6/510; D19/75, 77, 78, 81-83,
D19/86, 92; D3/304, 313, 314

See application file for complete search history.

(56) **References Cited**

U.S. PATENT DOCUMENTS

1,274,382 A	8/1918	Burgoyne	
1,389,986 A	9/1921	Ristenpart	
D159,900 S	8/1950	Gessler	
3,135,383 A	6/1964	Bloch	
D211,899 S	8/1968	Kriegel	
3,467,247 A	9/1969	Weiss	
D332,553 S	1/1993	Giugiard	
D352,868 S *	11/1994	Breen D7/637
D353,078 S	12/1994	Davis et al.	
5,738,425 A	4/1998	Rosenberg et al.	
D397,274 S	8/1998	Hise	
D421,554 S	3/2000	Govrik et al.	
D434,952 S	12/2000	Diehl	
D436,730 S *	1/2001	Dembicks D3/313
D451,676 S *	12/2001	Dembicks D3/313
D455,921 S *	4/2002	Quinn D6/510
6,467,622 B1 *	10/2002	Hull 206/553
6,648,138 B1 *	11/2003	Kelly 206/564
D494,024 S *	8/2004	Welch D7/637
D512,279 S *	12/2005	Berger et al. D7/637

OTHER PUBLICATIONS

Ref. No. 1, Flatware Organizer, P/N 4W1921F, Vance Industries website (www.vanceind.com) May 25, 2007.

Ref. No. 2, Flatware/Utensil Organizer, P/N285051, Improvements website (www.improvementscatalog.com) Apr. 24, 2007.

Ref. No. 3, Expand A Drawer Utensil Organizer, Item#077393025446, Organize-It website (www.organizes-it.com) Apr. 24, 2007.

Ref. No. 4, Expand A Drawer Cutlery Organizer, Item#077393025064, Organize-It website (www.organizes-it.com) Apr. 24, 2007.

Ref. No. 5, Rubbermaid Adjustable Cutlery Tray, #2974-00, Home and Beyond website (www.homeandbeyond.com) May 29, 2007.

Ref. No. 6, Lipper International Expandable Flatware Organizer, Target website (www.target.com) Apr. 18, 2007.

* cited by examiner

Primary Examiner—Terry A Wallace

(57) **CLAIM**

The ornamental design for an adjustable cutlery tray, as shown and described.

DESCRIPTION

FIG. 1 is a front elevational view of an adjustable cutlery tray embodying our design;

FIG. 2 is a rear elevational view thereof;

FIG. 3 is a right side elevational view thereof and the left side elevational view being a mirror image;

FIG. 4 is a top plan view thereof;

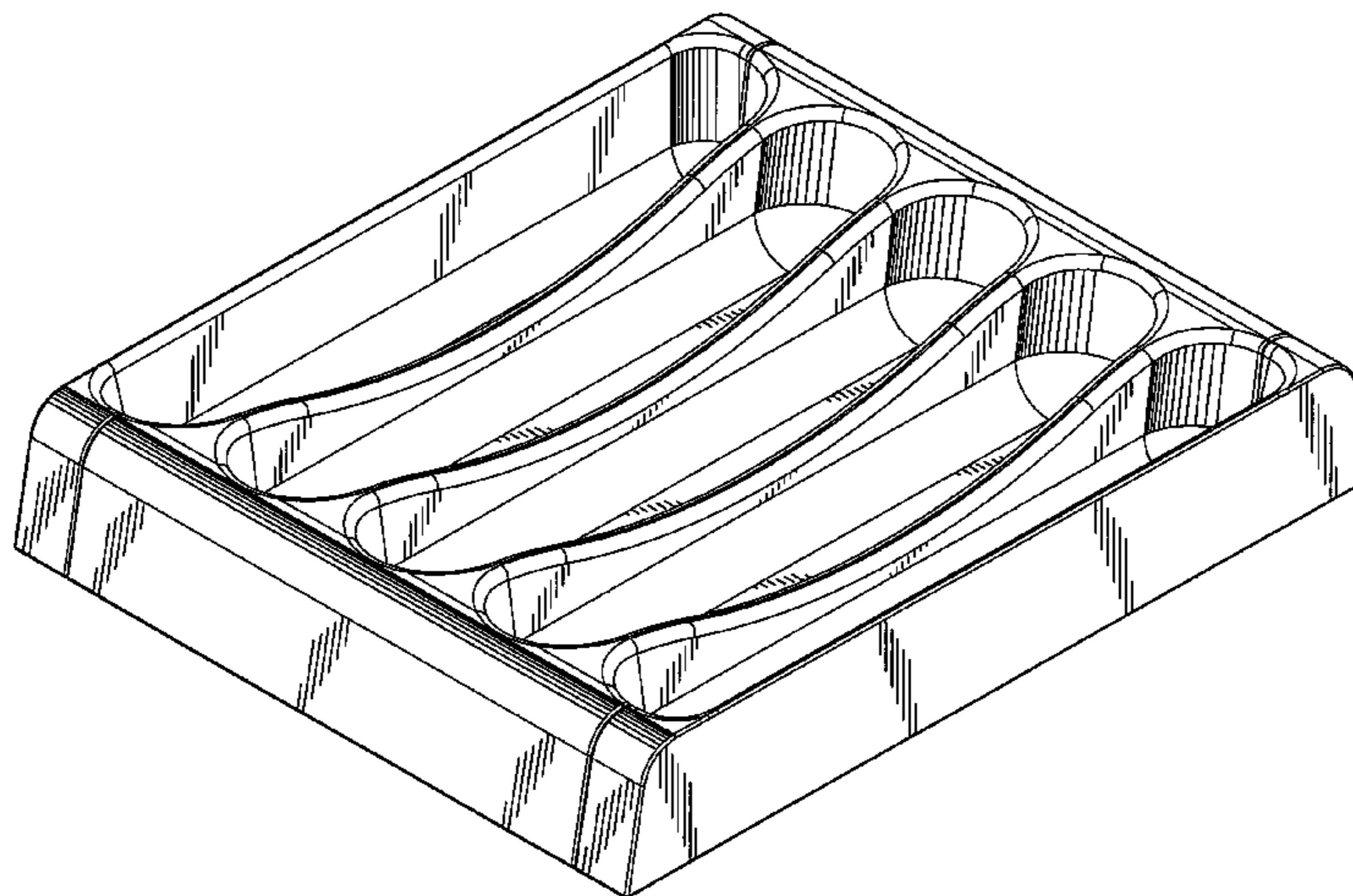
FIG. 5 is a bottom plan view thereof;

FIG. 6 is a front, top right perspective view thereof in the fully retracted position;

FIG. 7 is a front, top right perspective view thereof in the expanded position; and,

FIG. 8 is a front, bottom right perspective view thereof in the expanded position.

1 Claim, 6 Drawing Sheets



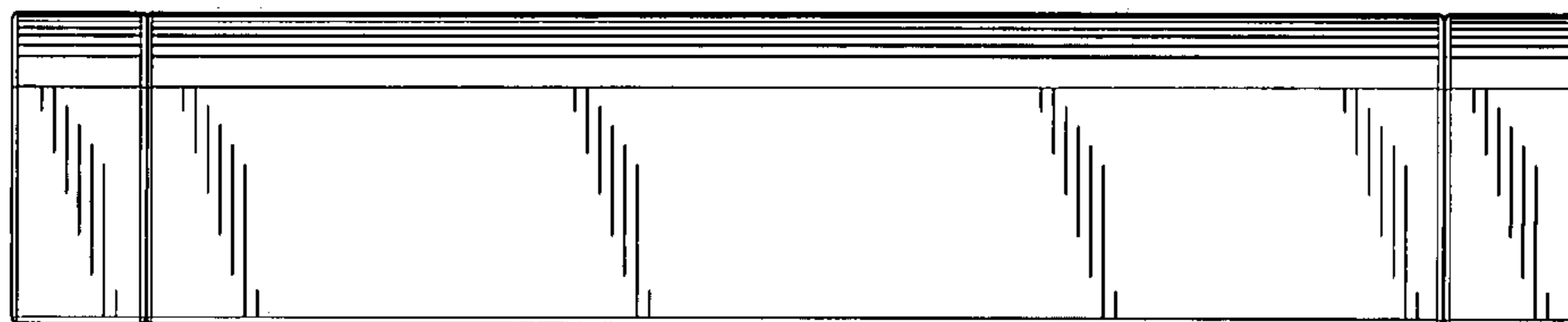


FIG. 1

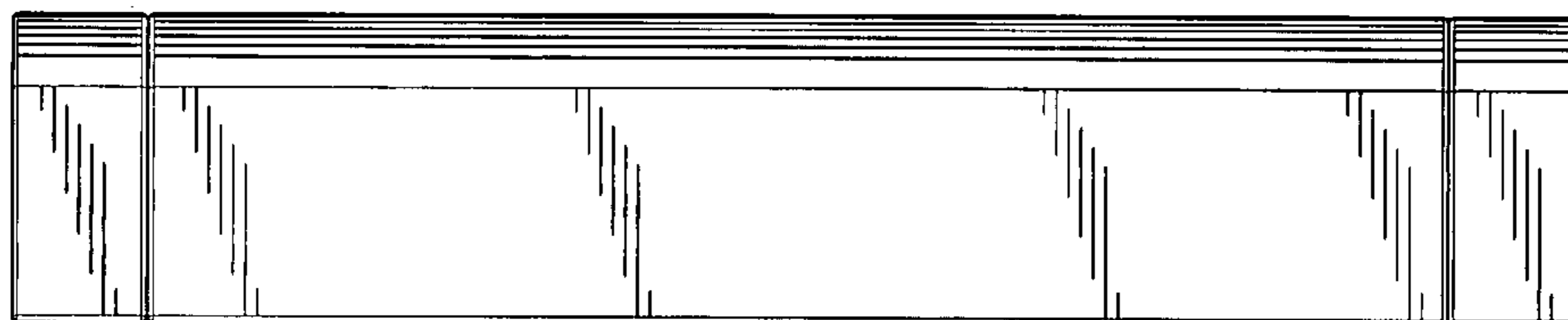


FIG. 2

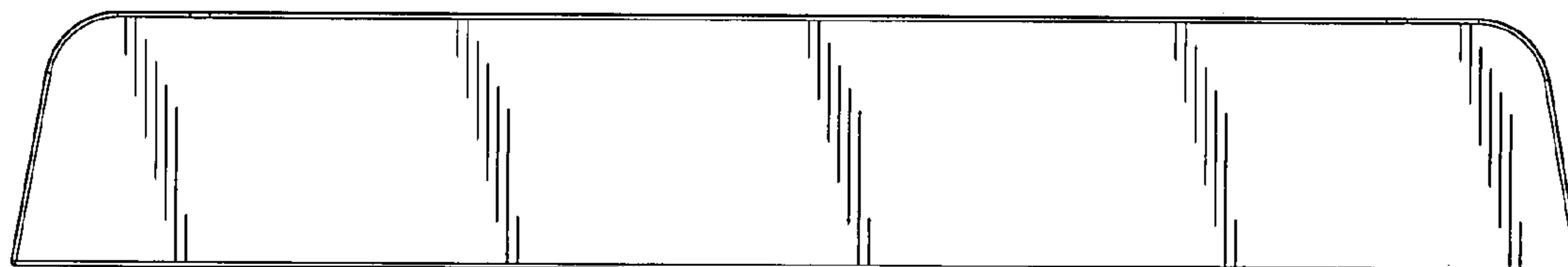


FIG. 3

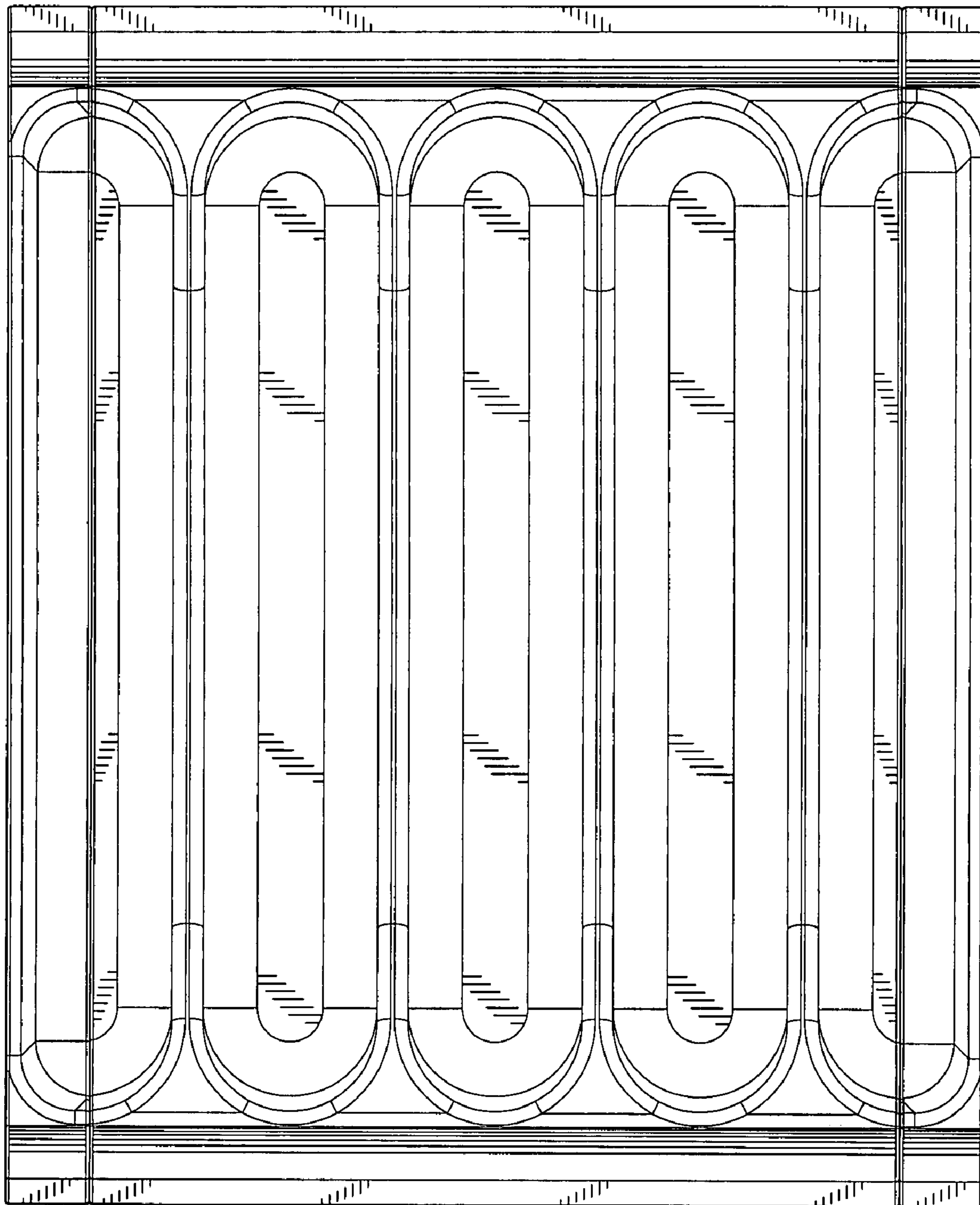


FIG. 4

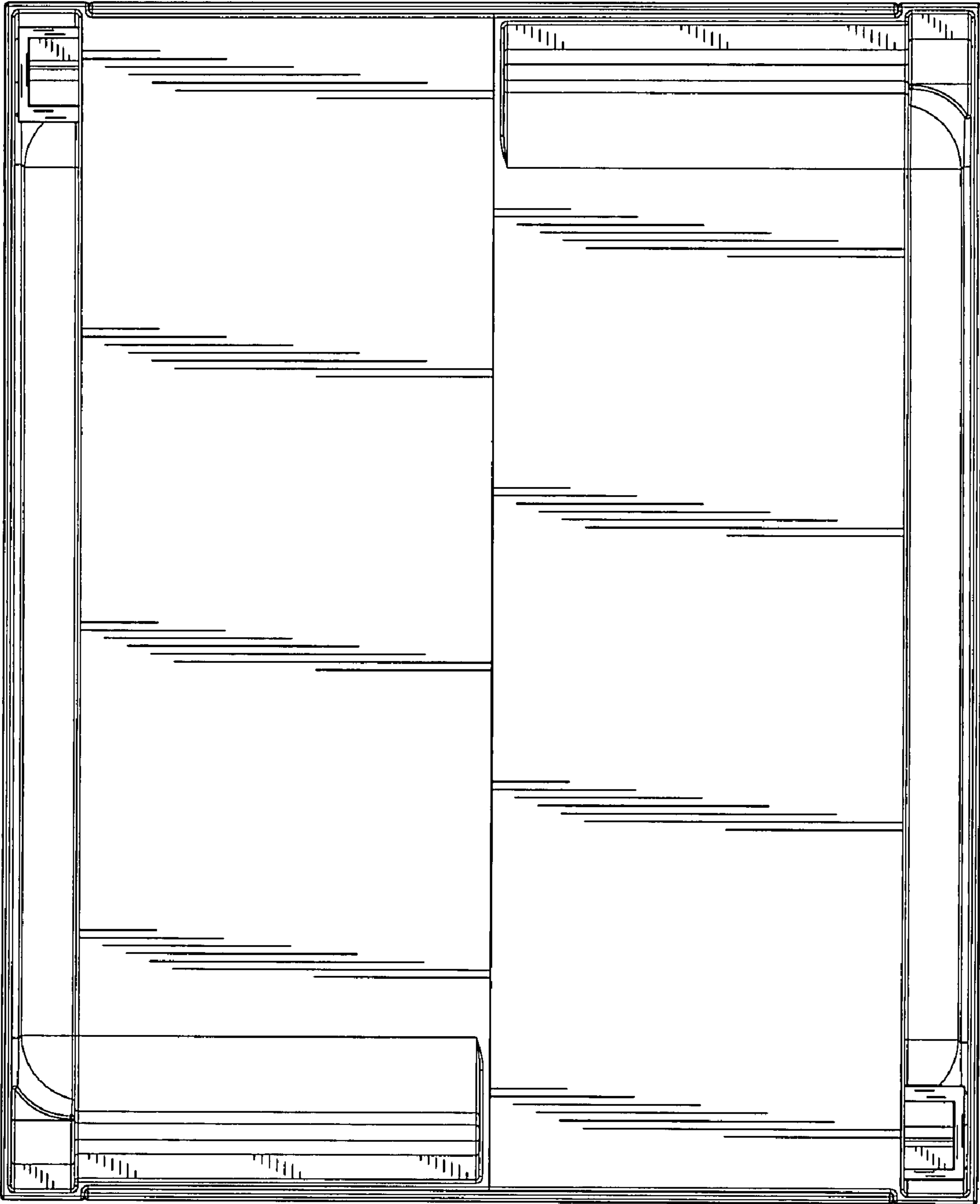


FIG. 5

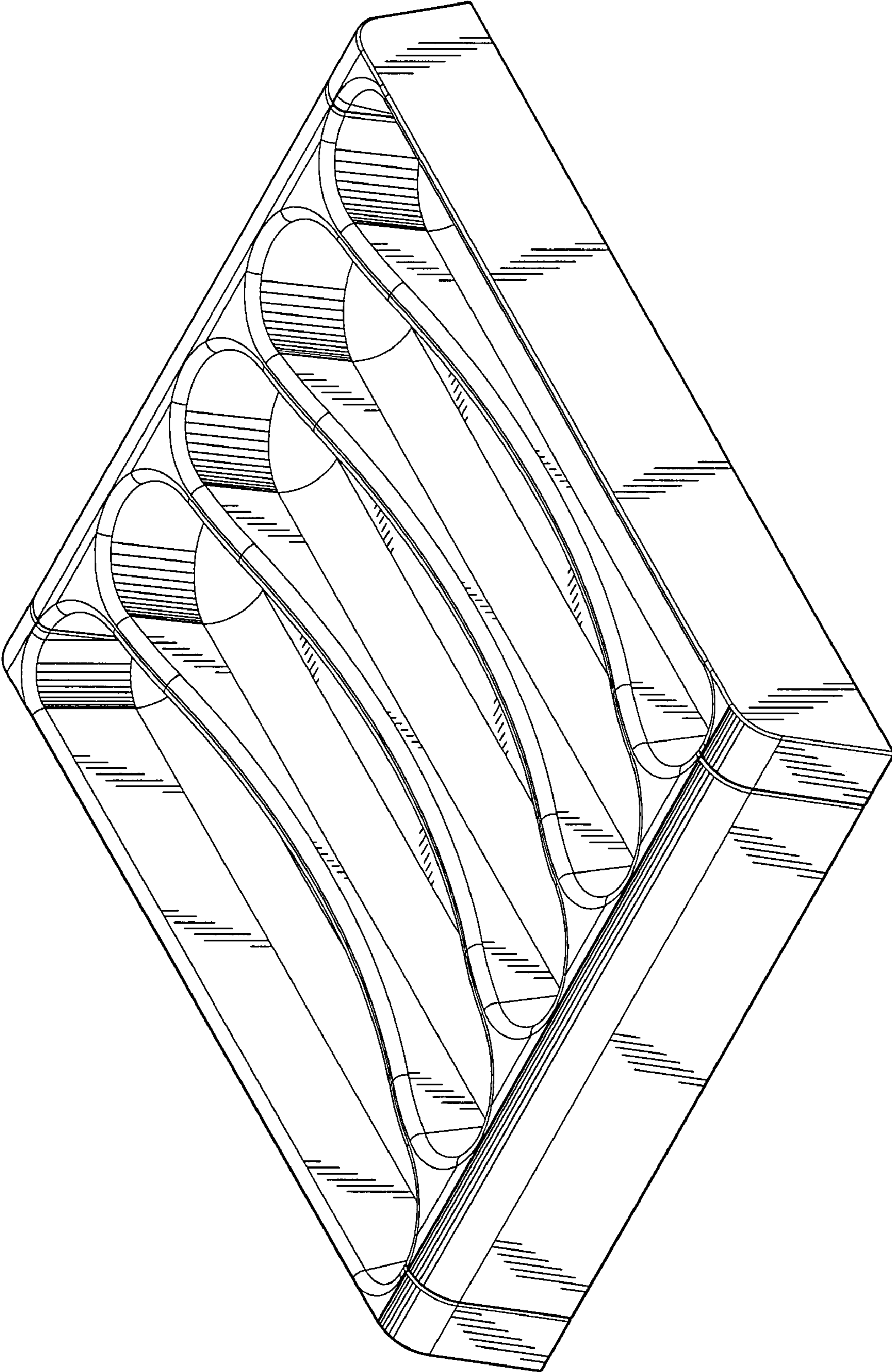


FIG. 6

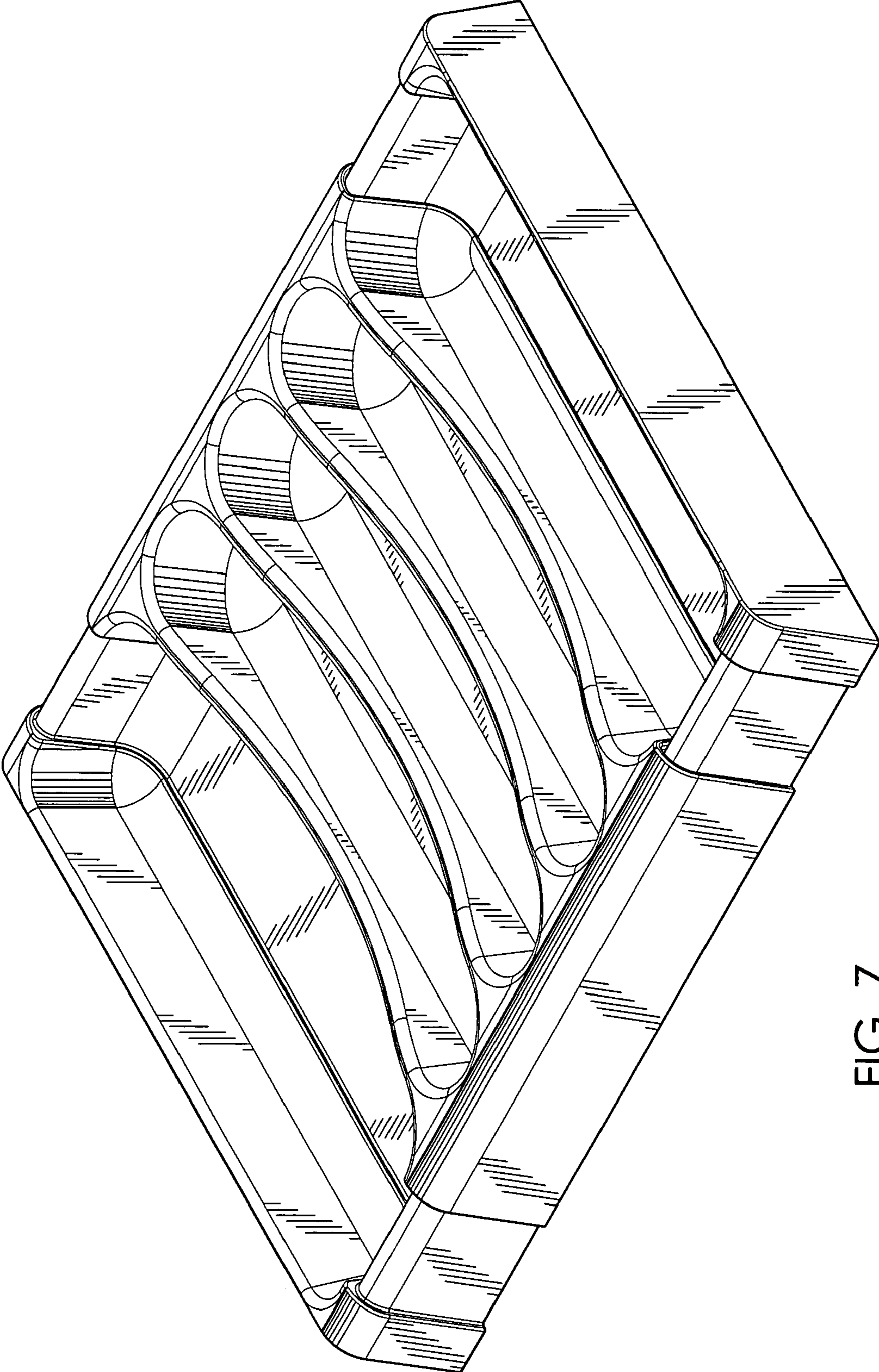


FIG. 7

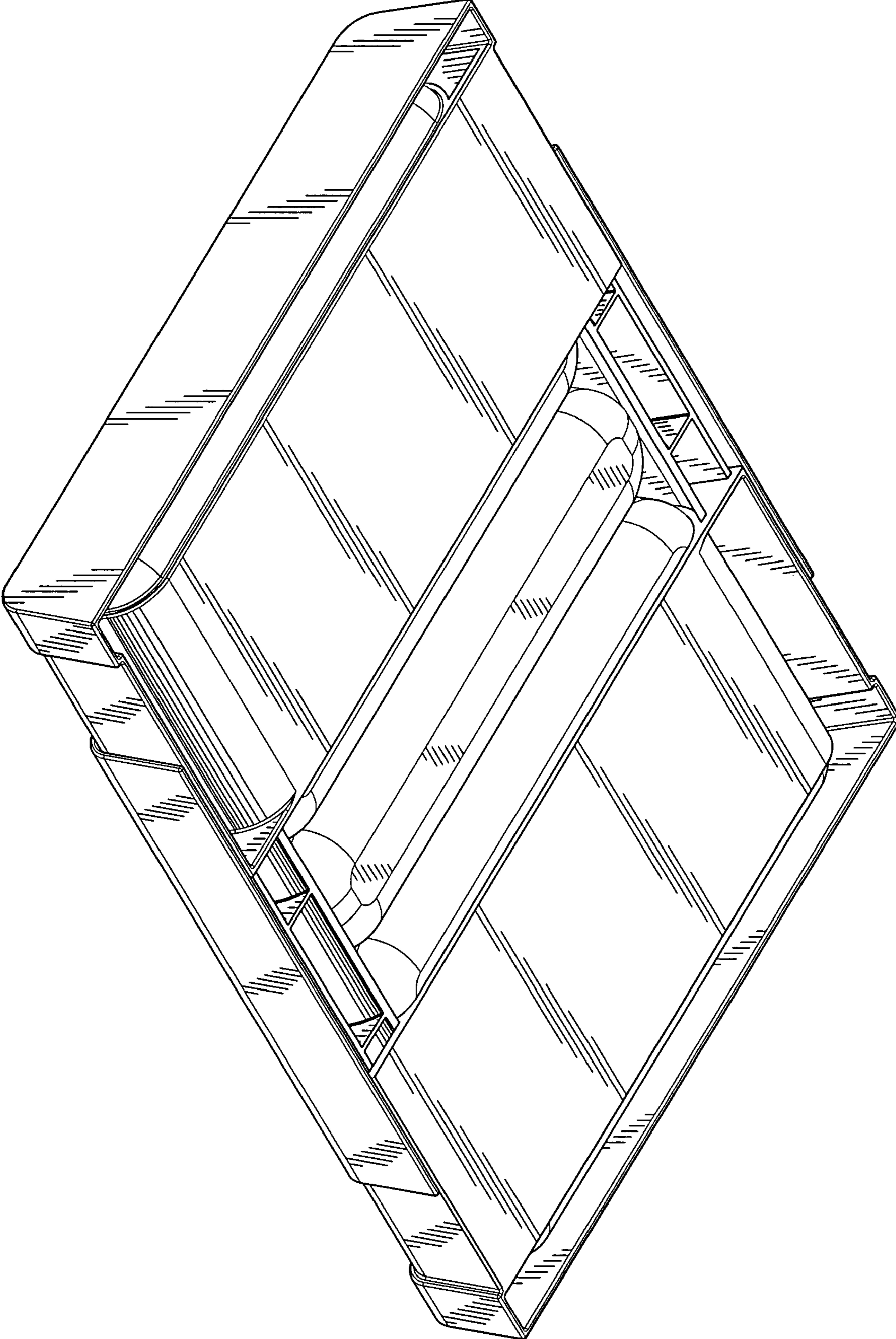


FIG. 8