



US00D569194S

(12) **United States Design Patent**  
**Chang**

(10) **Patent No.:** **US D569,194 S**

(45) **Date of Patent:** **\*\* May 20, 2008**

(54) **FLOATING FISH COOLER**

6,014,833 A \* 1/2000 Benavidez ..... 43/54.1  
6,016,933 A \* 1/2000 Daily et al. .... 220/560

(76) Inventor: **Kevin Chang**, P.O. Box 662125, Lihue,  
HI (US) 96766

\* cited by examiner

(\*\*) Term: **14 Years**

*Primary Examiner*—Terry A Wallace

(21) Appl. No.: **29/291,600**

(74) *Attorney, Agent, or Firm*—Robert C. Montgomery;  
Eugene A. Vittone, II

(22) Filed: **Sep. 6, 2007**

(57) **CLAIM**

(51) **LOC (8) Cl.** ..... **07-01**

The ornamental design for a floating fish cooler, as shown and described.

(52) **U.S. Cl.** ..... **D7/605**

(58) **Field of Classification Search** ..... D7/605–608,  
D7/602, 629; 220/915.1, 915.2, 592.01,  
220/592.03, 592.09, 592.16, 592.2; 43/54.1,  
43/55, 56; 62/457.1–457.7, 371, 372  
See application file for complete search history.

**DESCRIPTION**

(56) **References Cited**

**U.S. PATENT DOCUMENTS**

3,678,611	A *	7/1972	Files	.....	43/54.1
4,146,279	A *	3/1979	Stahel	.....	D7/605
4,398,488	A *	8/1983	Mathieu	.....	220/592.01
4,638,593	A *	1/1987	Garcia	.....	43/54.1
4,927,041	A	5/1990	Hepburn		
5,064,088	A *	11/1991	Steffes	.....	220/915.2
5,117,577	A *	6/1992	Burghoff	.....	43/56
5,551,186	A *	9/1996	Harada	.....	43/55

FIG. 1 is a perspective view of a floating fish cooler, as shown and described;

FIG. 2 is a right-hand side view thereof;

FIG. 3 is a left-hand side view thereof;

FIG. 4 is a rear view thereof;

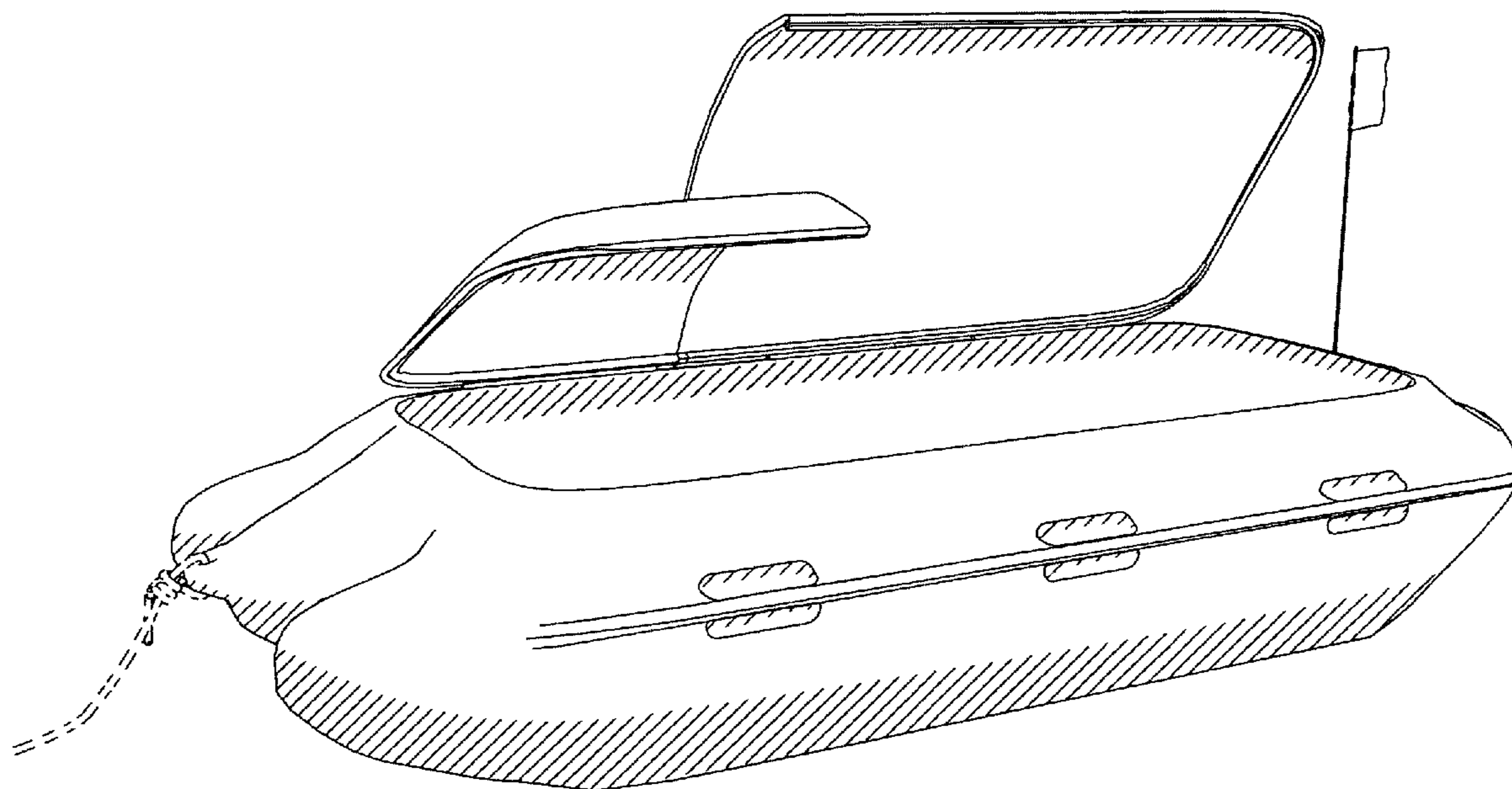
FIG. 5 is a front view thereof;

FIG. 6 is a top view thereof; and,

FIG. 7 is a bottom view thereof.

The broken lines are for illustrative purposes only and form no part of the claimed design.

**1 Claim, 7 Drawing Sheets**



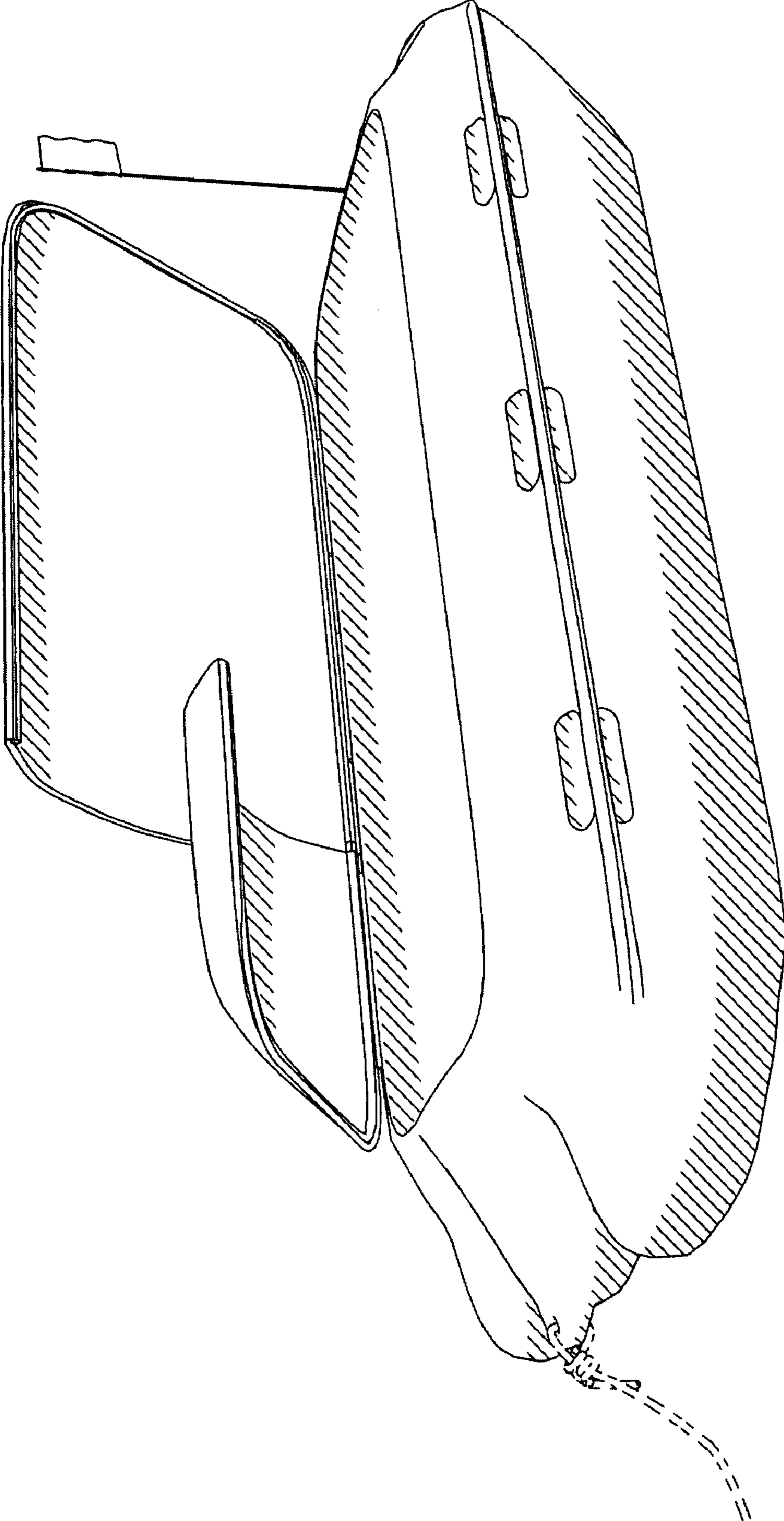


Fig. 1

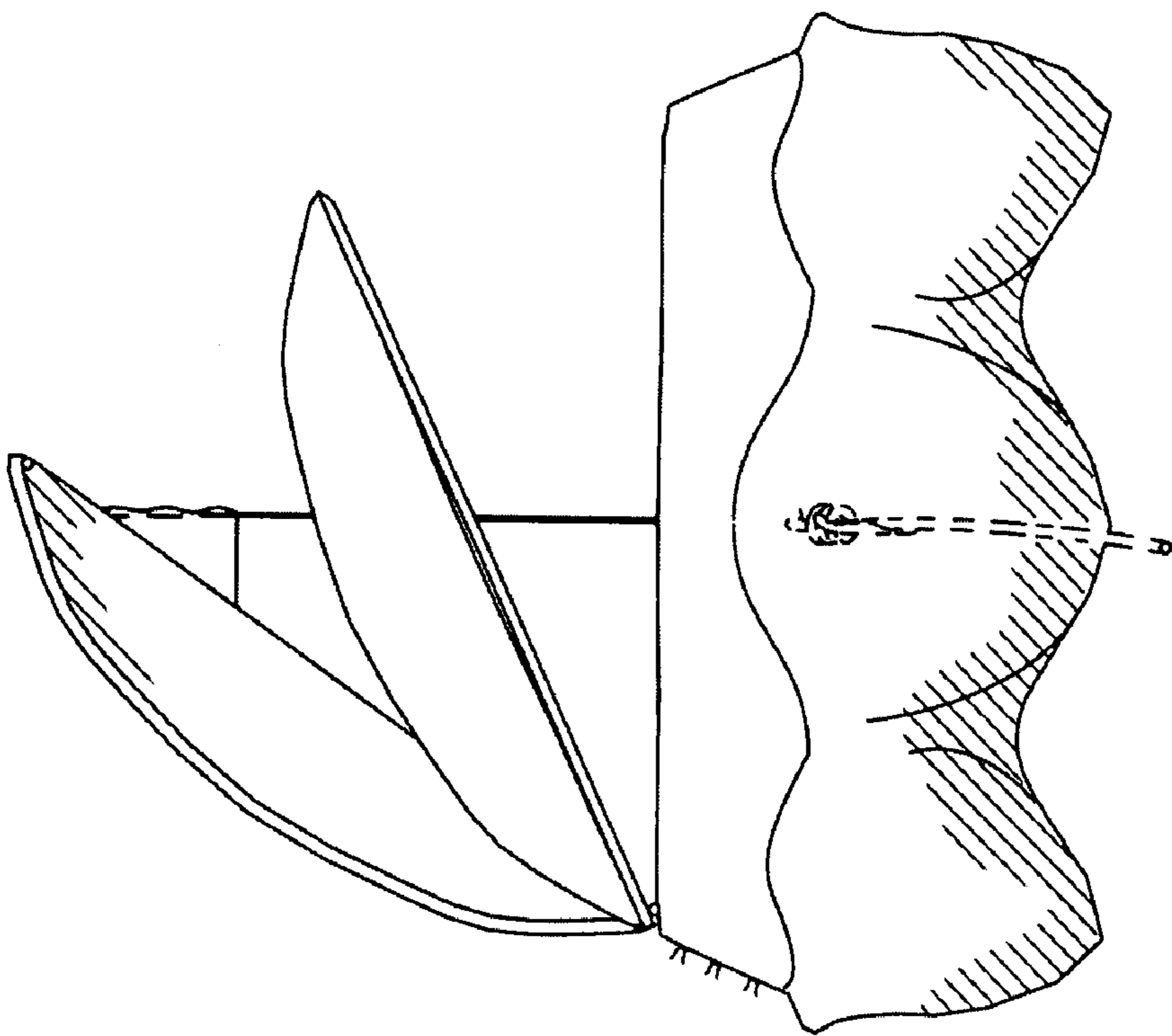


Fig. 2

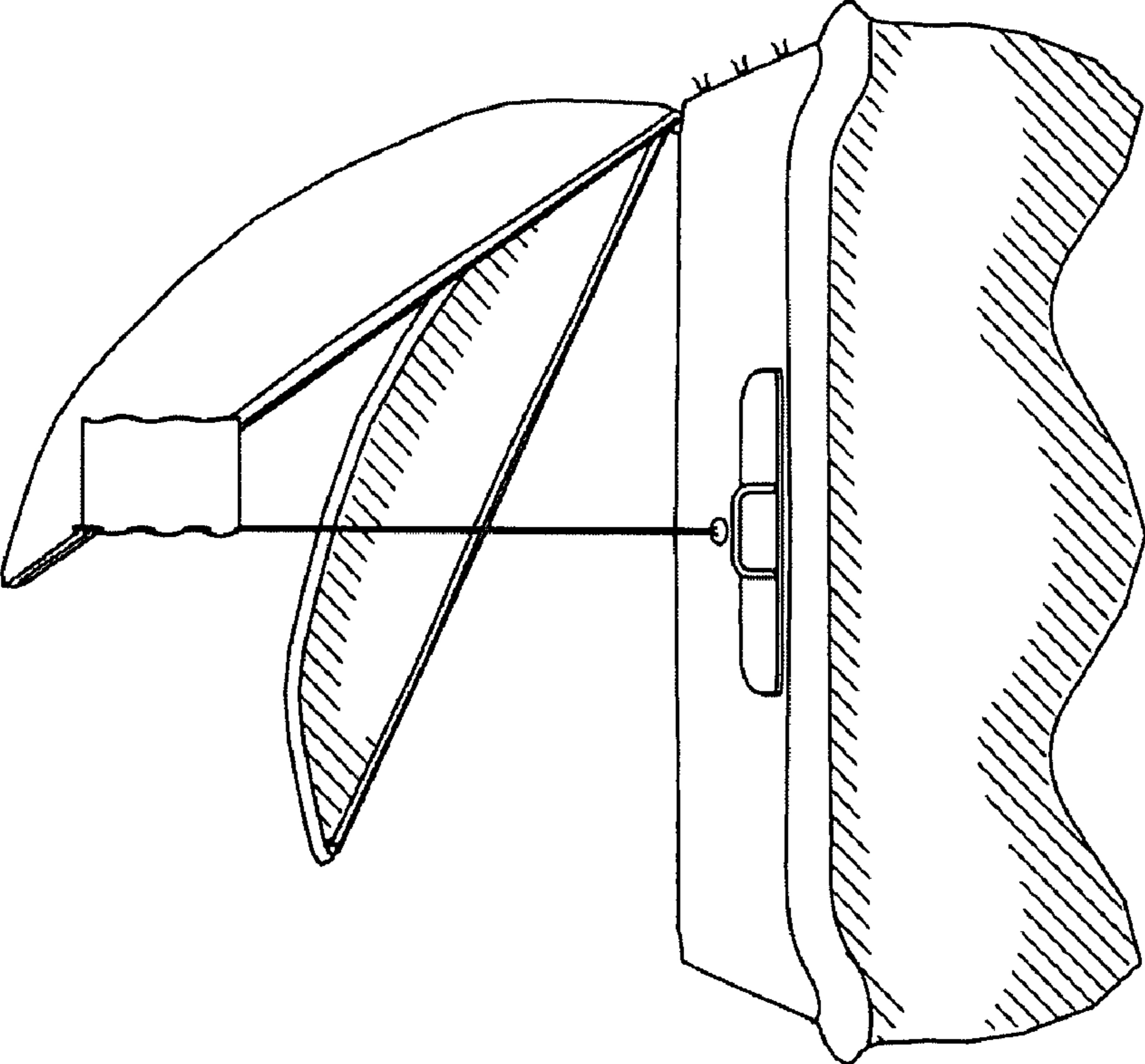


Fig. 3

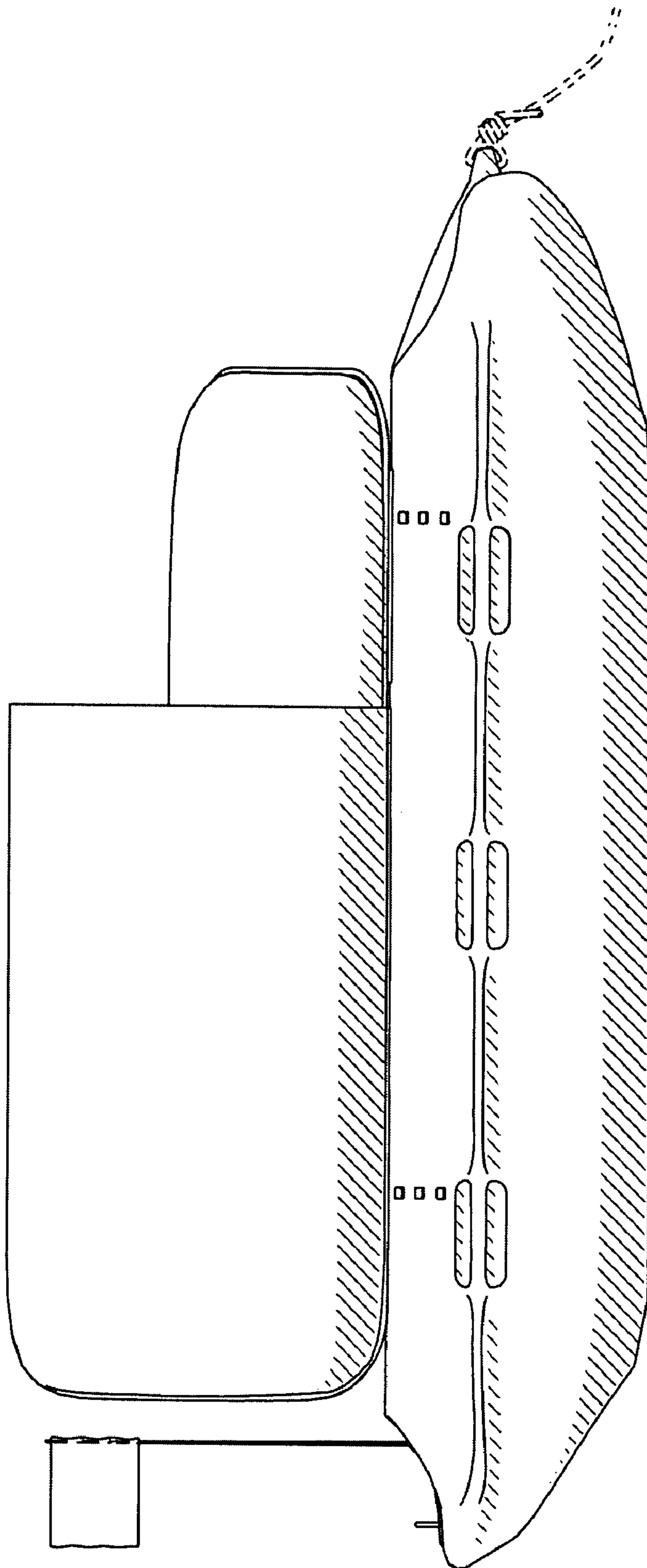


Fig. 4

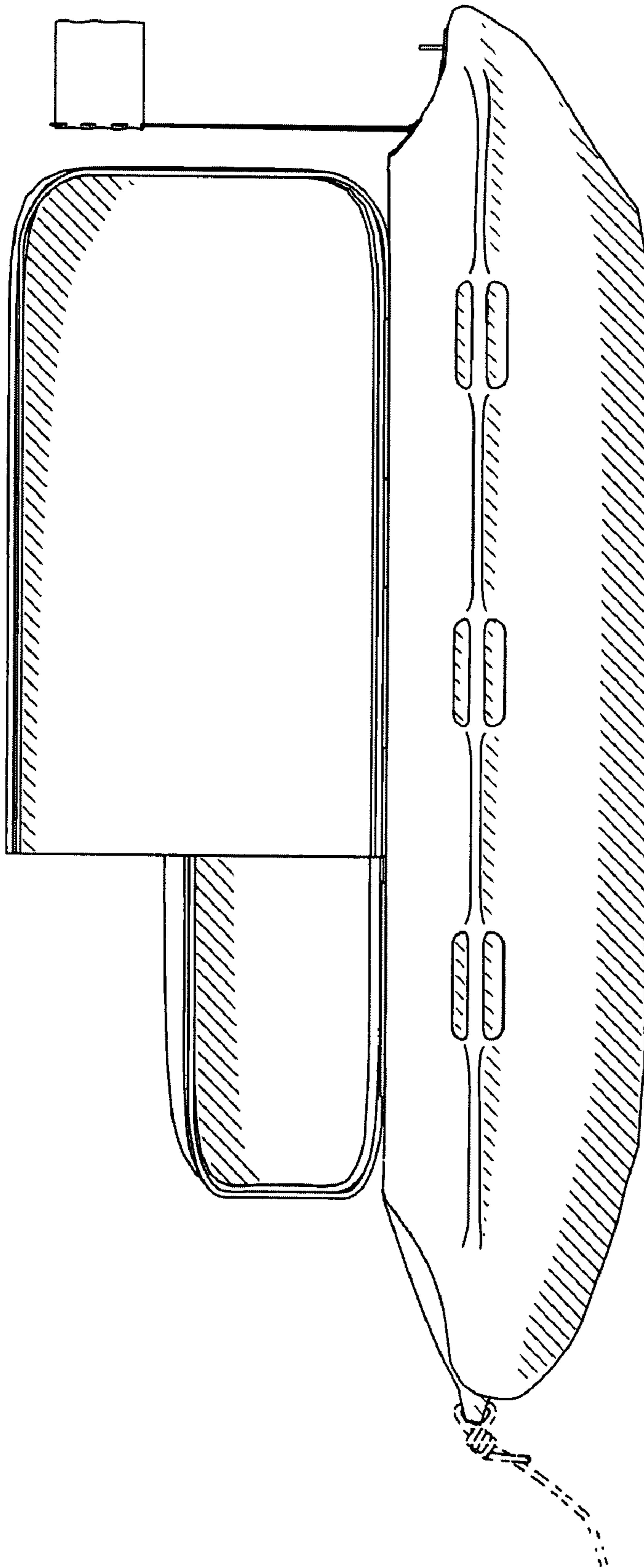


Fig. 5

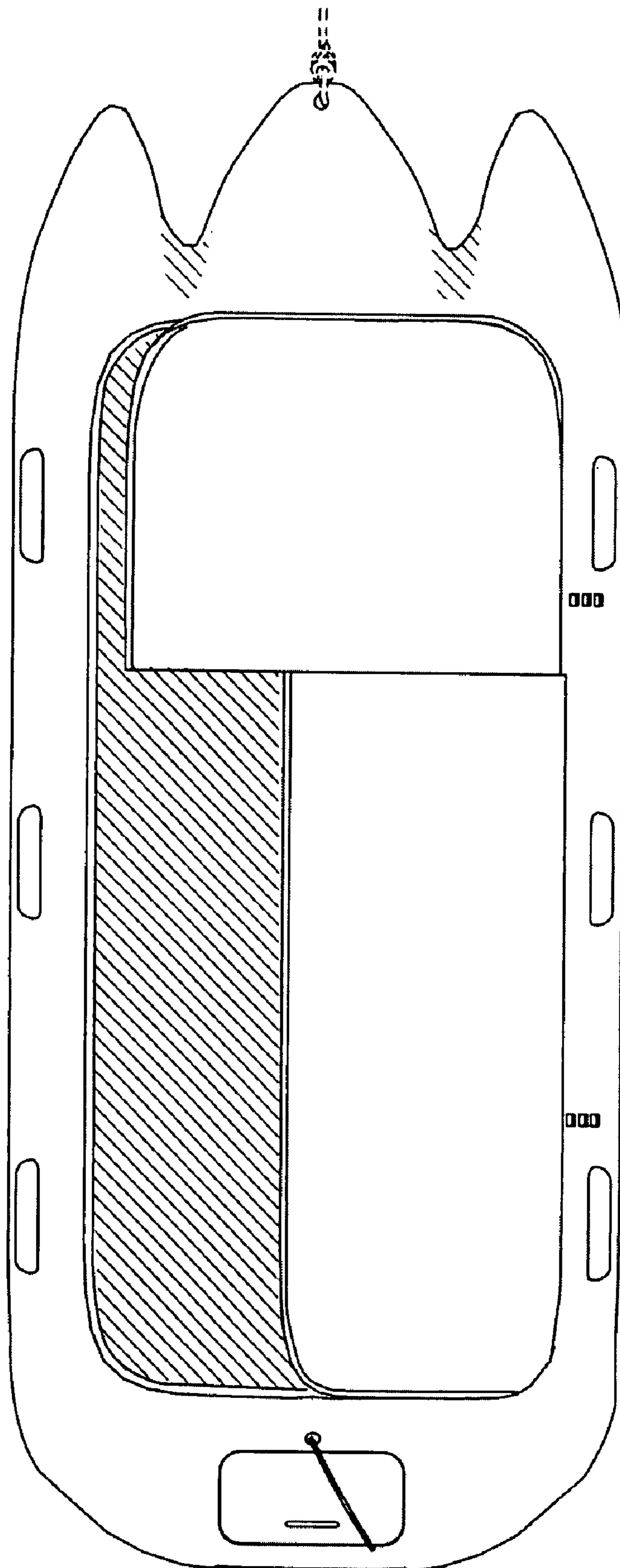


Fig. 6

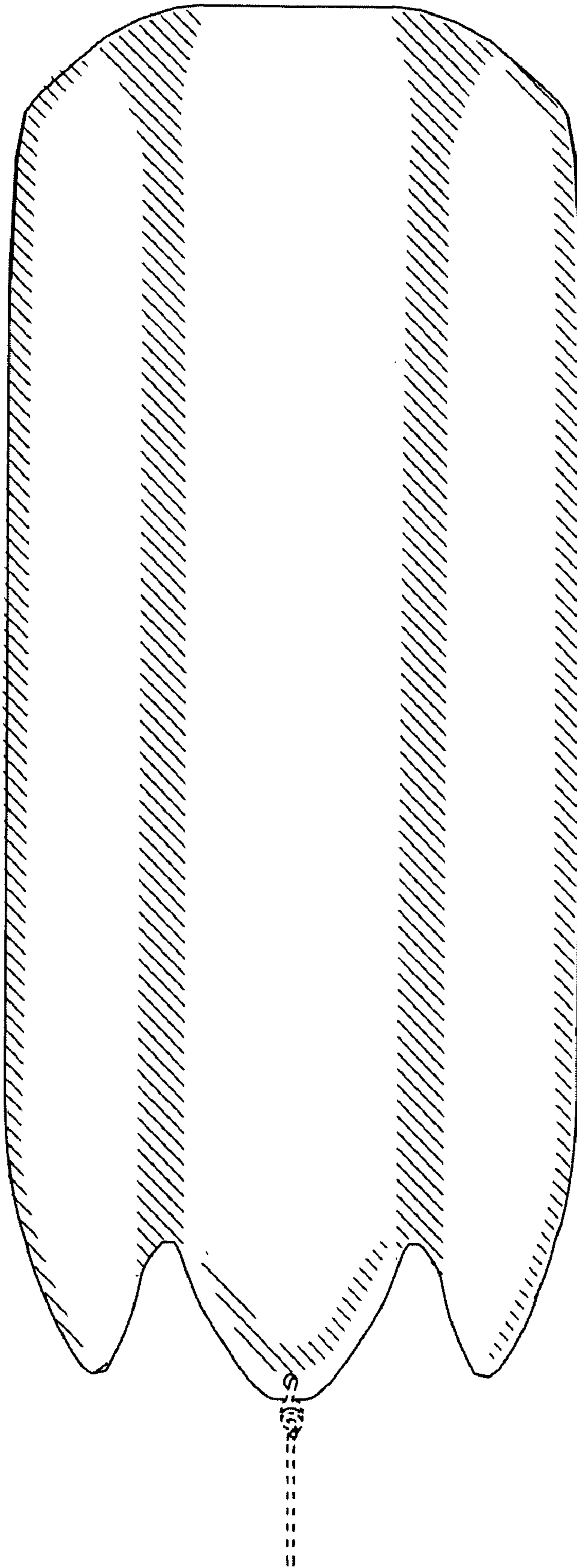


Fig. 7