



US00D569193S

(12) **United States Design Patent**
El Ghouyel

(10) **Patent No.:** **US D569,193 S**

(45) **Date of Patent:** **** May 20, 2008**

(54) **FOOD CONTAINER**

(75) Inventor: **Karim El Ghouyel**, Paris (FR)

(73) Assignee: **Bledina**, Villefranche-sur-Saone (FR)

(**) Term: **14 Years**

(21) Appl. No.: **29/279,724**

(22) Filed: **May 7, 2007**

(30) **Foreign Application Priority Data**

Nov. 15, 2006 (EM) 000621966

(51) **LOC (8) Cl.** **07-01**

(52) **U.S. Cl.** **D7/602; D7/629**

(58) **Field of Classification Search** D7/602,
D7/629, 541, 546, 548, 549, 538-542; 9/737,
9/761; 220/780-806, 203.01, 574-575; 229/406,
229/407

See application file for complete search history.

(56) **References Cited**

U.S. PATENT DOCUMENTS

D395,985 S * 7/1998 Krupa et al. D7/629

D434,276 S * 11/2000 Obra D7/555

D467,125 S * 12/2002 Orr et al. D7/541

D480,277 S * 10/2003 Claypool D7/629

D489,579 S * 5/2004 Wright D7/629

D530,625 S * 10/2006 Darin D9/761

* cited by examiner

Primary Examiner—Terry A Wallace

(74) *Attorney, Agent, or Firm*—Hughes Hubbard & Reed
LLP; Ronald Abramson; Jason Liu

(57) **CLAIM**

The ornamental design for a food container, as shown and described.

DESCRIPTION

FIG. 1 is a perspective view of a food container showing my new design;

FIG. 2 is a top view thereof;

FIG. 3 is a bottom view thereof;

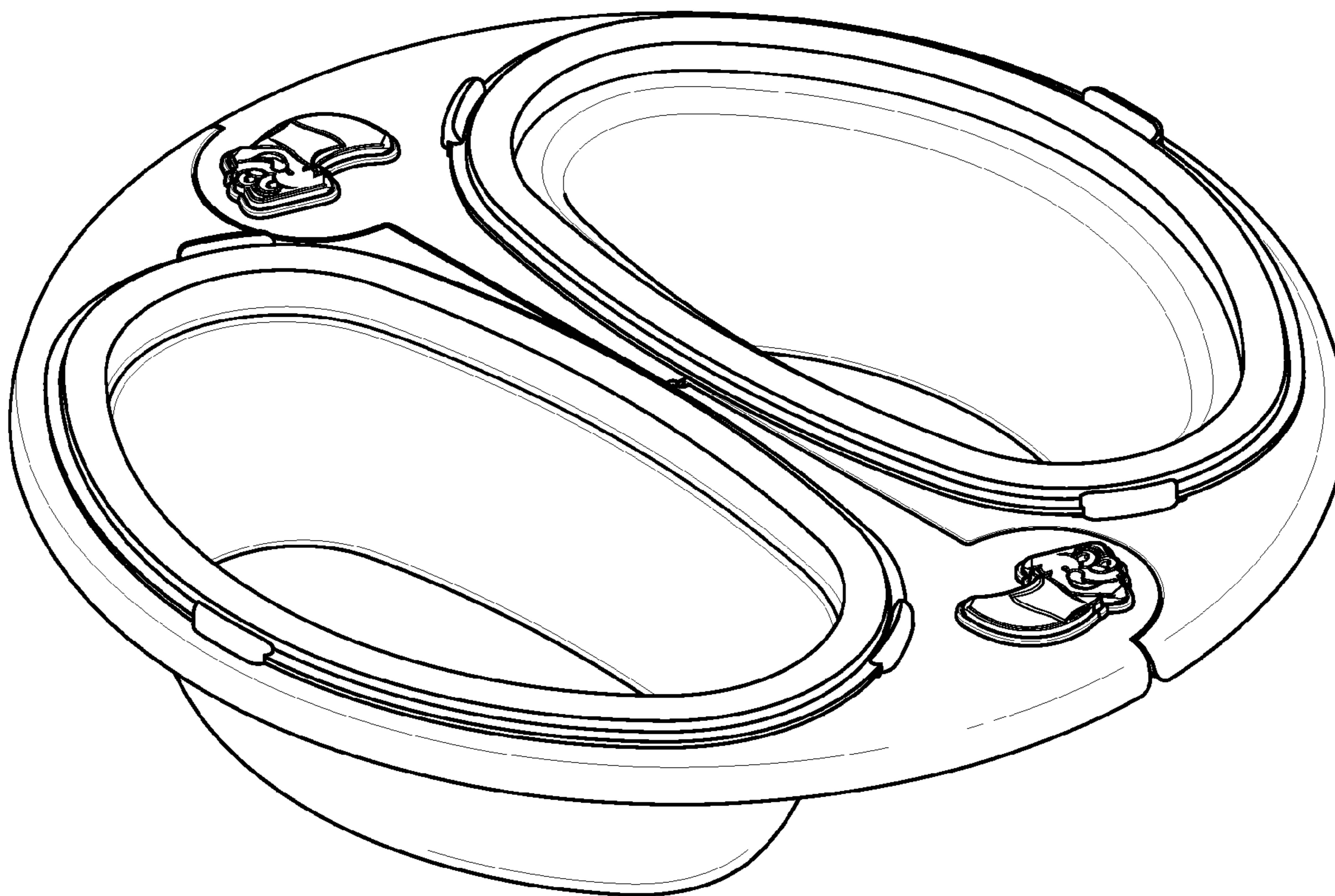
FIG. 4 is a right side view thereof;

FIG. 5 is a left side view thereof;

FIG. 6 is a back side view thereof; and,

FIG. 7 is front side view thereof.

1 Claim, 7 Drawing Sheets



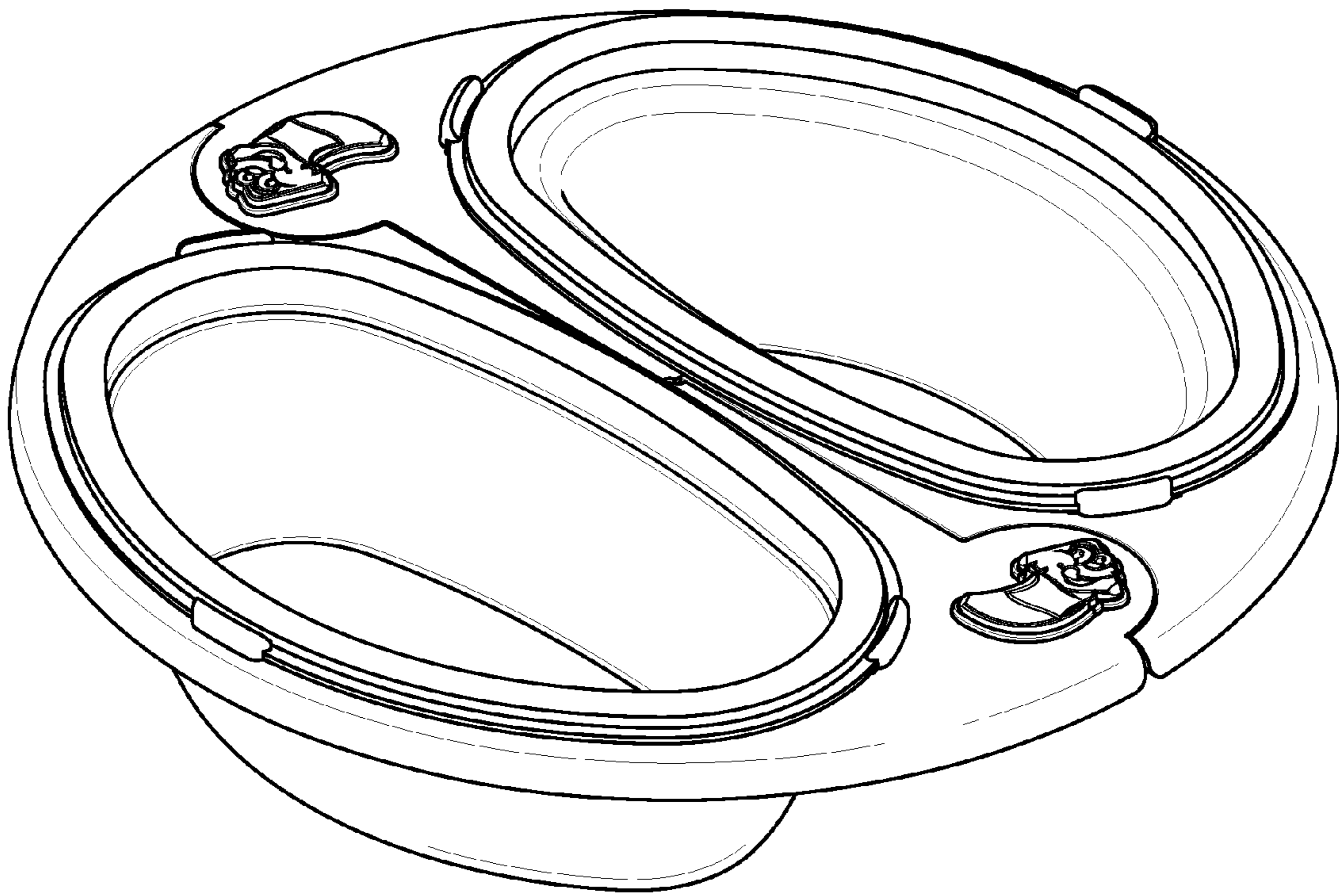


Fig. 1

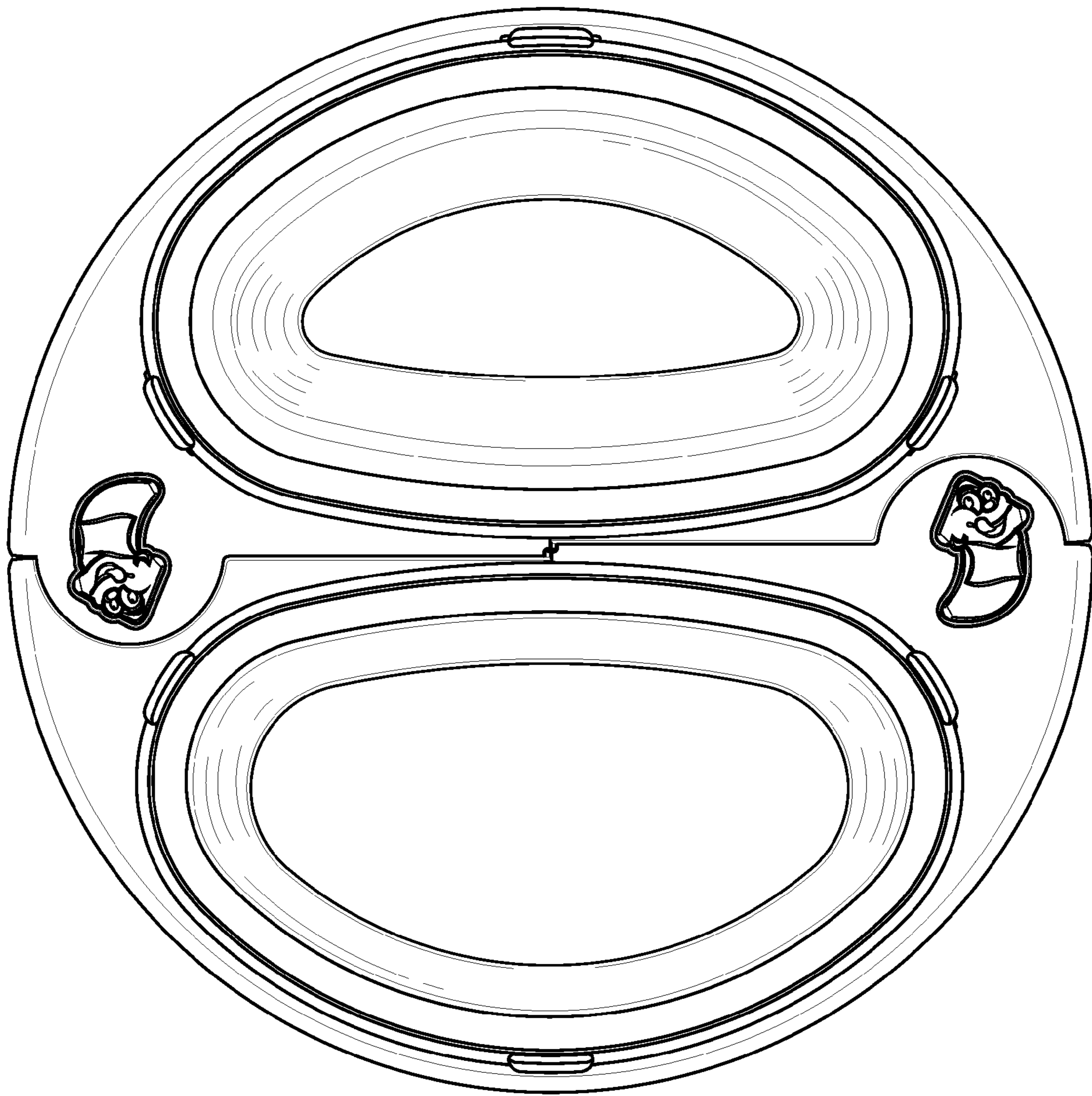


Fig. 2

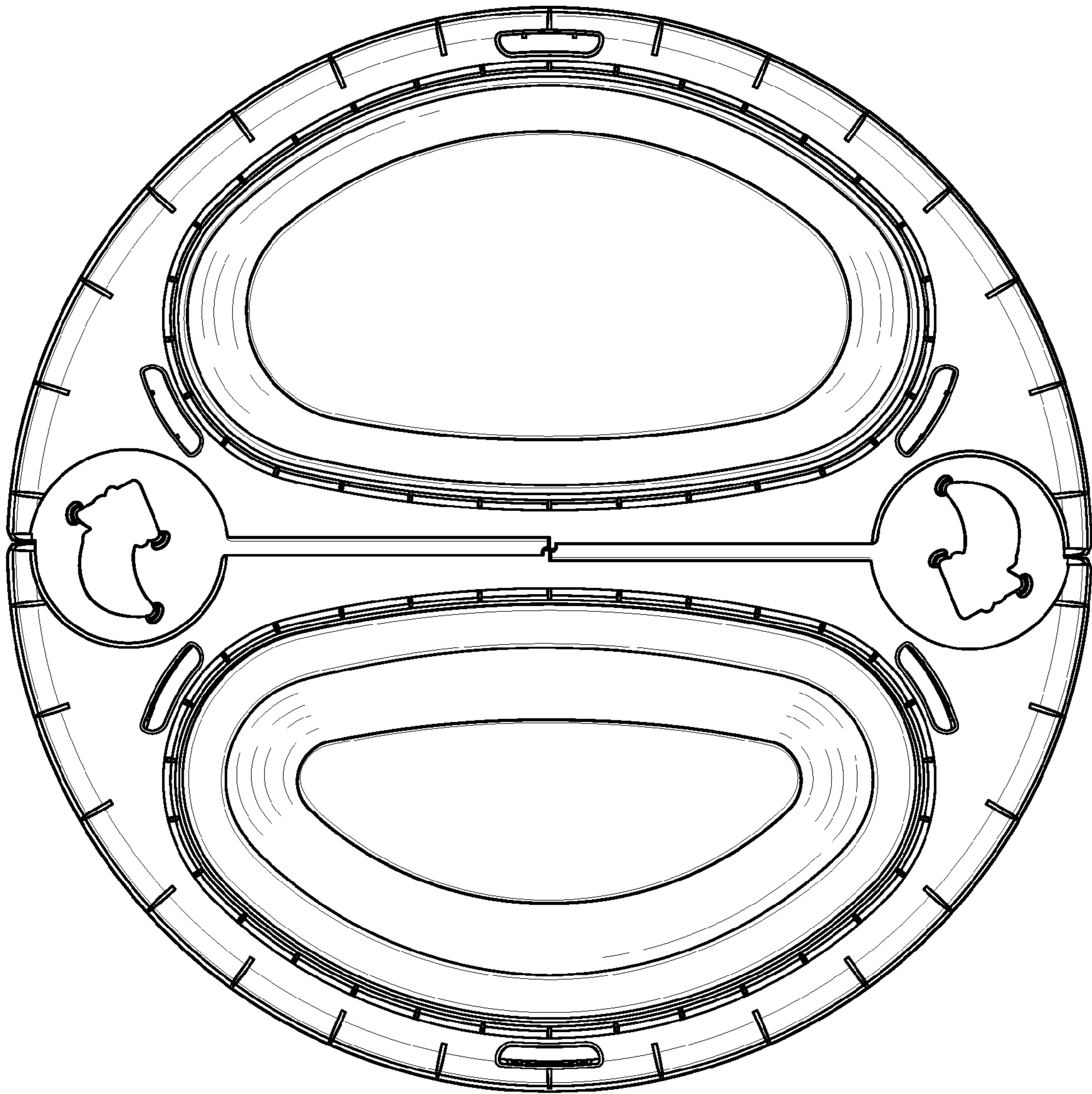


Fig. 3

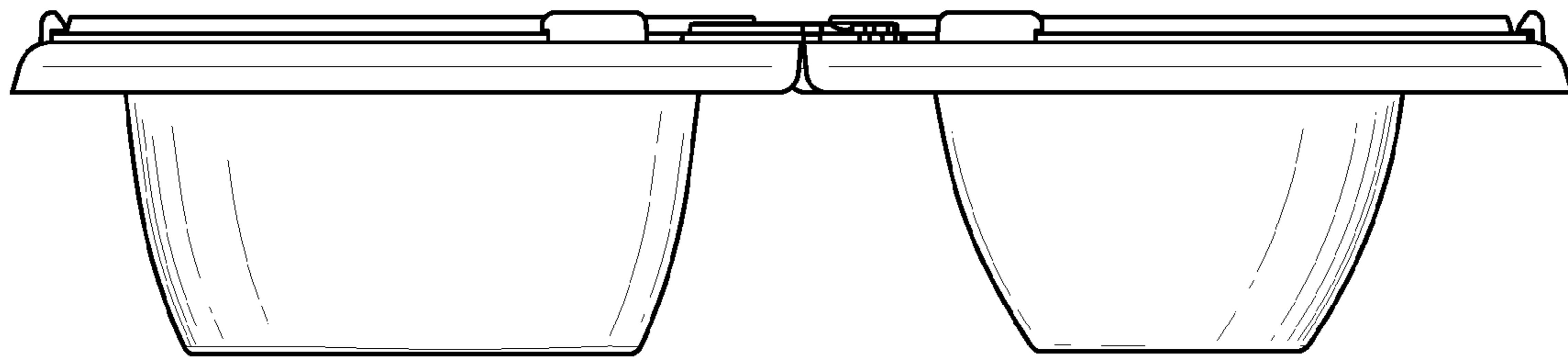


Fig. 4

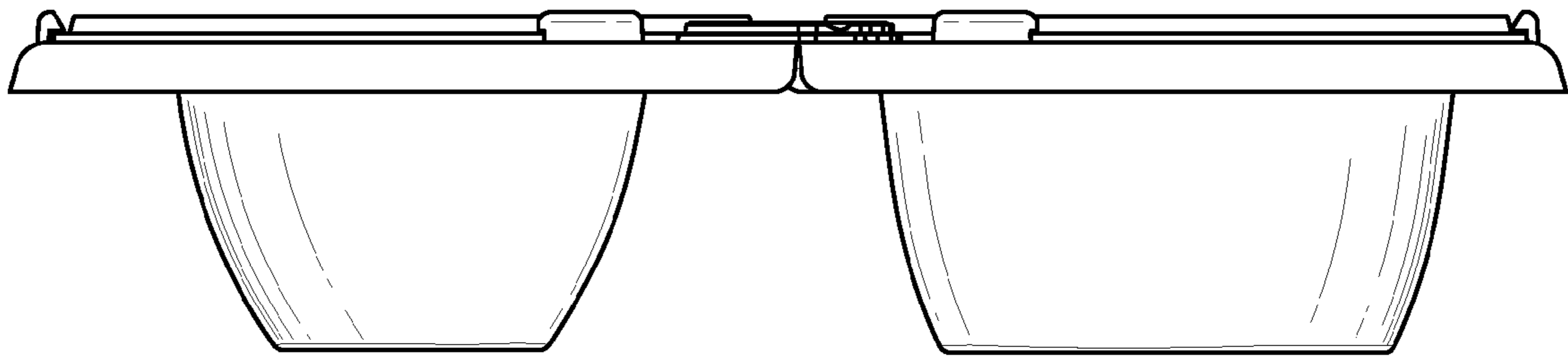


Fig. 5

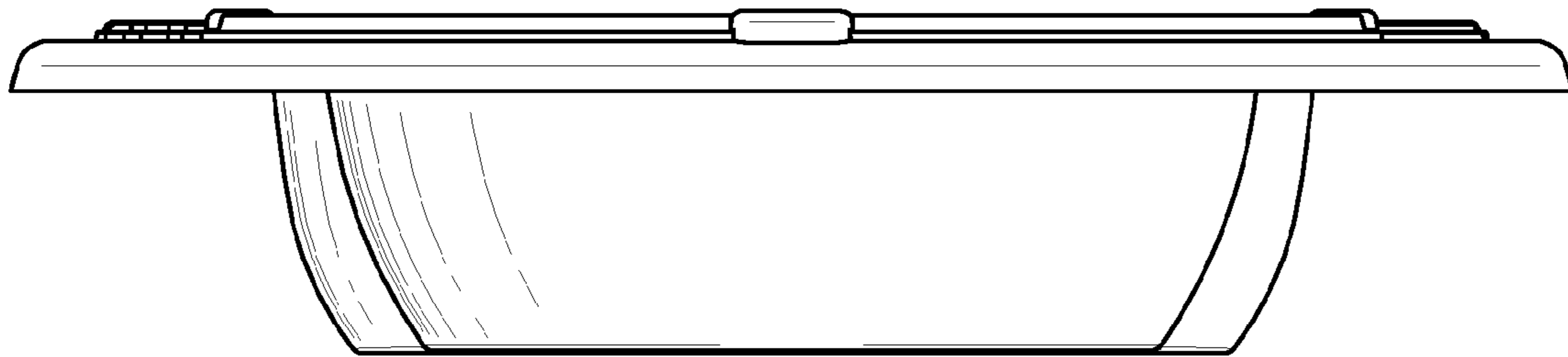


Fig. 6

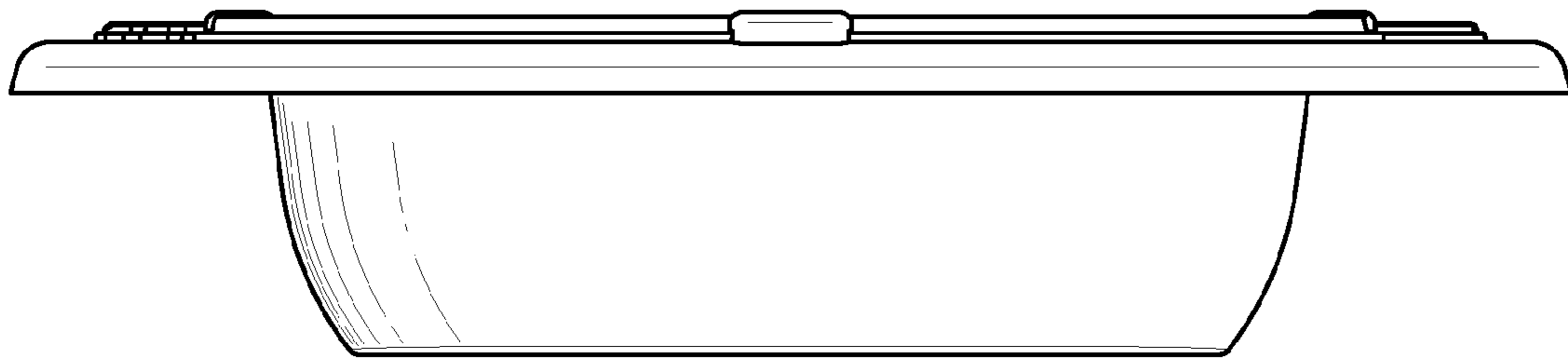


Fig. 7