



US00D569189S

(12) **United States Design Patent**
Kehrein et al.

(10) **Patent No.:** **US D569,189 S**

(45) **Date of Patent:** **** May 20, 2008**

(54) **GLASS**

(75) Inventors: **Carsten Kehrein**, Koblenz (DE); **Alan Jack Johan Laninga**, Maple Ridge (CA)

(73) Assignee: **BBC Brands, LLC**, Boston, MA (US)

(**) Term: **14 Years**

(21) Appl. No.: **29/276,198**

(22) Filed: **Jan. 18, 2007**

(51) **LOC (8) Cl.** **07-01**

(52) **U.S. Cl.** **D7/523; D7/509**

(58) **Field of Classification Search** D7/396.2, D7/500, 509, 510, 523, 524, 526-528, 530-532, D7/540, 565, 584, 900, 535; D9/500, 502, D9/516, 519, 549, 555, 776, 778; D34/1; 215/10, 387, DIG. 7; 220/495.04, 560, 592.16, 220/592.17, 703; 226/406; 229/400; 383/110
See application file for complete search history.

(56) **References Cited**

U.S. PATENT DOCUMENTS

D96,737 S *	9/1935	Funfrock	D7/523
D99,508 S *	5/1936	Hutchison	D7/523
D108,788 S *	3/1938	Kostellow	D7/523
D110,280 S *	6/1938	Fuerst	D7/523
D383,037 S *	9/1997	Asberg	D7/511
D404,254 S *	1/1999	Asberg	D7/511
5,909,820 A *	6/1999	Yeh	220/711
D437,230 S *	2/2001	Andrew	D9/516
D454,278 S *	3/2002	Kerman	D7/509
D469,658 S *	2/2003	Norris et al.	D7/523

D506,641 S *	6/2005	Liu	D7/523
D526,848 S *	8/2006	Bodum	D7/523
D528,861 S *	9/2006	Herrera	D7/510

* cited by examiner

Primary Examiner—Philip S. Hyder

Assistant Examiner—Cynthia Underwood

(74) *Attorney, Agent, or Firm*—Dorsey & Whitney LLP

(57) **CLAIM**

The ornamental design of the glass, as shown and described.

DESCRIPTION

FIG. 1 is a side view of a first exemplary embodiment of a glass showing our new design;

FIG. 2 is a perspective view of the glass of FIG. 1;

FIG. 3 is a top view of the glass of FIG. 1;

FIG. 4 is a bottom view of the glass of FIG. 1;

FIG. 5 is a front view of a second exemplary embodiment of a glass showing our new design;

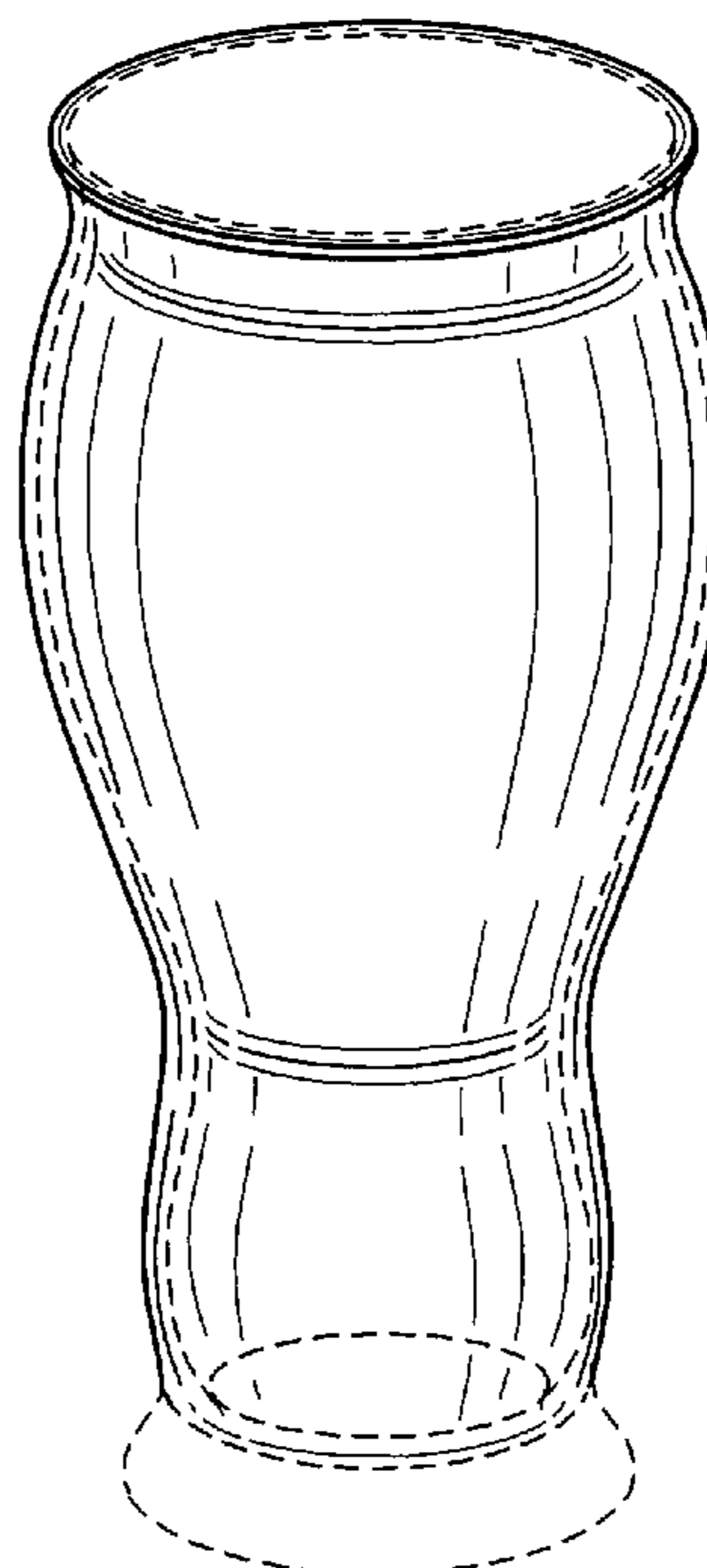
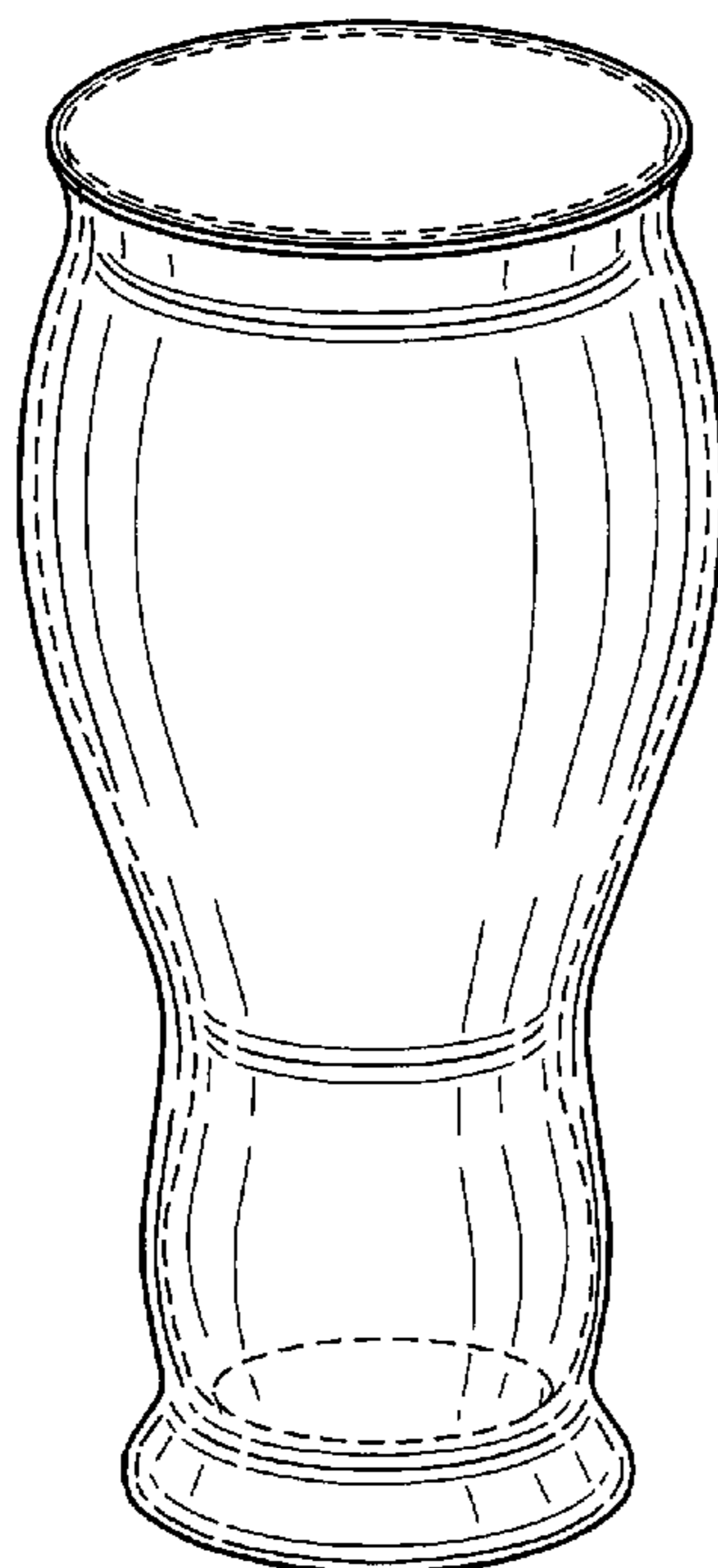
FIG. 6 is a perspective view of the glass of FIG. 5;

FIG. 7 is a top view of the glass of FIG. 5; and,

FIG. 8 is a bottom view of the glass of FIG. 5.

The broken lines are provided for illustrative purposes only, and form no part of the claimed design. In addition, shadings are provided for illustrative purposes only, and do not form any portion of the claimed design. Further, the portions of the glass that are not shown in the drawings do not form any part of the claimed design.

1 Claim, 4 Drawing Sheets



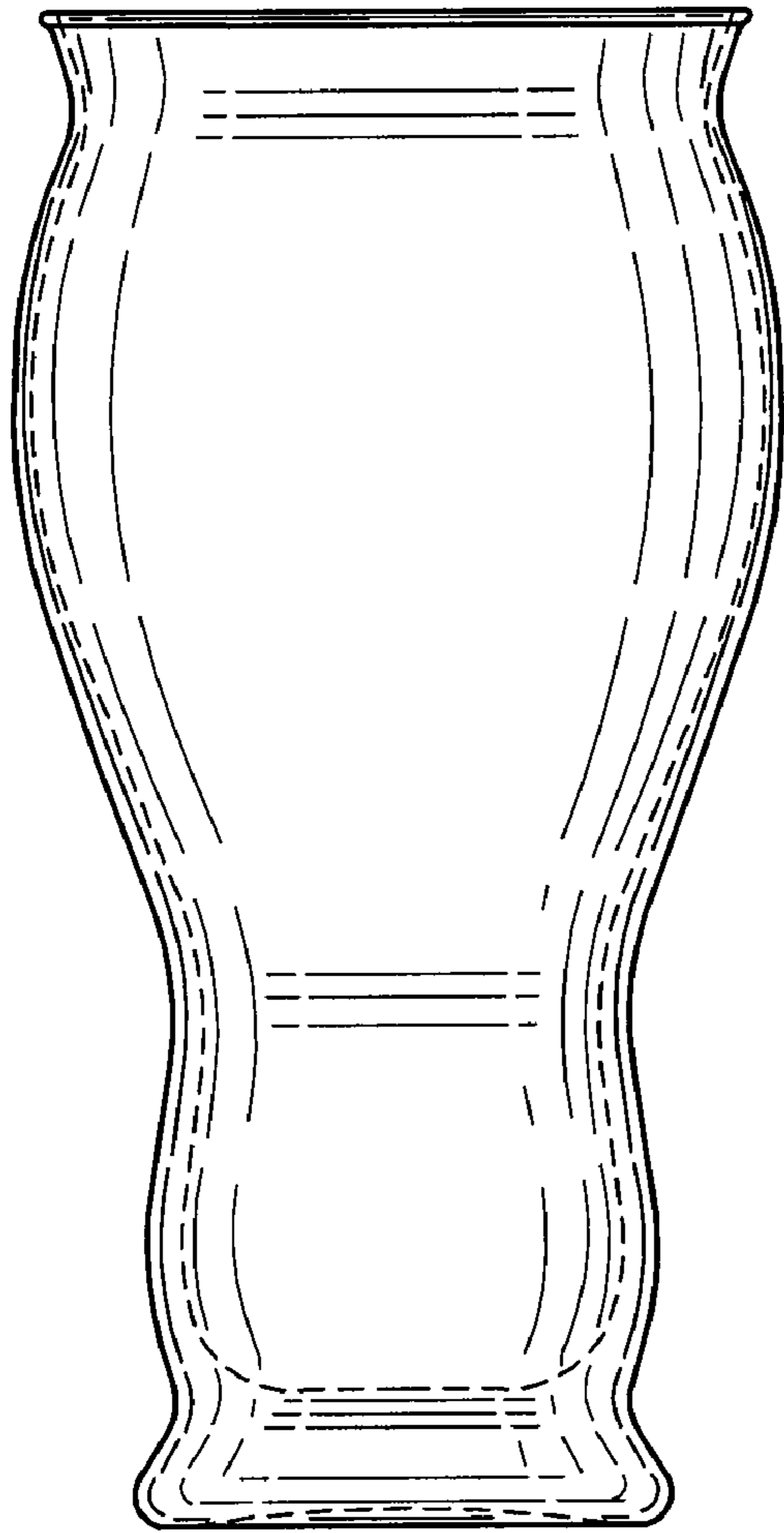


FIG. 1

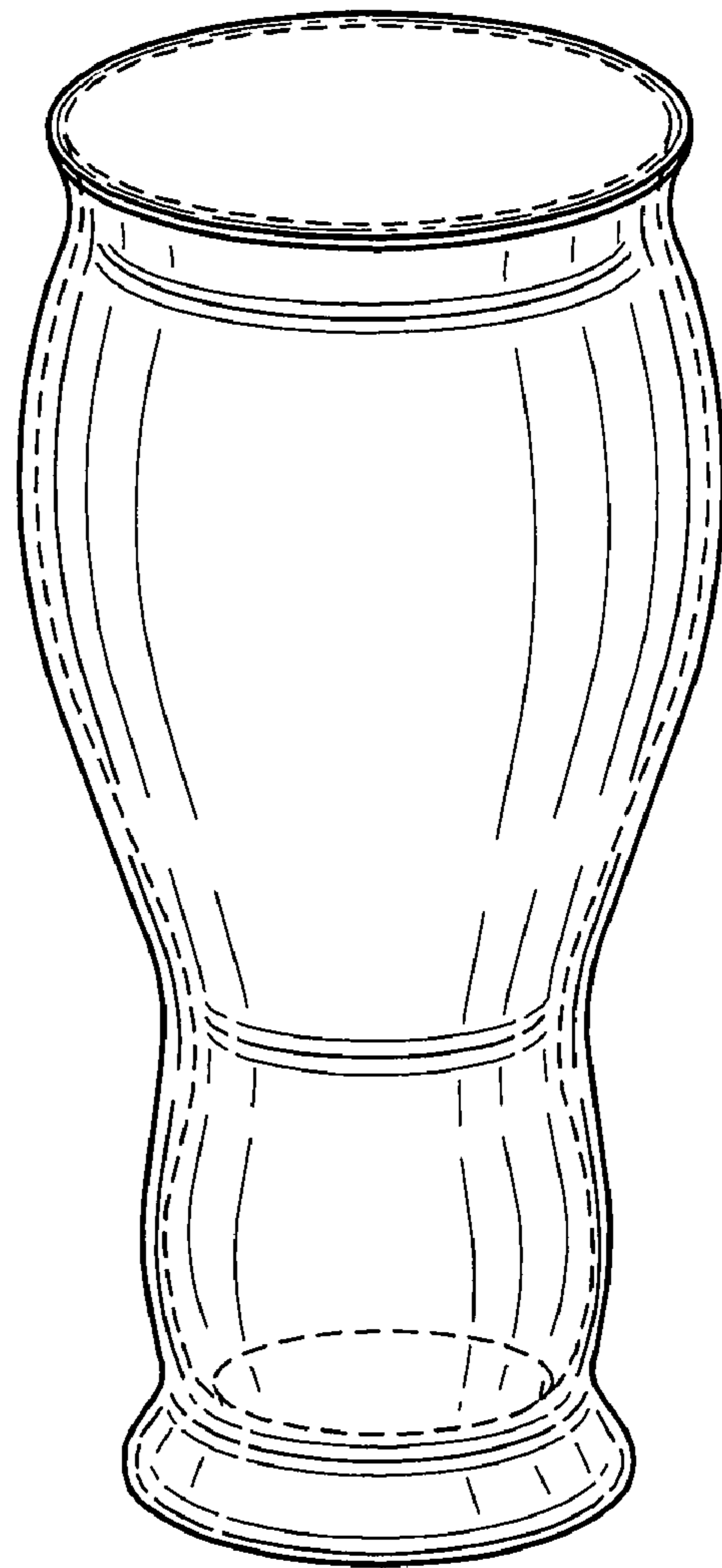


FIG. 2

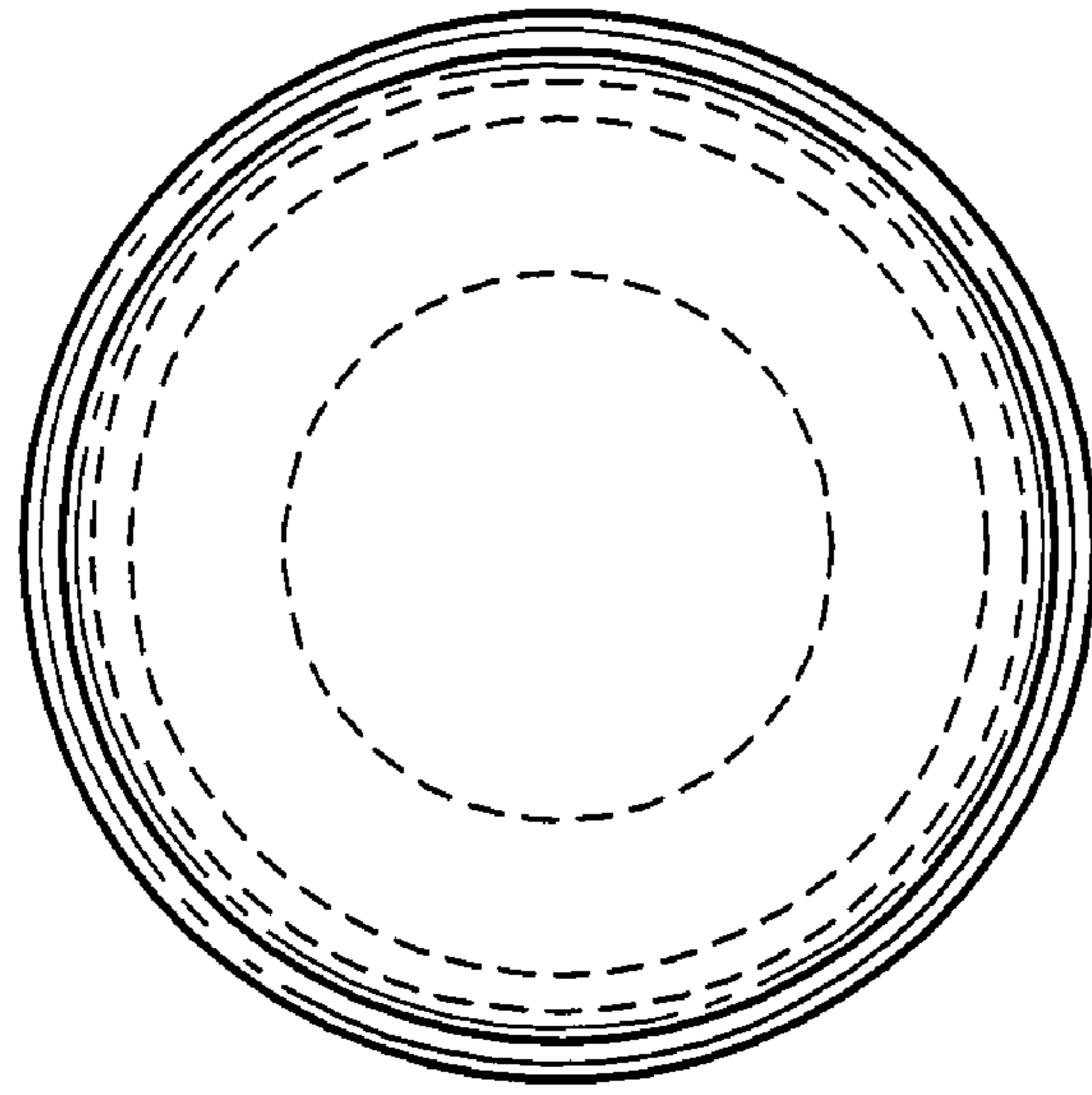


FIG. 3

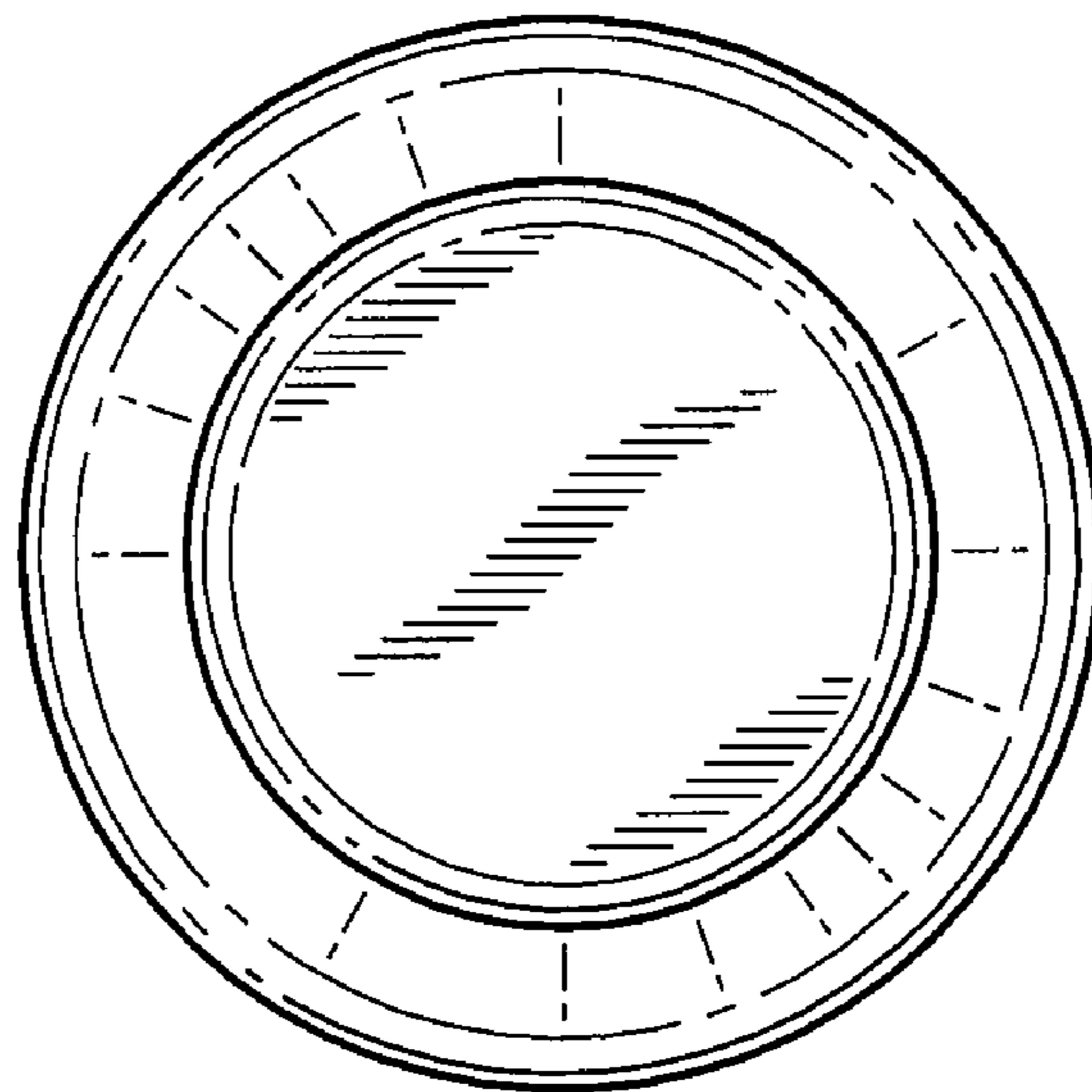


FIG. 4

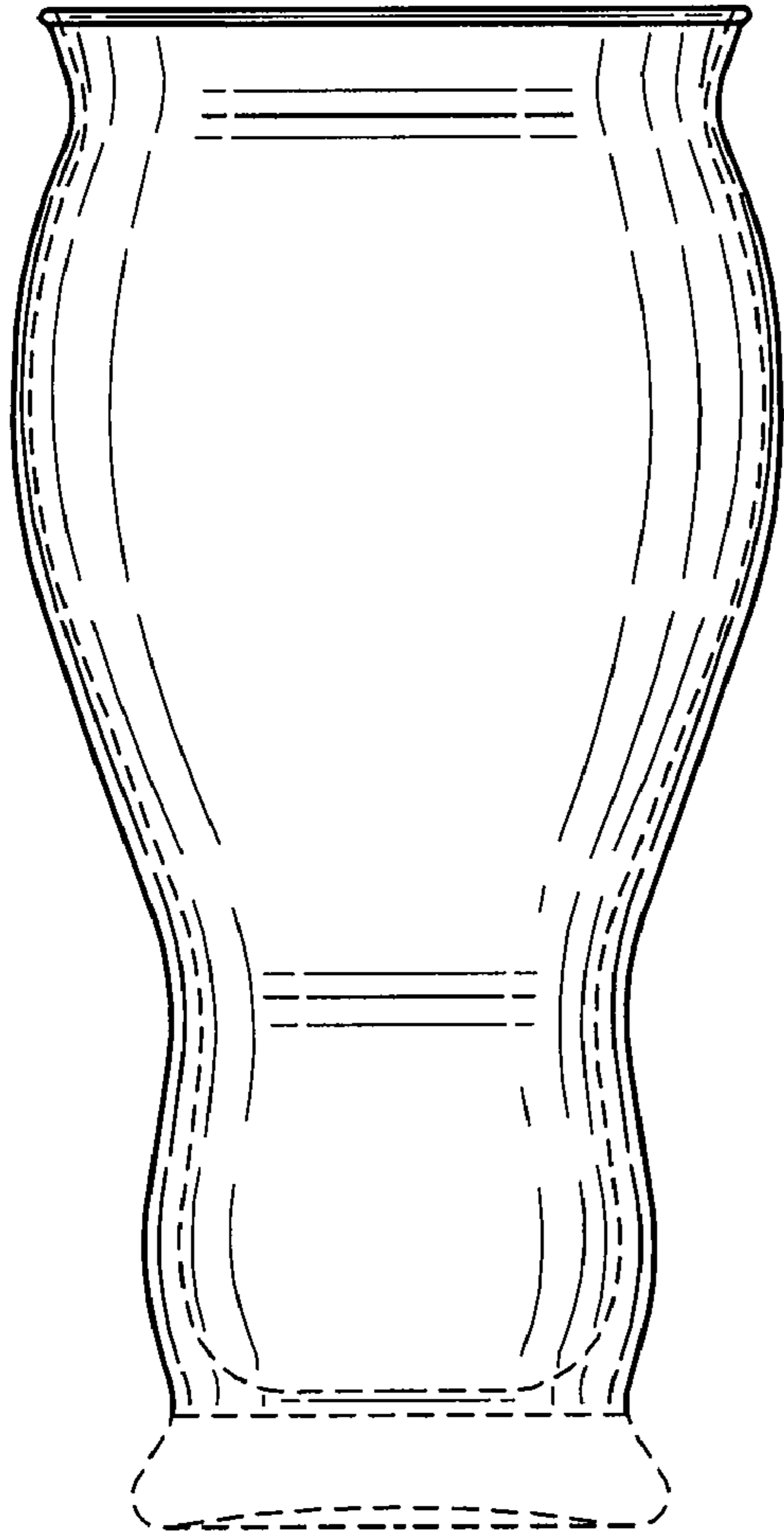


FIG. 5

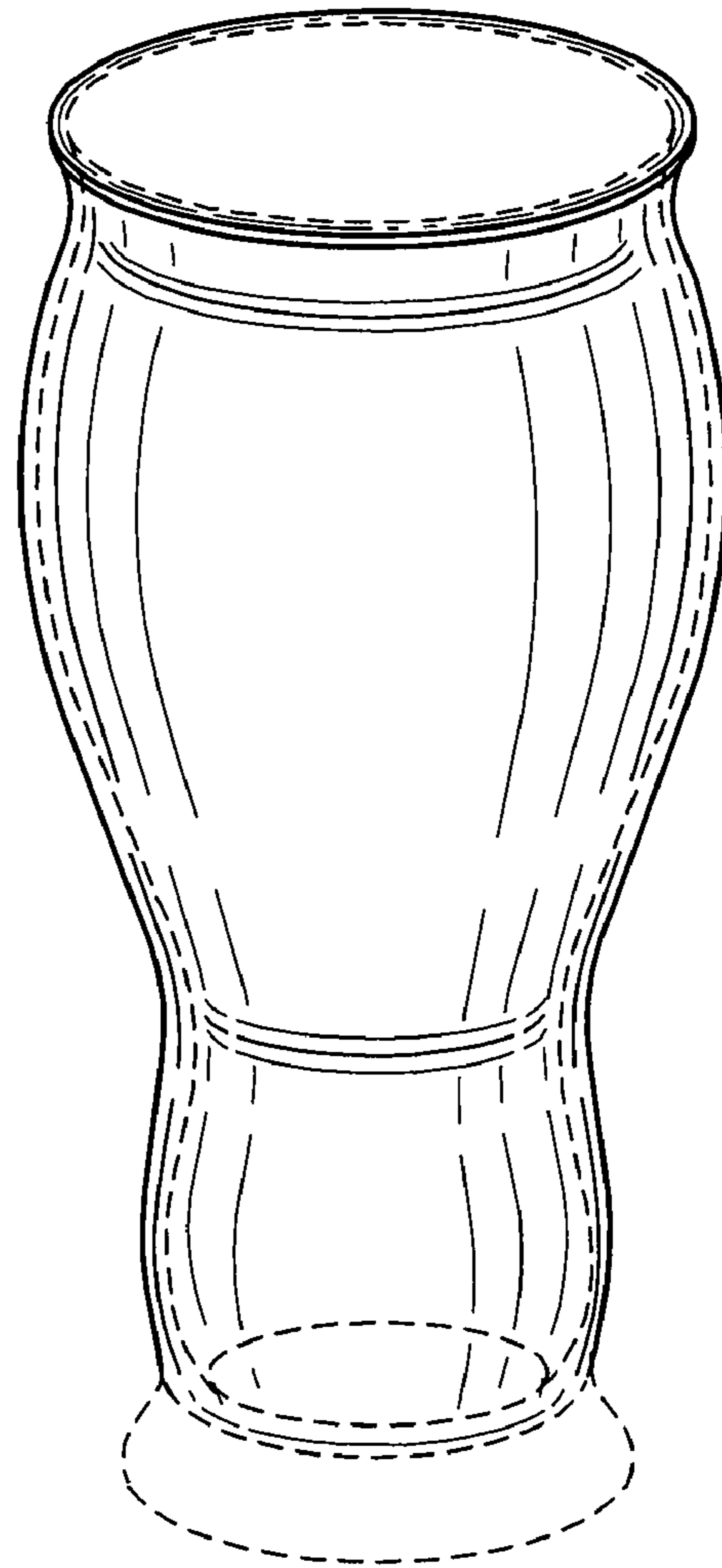


FIG. 6

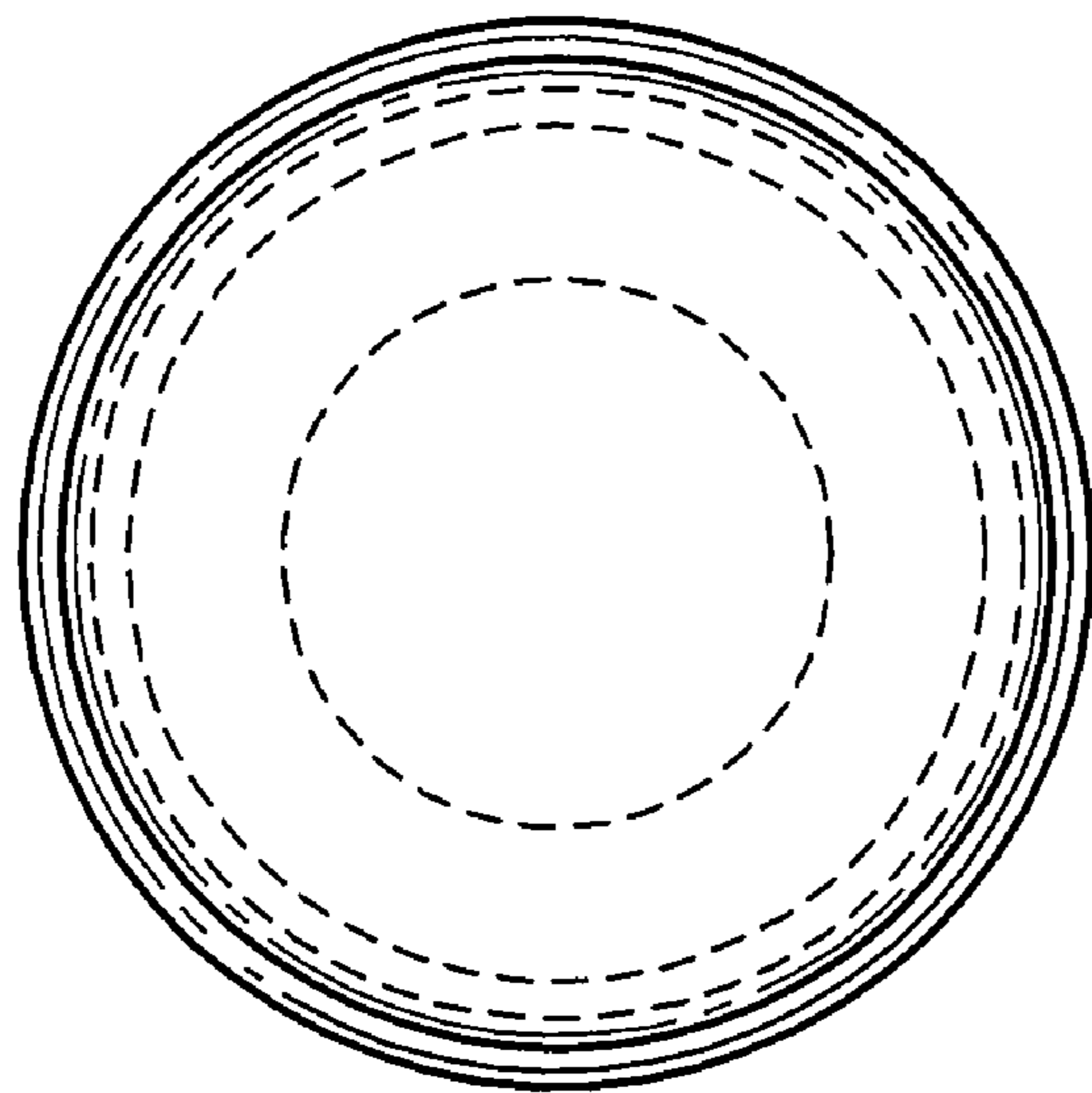


FIG. 7

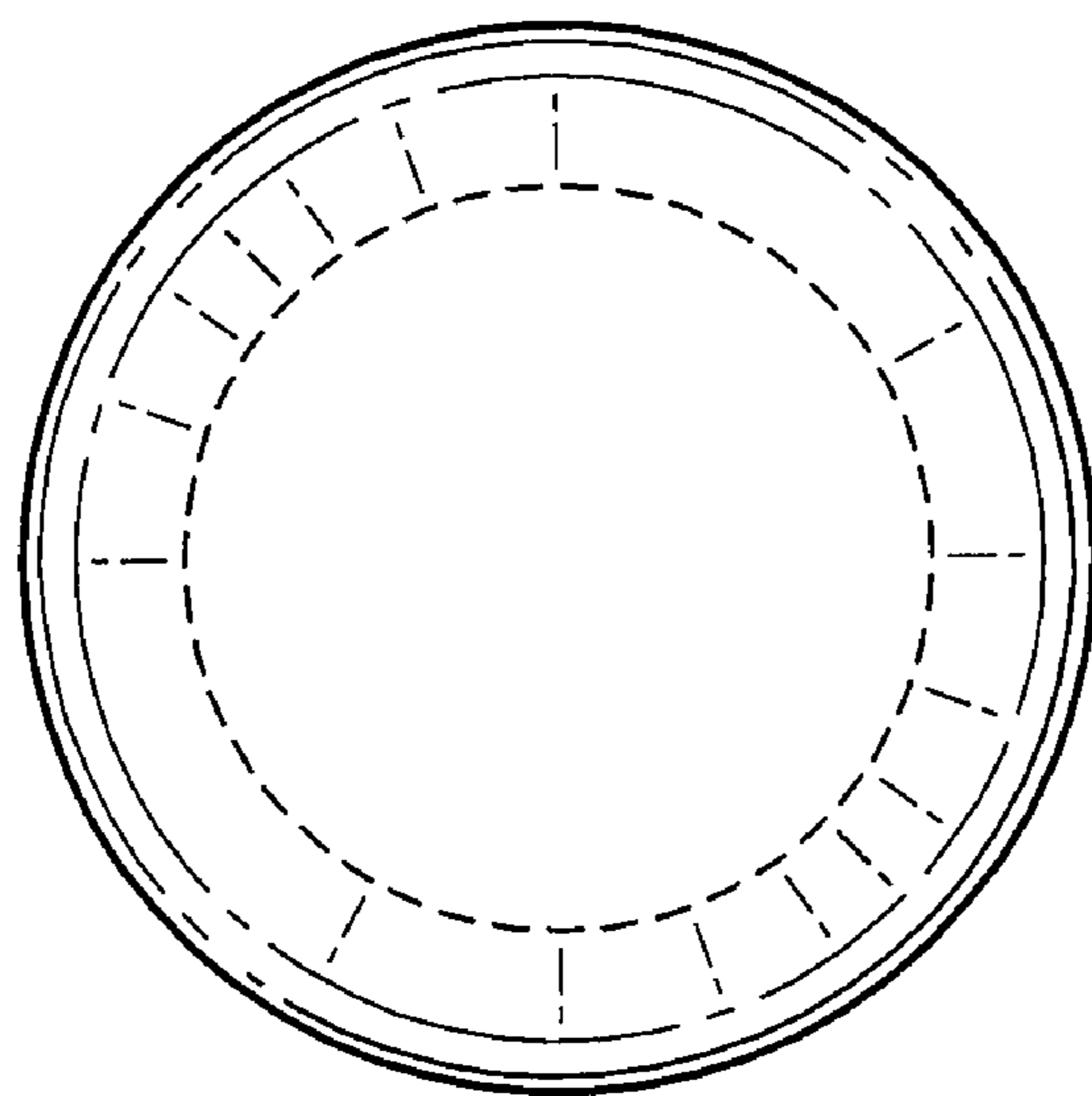


FIG. 8