

US00D569180S

(12) **United States Design Patent**
Rathburn

(10) **Patent No.:** **US D569,180 S**

(45) **Date of Patent:** **** May 20, 2008**

(54) **OUTDOOR GRILL**

(76) Inventor: **Rod Rathburn**, 11520 120th St. N.,
Stillwater, MN (US) 55082

(**) Term: **14 Years**

(21) Appl. No.: **29/267,666**

(22) Filed: **Oct. 18, 2006**

(51) **LOC (8) Cl.** **07-02**

(52) **U.S. Cl.** **D7/409**

(58) **Field of Classification Search** D6/405,
D6/449, 464, 596; D7/323, 334-337, 352-363,
D7/378, 386, 388, 402-409, 417, 556; 99/324,
99/340, 375, 402, 422-427, 421 G, 421 H,
99/421 R, 444, 446, 481-482; 126/9 B,
126/9 R, 29, 30, 25 A, 25 AA, 25 B, 25 R,
126/41 R, 50, 276, 332, 334; 211/134-135,
211/153, 215; 220/573.1, 912; 312/236;
426/314

See application file for complete search history.

(56) **References Cited**

U.S. PATENT DOCUMENTS

5,002,036 A * 3/1991 Kelly 126/25 R
5,333,540 A * 8/1994 Mazzocchi 99/421 H

D380,933 S * 7/1997 Schlosser et al. D7/334
D386,937 S * 12/1997 Pai D7/334
D430,450 S * 9/2000 Chester D7/334
D440,793 S * 4/2001 Iannaccone D6/449
D466,367 S * 12/2002 Johnson et al. D7/402
D479,430 S * 9/2003 Chung D7/334
D538,058 S * 3/2007 Van Es D6/405
D550,983 S * 9/2007 Van Es D6/464

* cited by examiner

Primary Examiner—Caron D. Veynar

Assistant Examiner—Ricky Pham

(74) *Attorney, Agent, or Firm*—DL Tschida

(57) **CLAIM**

The ornamental design for an outdoor grill, as shown and described.

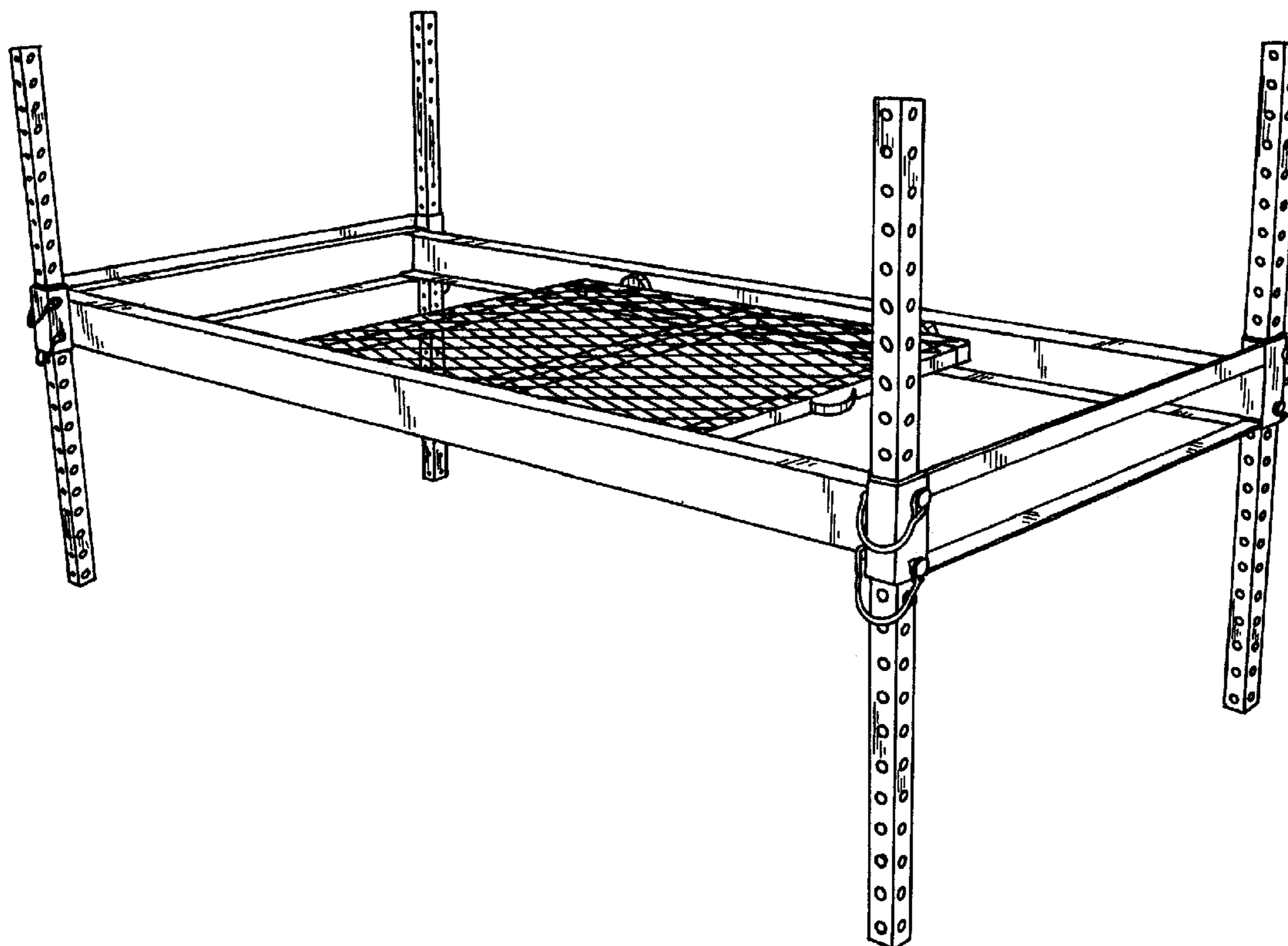
DESCRIPTION

FIG. 1 is a perspective view of an outdoor grill showing my new design.

FIG. 2 is a front view thereof and wherein the rear view is identical; and,

FIG. 3 is a right side view thereof and wherein the left side view is identical.

1 Claim, 3 Drawing Sheets



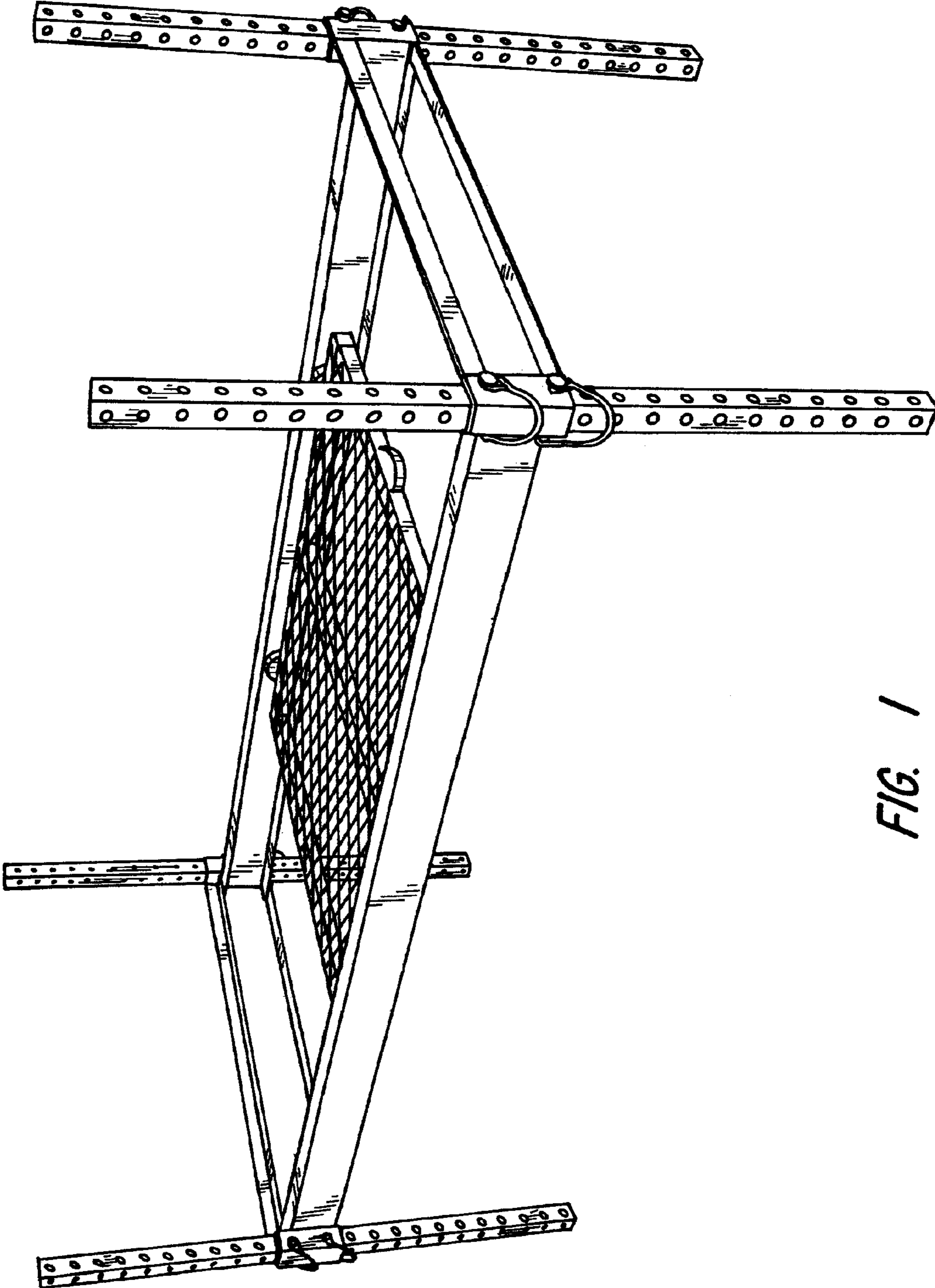


FIG. 1

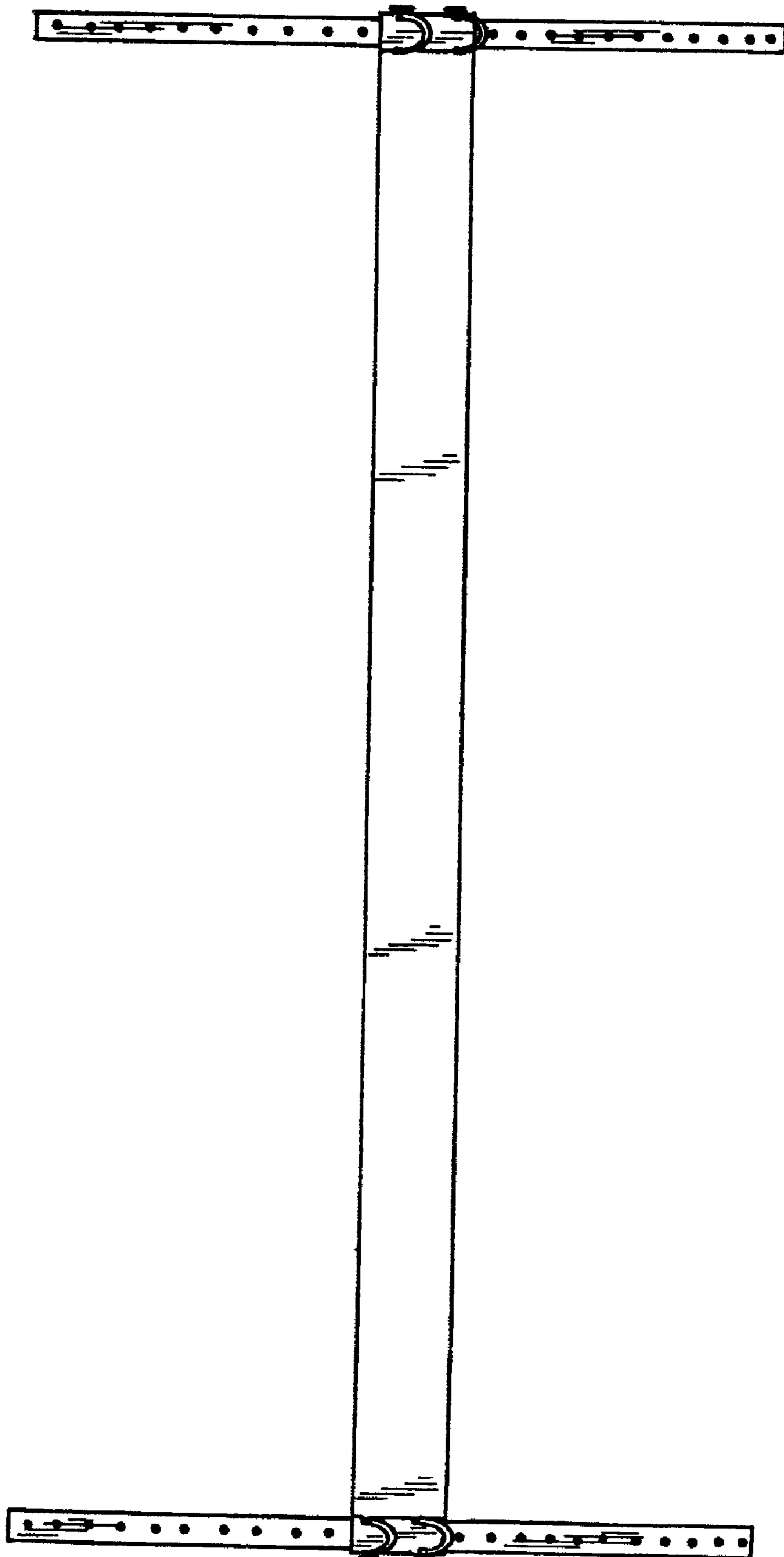


FIG. 2

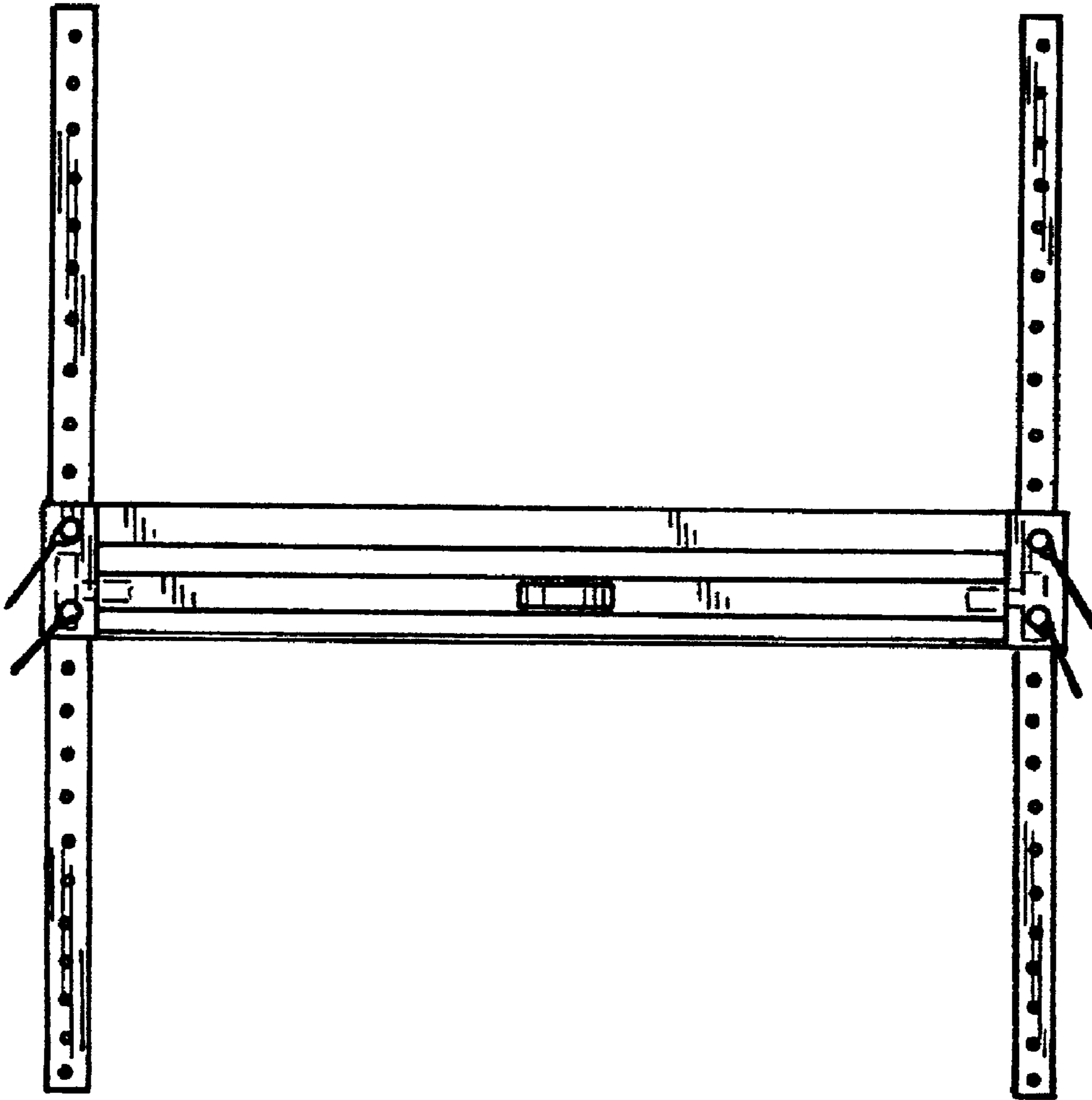


FIG. 3