

US00D569178S

(12) **United States Design Patent**
Crookshanks

(10) **Patent No.:** **US D569,178 S**

(45) **Date of Patent:** **** May 20, 2008**

(54) **PORTION OF AN APPLIANCE**

(75) **Inventor:** **Kent Allen Stephen Crookshanks,**
Anderson, SC (US)

(73) **Assignee:** **Electrolux Home Products, Inc.,**
Cleveland, OH (US)

(**) **Term:** **14 Years**

(21) **Appl. No.:** **29/297,510**

(22) **Filed:** **Nov. 13, 2007**

(51) **LOC (8) Cl.** **07-02**

(52) **U.S. Cl.** **D7/405**

(58) **Field of Classification Search** D7/339-341,
D7/346-349, 402, 405-406; 126/21 A, 21 R,
126/273 A, 39 B; 219/391-394
See application file for complete search history.

(56) **References Cited**

U.S. PATENT DOCUMENTS

D366,983 S *	2/1996	Leukhardt et al.	D7/349
D375,867 S *	11/1996	Sparks	D7/340
D424,862 S *	5/2000	Holbrook	D7/349
D462,867 S *	9/2002	Resuello et al.	D7/405
D468,962 S *	1/2003	Jones et al.	D7/405
D477,177 S *	7/2003	Jeong	D7/340
D511,926 S *	11/2005	Baldwin	D7/340
D524,095 S *	7/2006	Pino et al.	D7/349

D525,476 S *	7/2006	Bengtson et al.	D7/405
D536,576 S *	2/2007	Logan et al.	D7/405
D539,591 S *	4/2007	Bengtson et al.	D7/349
D555,975 S *	11/2007	Pino et al.	D7/405
D555,976 S *	11/2007	Baldwin	D7/405

* cited by examiner

Primary Examiner—Robert A. Delehanty

Assistant Examiner—Mark Cavanna

(74) *Attorney, Agent, or Firm*—Banner & Witcoff, Ltd.

(57) **CLAIM**

The ornamental design for a portion of an appliance, as shown and described.

DESCRIPTION

FIG. 1 is a front perspective view of a portion of an appliance showing my new design;

FIG. 2 is a front view thereof;

FIG. 3 is a right side view thereof;

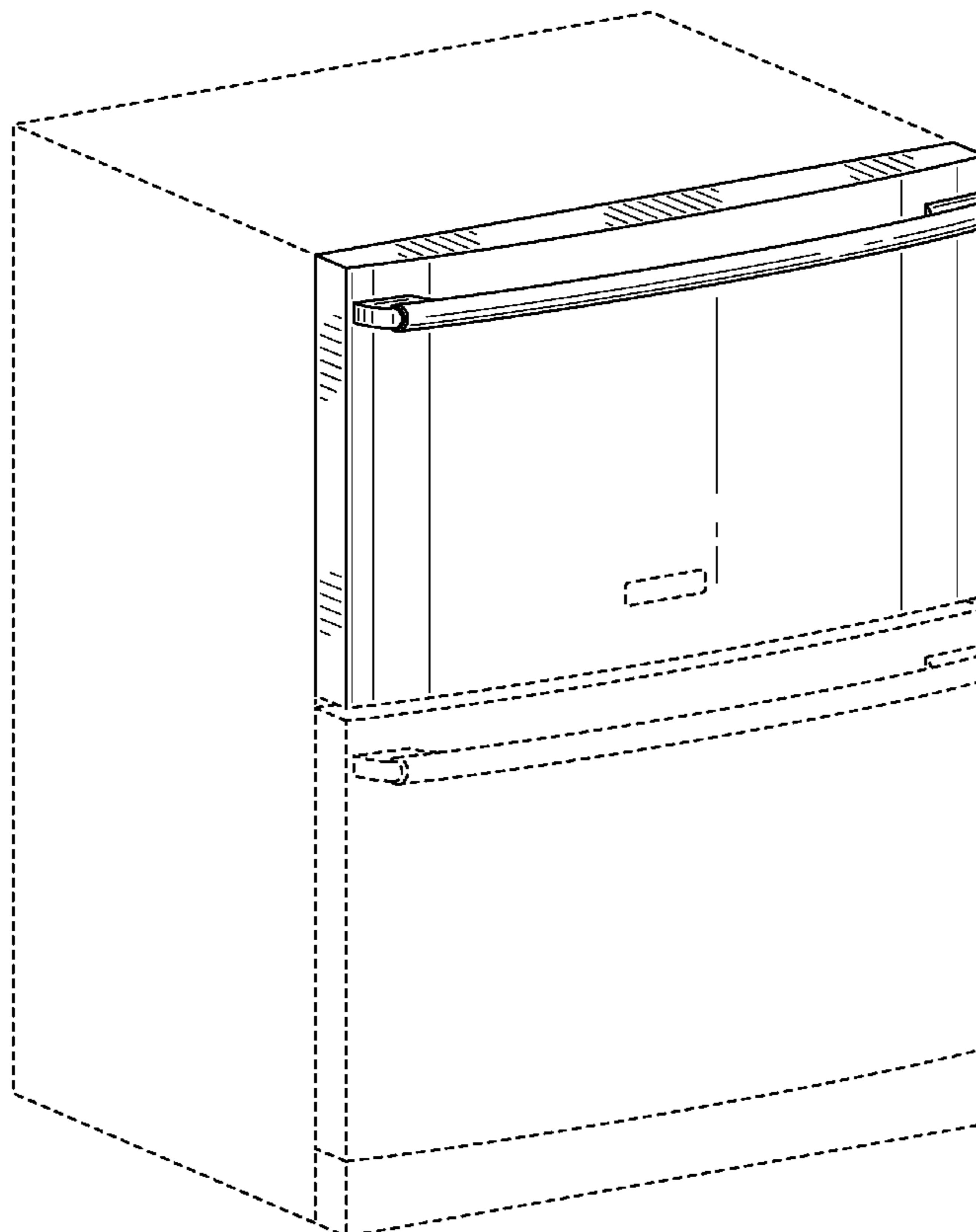
FIG. 4 is a left side view thereof;

FIG. 5 is a top view thereof; and,

FIG. 6 is a bottom view thereof.

The broken line showing of various regions, including the unshaded areas therein, is for illustrative purposes and forms no part of the claimed design.

1 Claim, 5 Drawing Sheets



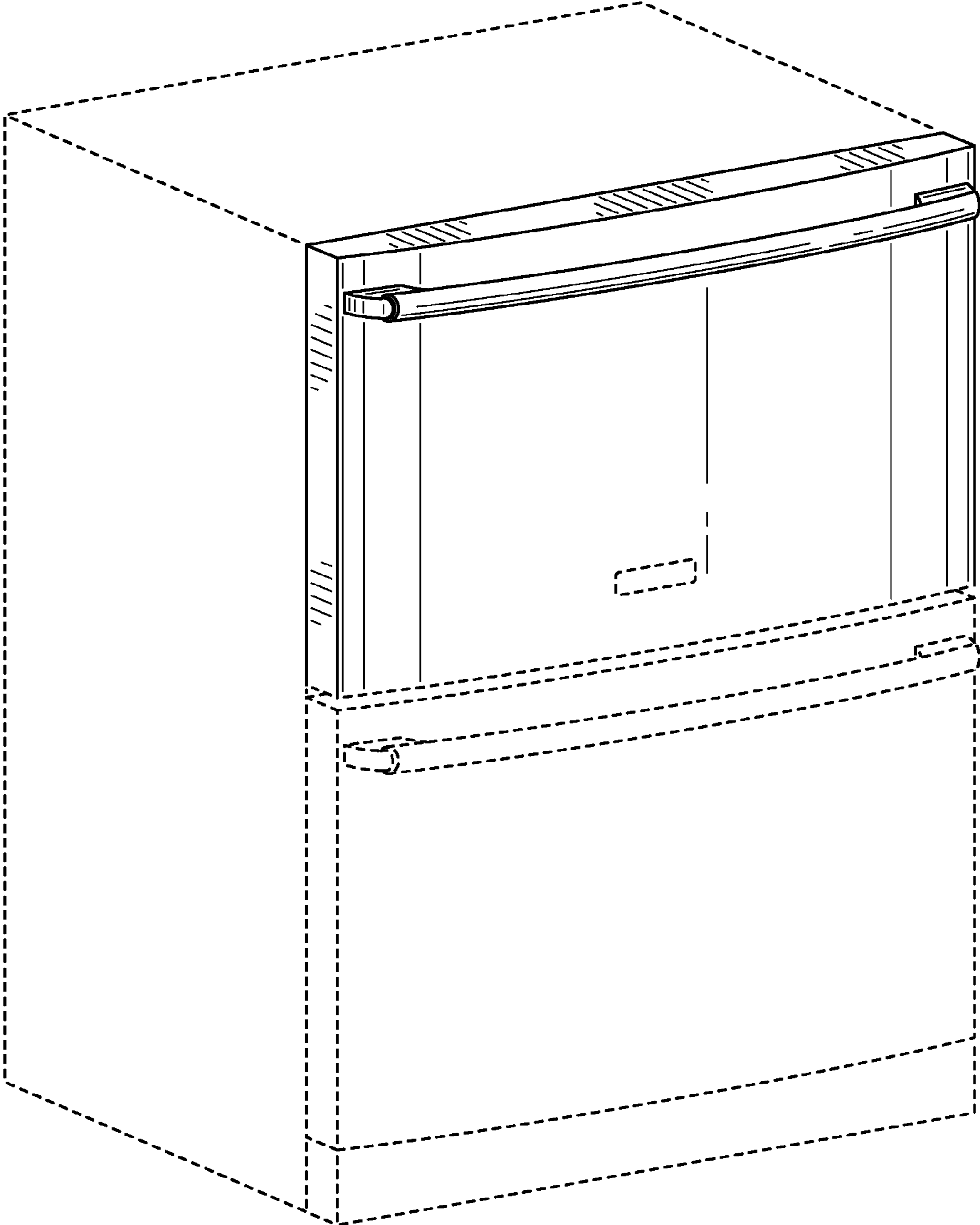


FIG. 1

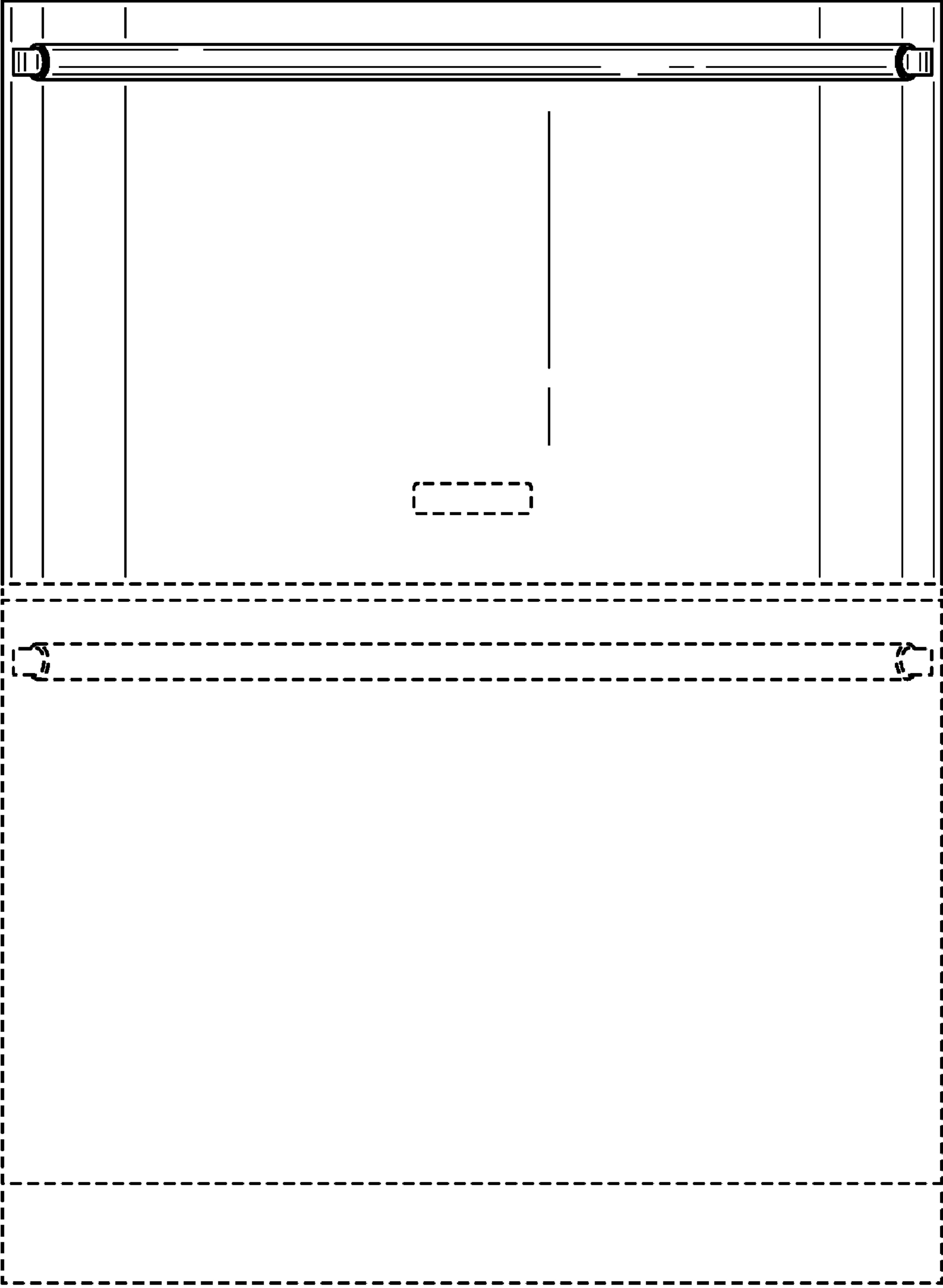


FIG. 2

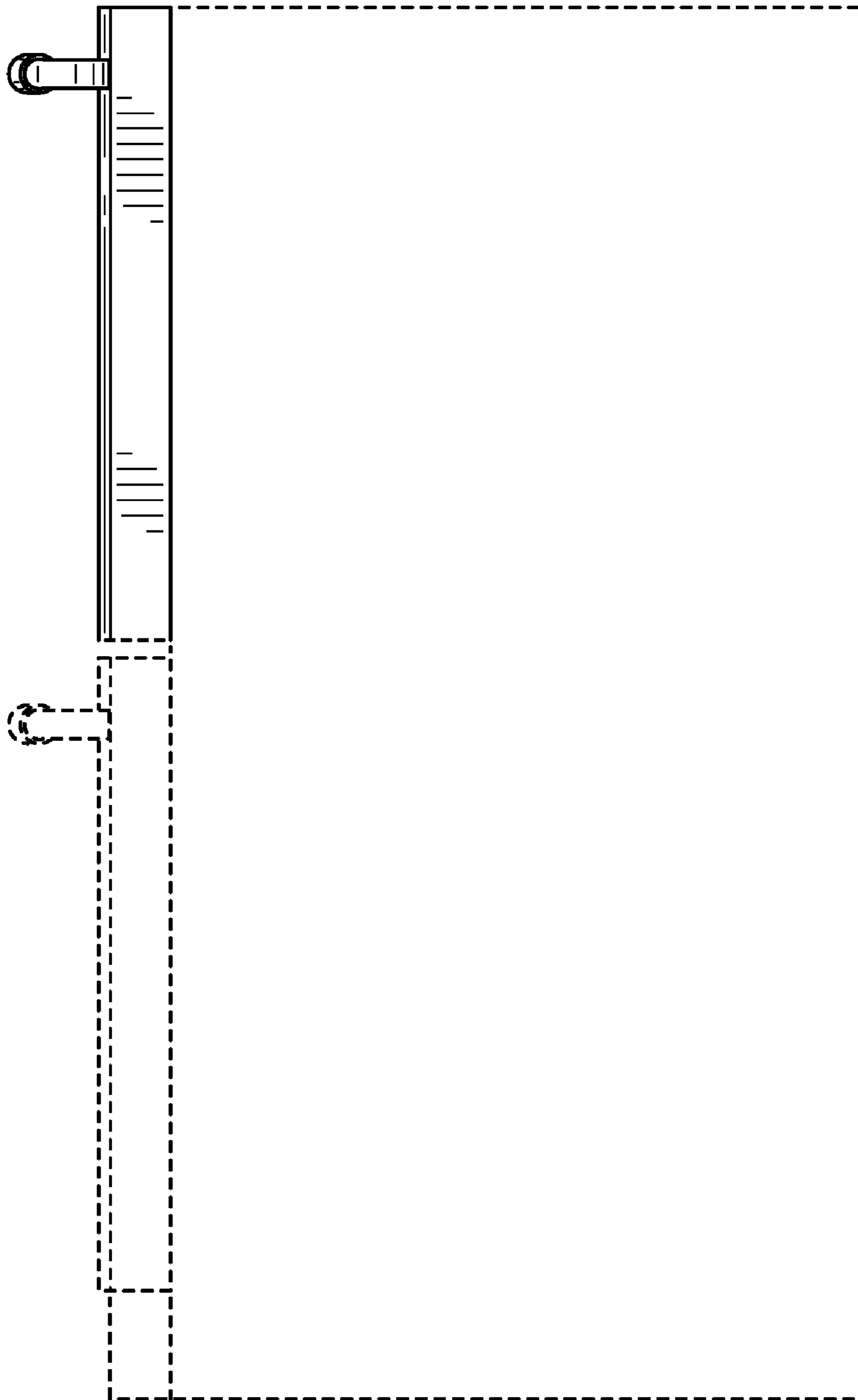


FIG. 3

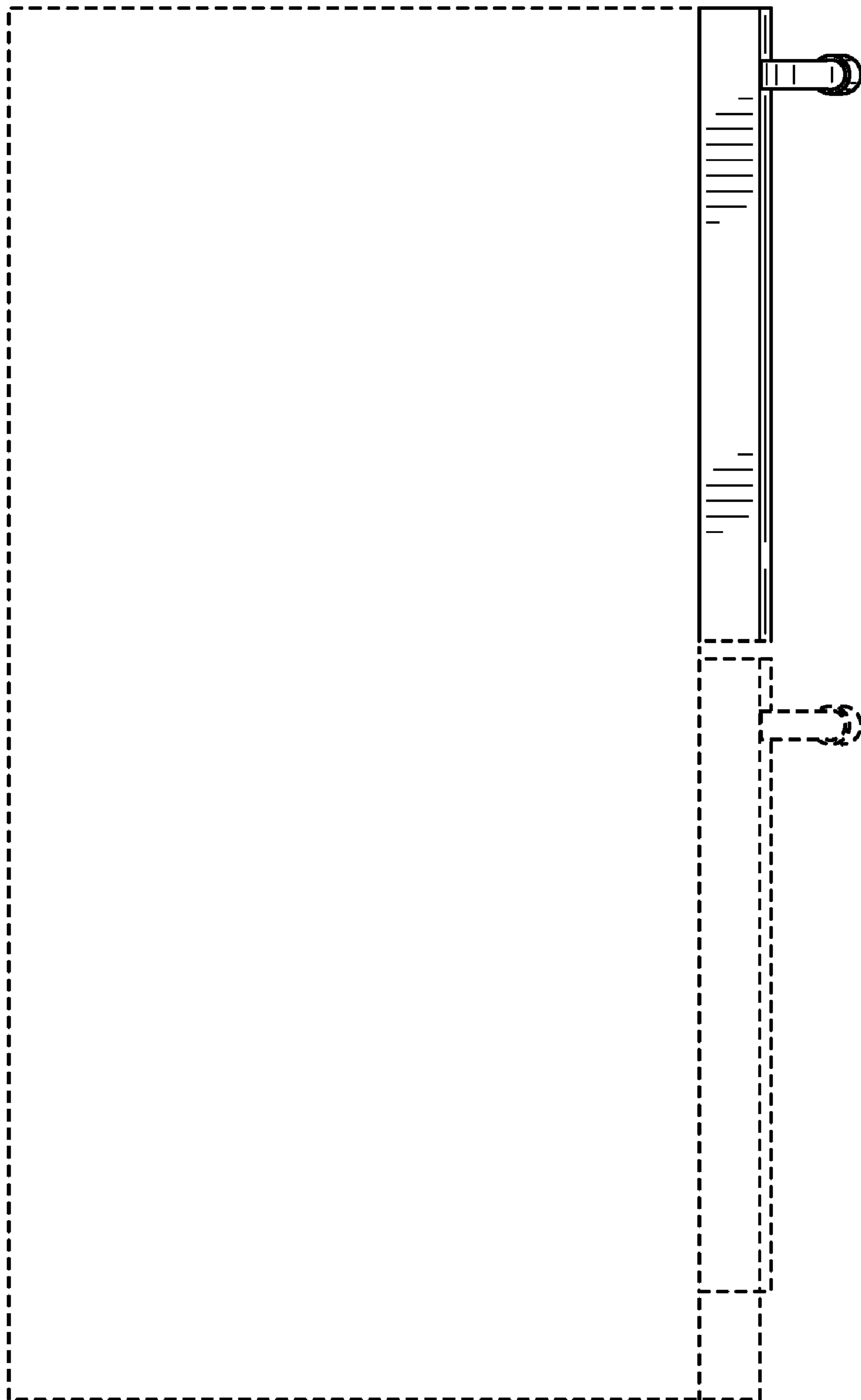


FIG. 4

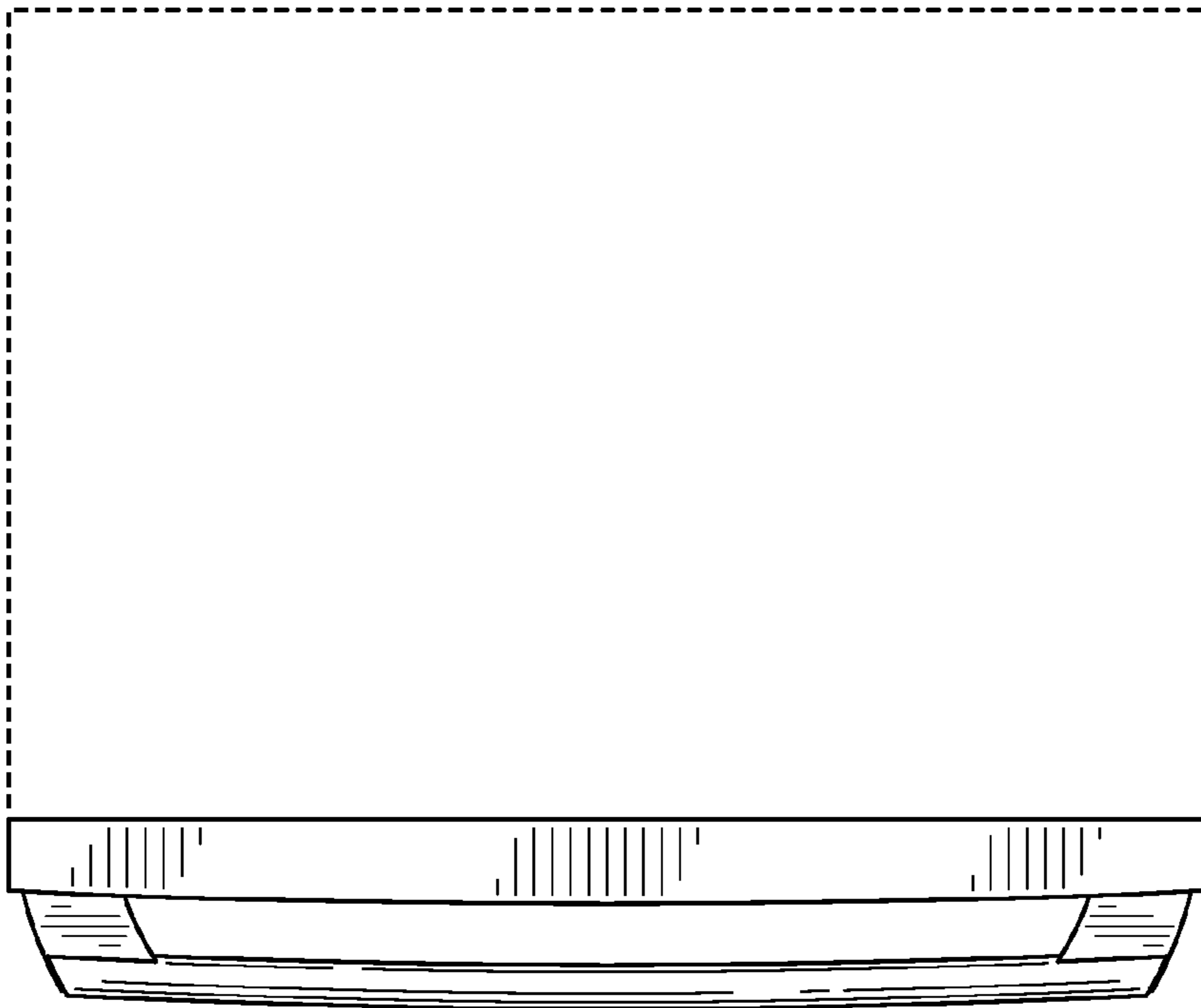


FIG. 5

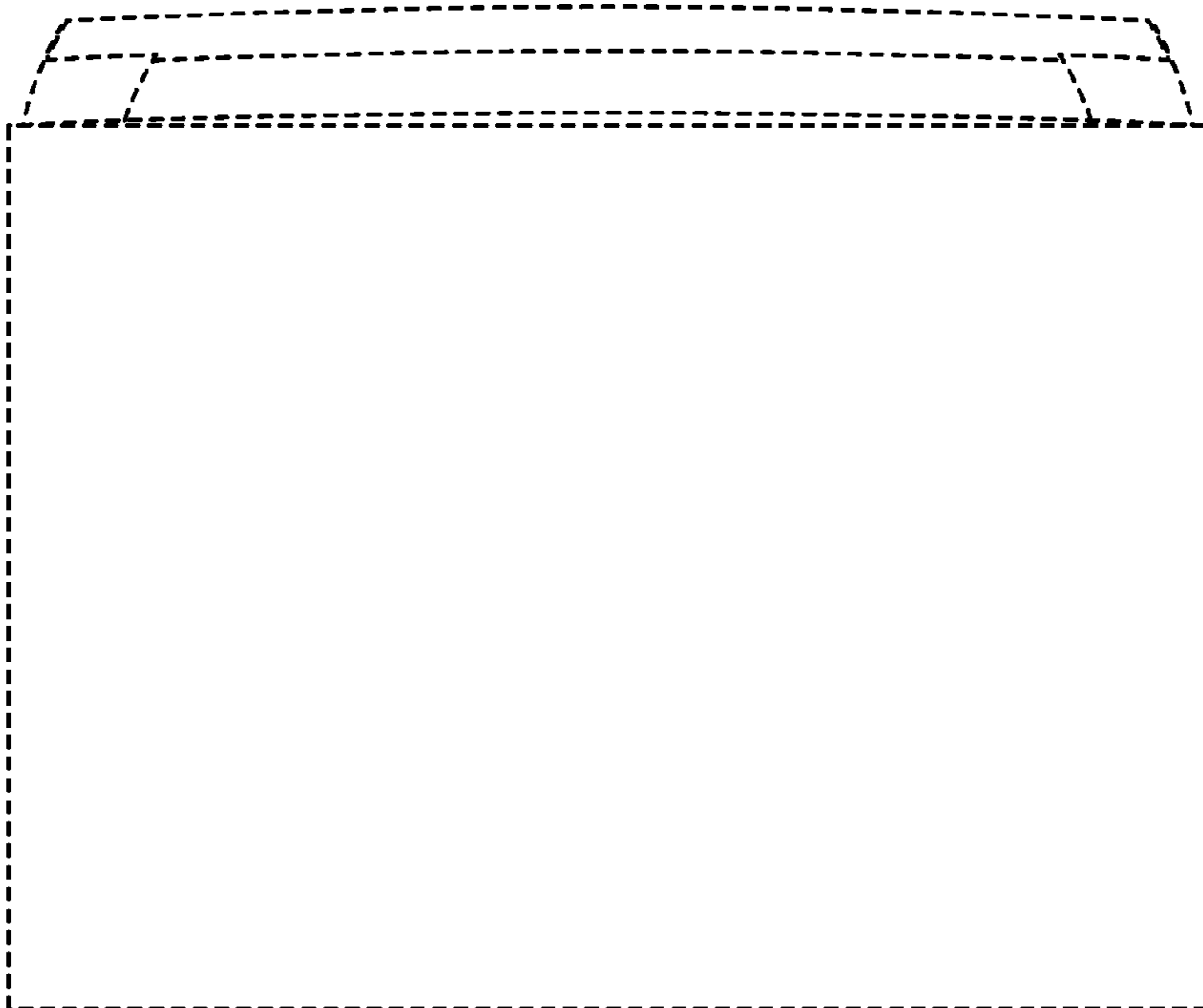


FIG. 6