



US00D569176S

(12) **United States Design Patent**  
**Bodum**

(10) **Patent No.:** **US D569,176 S**

(45) **Date of Patent:** **\*\* May 20, 2008**

(54) **FILTER**

(75) Inventor: **Jørgen Bodum**, Meggen (CH)

(73) Assignee: **Pi-Design AG**, Triengen (CH)

(\*\*) Term: **14 Years**

(21) Appl. No.: **29/299,482**

(22) Filed: **Dec. 27, 2007**

(30) **Foreign Application Priority Data**

Jun. 27, 2007 (DK) ..... DA 2007 00158

(51) **LOC (8) Cl.** ..... **07-01**

(52) **U.S. Cl.** ..... **D7/400; D7/399; D7/387**

(58) **Field of Classification Search** ..... D7/500,  
D7/509, 510, 532, 531, 505, 507, 528, 513,  
D7/647, 667, 615, 400, 399, 397, 387; 220/711,  
220/300, 735; D11/143; 210/348, 470, 474;  
D23/209; 426/82; 99/322, 279, 321; 206/217;  
366/341; D21/472; D9/428, 429  
See application file for complete search history.

(56) **References Cited**

**U.S. PATENT DOCUMENTS**

545,662	A *	9/1895	Stewart	.....	220/300
638,698	A *	12/1899	Bourie	.....	99/321
3,606,262	A *	9/1971	Van't Hoff	.....	366/341
D277,255	S *	1/1985	Deruntz	.....	D7/387
D279,168	S *	6/1985	Goldsmith	.....	D9/429
4,846,236	A *	7/1989	Deruntz	.....	141/329
D354,898	S *	1/1995	Nagy	.....	D8/71

5,424,083	A *	6/1995	Lozito	.....	426/82
D396,603	S *	8/1998	Gasser	.....	D7/400
D426,427	S *	6/2000	Rubbright et al.	.....	D7/565
D453,447	S *	2/2002	Bi	.....	D7/531
D516,766	S *	3/2006	Daams	.....	D34/1
D546,626	S *	7/2007	Chou	.....	D7/523
D558,532	S *	1/2008	Peterson	.....	D7/615
D560,091	S *	1/2008	Bodum	.....	D7/316

\* cited by examiner

*Primary Examiner*—Philip Hyder

*Assistant Examiner*—Cynthia Underwood

(74) *Attorney, Agent, or Firm*—Cowan, Liebowitz & Latman, PC

(57) **CLAIM**

The ornamental design for a filter, as shown and described.

**DESCRIPTION**

FIG. 1 is a perspective view of the filter showing my design thereof;

FIG. 2 is a front view thereof;

FIG. 3 is a back view thereof;

FIG. 4 is a right side view thereof;

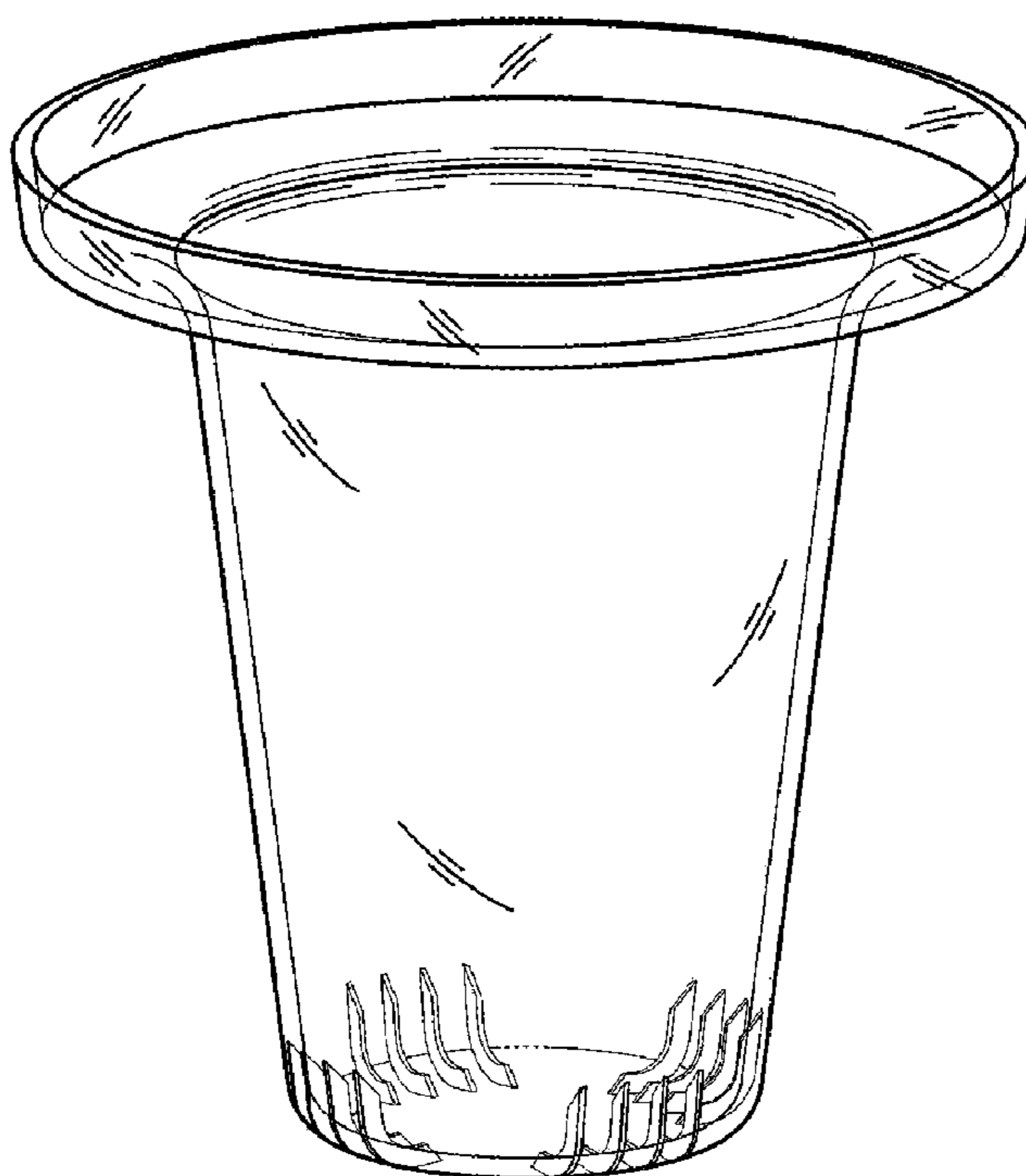
FIG. 5 is a left side view thereof;

FIG. 6 is a top view thereof;

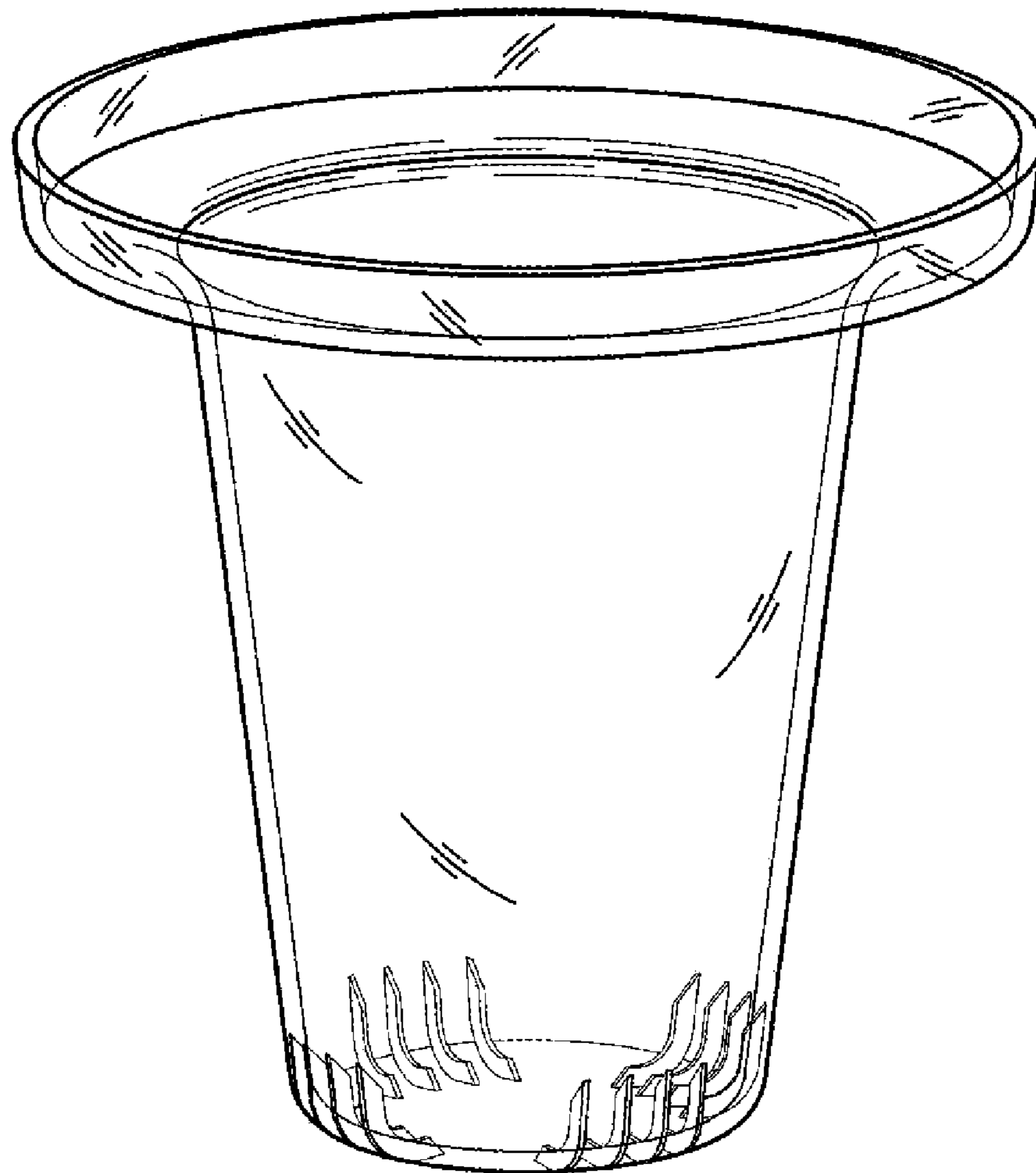
FIG. 7 is a bottom view thereof; and,

FIG. 8 is a cross-sectional view thereof taken along line 8—8 of FIG. 6.

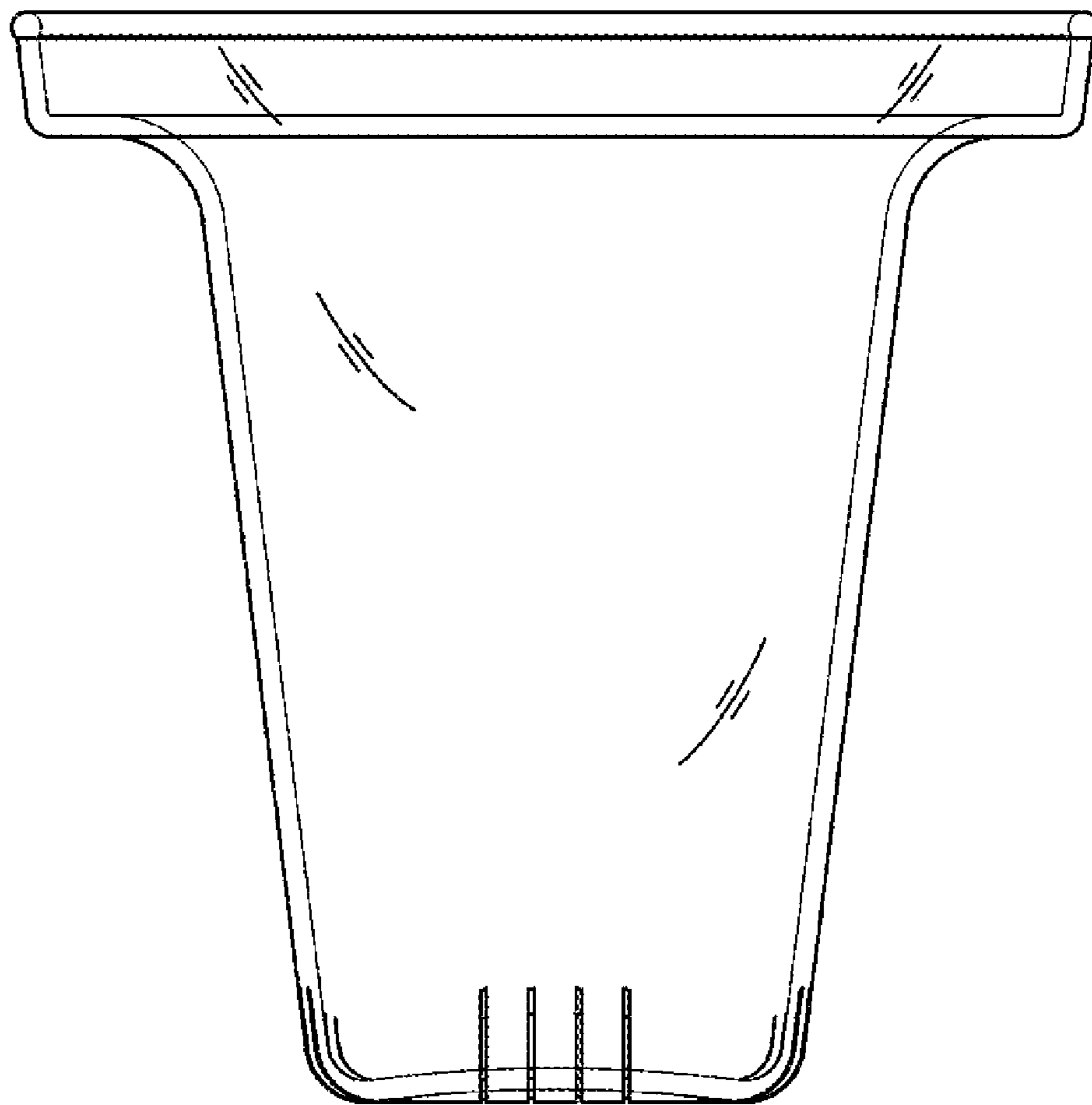
**1 Claim, 8 Drawing Sheets**



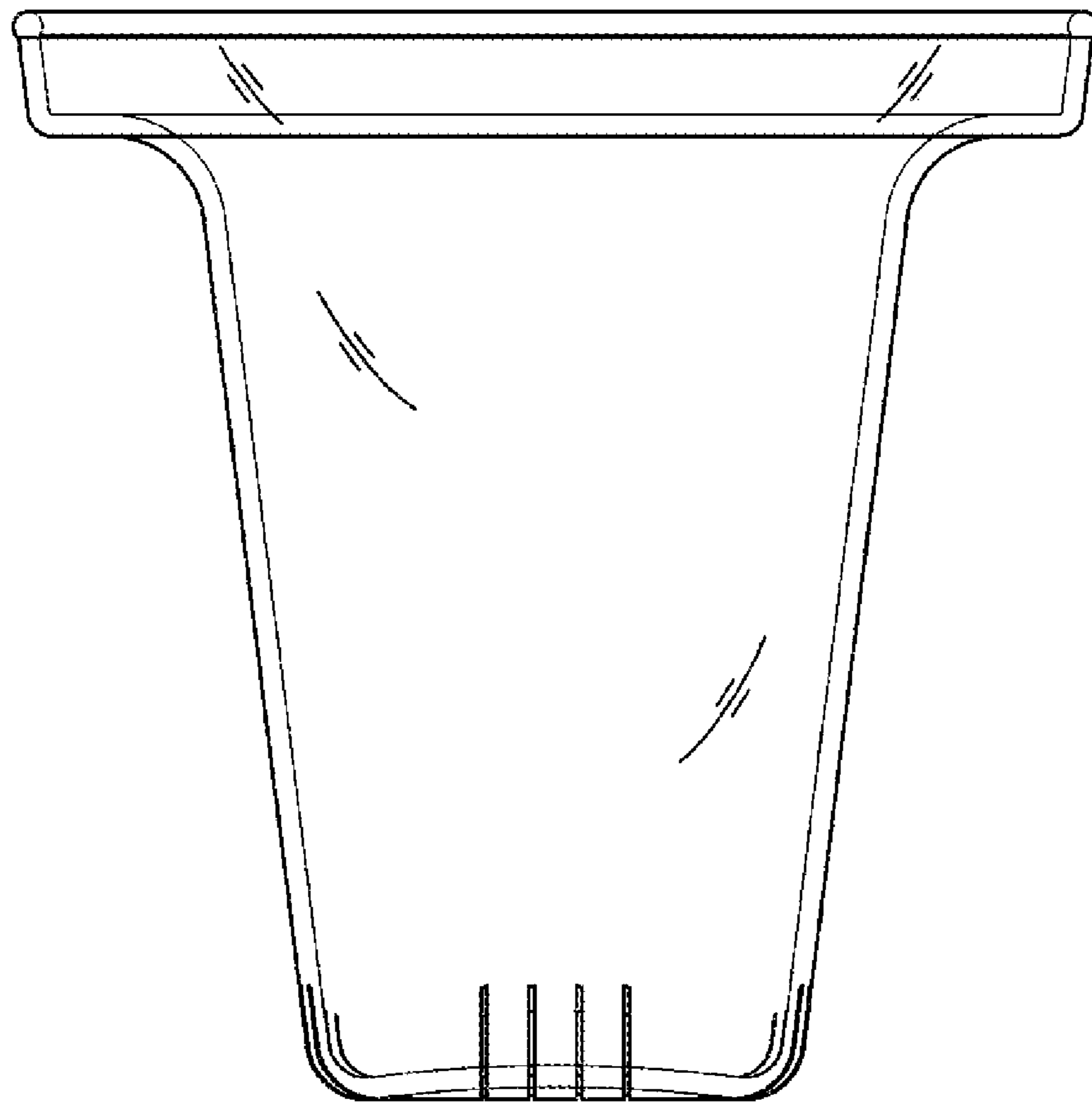
**FIG. 1**



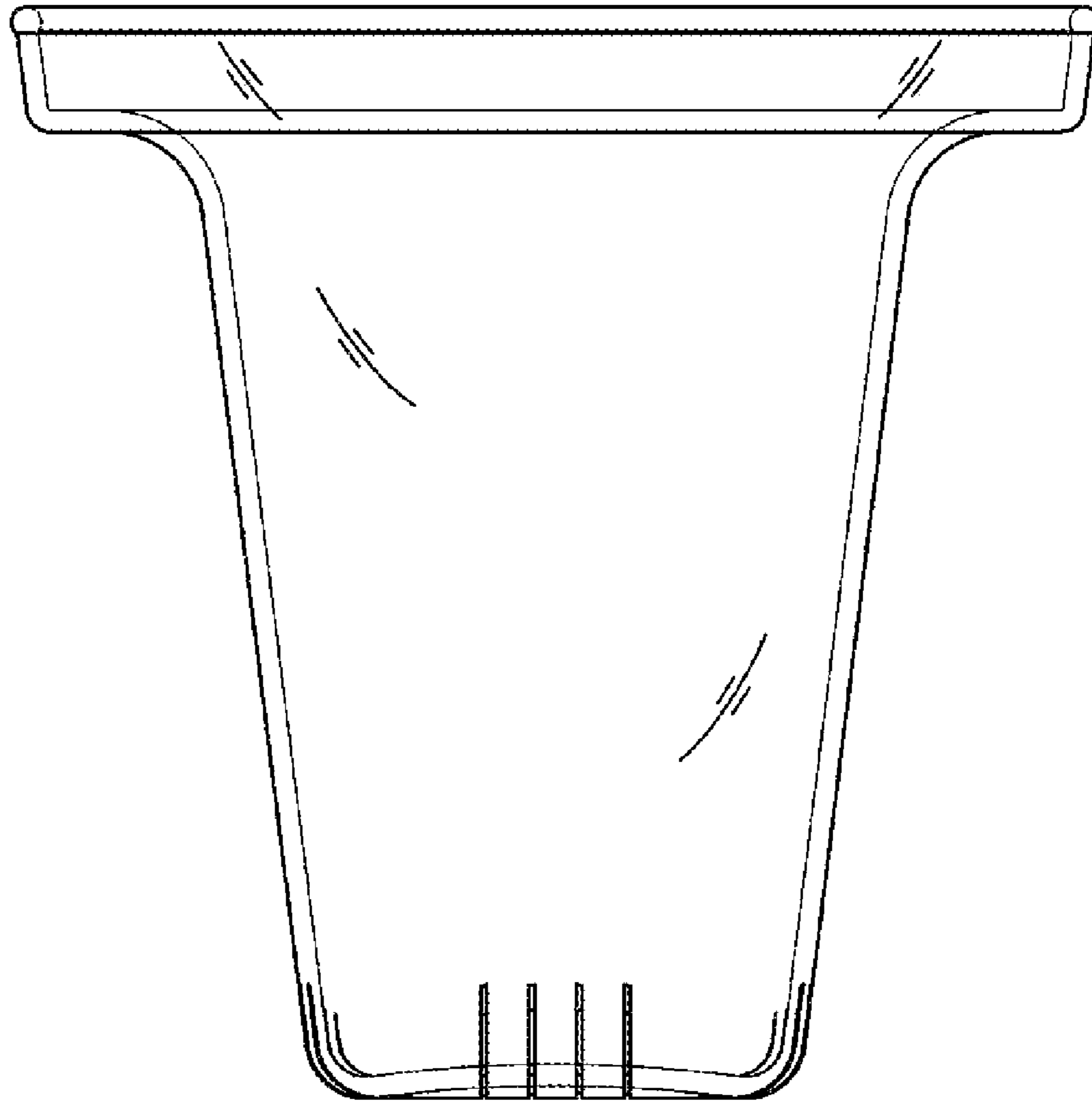
**FIG. 2**



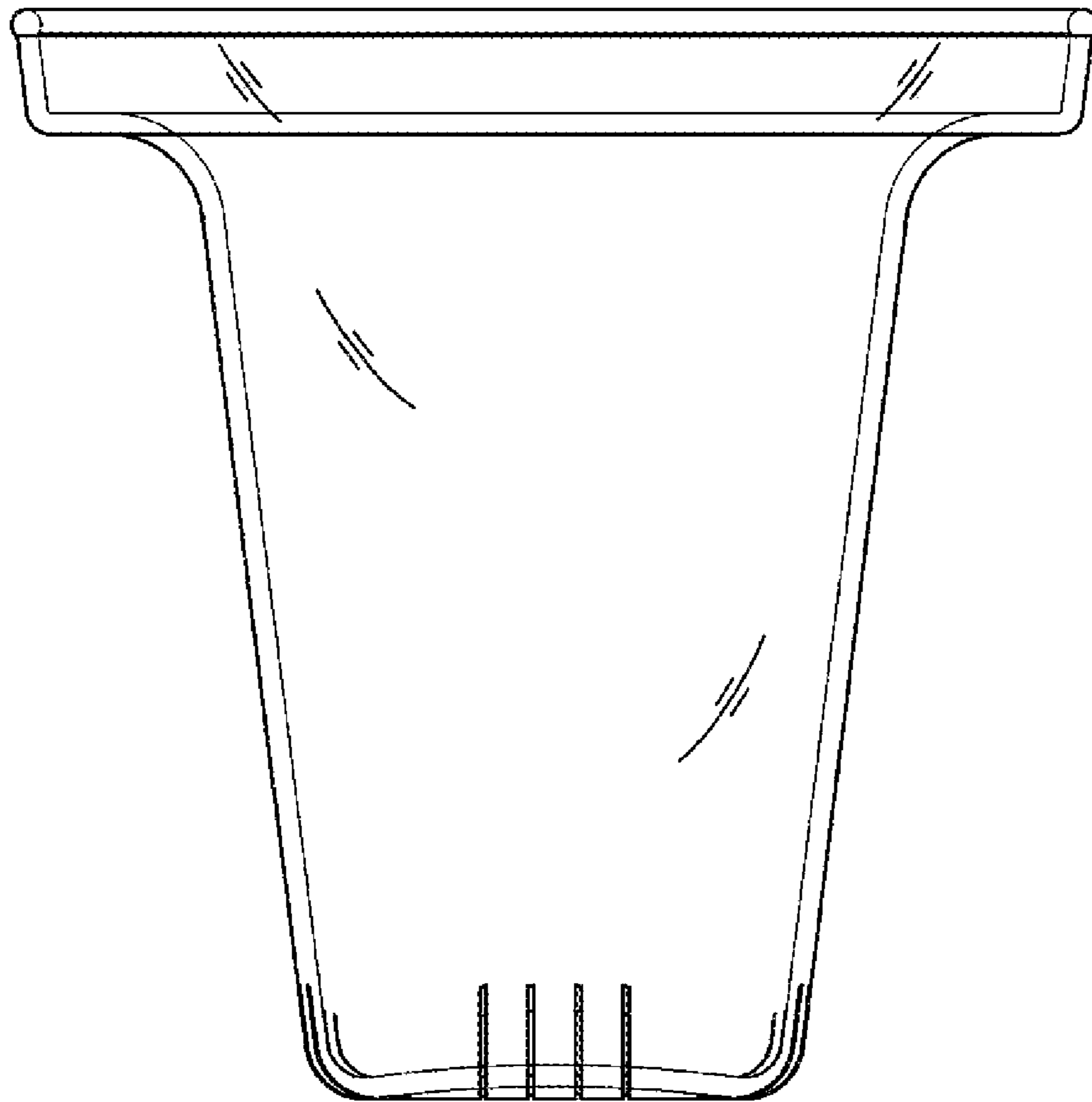
**FIG. 3**



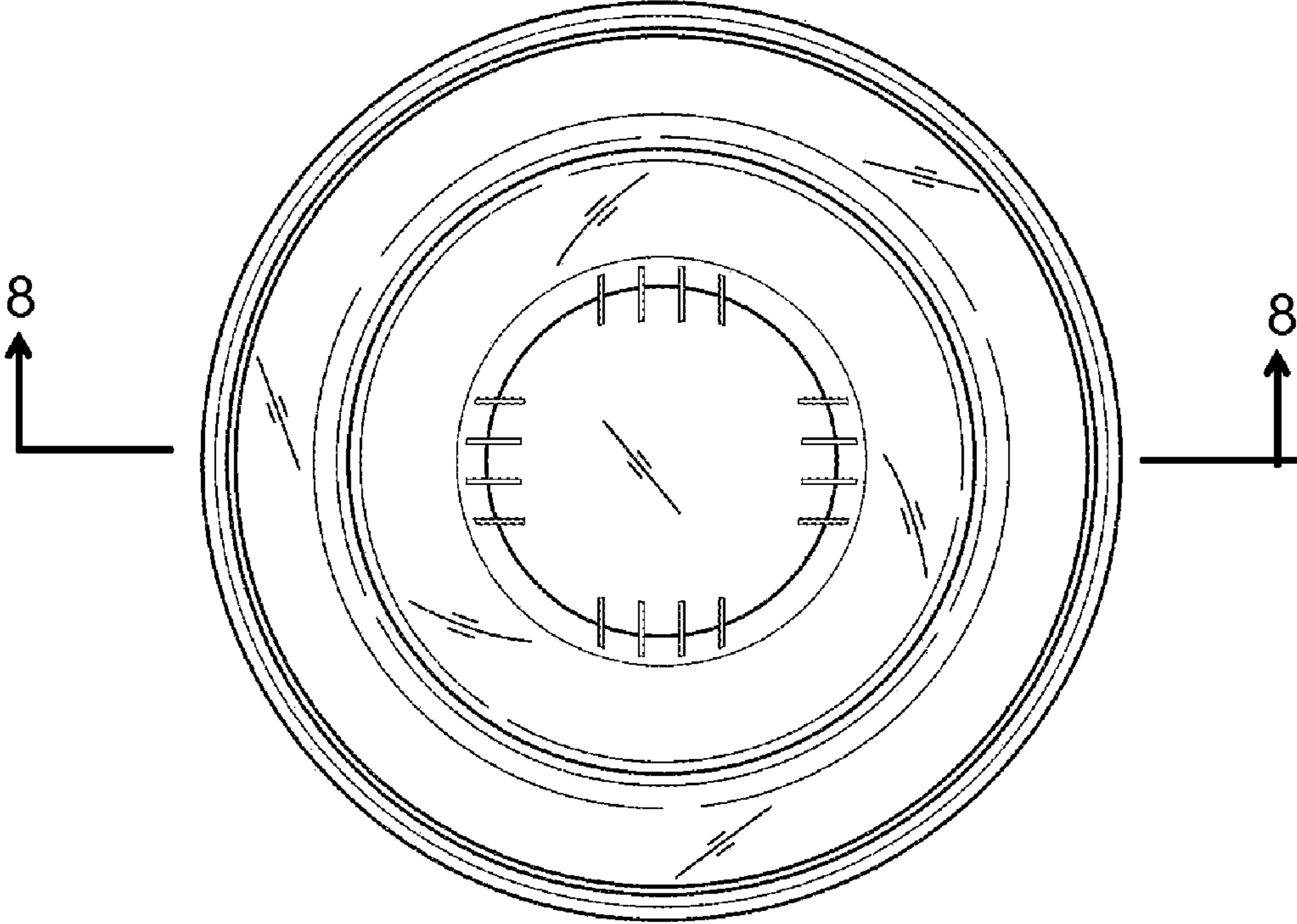
**FIG. 4**



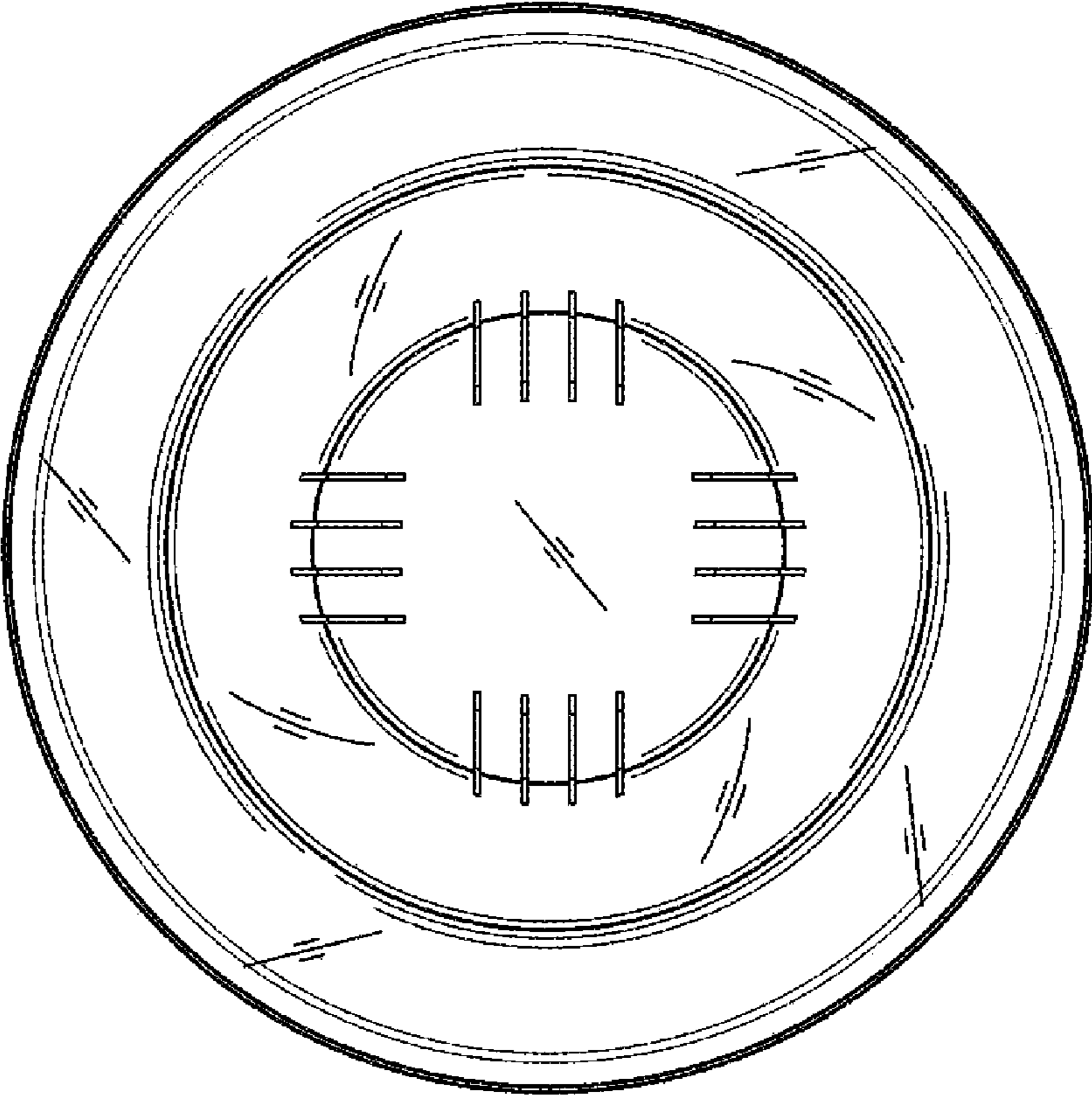
**FIG. 5**



**FIG. 6**



**FIG. 7**





**FIG. 8**

