

US00D569171S

(12) **United States Design Patent**
Barth

(10) **Patent No.:** **US D569,171 S**

(45) **Date of Patent:** **** May 20, 2008**

(54) **COOKING ROD**

(75) Inventor: **Aaron Barth**, Carlisle, MA (US)

(73) Assignee: **Half-Time Ventures, Inc.**, Carlisle, MA (US)

(**) Term: **14 Years**

(21) Appl. No.: **29/289,903**

(22) Filed: **Aug. 6, 2007**

Related U.S. Application Data

(63) Continuation-in-part of application No. 29/264,789, filed on Aug. 17, 2006, now Pat. No. Des. 548,003.

(51) **LOC (8) Cl.** **07-01**

(52) **U.S. Cl.** **D7/387**

(58) **Field of Classification Search** D7/387, D7/389, 402, 409, 684; 99/419, 345, 347, 99/450; 108/156; D11/134; 220/573.1, 220/320

See application file for complete search history.

(56) **References Cited**

U.S. PATENT DOCUMENTS

D35,771 S *	2/1902	Carlson	D7/564
D69,106 S *	12/1925	Allebaugh	D11/162
1,678,226 A *	7/1928	Leigh	446/385
D92,475 S *	6/1934	Kissinger	D11/162
4,127,060 A *	11/1978	Curtis	99/419
D411,084 S *	6/1999	Roychowdhury	D7/684
D411,463 S *	6/1999	Saputo	D1/107
D461,682 S *	8/2002	Fandrey	D7/409

D503,315 S *	3/2005	Lanier et al.	D7/684
D509,546 S *	9/2005	DeLaney	D21/609
D510,499 S *	10/2005	Asimus	D7/387
D525,471 S *	7/2006	Measom	D7/323
D554,429 S *	11/2007	Measom	D7/409
D556,508 S *	12/2007	Measom	D7/409
D557,070 S *	12/2007	Measom	D7/409

* cited by examiner

Primary Examiner—Philip Hyder

Assistant Examiner—Cynthia Underwood

(74) *Attorney, Agent, or Firm*—Anderson Gorecki & Manaras LLP

(57) **CLAIM**

The ornamental design for a cooking rod, as shown and described.

DESCRIPTION

FIG. 1 is a front perspective view of an embodiment of a cooking rod embodying my novel design;

FIG. 2 is a top plan view of the cooking rod of FIG. 1;

FIG. 3 is a bottom plan view of the cooking rod of FIG. 1;

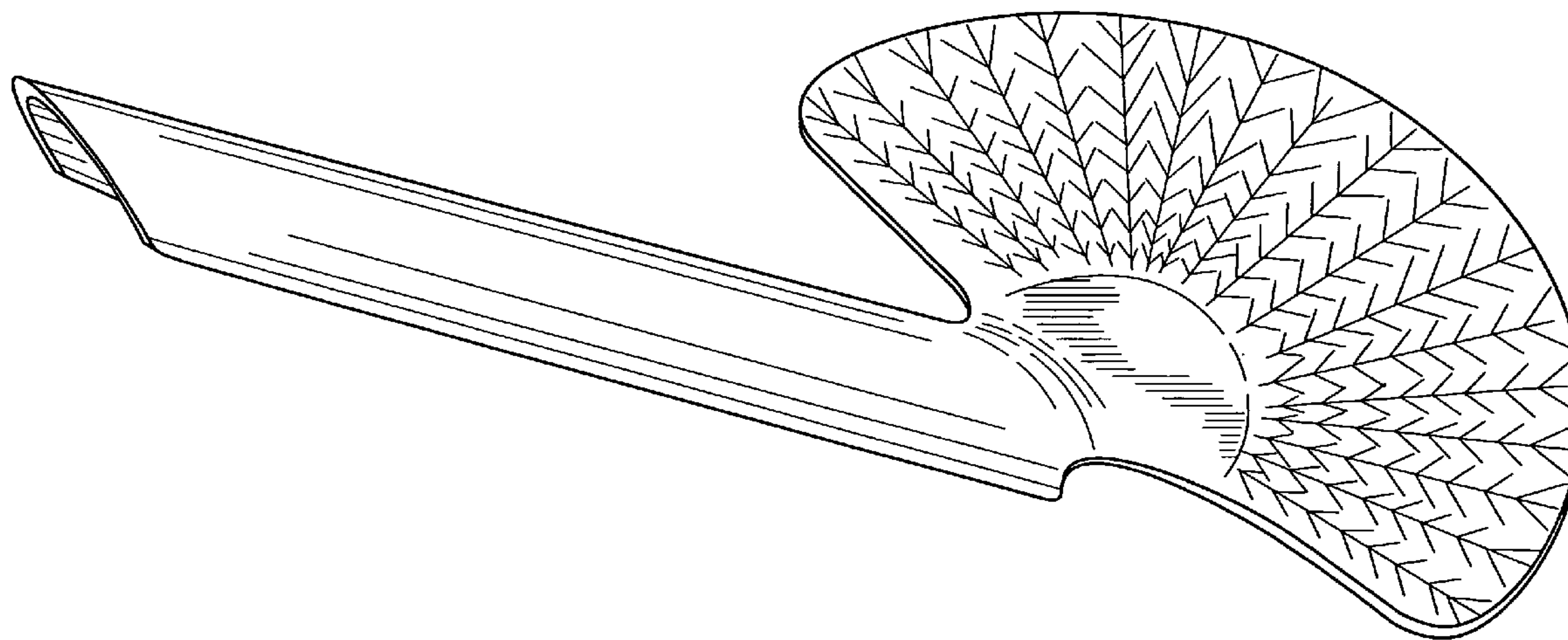
FIG. 4 is a front elevational view of the cooking rod of FIG. 1;

FIG. 5 is a back elevational view of the cooking rod of FIG. 1;

FIG. 6 is a right side elevational view of the cooking rod of FIG. 1; and,

FIG. 7 is a left side elevational view of the cooking rod of FIG. 1.

1 Claim, 7 Drawing Sheets



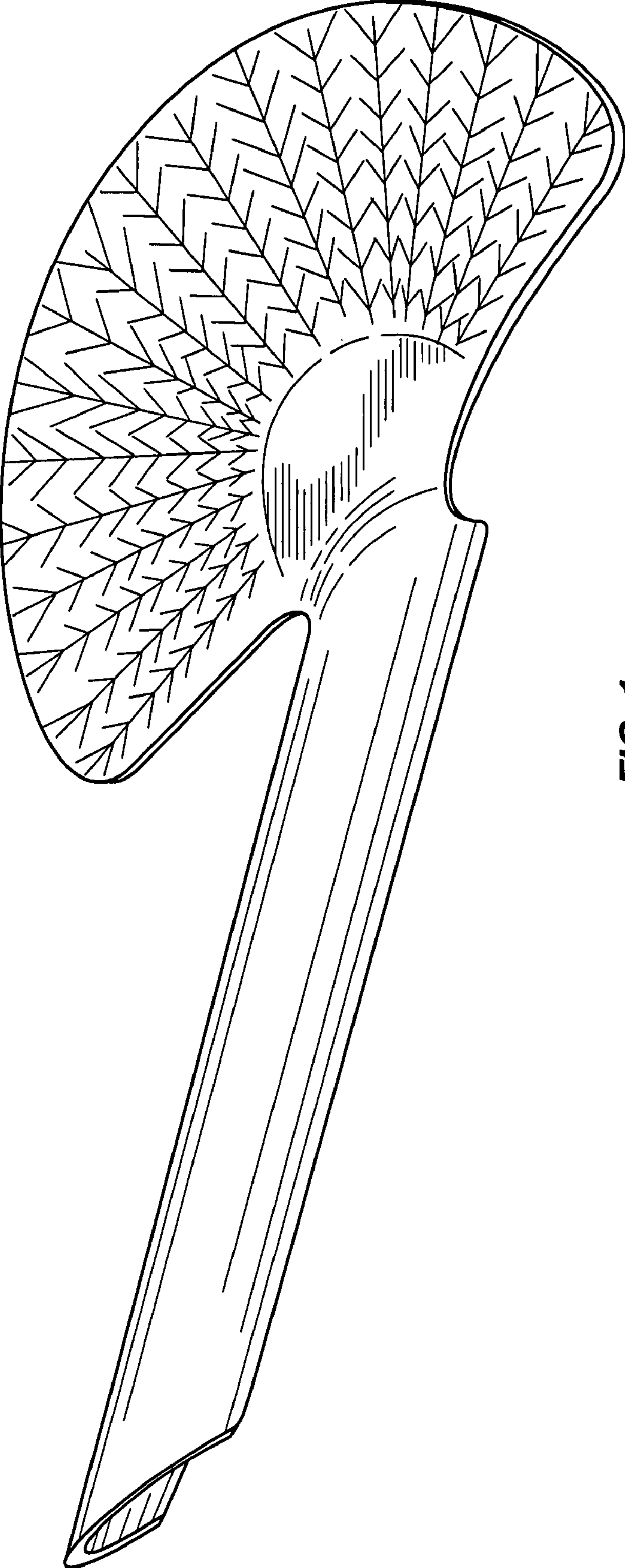


FIG. 1

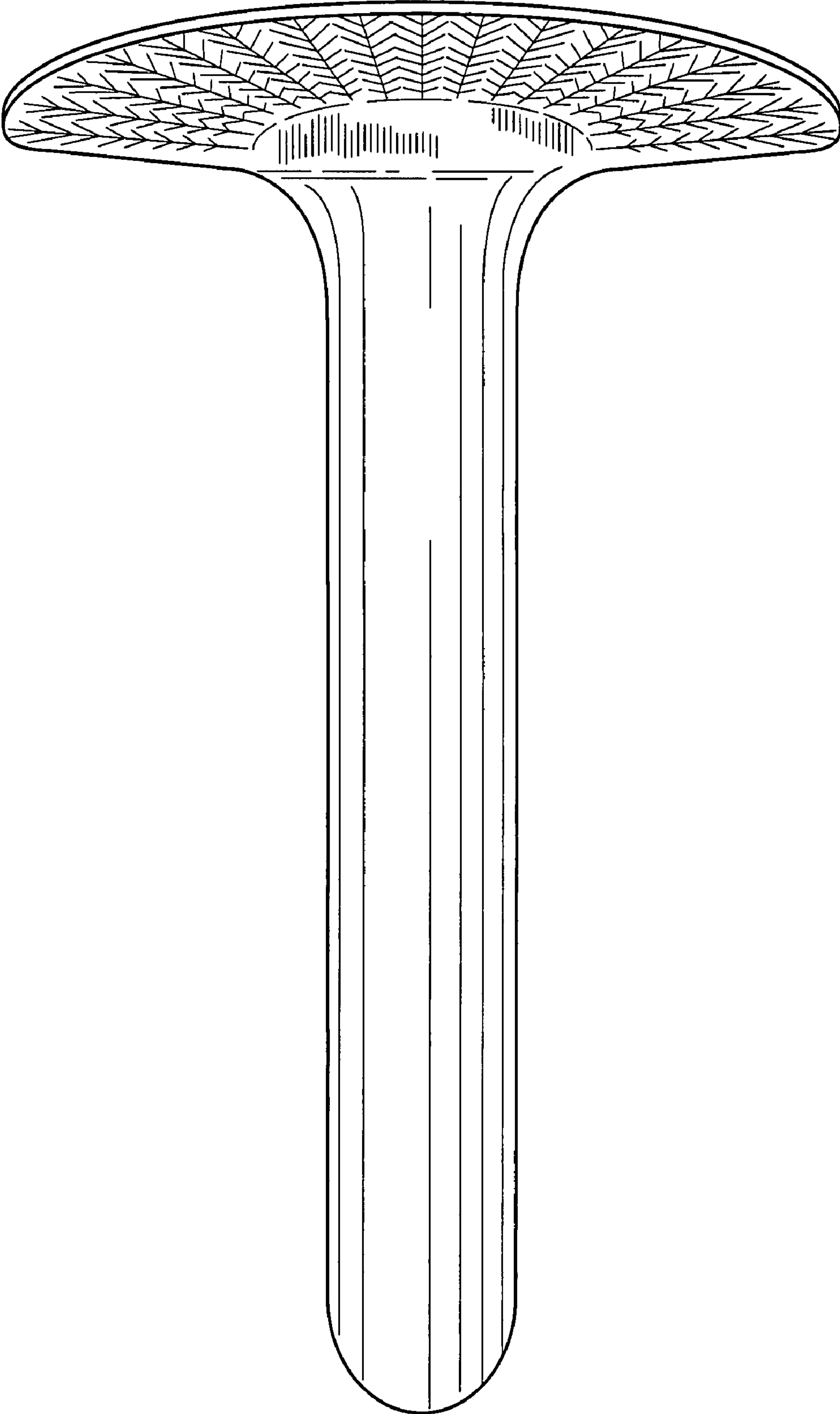


FIG. 2

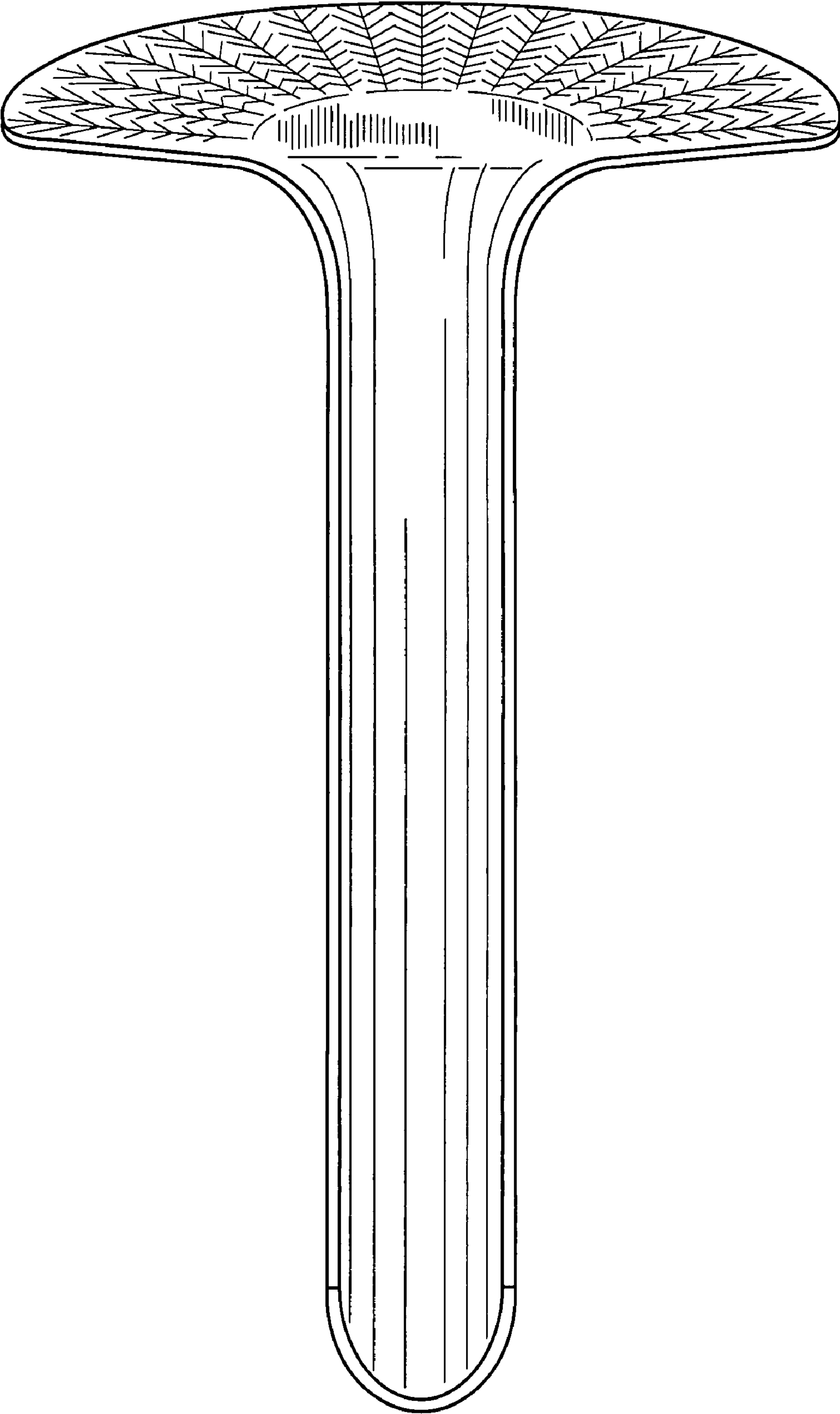


FIG. 3

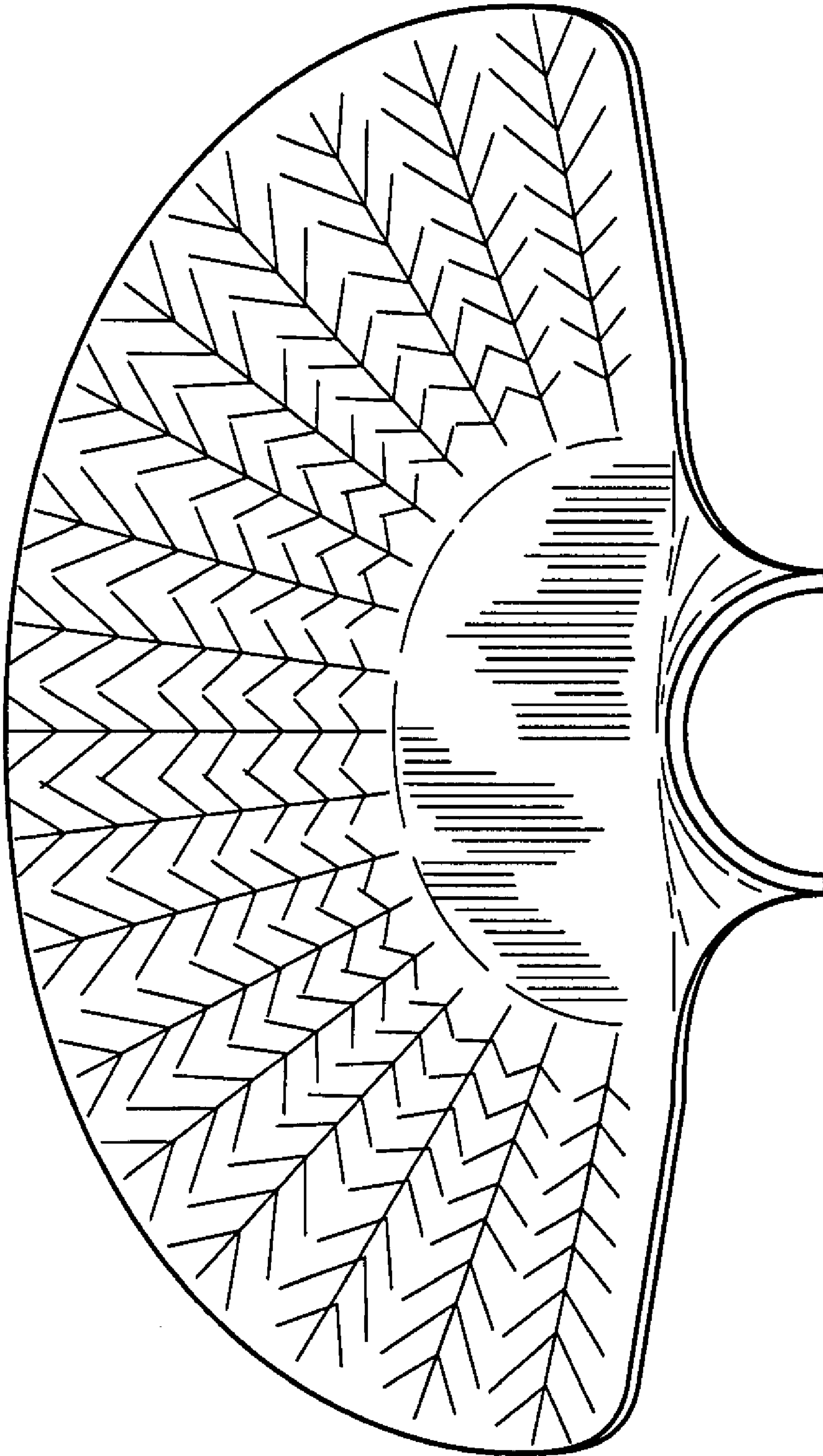


FIG. 4

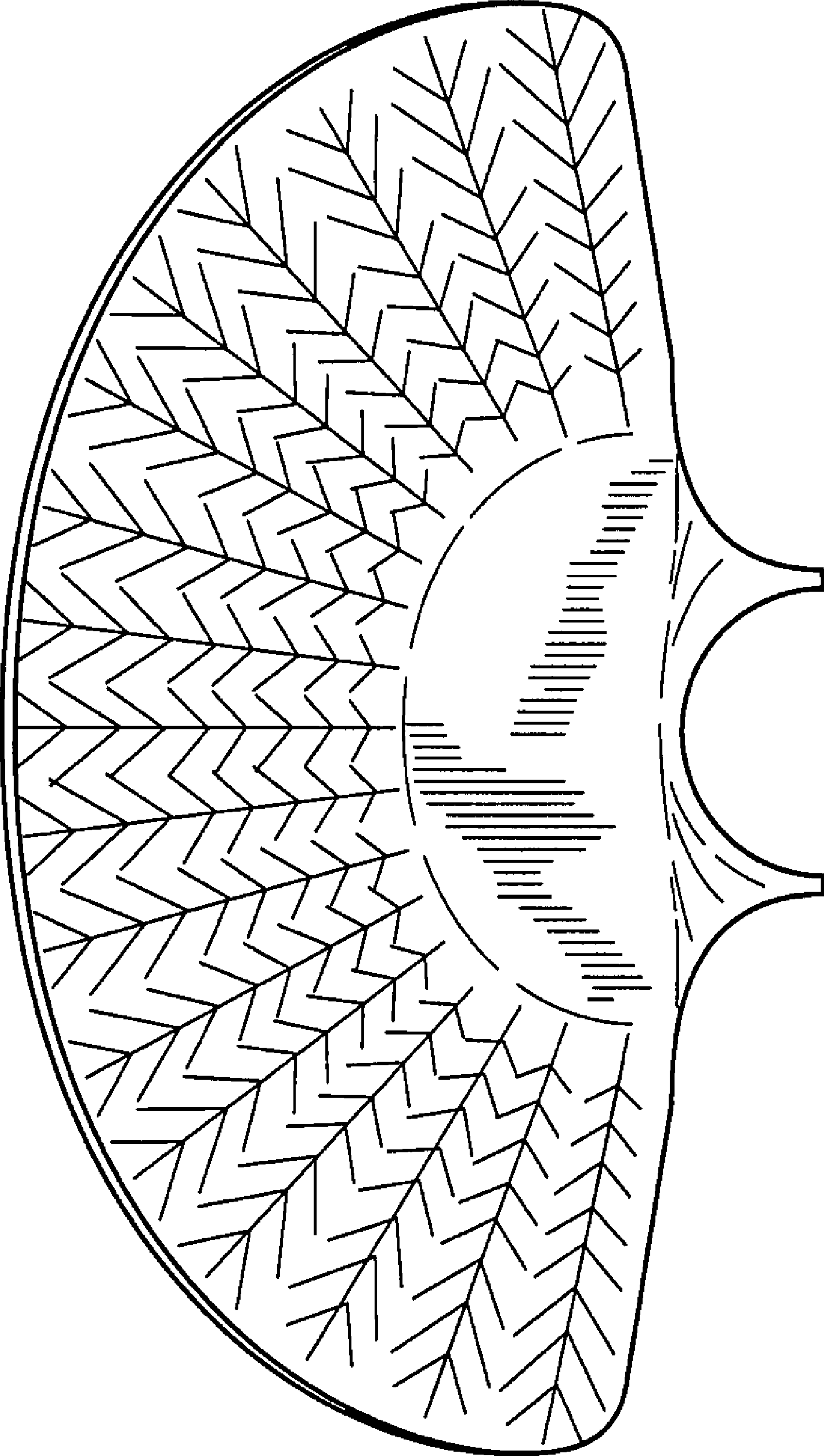


FIG. 5

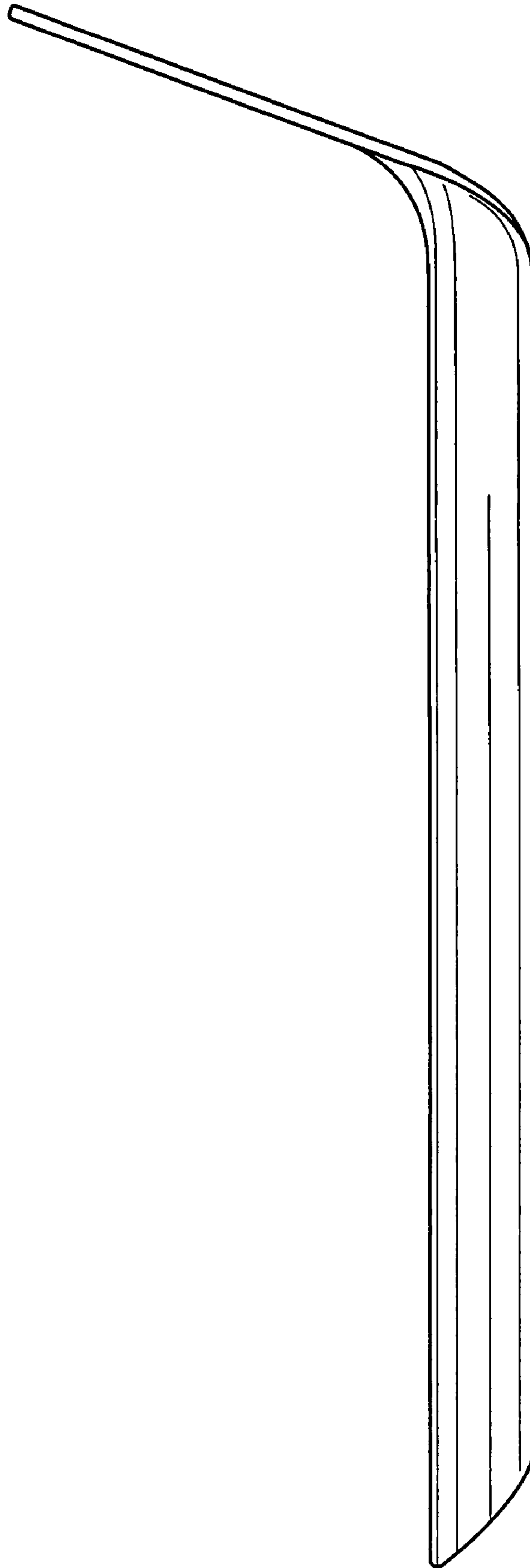


FIG. 6

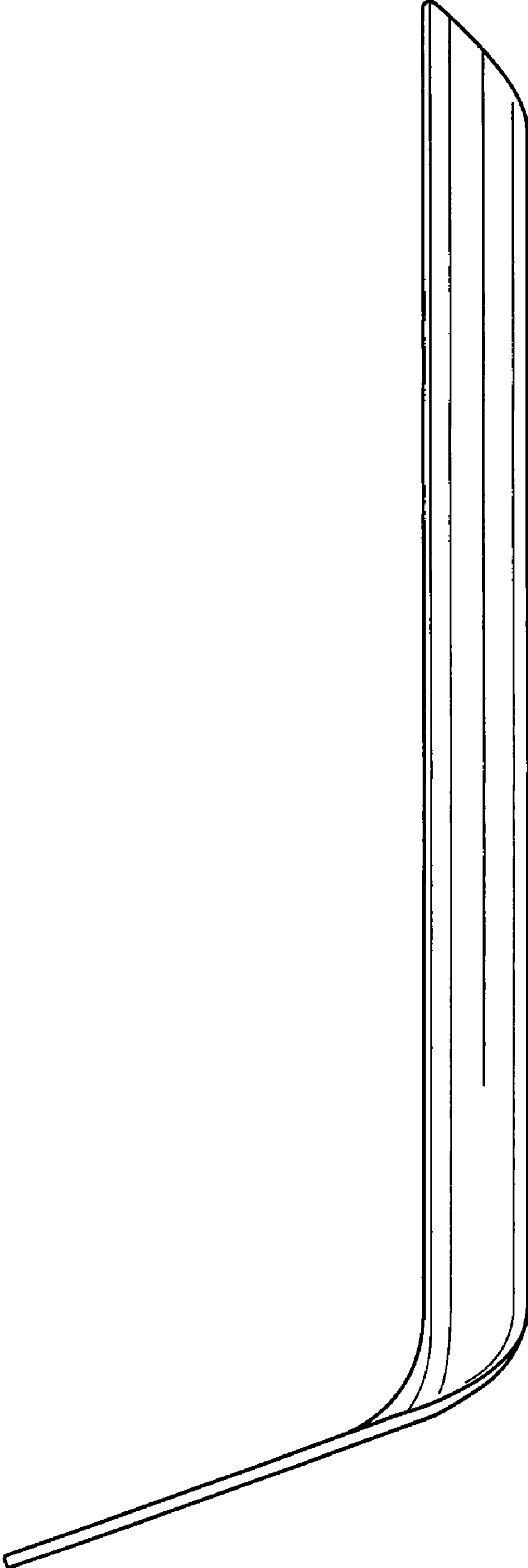


FIG. 7