

US00D569169S

(12) **United States Design Patent**  
**Munson**

(10) **Patent No.: US D569,169 S**

(45) **Date of Patent: \*\* \*May 20, 2008**

(54) **RECTANGULAR FOOD PAN**

(75) Inventor: **Jeff D. Munson**, Henderson, NV (US)

(73) Assignee: **Cambro Manufacturing Company**,  
Huntington Beach, CA (US)

(\* ) Notice: This patent is subject to a terminal disclaimer.

(\*\* ) Term: **14 Years**

(21) Appl. No.: **29/255,488**

(22) Filed: **Mar. 8, 2006**

(51) **LOC (8) Cl.** ..... **07-02**

(52) **U.S. Cl.** ..... **D7/354**

(58) **Field of Classification Search** ..... D7/323,  
D7/393, 354-360, 409, 543-545, 550.1, 551.1,  
D7/552.1, 553.1, 554.1, 554.2, 554.3, 554.4,  
D7/601, 667, 668; 99/324, 339, 400, 410-413,  
99/422, 446, 448; 210/469, 470, 475; 220/212.5,  
220/215, 346, 351, 573.1-573.4, 574, 912;  
294/172

See application file for complete search history.

(56) **References Cited**

**U.S. PATENT DOCUMENTS**

D305,410 S \* 1/1990 Tyler ..... D9/425  
D415,656 S \* 10/1999 Henry ..... D7/545  
D432,866 S \* 10/2000 Harrison ..... D7/545

6,568,534 B2 \* 5/2003 Zank ..... 206/508  
D489,226 S \* 5/2004 De Neubourg ..... D7/554.3  
D525,820 S \* 8/2006 Oztiryaki ..... D7/354  
D528,376 S \* 9/2006 Munson et al. .... D7/667  
D529,755 S \* 10/2006 Lobman et al. .... D7/356  
D543,412 S \* 5/2007 Munson ..... D7/354

\* cited by examiner

*Primary Examiner*—Caron D. Veynar

*Assistant Examiner*—Ricky Pham

(74) *Attorney, Agent, or Firm*—George F. Bethel

(57) **CLAIM**

I claim the ornamental design for a rectangular food pan, as shown and described.

**DESCRIPTION**

FIG. 1 shows an exploded perspective view of the food pan, shown exploded for completeness of illustration;

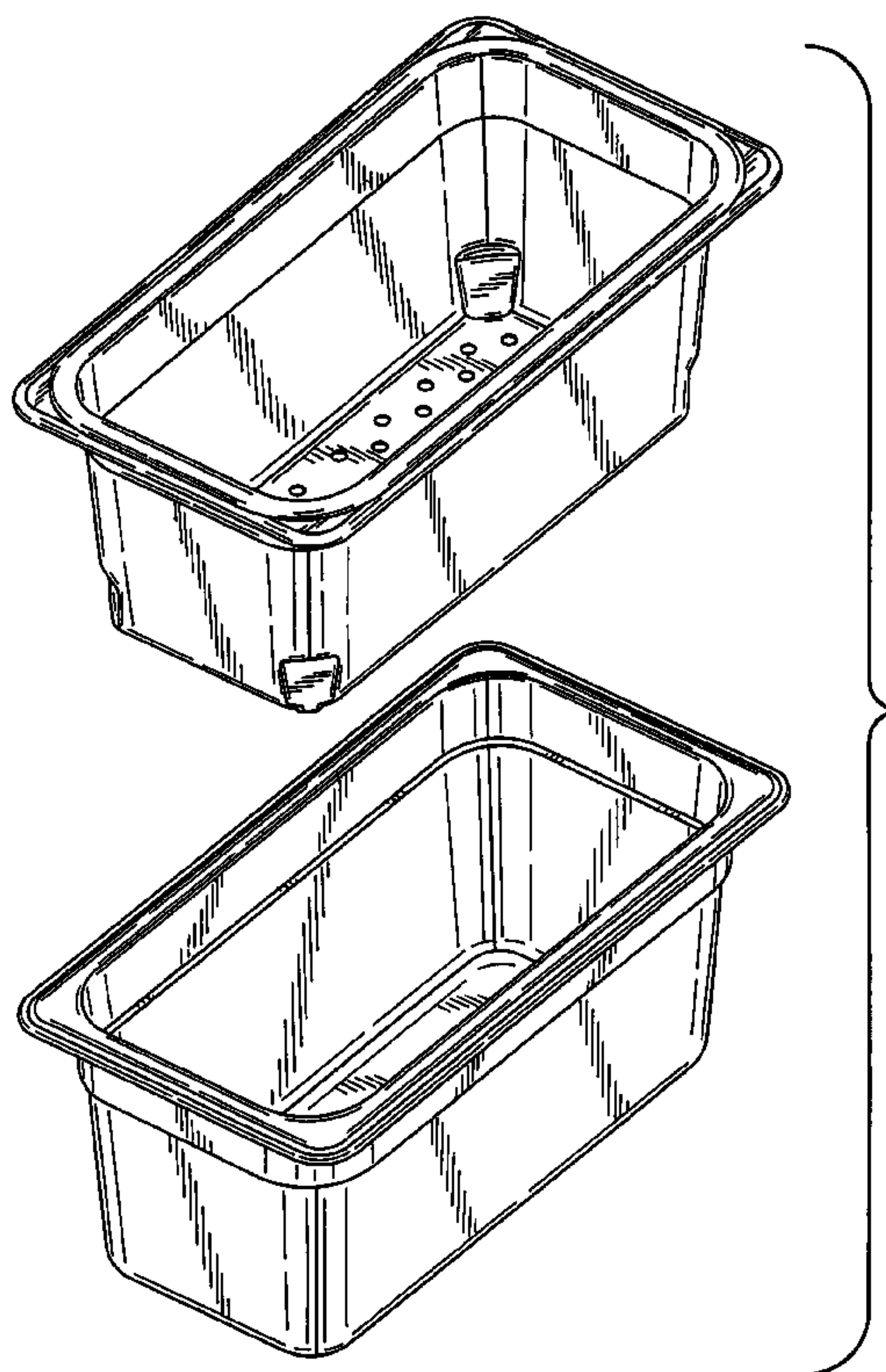
FIG. 2 shows a top plan view of the upper portion of the food pan, shown separately for ease of illustration;

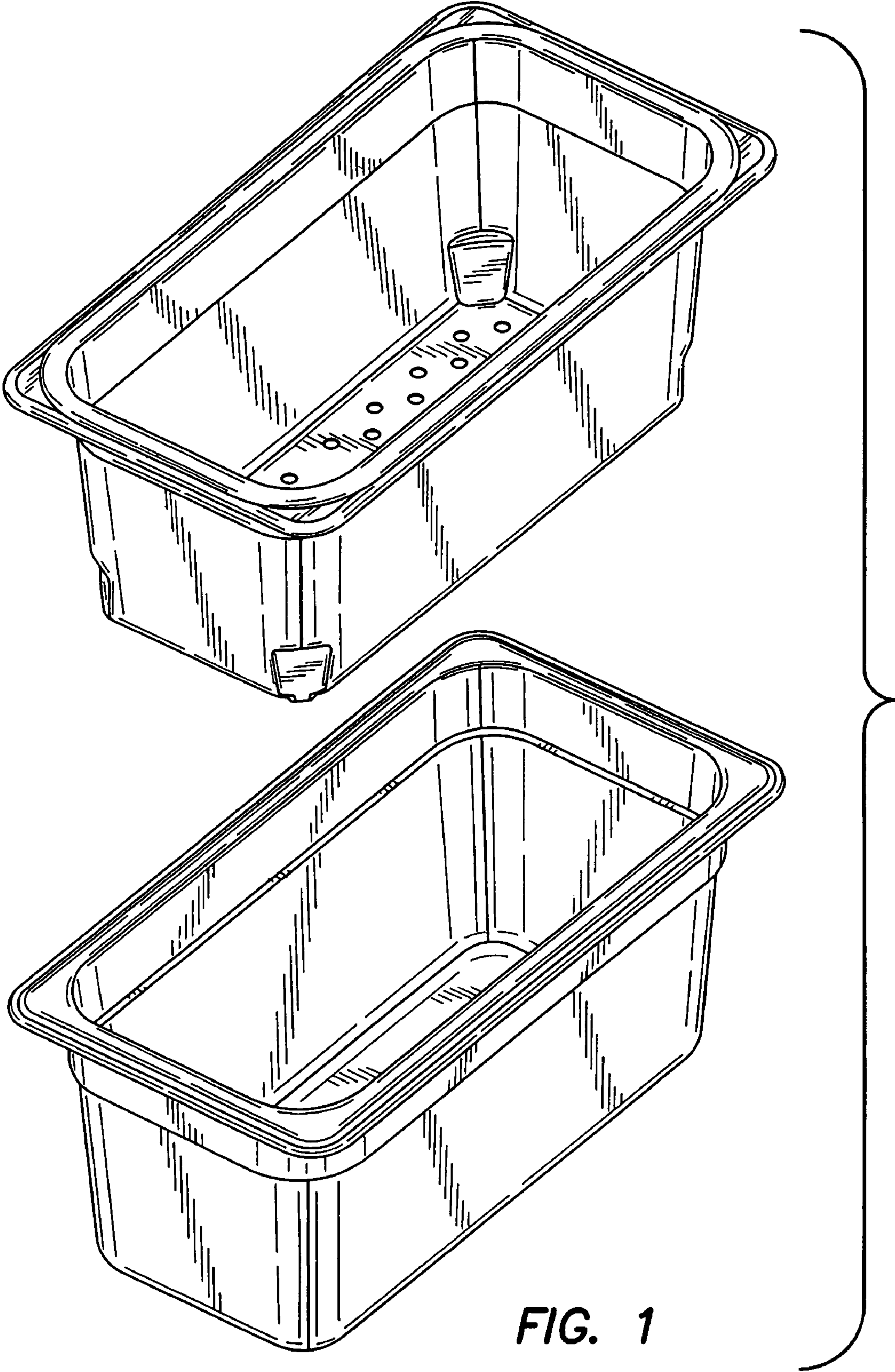
FIG. 3 shows a front elevation view of the food pan, of FIG. 1;

FIG. 4 shows a side elevation view of the food pan of FIG. 1; and,

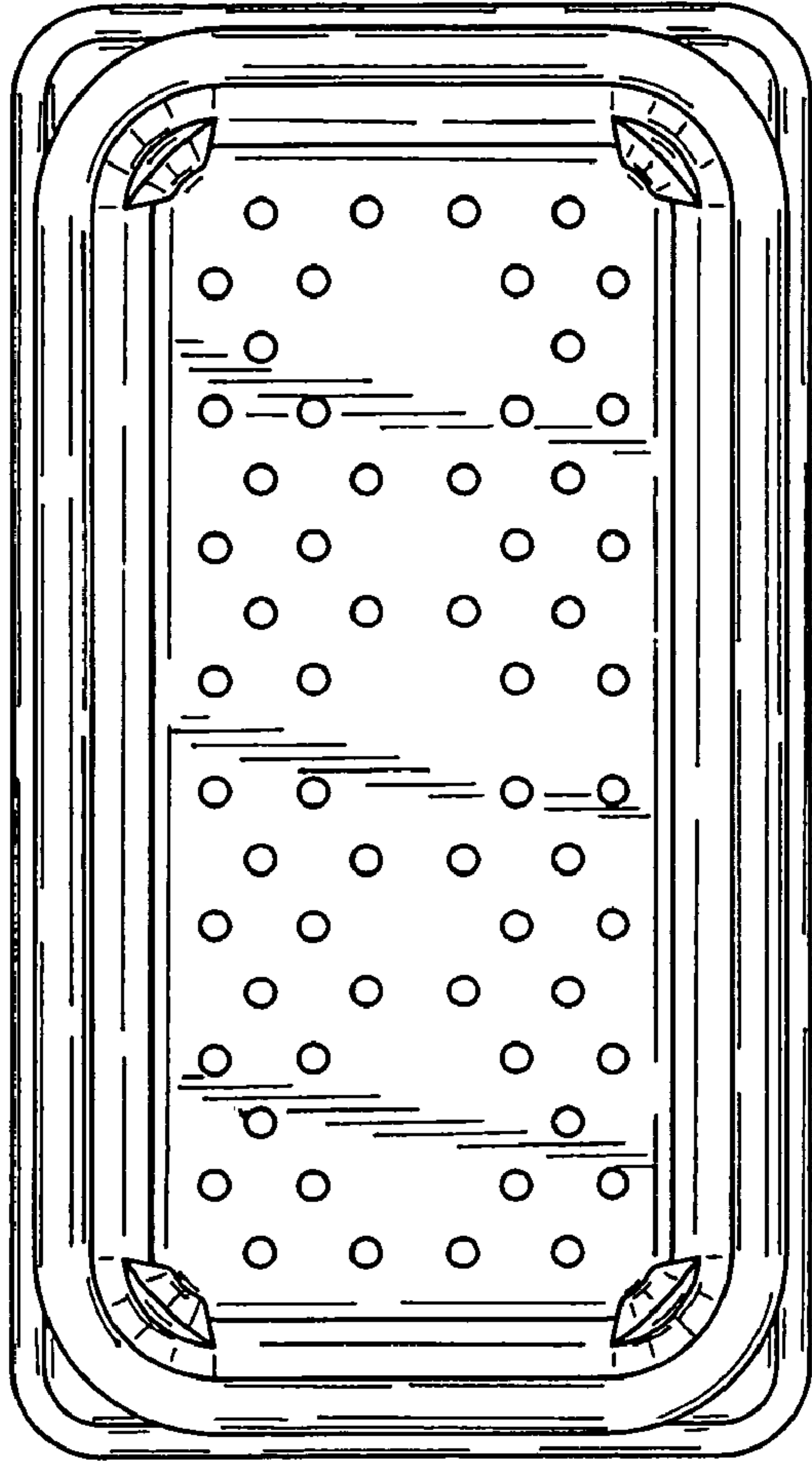
FIG. 5 shows a bottom plan view of the lower portion of the food pan, shown separately for ease of illustration.

**1 Claim, 4 Drawing Sheets**



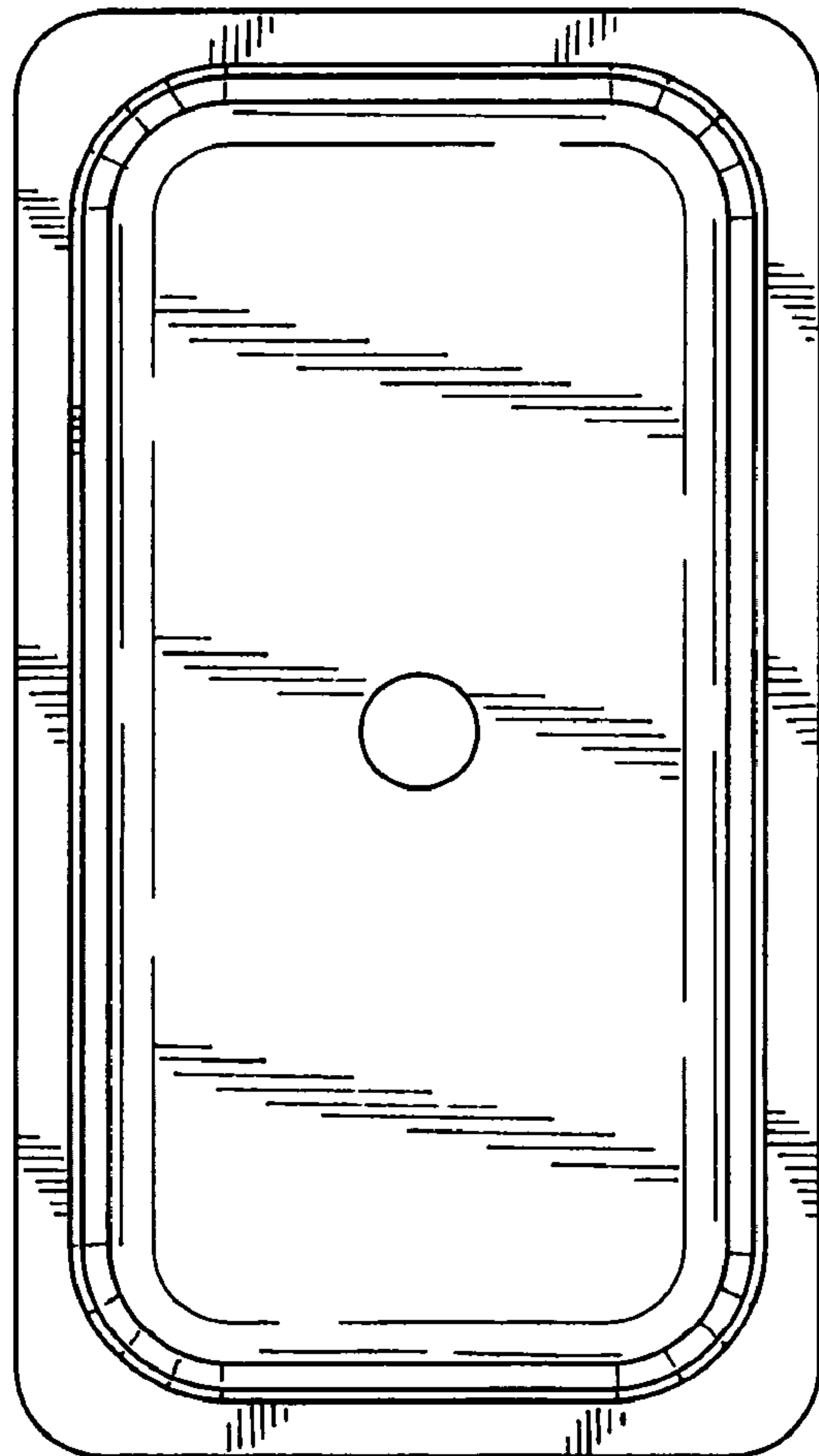


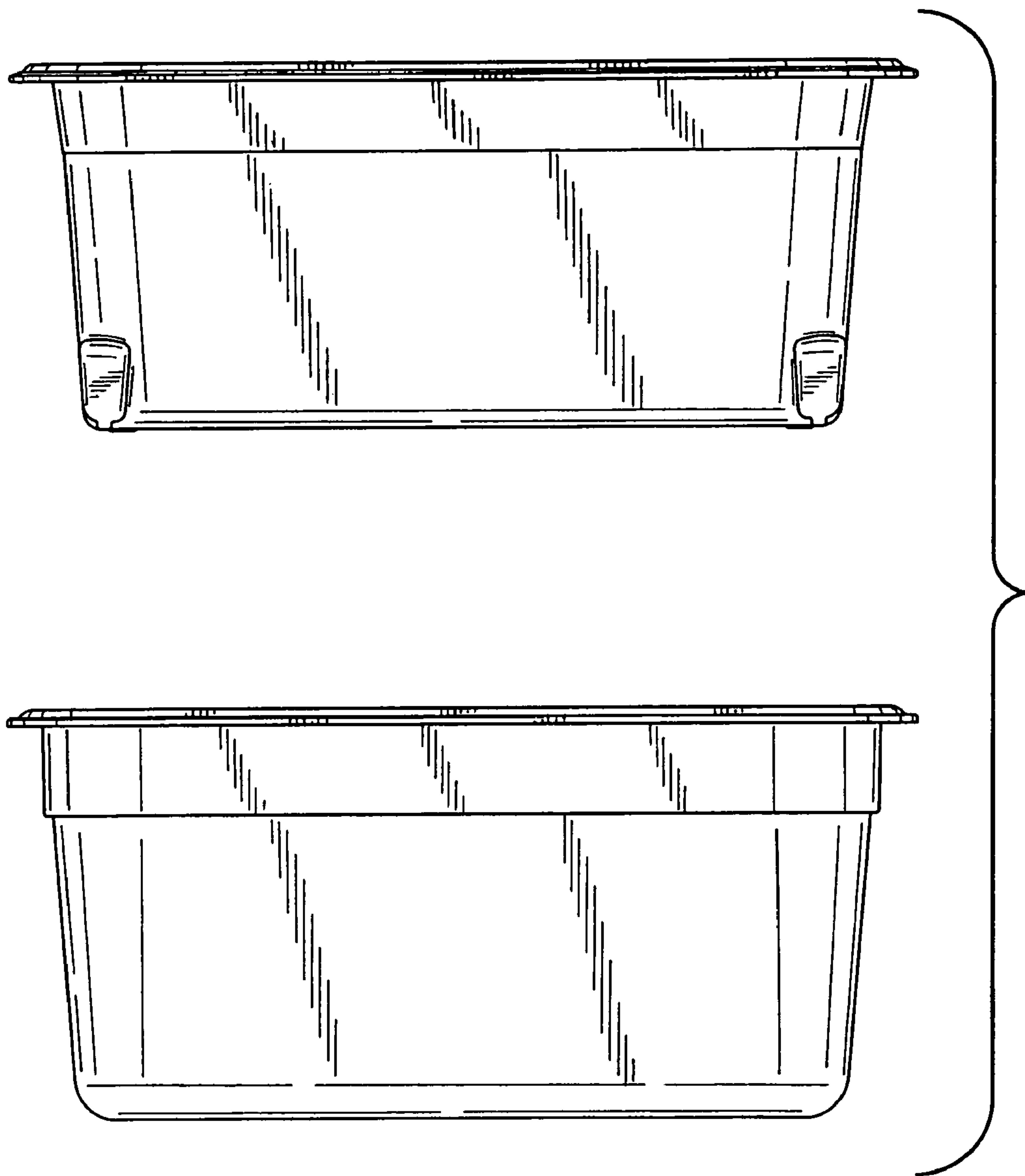
**FIG. 1**



**FIG. 2**

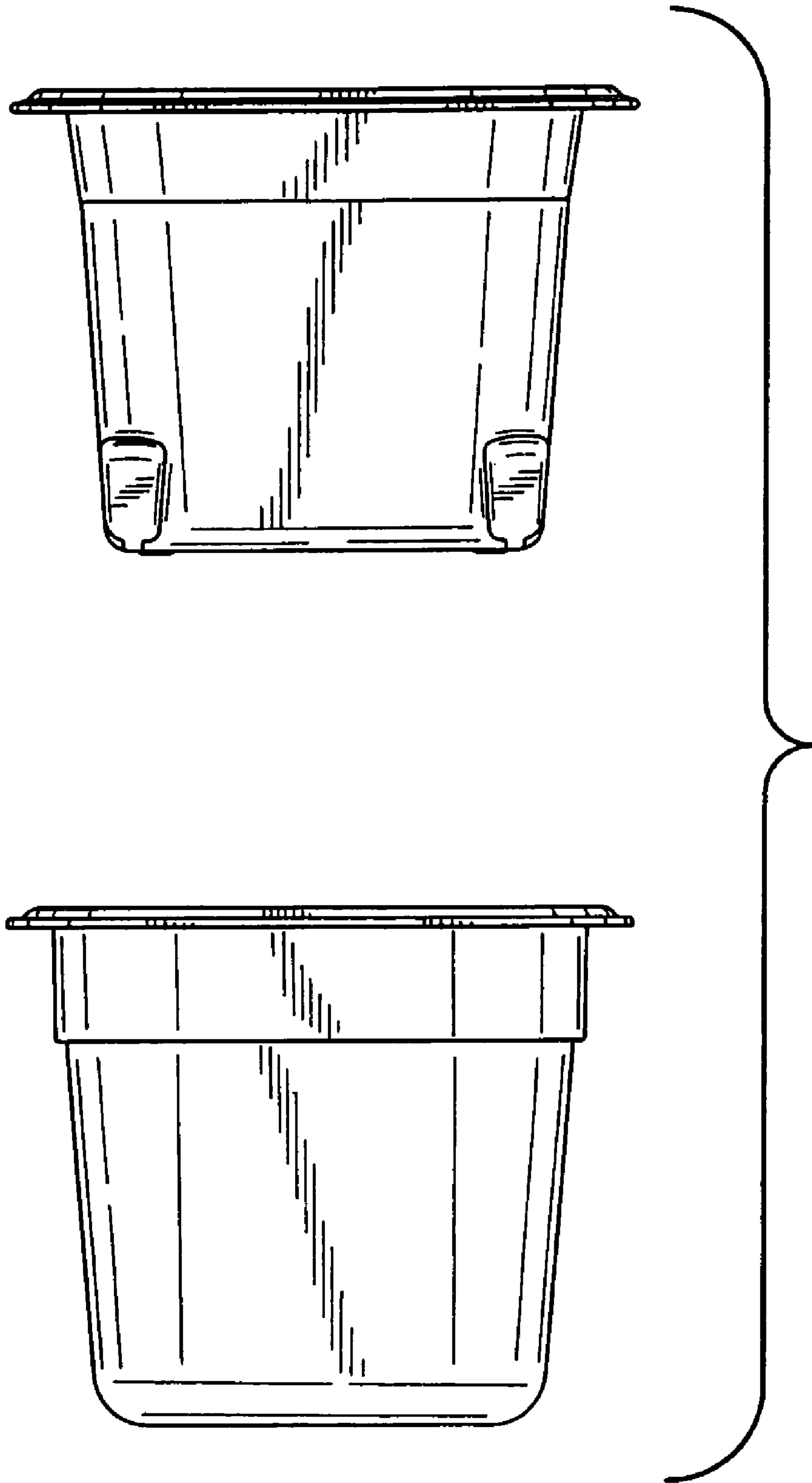
**FIG. 5**





**FIG. 3**





**FIG. 4**