



US00D569166S

(12) **United States Design Patent**
Borin

(10) **Patent No.:** **US D569,166 S**

(45) **Date of Patent:** **** May 20, 2008**

(54) **TOASTER**

(75) Inventor: **Giacomo Borin**, Pordenone (IT)

(73) Assignee: **De'Longhi S.p.A.**, Treviso (IT)

(**) Term: **14 Years**

(21) Appl. No.: **29/292,725**

(22) Filed: **Oct. 25, 2007**

(30) **Foreign Application Priority Data**

Apr. 26, 2007 (EM) 713516

(51) **LOC (8) Cl.** **07-02**

(52) **U.S. Cl.** **D7/330**

(58) **Field of Classification Search** D7/323,
D7/328-333, 385, 390, 340, 341, 346, 354-365,
D7/367, 402, 405-411; D13/158, 162, 162.1,
D13/163; 99/327, 331, 332, 357; 219/214,
219/388, 405, 443.1

See application file for complete search history.

(56) **References Cited**

U.S. PATENT DOCUMENTS

D440,460 S * 4/2001 Davis et al. D7/330
D445,629 S * 7/2001 Davis et al. D7/330
D470,355 S * 2/2003 Xie et al. D7/330
D470,709 S * 2/2003 Starr et al. D7/330

D488,664 S * 4/2004 Seum et al. D7/330
D502,629 S * 3/2005 Guyett et al. D7/330
D509,702 S * 9/2005 Picozza et al. D7/330
D523,683 S * 6/2006 Guyett et al. D7/330
D527,568 S * 9/2006 Page et al. D7/330
D551,017 S * 9/2007 Beesley et al. D7/330
D551,488 S * 9/2007 Ting et al. D7/330

* cited by examiner

Primary Examiner—Mimosa De

Assistant Examiner—Ricky Pham

(74) *Attorney, Agent, or Firm*—Hamre, Schumann, Mueller
& Larson, P.C.

(57) **CLAIM**

The ornamental design for a toaster, as shown and described.

DESCRIPTION

FIG. 1 is a perspective view of a toaster in accordance with my invention thereof;

FIG. 2 is a front view thereof;

FIG. 3 is a left side view thereof;

FIG. 4 is a right side view thereof;

FIG. 5 is a back view thereof;

FIG. 6 is a top view thereof; and,

FIG. 7 is a bottom view thereof.

1 Claim, 7 Drawing Sheets

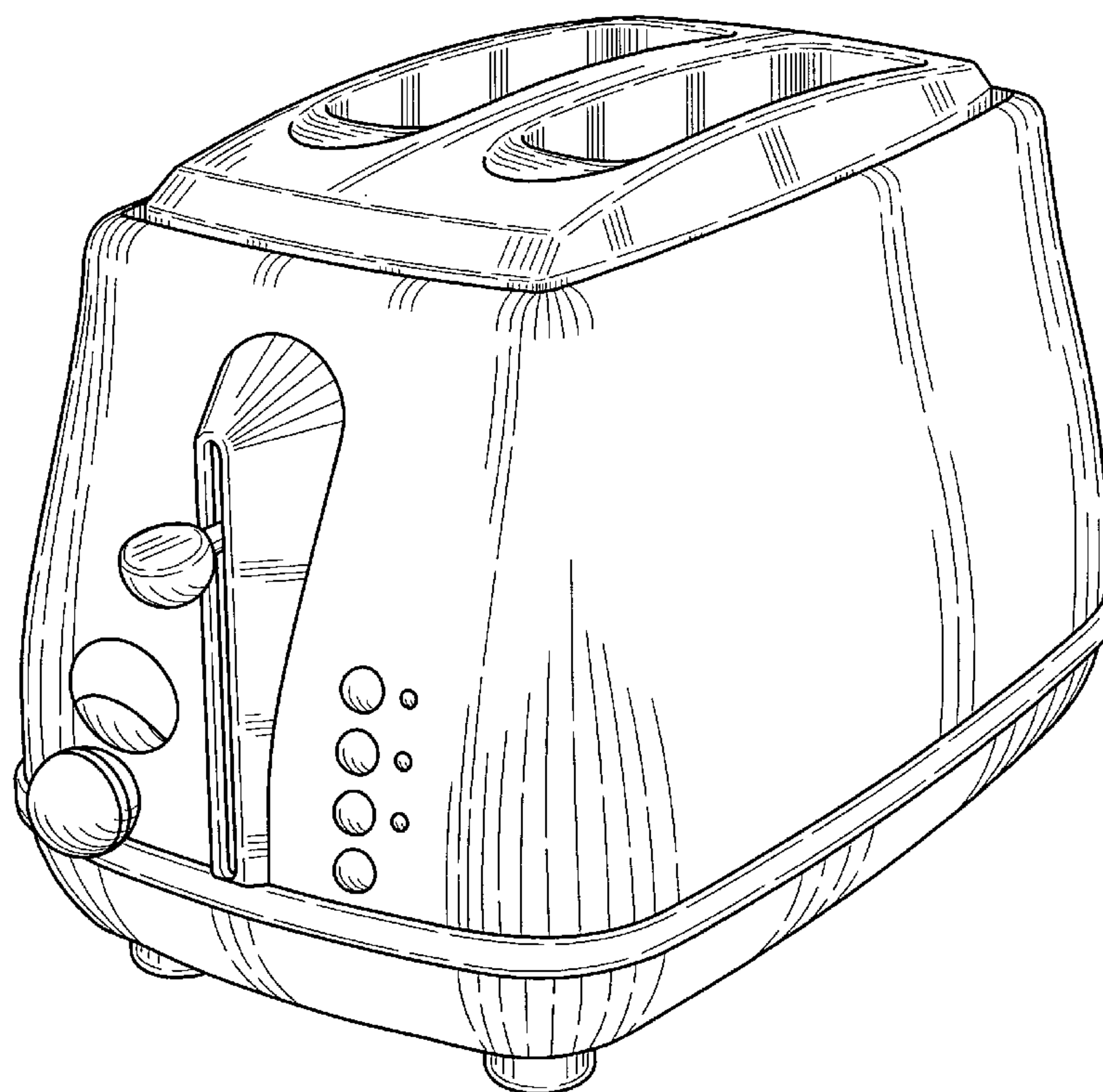


Fig. 1

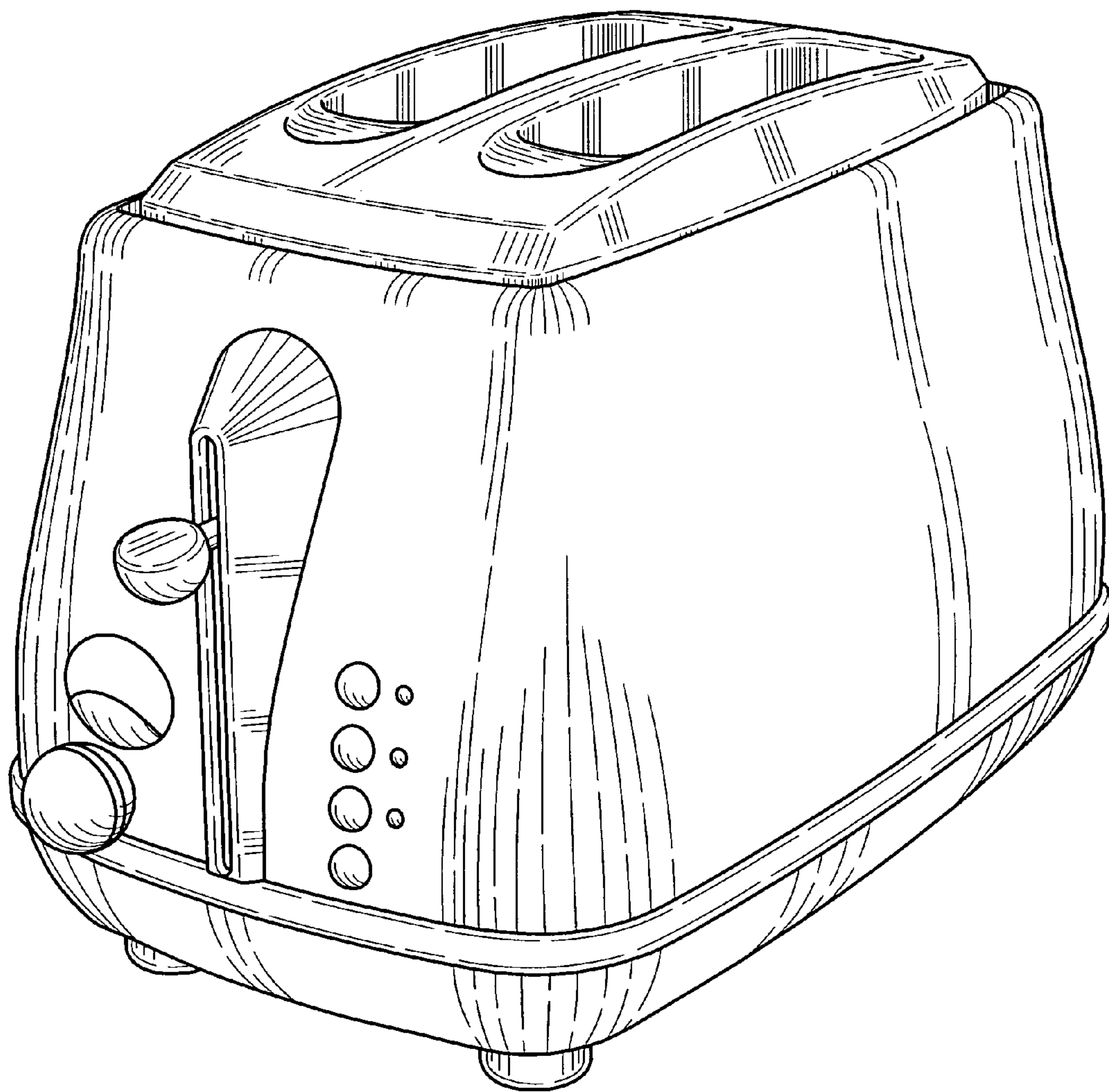
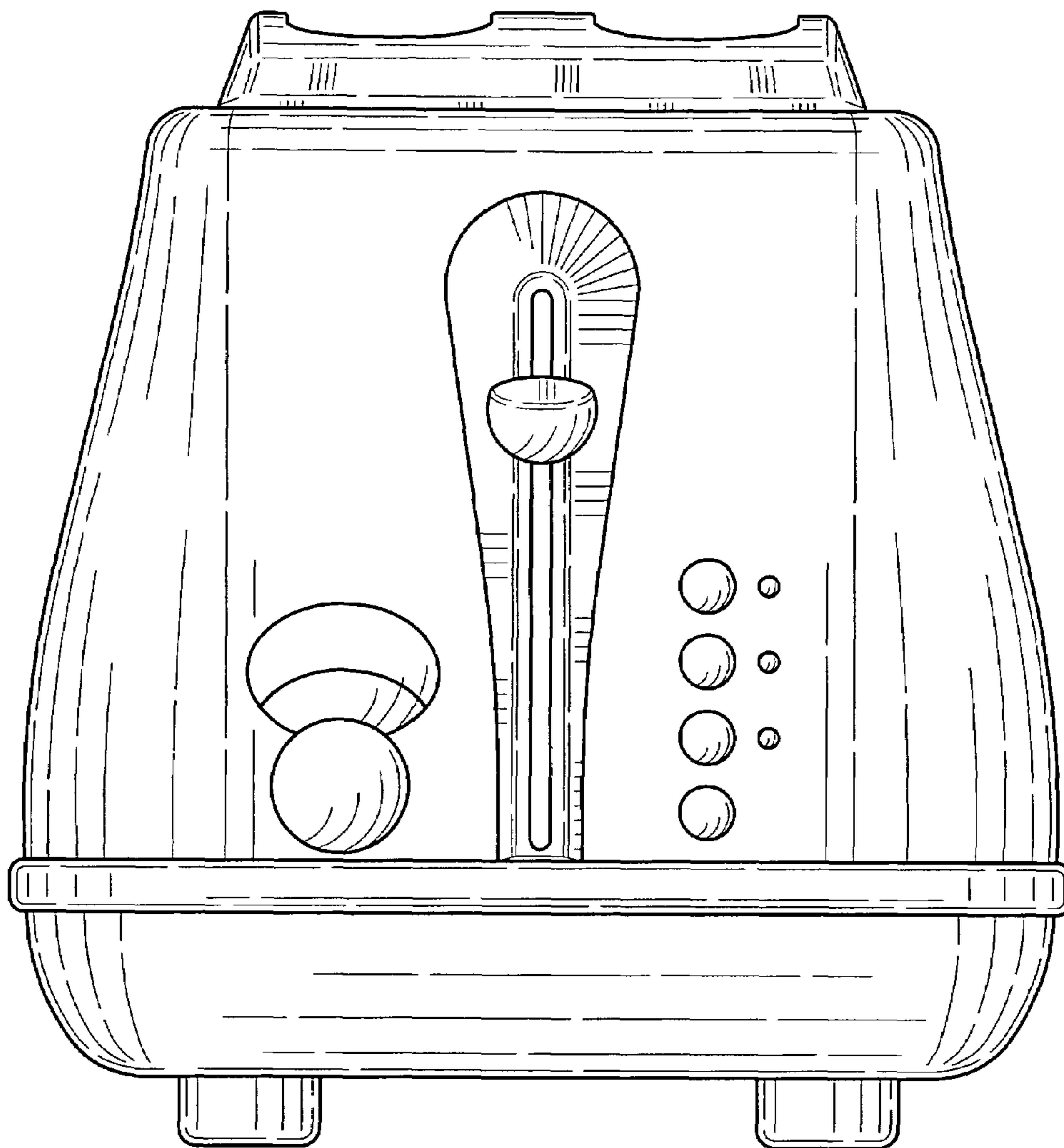


Fig. 2



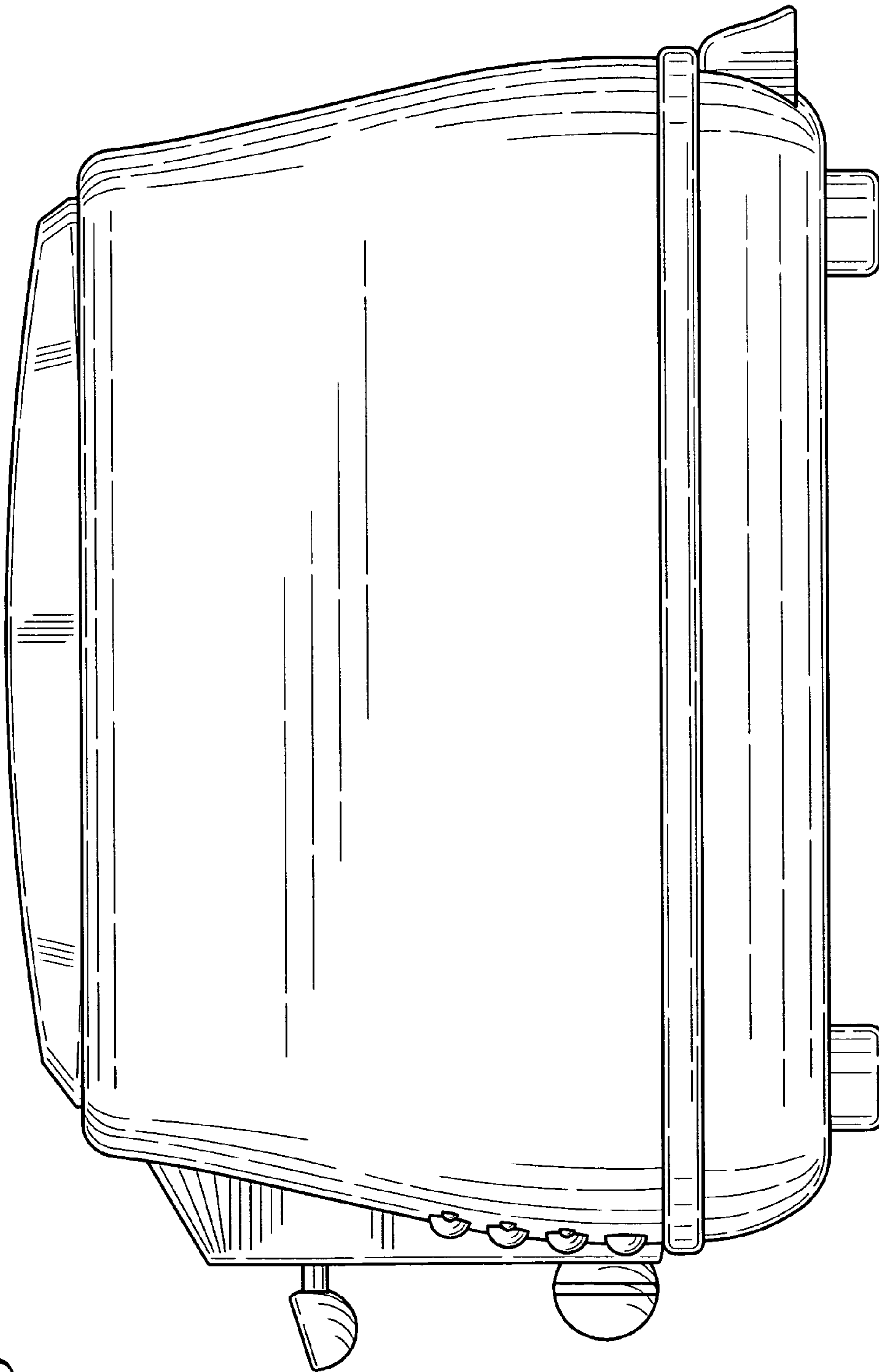


Fig. 3

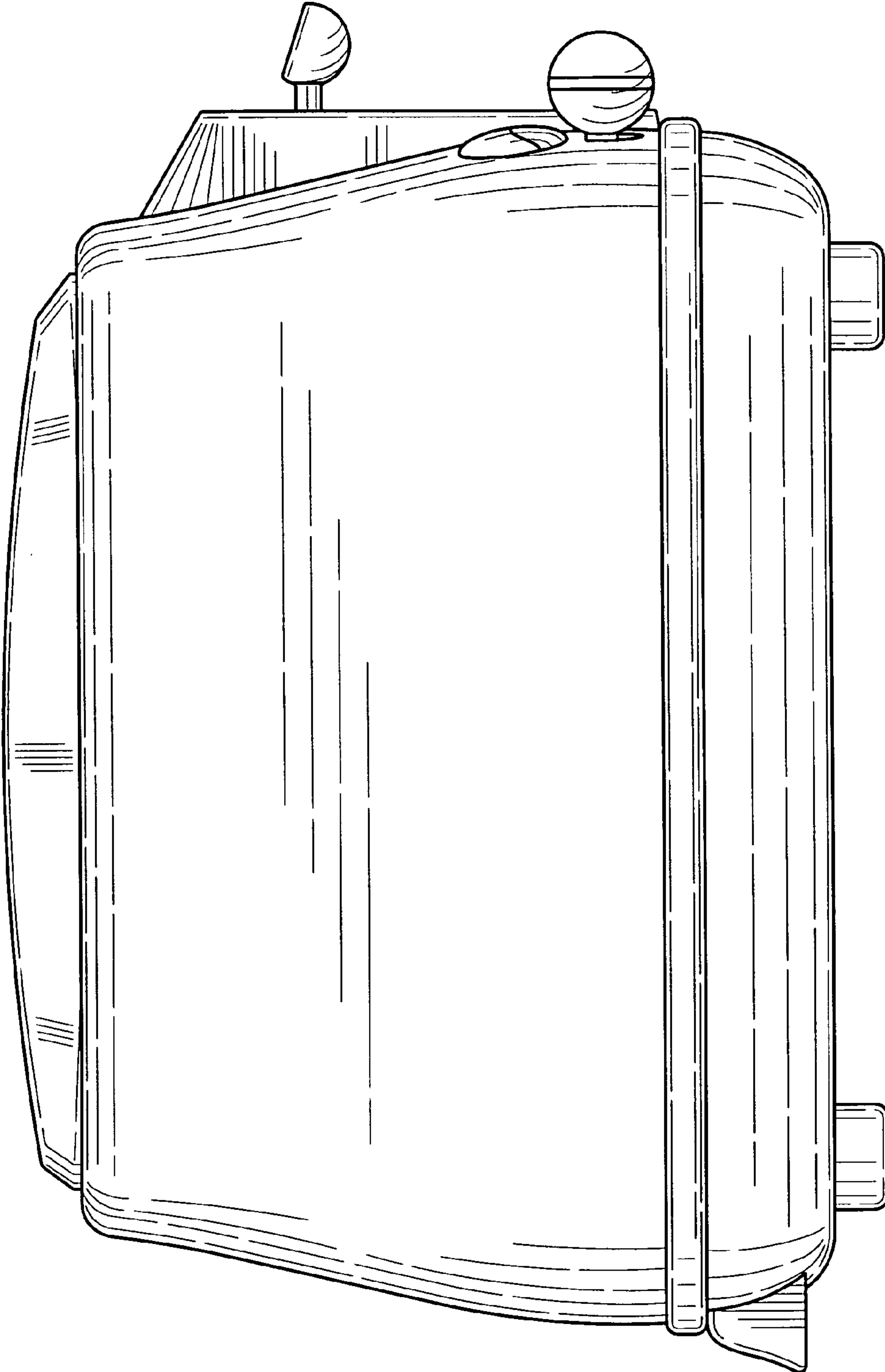


Fig. 4

Fig. 5

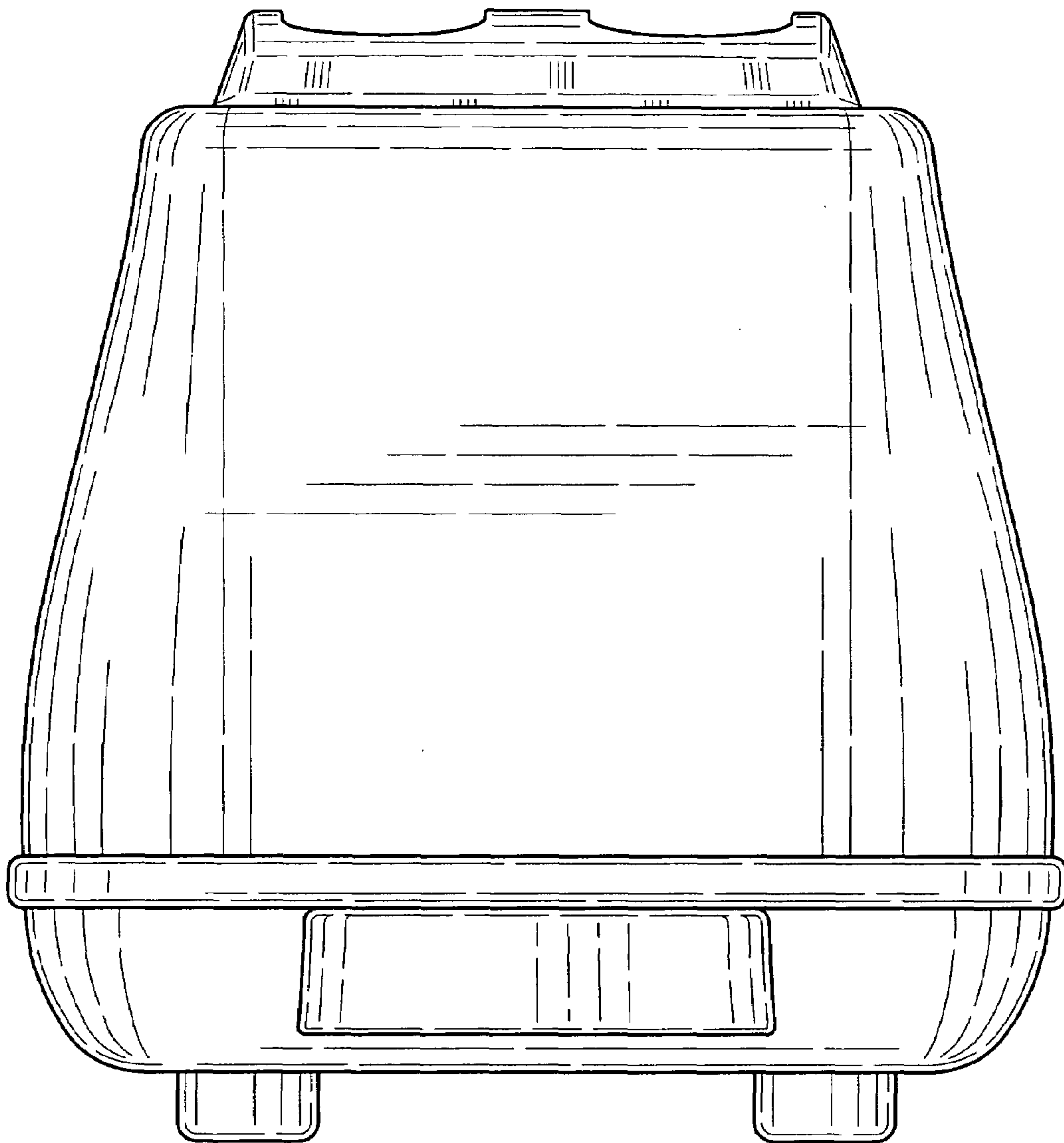


Fig. 6

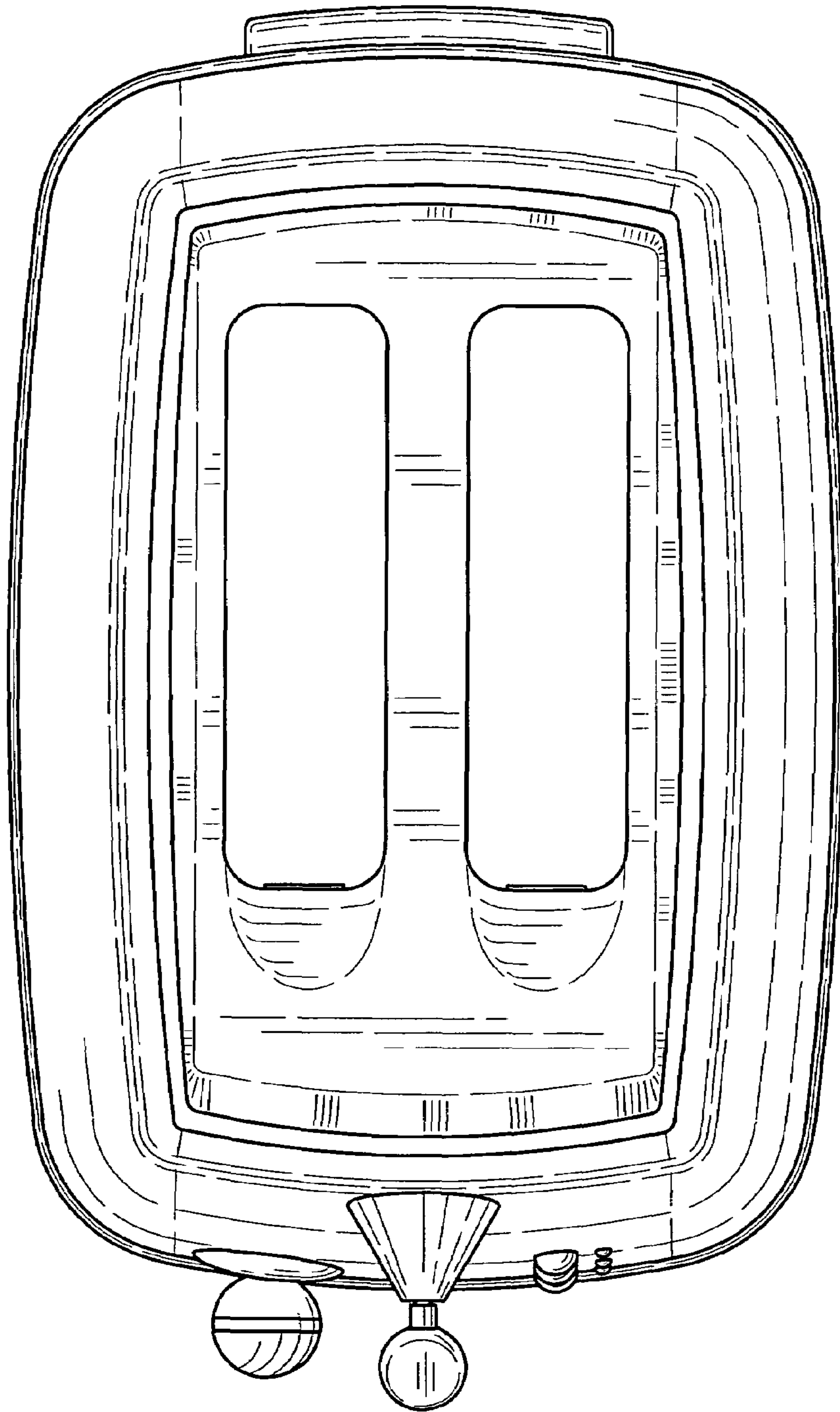


Fig. 7

