



US00D569163S

(12) **United States Design Patent**  
**Gu**

(10) **Patent No.:** **US D569,163 S**

(45) **Date of Patent:** **\*\* May 20, 2008**

(54) **FOUR BOTTLE ICE DRINK DISPENSER**

(76) Inventor: **Yi Lin Gu**, 2/F., B Flat, 3rd Phase,  
Wanli Science & Technology Park,  
Futian Duty Free Zone, Shenzhen,  
Guangdong Province (CN)

(\*\*) Term: **14 Years**

(21) Appl. No.: **29/281,000**

(22) Filed: **Jun. 13, 2007**

(51) **LOC (8) Cl.** ..... **07-01**

(52) **U.S. Cl.** ..... **D7/307; D7/308; D7/311**

(58) **Field of Classification Search** ..... **D7/306-308,**  
**D7/311, 309, 310; 222/129.1, 185.1, 146.5;**  
**99/275**

See application file for complete search history.

(56) **References Cited**

**U.S. PATENT DOCUMENTS**

D30,534 S *	4/1899	Rosenberg	.....	D7/308
D83,197 S *	2/1931	Harper	.....	D7/301
D154,291 S *	6/1949	Levin	.....	D7/307
D217,691 S *	5/1970	Earp	.....	D7/313
D317,383 S *	6/1991	Brill et al.	.....	D6/455
D358,289 S *	5/1995	Thies et al.	.....	D7/306

D366,095 S *	1/1996	Farley	.....	D23/209
D463,194 S *	9/2002	Busick et al.	.....	D7/313
D464,226 S *	10/2002	Lassota et al.	.....	D7/306
D491,408 S *	6/2004	Clark et al.	.....	D7/306
D505,823 S *	6/2005	Turner	.....	D7/307
D528,343 S *	9/2006	Ham	.....	D7/306

\* cited by examiner

*Primary Examiner*—Marianne Pandozzi  
*Assistant Examiner*—J. Scott

(57) **CLAIM**

The ornamental design for a four bottle ice drink dispenser, as shown.

**DESCRIPTION**

FIG. 1 is a front elevational view of a four bottle ice drink dispenser showing my new design;

FIG. 2 is a rear elevational view thereof;

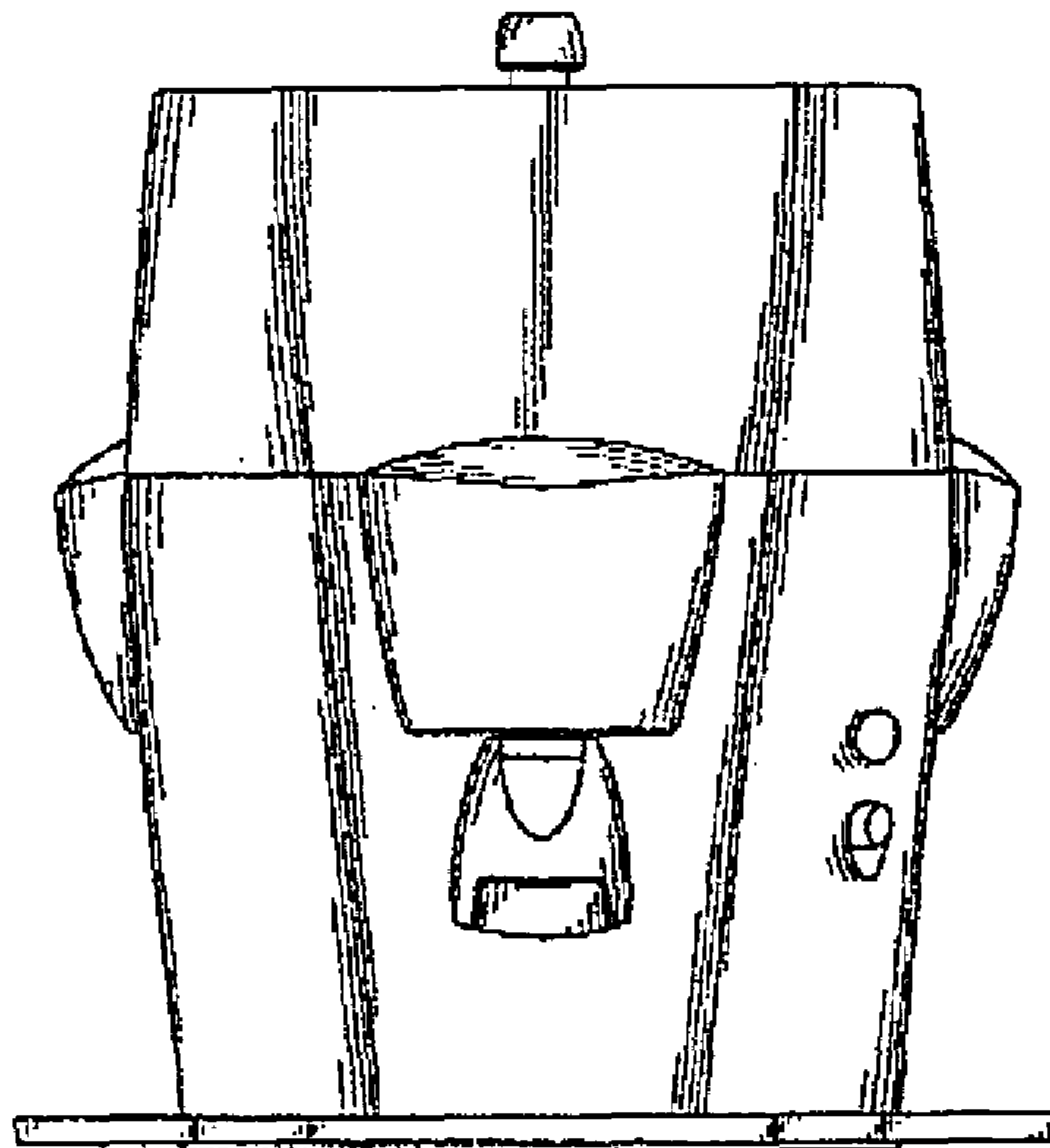
FIG. 3 is a left side view thereof;

FIG. 4 is a right side view thereof;

FIG. 5 is a top plan view thereof; and,

FIG. 6 is a bottom plan view thereof.

**1 Claim, 2 Drawing Sheets**



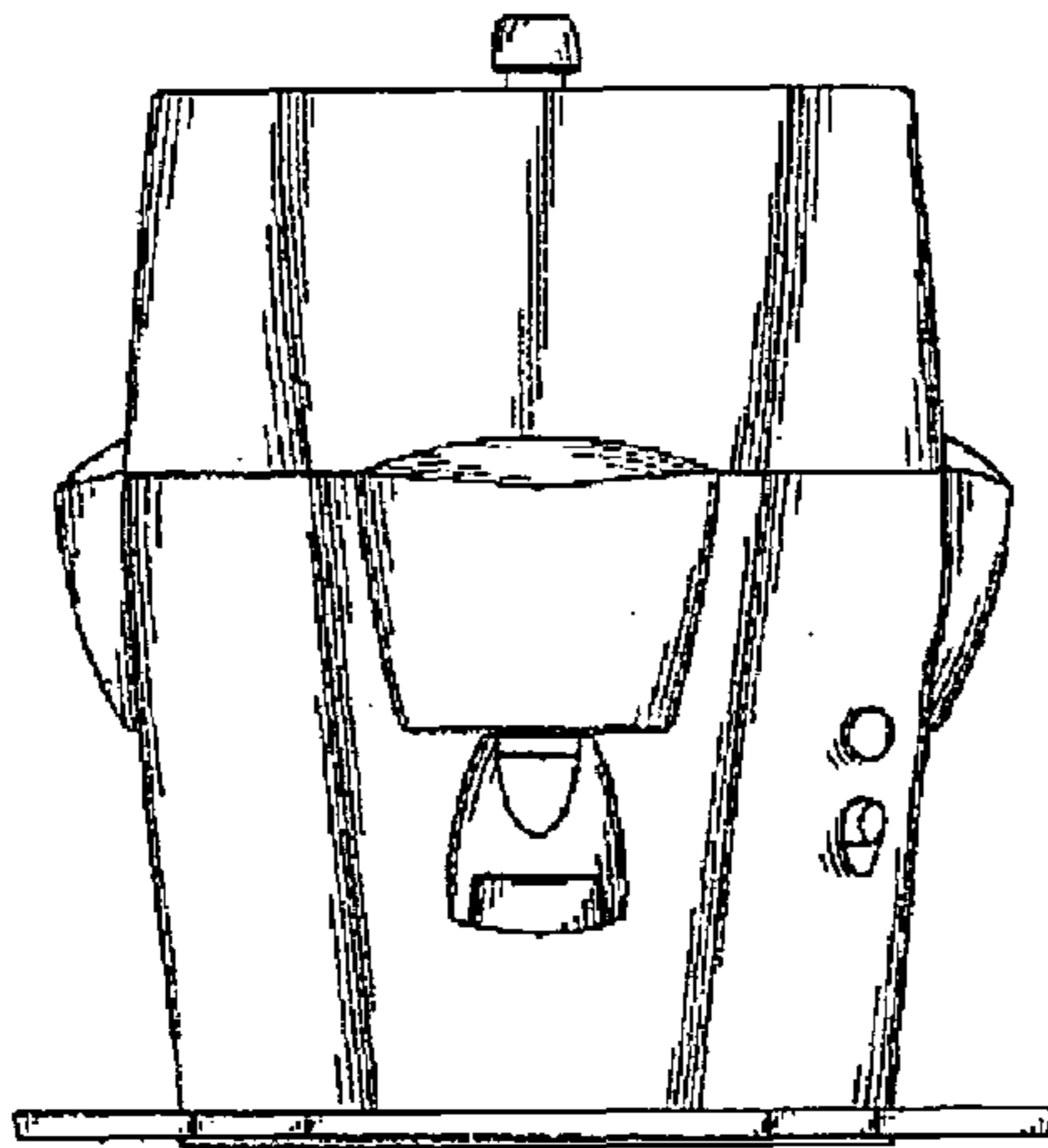


Fig. 1

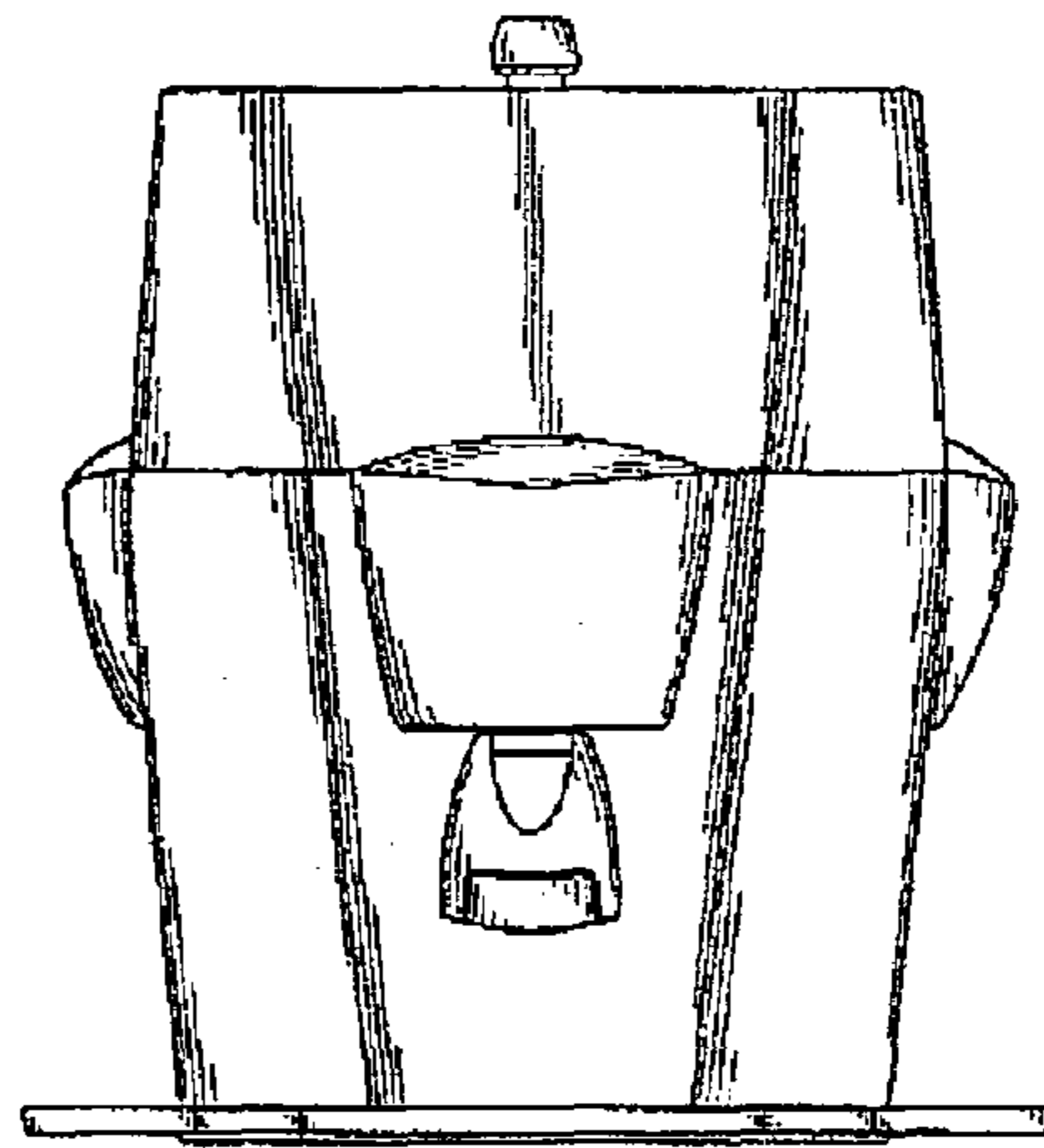


Fig. 2

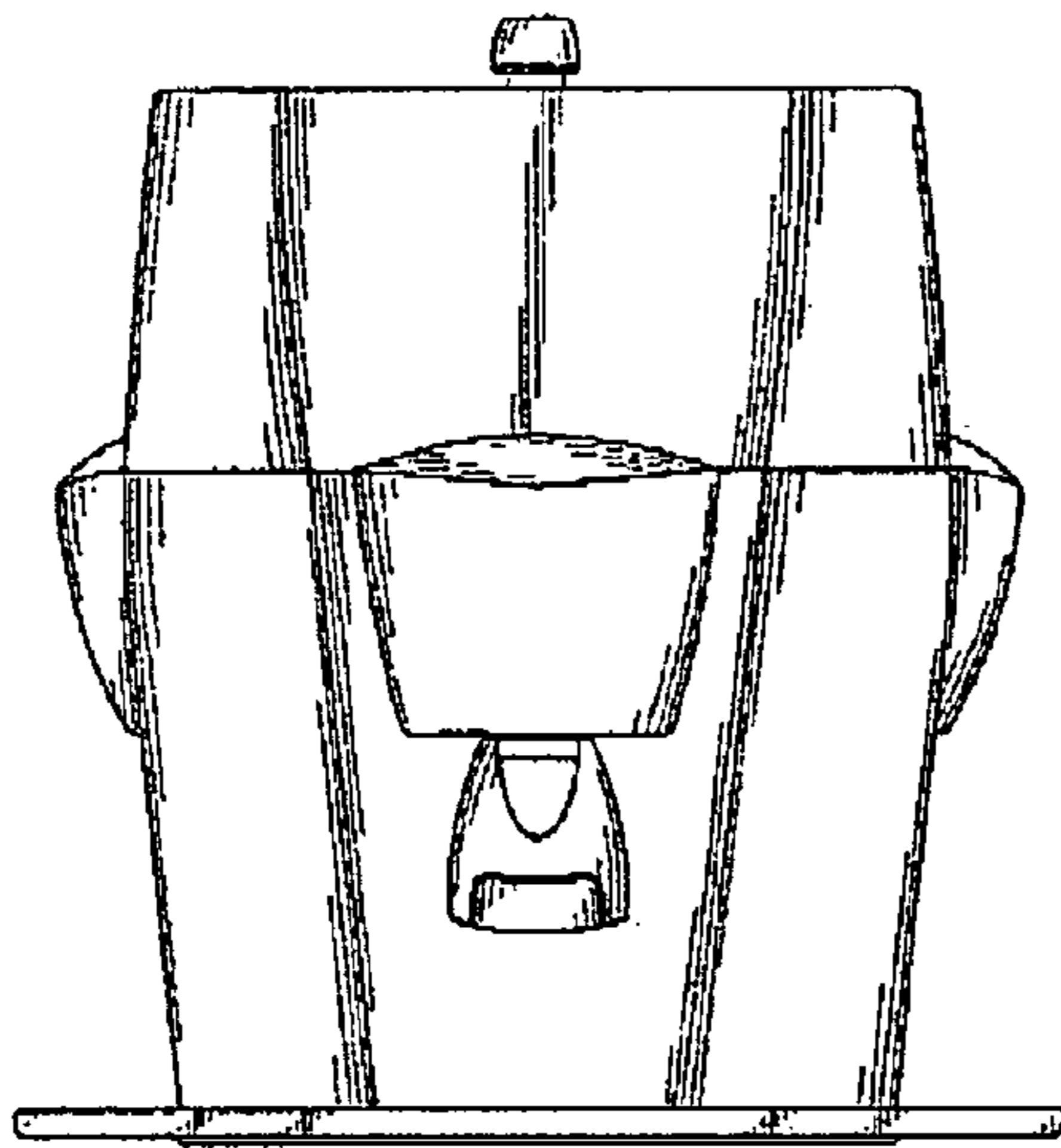


Fig. 3

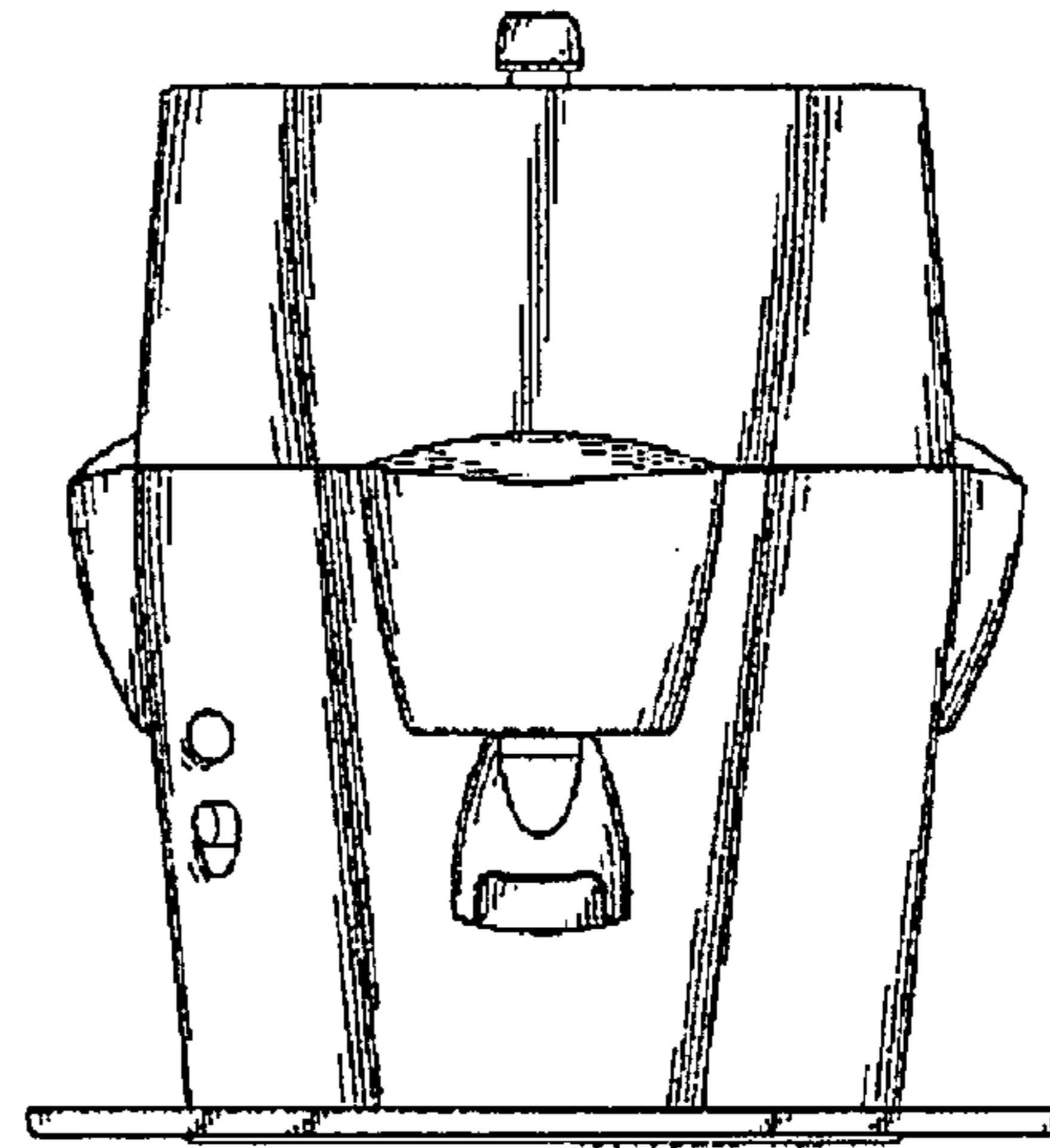


Fig. 4

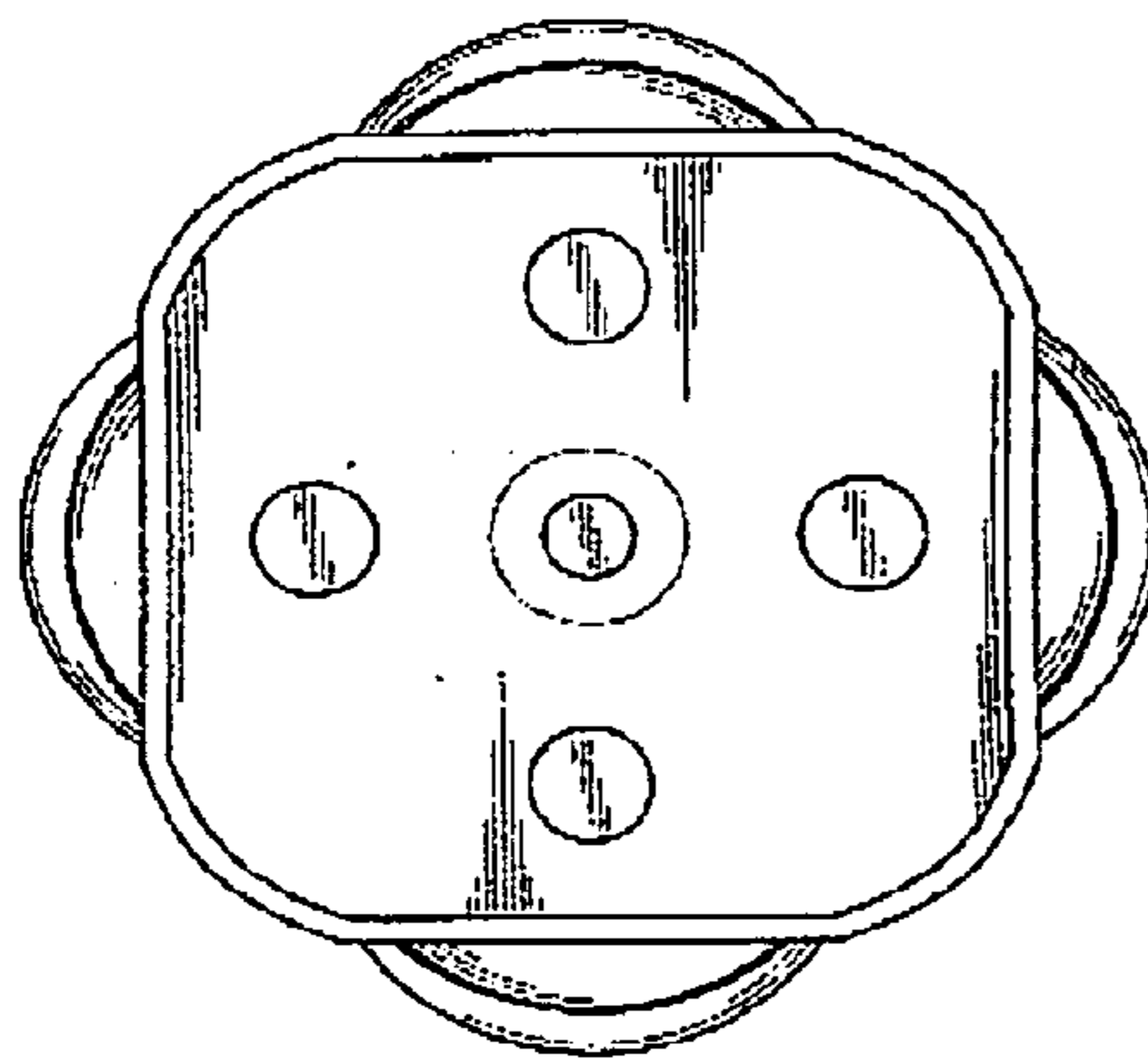


Fig. 5

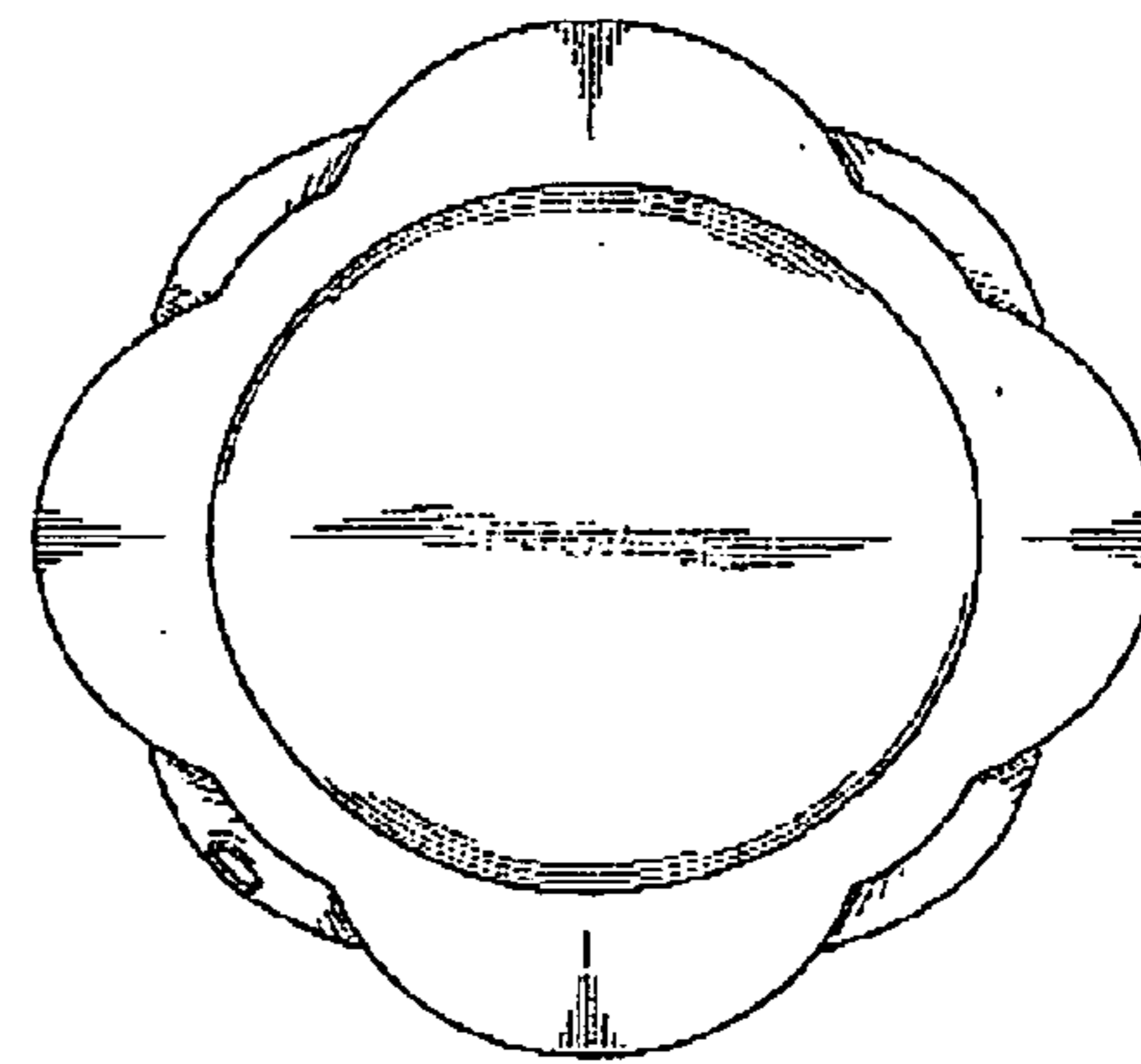


Fig. 6