



US00D569160S

(12) **United States Design Patent**
Mossbeck

(10) **Patent No.:** **US D569,160 S**

(45) **Date of Patent:** **** May 20, 2008**

(54) **WAFFLE-CUT FOAM CUSHION**

(75) Inventor: **Nie S. Mossbeck**, Carthage, MO (US)

(73) Assignee: **L & P Property Management Company**, South Gate, CA (US)

(**) Term: **14 Years**

(21) Appl. No.: **29/248,925**

(22) Filed: **Sep. 11, 2006**

(51) **LOC (8) Cl.** **06-09**

(52) **U.S. Cl.** **D6/601**

(58) **Field of Classification Search** D6/586,
D6/595, 596, 601, 604-606; 5/500, 630,
5/632, 636, 648, 652-654, 655.3, 655.9,
5/665, 722, 731, 736, 901; D24/183; 428/101,
428/158, 160, 176, 180, 181, 183, 184, 316.6;
297/4, 181, 183.1, 183.5, 183.9, 219.1, 351,
297/452.16, 452.23, 452.46, 452.48; D1/125-129;
D5/47; 52/667; 15/215, 238, 239; 426/144
See application file for complete search history.

(56) **References Cited**

U.S. PATENT DOCUMENTS

678,514 A *	7/1901	Regnier	426/144
2,512,310 A *	6/1950	Corson	15/215
3,197,357 A *	7/1965	Schulpen	428/158
3,222,697 A *	12/1965	Scheermesser	428/160
D207,487 S *	4/1967	Briggs et al.	D5/47
3,940,811 A	3/1976	Tomikawa et al.	
4,109,439 A *	8/1978	Feasel	52/667
4,207,636 A *	6/1980	Ceriani	428/101
4,700,447 A	10/1987	Spann	
4,713,854 A	12/1987	Graebe	
4,866,800 A	9/1989	Bedford	

D307,687 S *	5/1990	Raburn	D6/606
D307,688 S *	5/1990	Schaefer	D6/606
D307,689 S *	5/1990	Schaefer	D6/606
D307,690 S *	5/1990	Raburn	D6/606
5,249,319 A	10/1993	Higgs	
5,488,746 A *	2/1996	Hudson	5/500
5,614,237 A *	3/1997	Clow et al.	426/144
6,668,409 B1	12/2003	Blumer	

* cited by examiner

Primary Examiner—Caron D. Veynar

Assistant Examiner—Mary Ann Calabrese

(74) *Attorney, Agent, or Firm*—Sterne, Kessler, Goldstein & Fox P.L.L.C.

(57) **CLAIM**

The ornamental design for a waffle-cut foam cushion, as shown and described.

DESCRIPTION

FIG. 1 is a perspective view of a waffle-cut foam cushion showing my design;

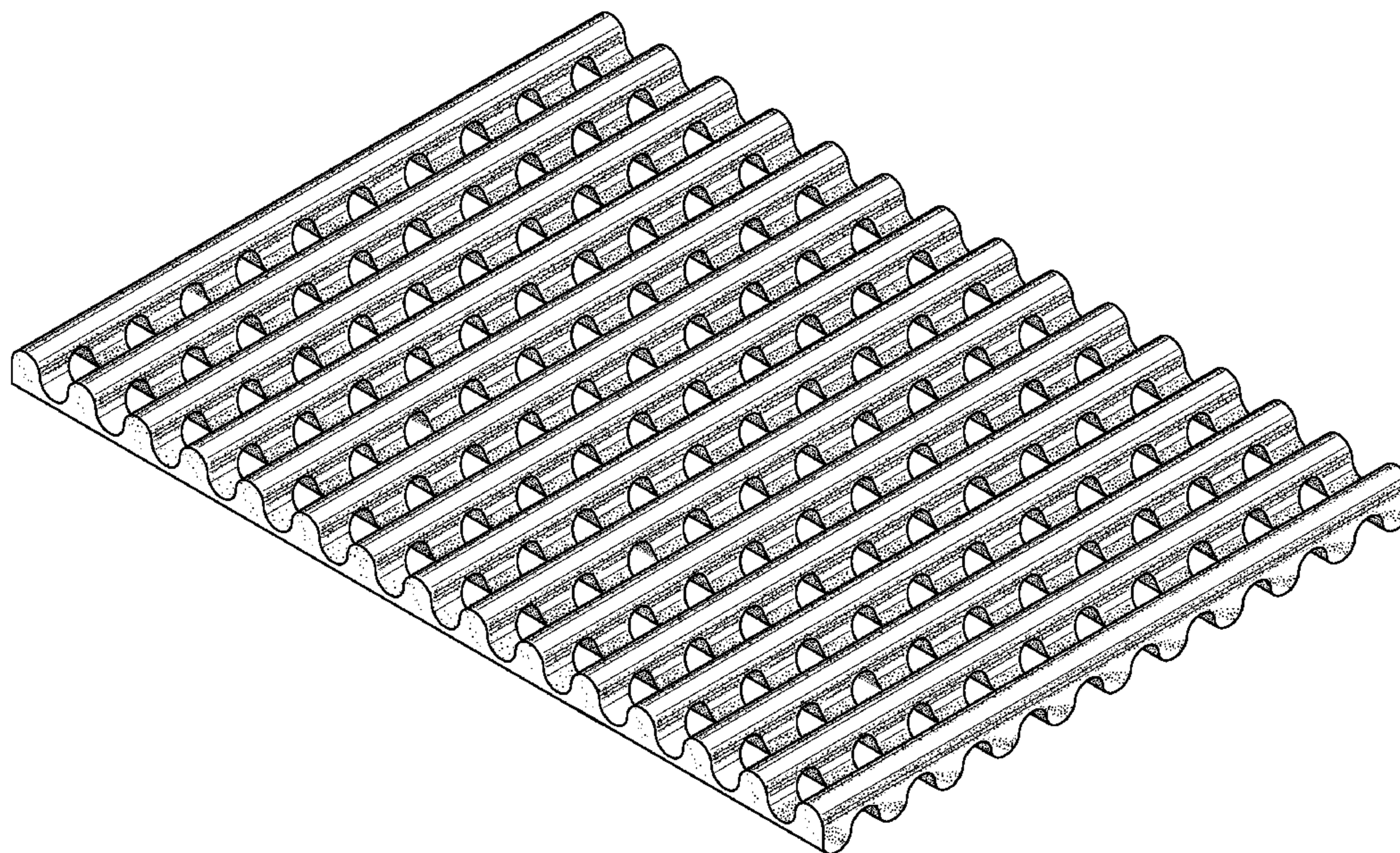
FIG. 2 is an enlarged side elevational view of the waffle-cut foam cushion of FIG. 1, the right side being a mirror image thereof shown broken away for ease of disclosure on the drawing page;

FIG. 3 is an enlarged front elevational view taken of the waffle-cut foam cushion of FIG. 1, the rear view being a mirror image thereof shown broken away for ease of disclosure on the drawing page;

FIG. 4 is an enlarged fragmentary top plan view of a portion of the waffle-cut foam cushion of FIG. 1; and,

FIG. 5 is an enlarged fragmentary bottom view of a portion of the waffle-cut foam cushion of FIG. 1.

1 Claim, 4 Drawing Sheets



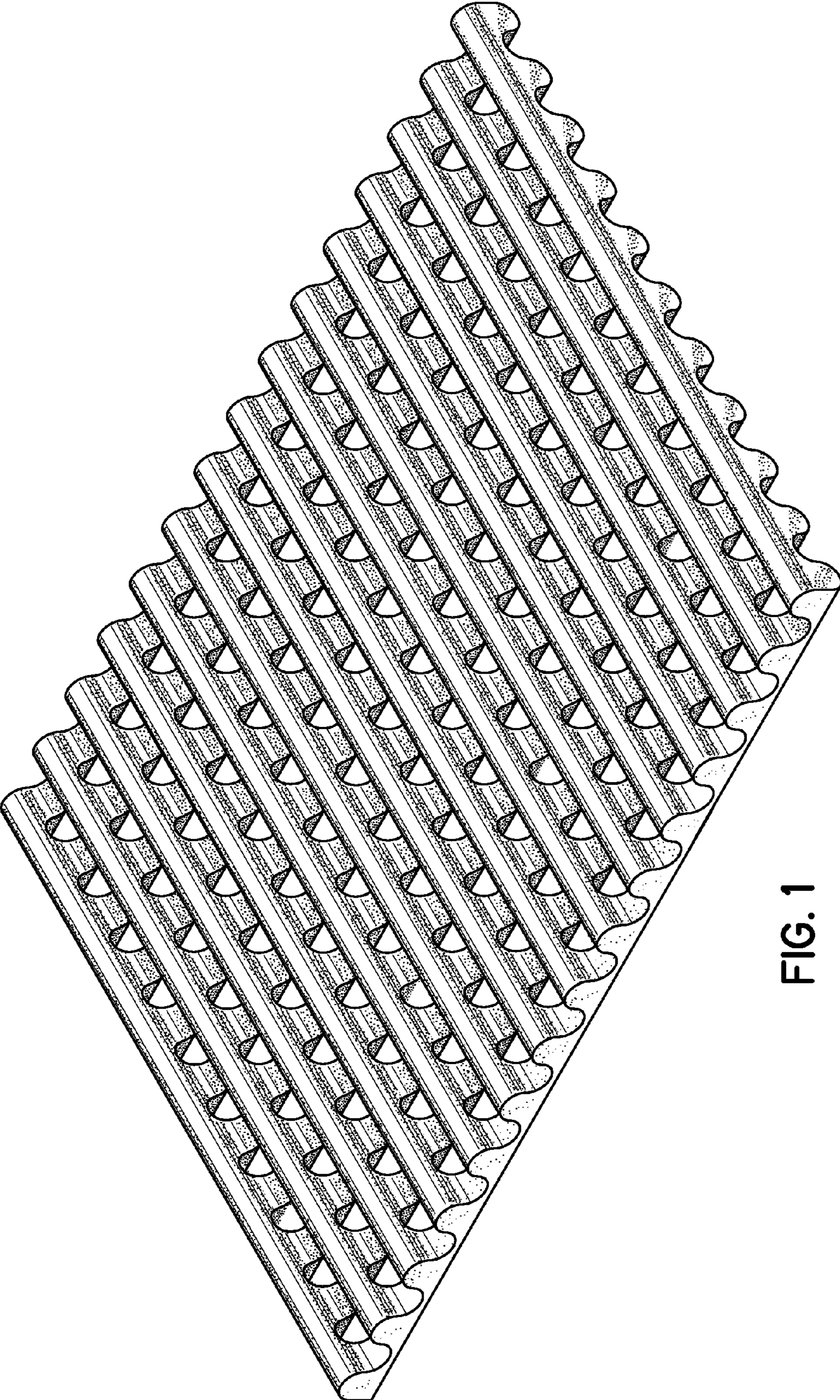


FIG. 1

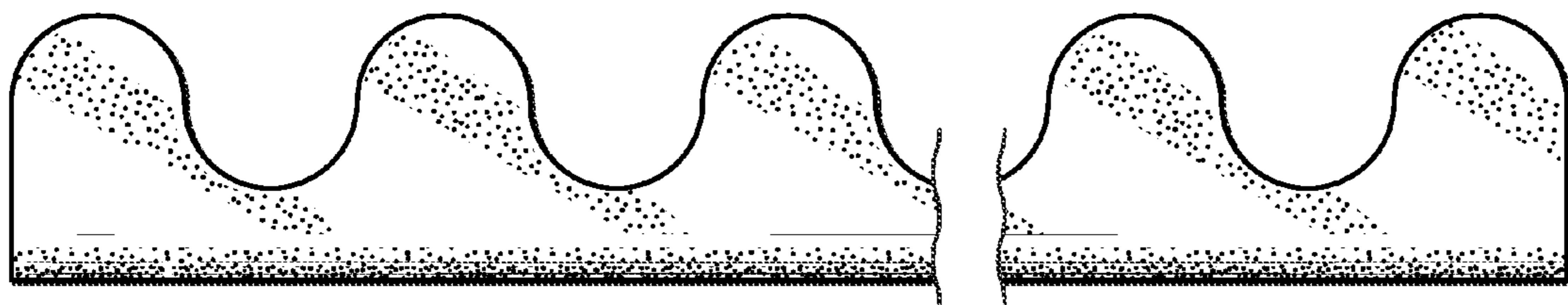


FIG. 2

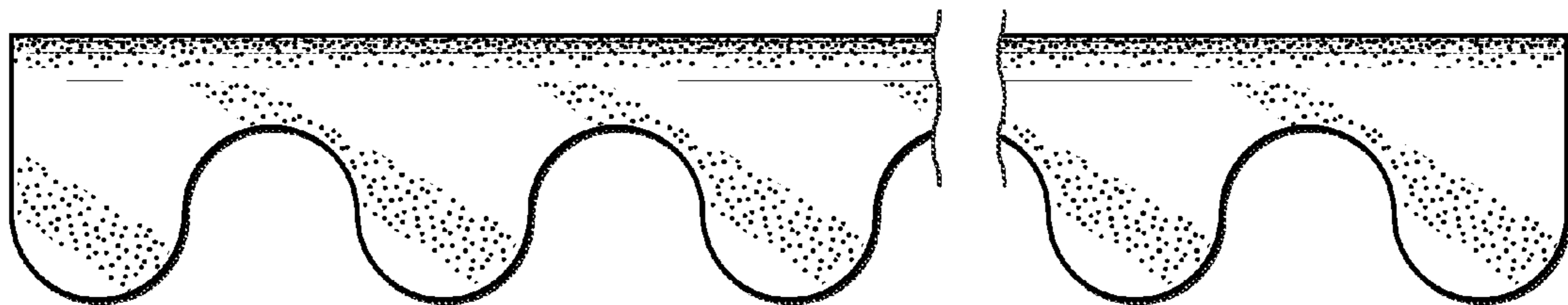


FIG. 3



FIG. 4

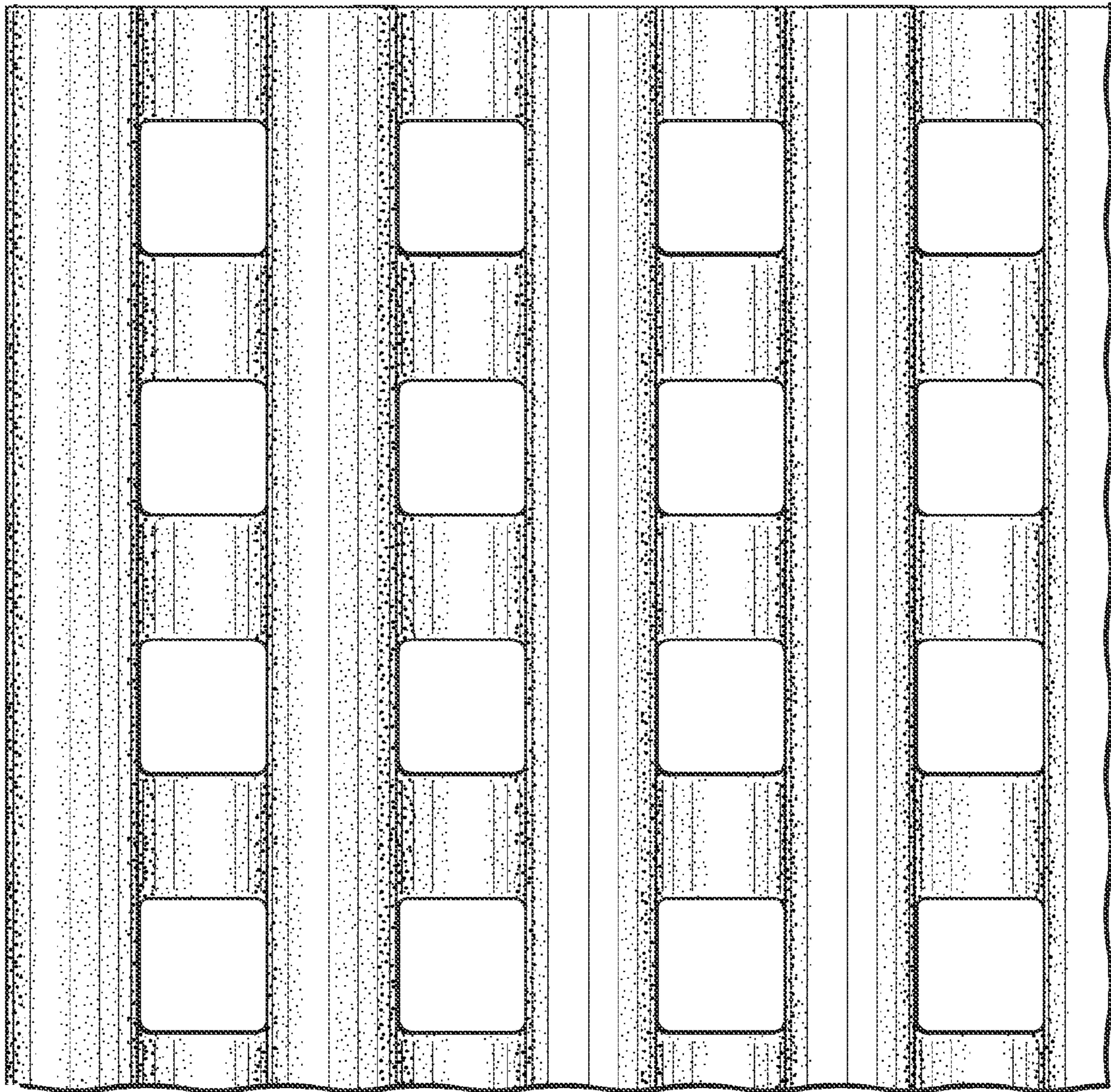


FIG. 5