

US00D569158S

(12) **United States Design Patent**  
**Chou**

(10) **Patent No.:** **US D569,158 S**

(45) **Date of Patent:** **\*\* May 20, 2008**

(54) **WHEEL SEAT FOR THE WINDOW  
CURTAIN'S PULLING STRING**

D506,341 S \* 6/2005 Gruner ..... D6/580  
D556,546 S \* 12/2007 Swanson et al. .... D8/354  
D558,039 S \* 12/2007 Skinner ..... D8/382  
2007/0277944 A1\* 12/2007 Wu ..... 160/330

(75) Inventor: **Tser Wen Chou**, Placentia, CA (US)

(73) Assignee: **Genes Industry, Inc.**, Placentia, CA (US)

\* cited by examiner

*Primary Examiner*—T. Chase Nelson

*Assistant Examiner*—Barbara B Lohr

(74) *Attorney, Agent, or Firm*—Ming Chow; Sinorica, LLC

(\*\*) Term: **14 Years**

(21) Appl. No.: **29/282,801**

(57) **CLAIM**

(22) Filed: **Jul. 30, 2007**

The ornamental design for a wheel seat for the window curtain's pulling string, as shown and described.

(51) **LOC (8) Cl.** ..... **06-10**

(52) **U.S. Cl.** ..... **D6/580**

(58) **Field of Classification Search** ..... D6/575,  
D6/577, 580, 581; D8/349, 354, 357, 380,  
D8/382; 160/330; 403/167, 169; 248/300,  
248/309.1, 674; 52/506.5, 586.1

See application file for complete search history.

**DESCRIPTION**

FIG. 1 is a perspective view of a wheel seat for the window curtain's pulling string showing my new design;

FIG. 2 is a front side view thereof;

FIG. 3 is a rear side view thereof;

FIG. 4 is a left side view thereof;

FIG. 5 is a right side view thereof;

FIG. 6 is a top view thereof; and,

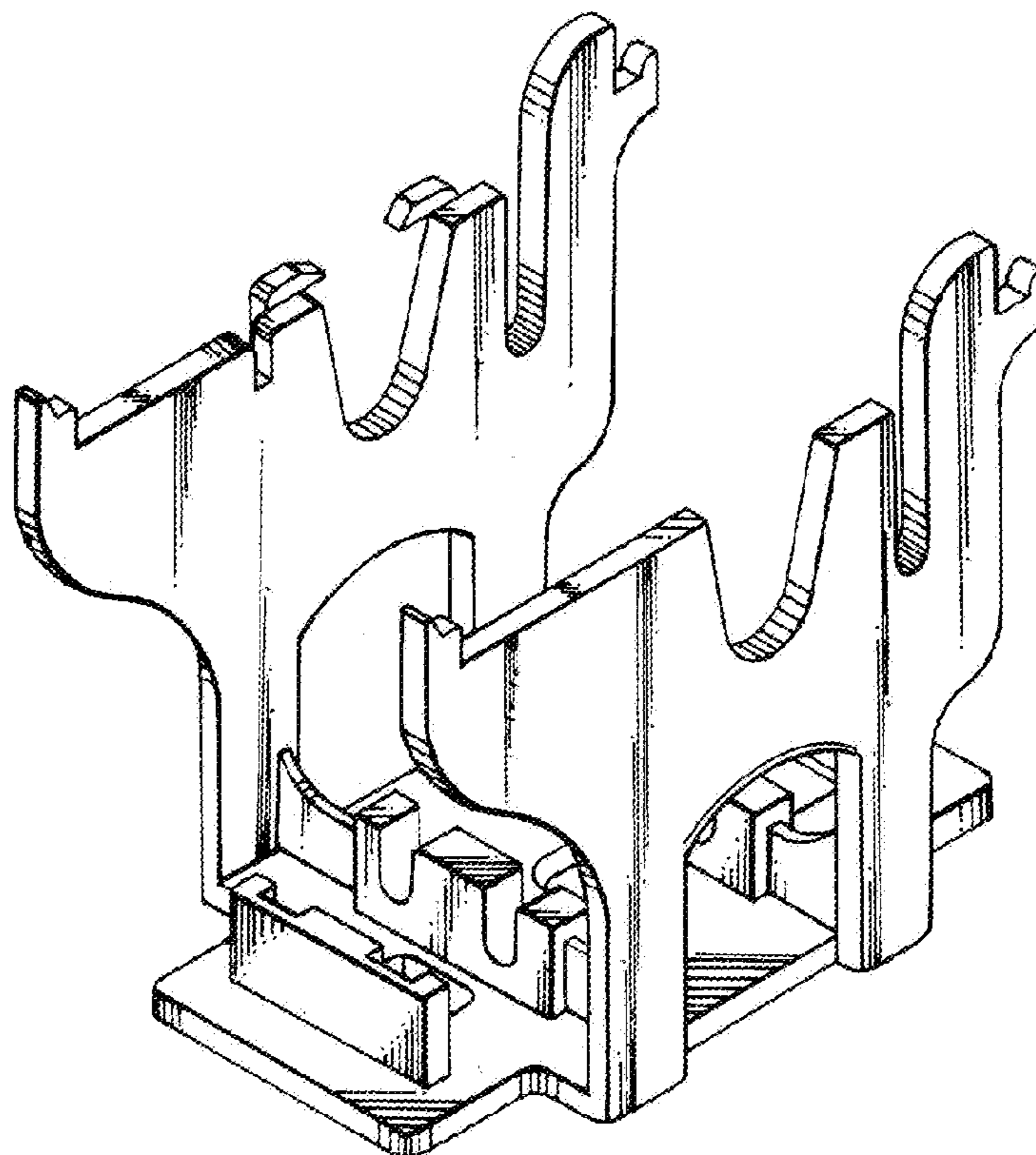
FIG. 7 is a bottom view thereof.

(56) **References Cited**

U.S. PATENT DOCUMENTS

D357,381 S \* 4/1995 Anderson ..... D6/580  
5,671,794 A \* 9/1997 Nien ..... 160/330  
D438,045 S \* 2/2001 Liu ..... D6/580  
6,536,091 B1 \* 3/2003 Brown et al. .... 29/468  
D486,987 S \* 2/2004 Tyner ..... D6/580

**1 Claim, 4 Drawing Sheets**



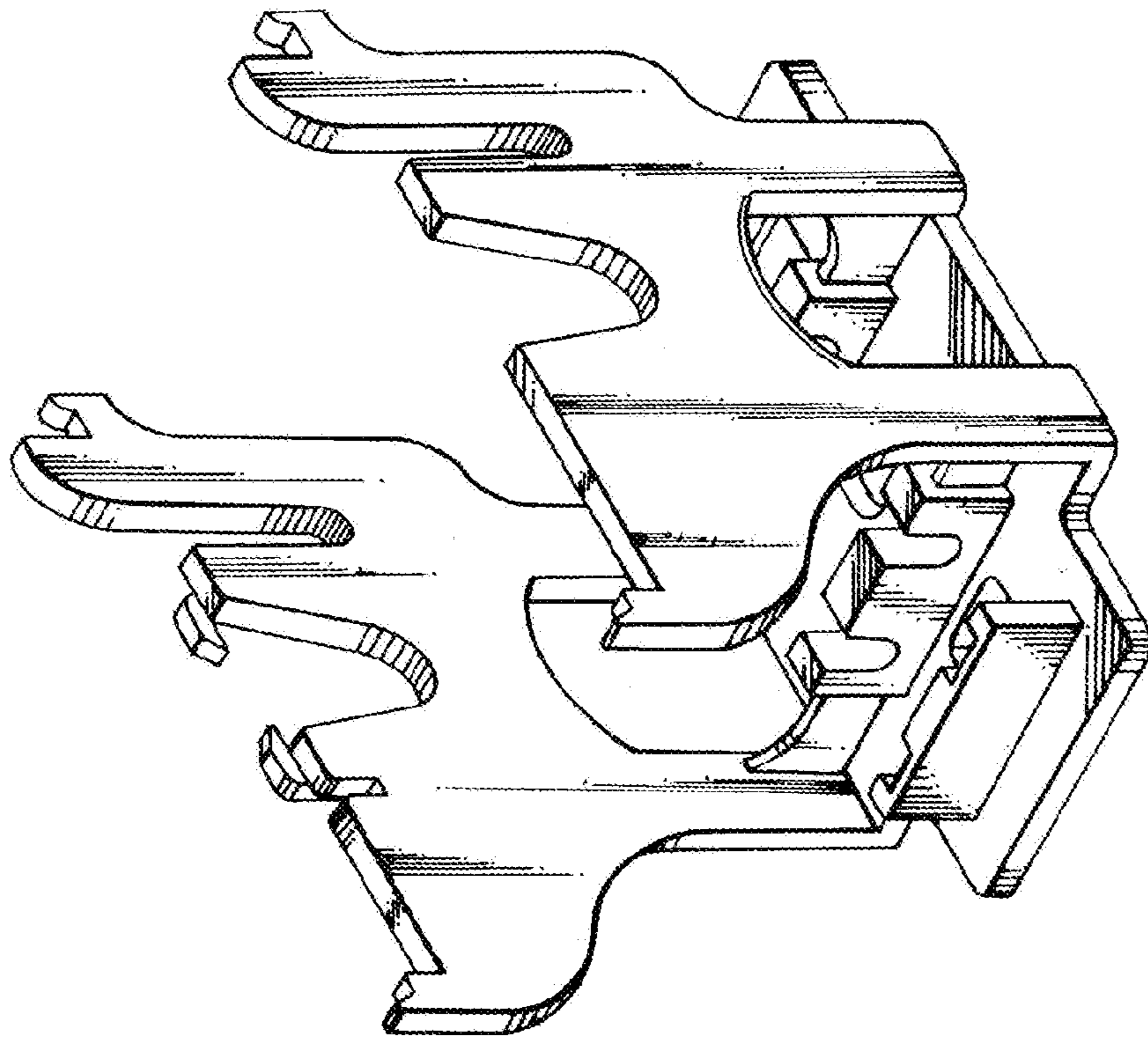


FIG. 1

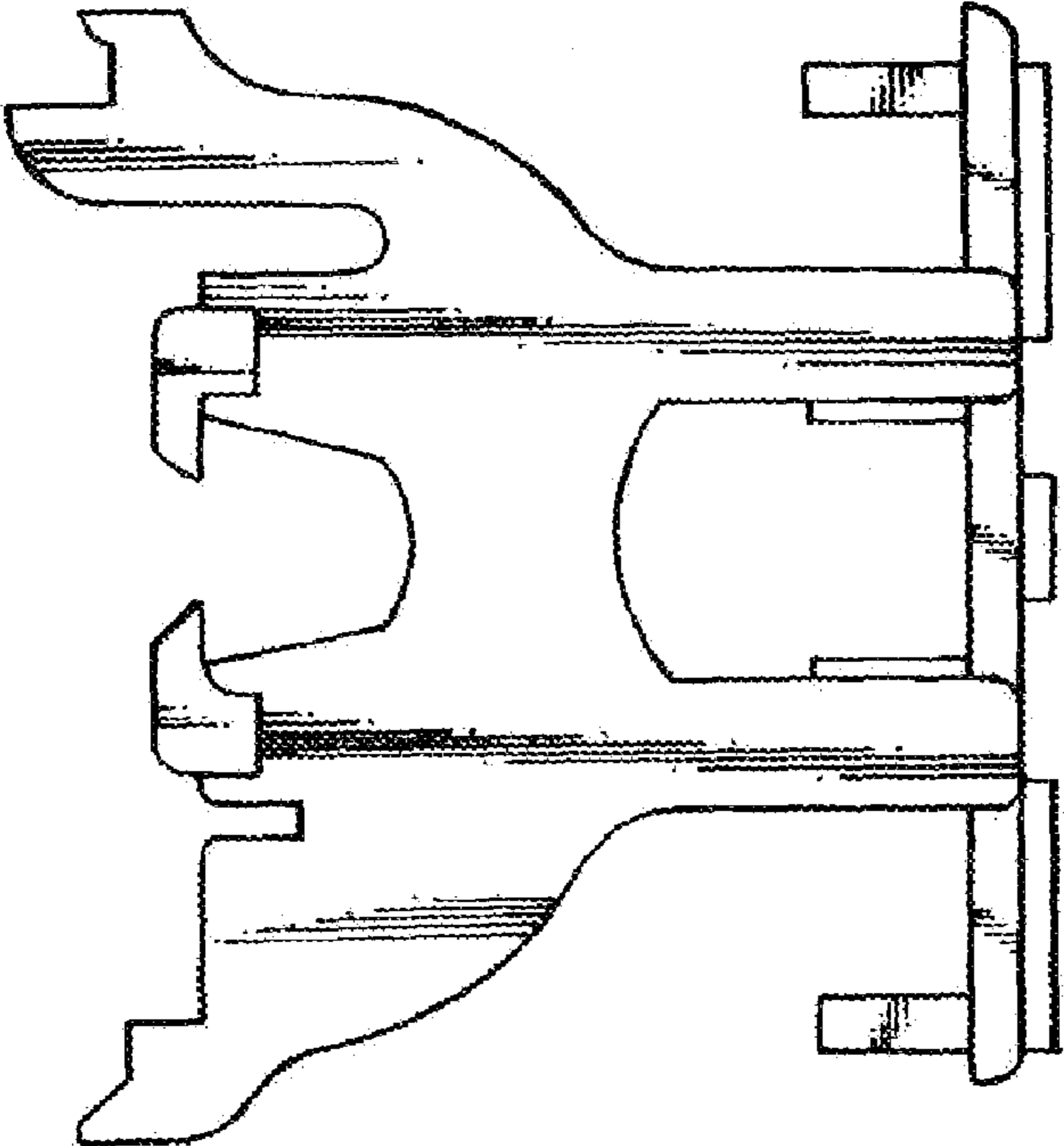


FIG. 3

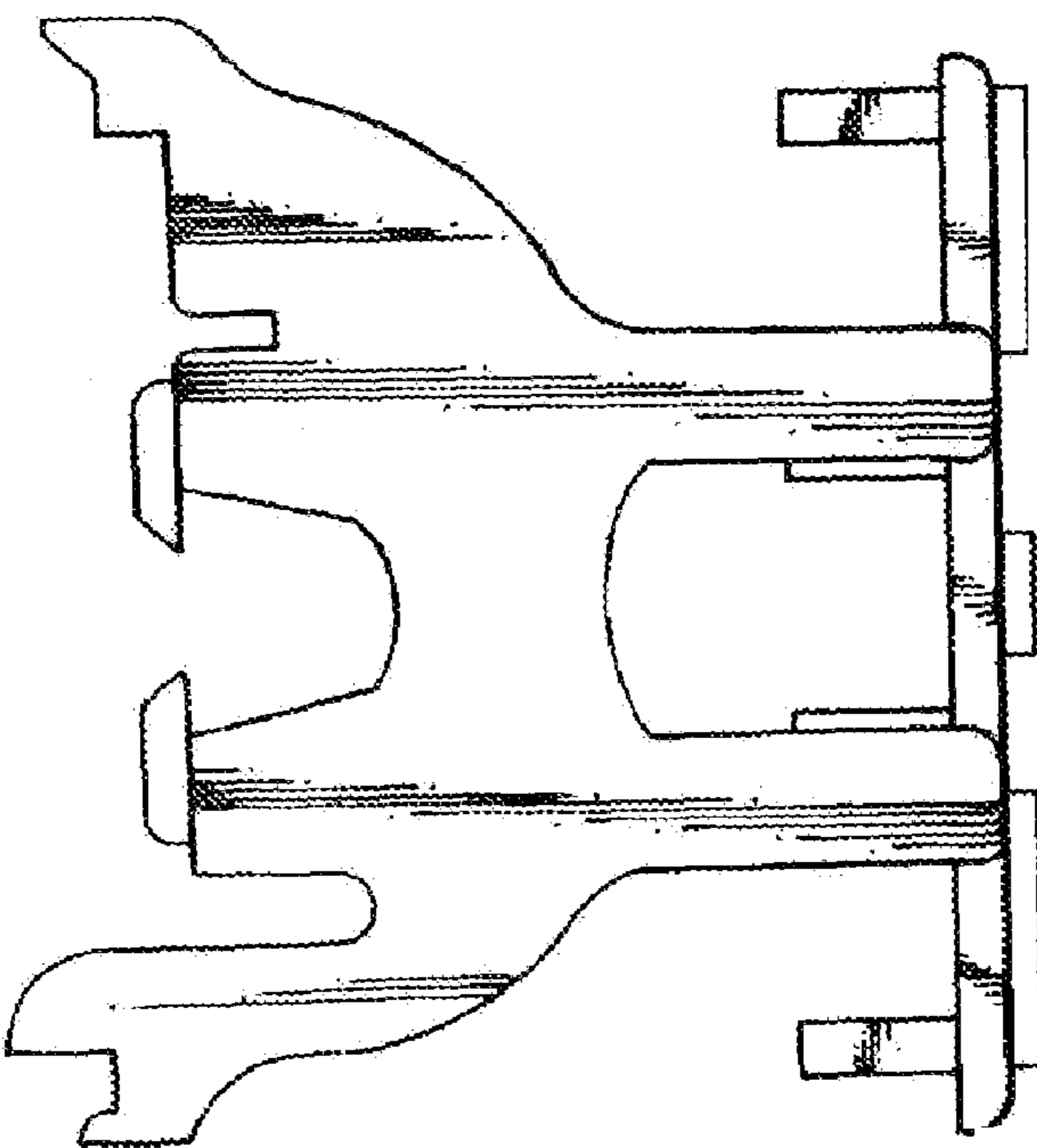


FIG. 2

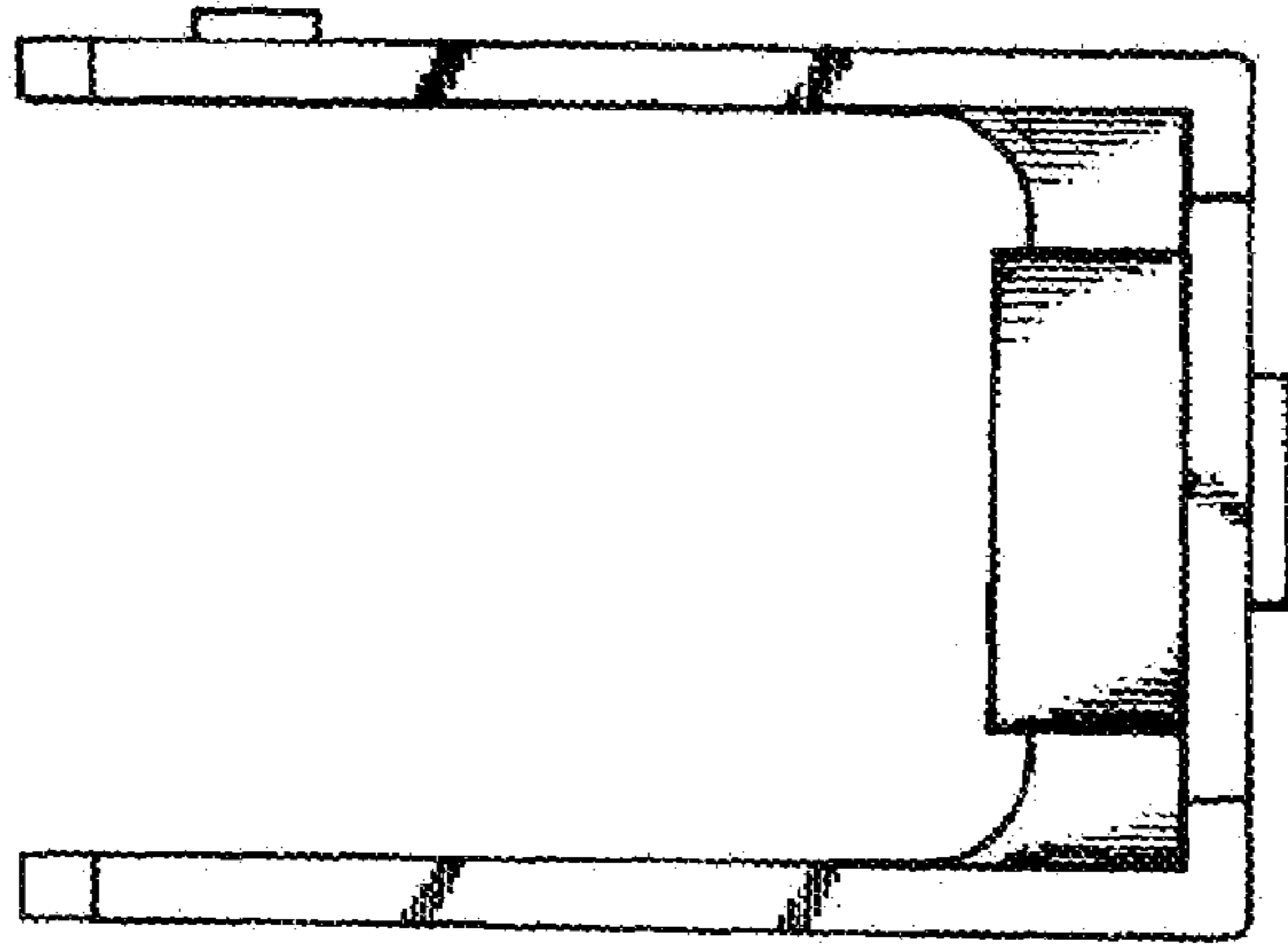


FIG. 5

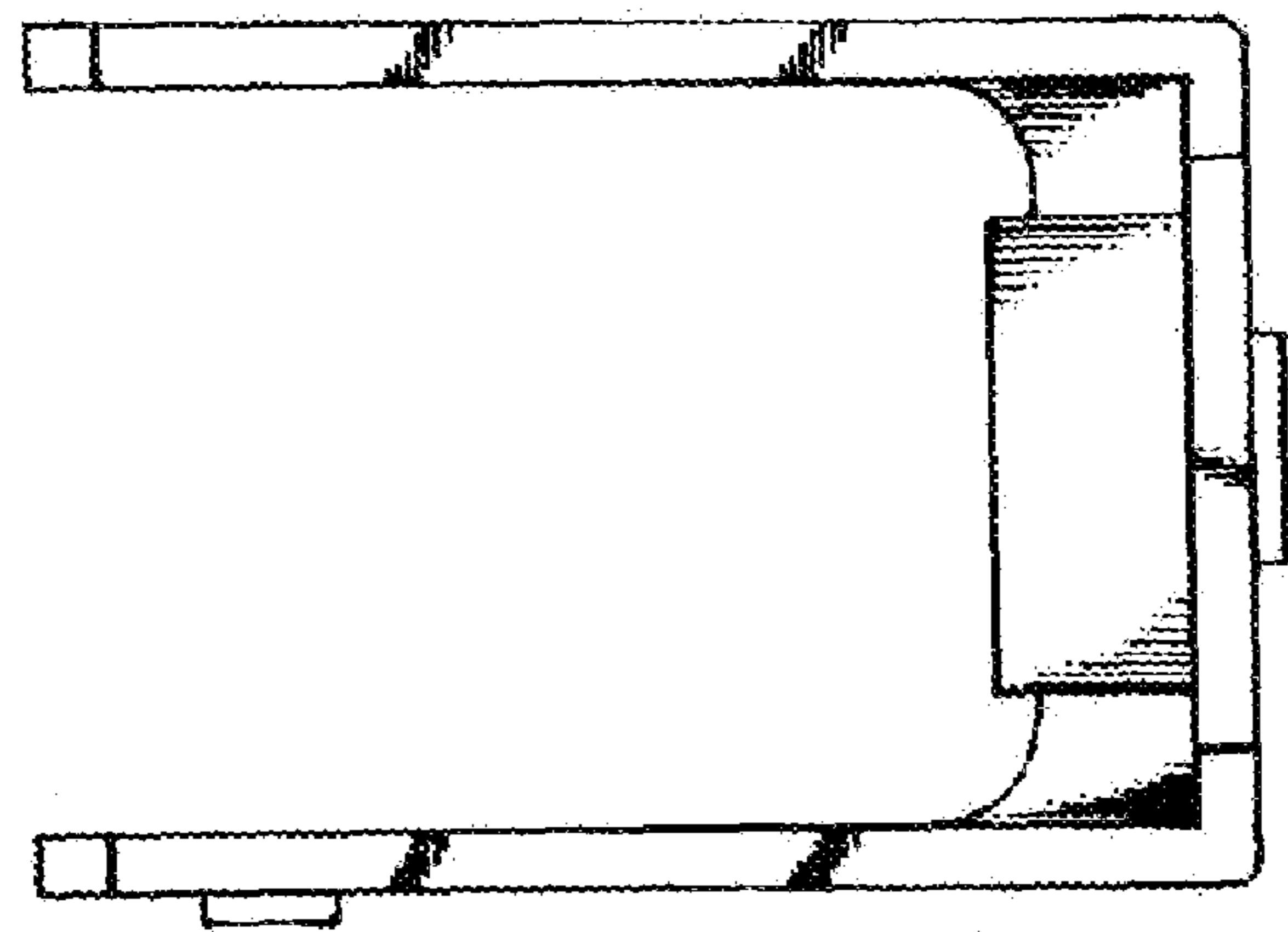


FIG. 4

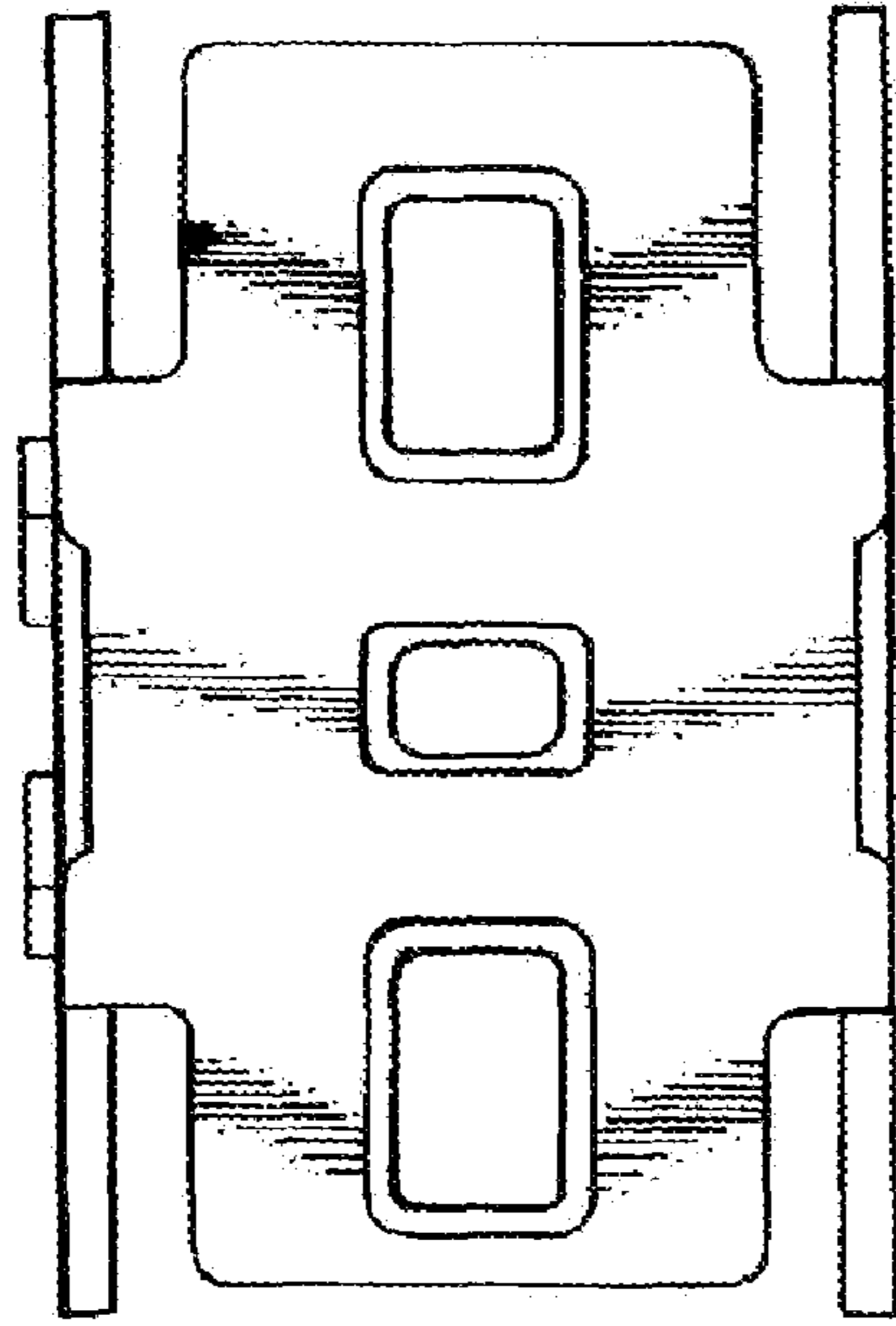


FIG. 6

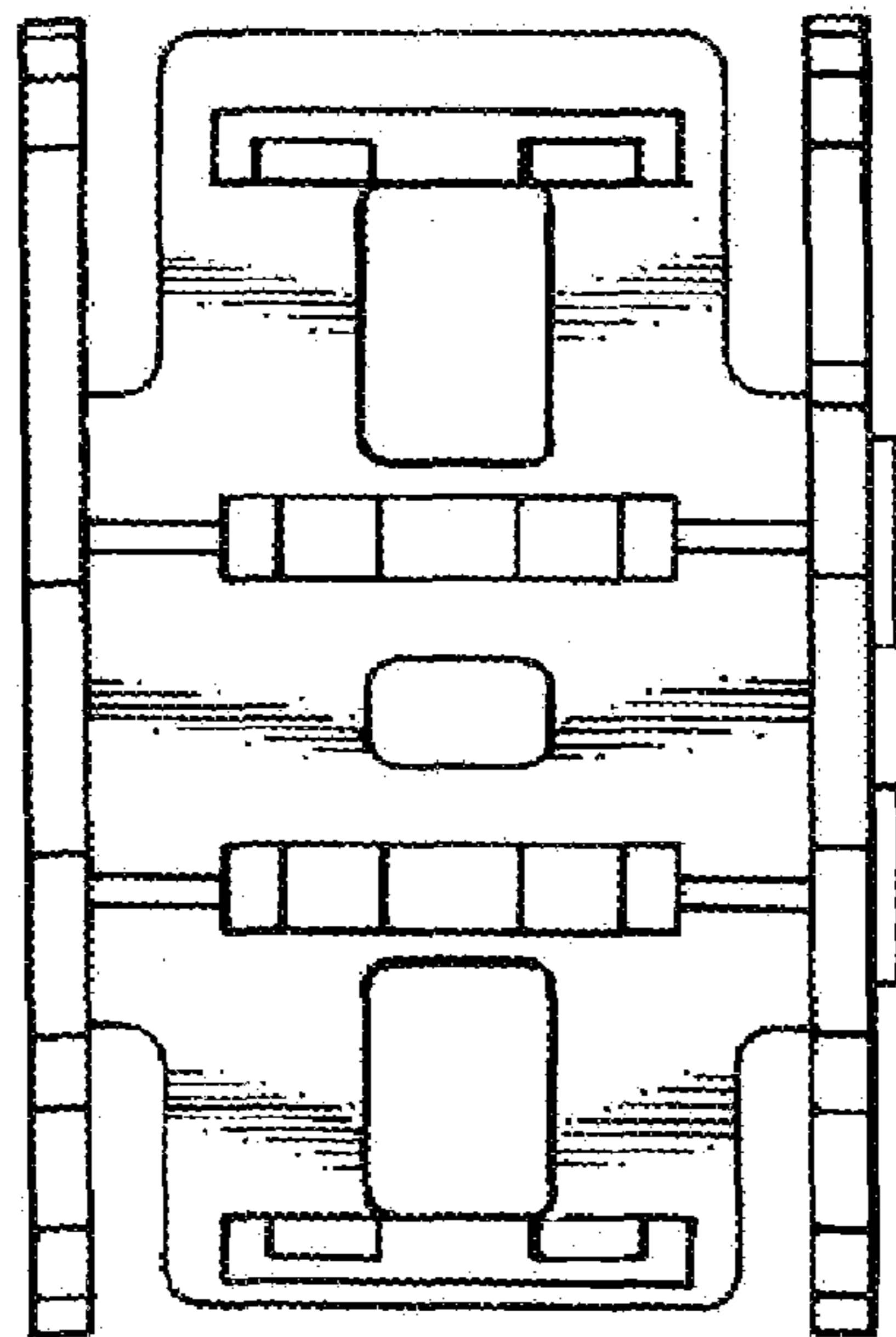


FIG. 7