

US00D569157S

(12) **United States Design Patent**
Liu

(10) **Patent No.:** **US D569,157 S**

(45) **Date of Patent:** **** May 20, 2008**

(54) **SLAT ANGLE ADJUSTING DEVICE FOR A VENETIAN BLIND**

(76) Inventor: **Tai-Ping Liu**, No. 18, Alley 8, Lane 3,
Kuo-Chi St., Lung-Ching Hsiang,
Taichung Hsien (TW)

(**) Term: **14 Years**

(21) Appl. No.: **29/281,595**

(22) Filed: **Jun. 27, 2007**

(51) **LOC (8) Cl.** **06-10**

(52) **U.S. Cl.** **D6/580**

(58) **Field of Classification Search** D6/580,
D6/581, 582, 583, 584, 585, 586, 587; 160/84.02,
160/84.3-84.08, 126, 177 R, 321, 323.1,
160/307; D3/260; D20/44
See application file for complete search history.

(56) **References Cited**

U.S. PATENT DOCUMENTS

4,697,629	A *	10/1987	Anderson	160/177 R
4,821,789	A *	4/1989	Van Rens	160/176.1 R
5,267,598	A *	12/1993	Marocco	160/177 R
D346,929	S *	5/1994	Fraser et al.	D6/580
5,341,865	A *	8/1994	Fraser et al.	160/176.1 R
D357,381	S *	4/1995	Anderson	D6/580
5,638,882	A *	6/1997	Morris	160/176.1 R
6,095,228	A *	8/2000	Liu	160/173 R
D440,445	S *	4/2001	Fraser	D6/580
D446,415	S *	8/2001	Anderson	D6/580
D453,440	S *	2/2002	Fraser et al.	D6/580

D479,080	S *	9/2003	Damiano	D6/580
D498,635	S *	11/2004	Allsopp	D6/580
D507,141	S *	7/2005	Allsopp	D6/580
D509,092	S *	9/2005	Allsopp	D6/580
D512,256	S *	12/2005	Allsopp	D6/580
6,976,522	B2 *	12/2005	Strand	160/176.1 R
D518,326	S *	4/2006	Allsopp	D6/580
D530,558	S *	10/2006	Damiano	D6/580
D541,566	S *	5/2007	Allsopp	D6/580
7,311,133	B2 *	12/2007	Anderson et al.	160/170

* cited by examiner

Primary Examiner—T. Chase Nelson

Assistant Examiner—Barbara B Lohr

(74) *Attorney, Agent, or Firm*—Rabin & Berdo, P.C.

(57) **CLAIM**

The ornamental design for a slat angle adjusting device for a venetian blind, as shown and described.

DESCRIPTION

FIG. 1 is a perspective view of a slat angle adjusting device for a venetian blind, showing my new design;

FIG. 2 is a front view thereof;

FIG. 3 is a rear view thereof;

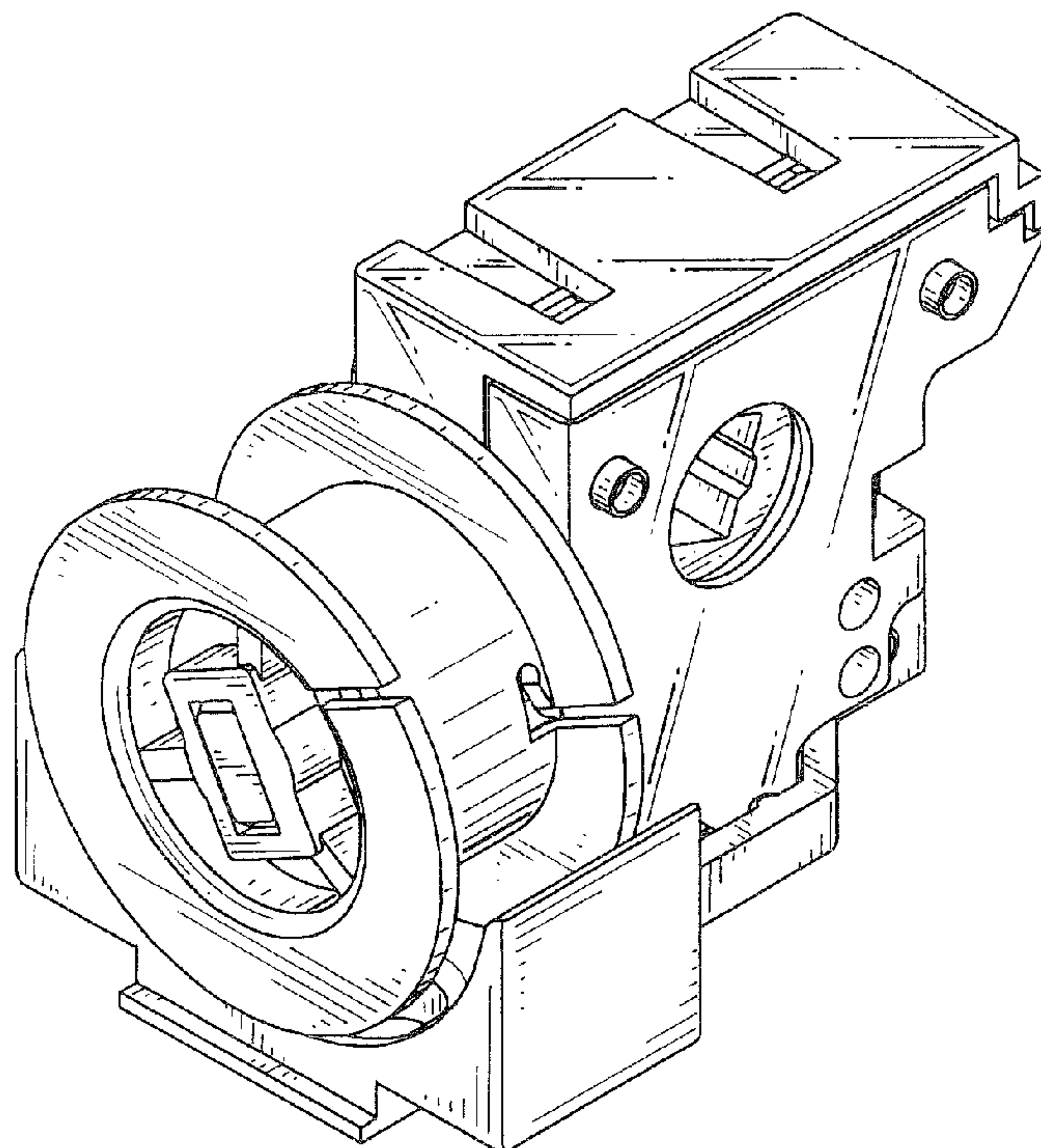
FIG. 4 is a left side view thereof;

FIG. 5 is a right side view thereof;

FIG. 6 is a top view thereof; and,

FIG. 7 is a bottom view thereof.

1 Claim, 4 Drawing Sheets



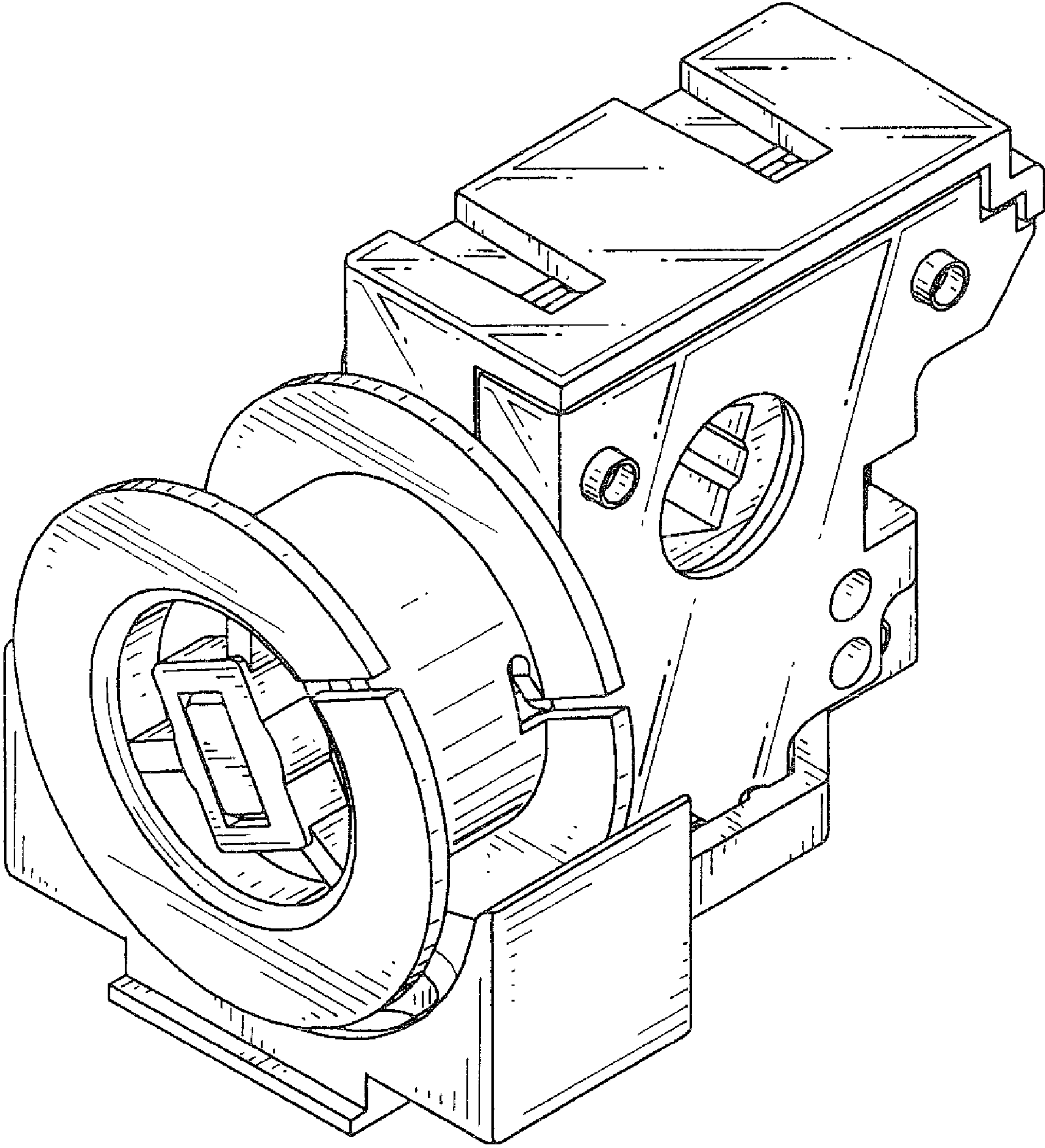


FIG. 1

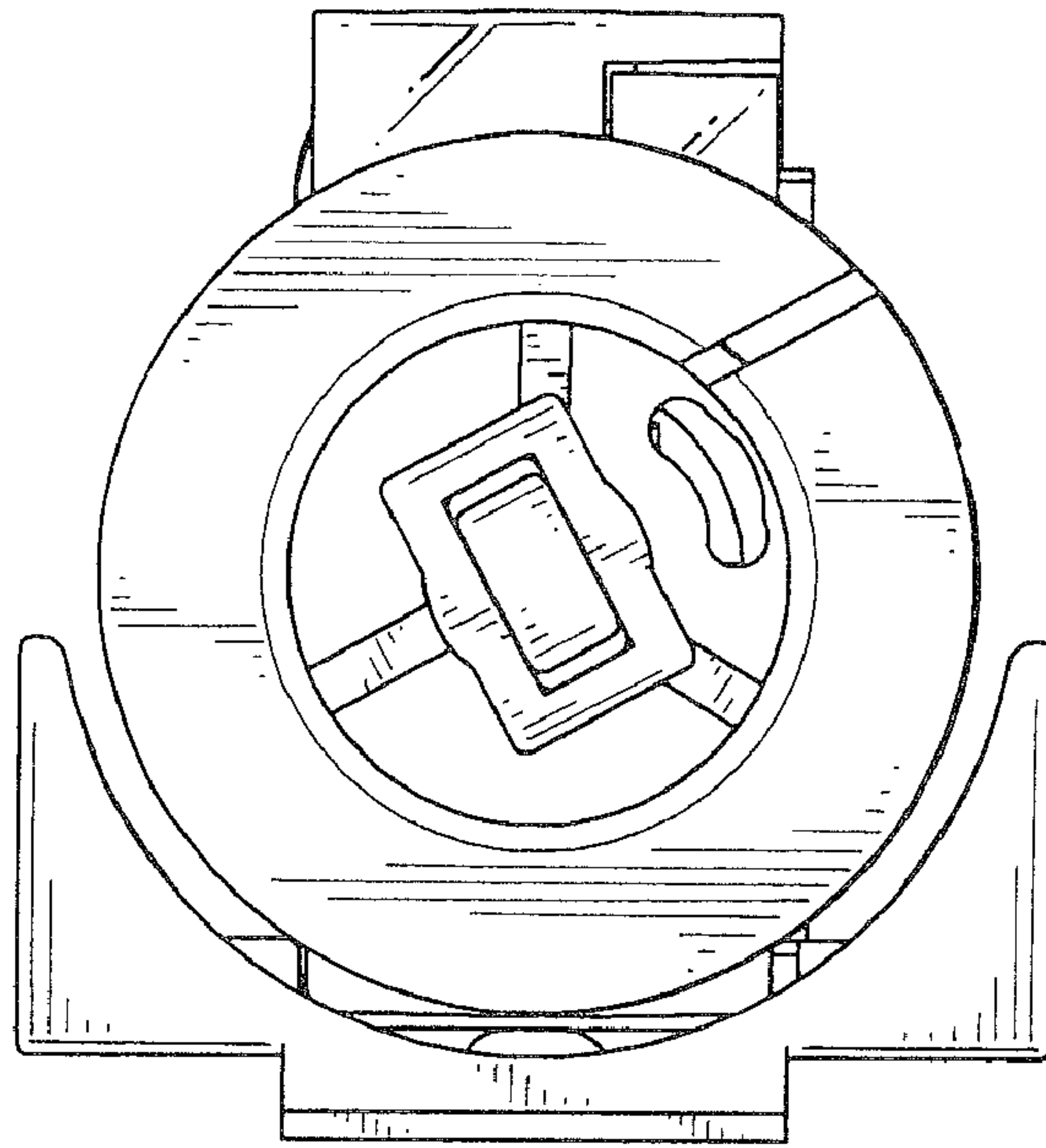


FIG. 2

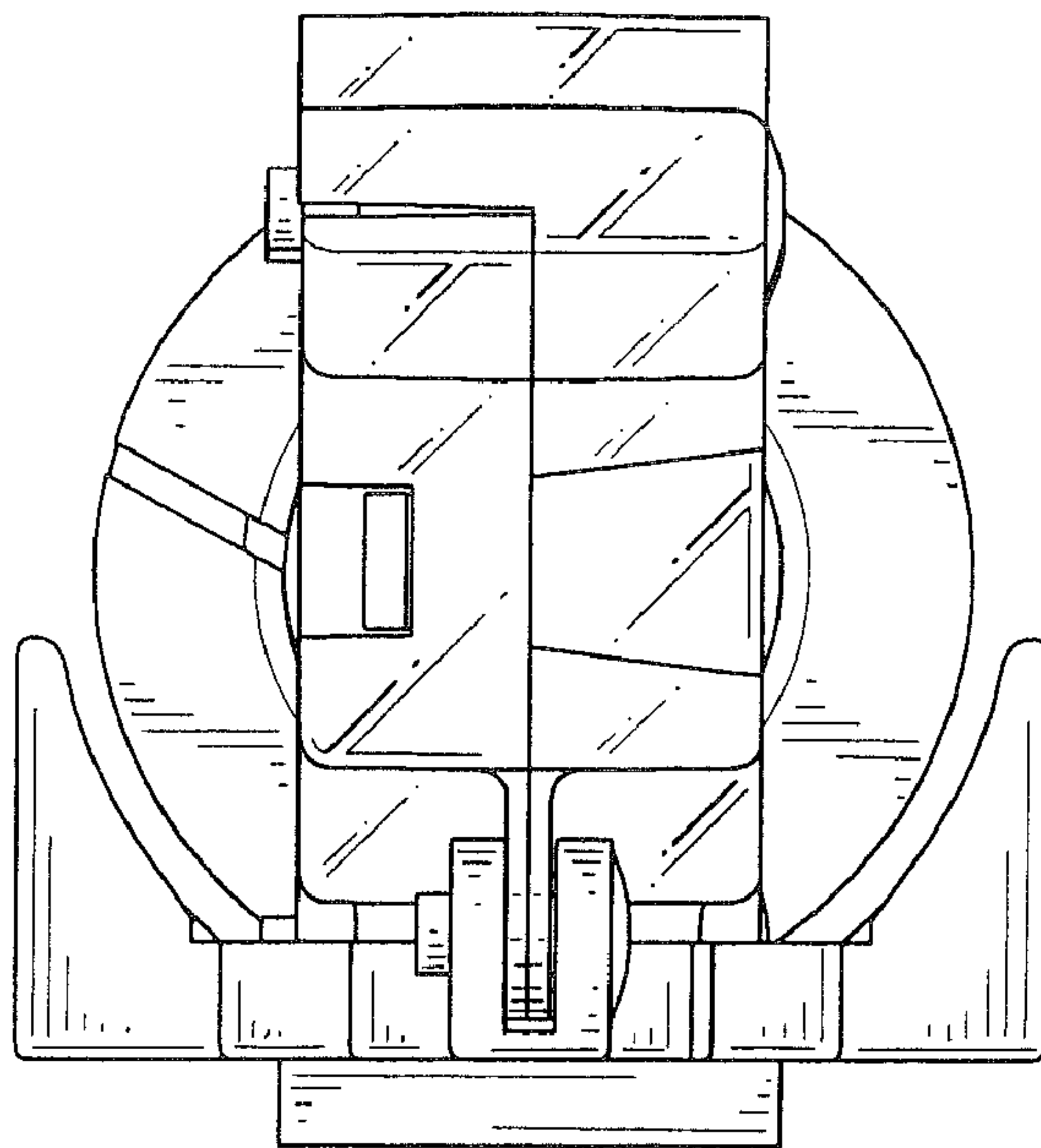


FIG. 3

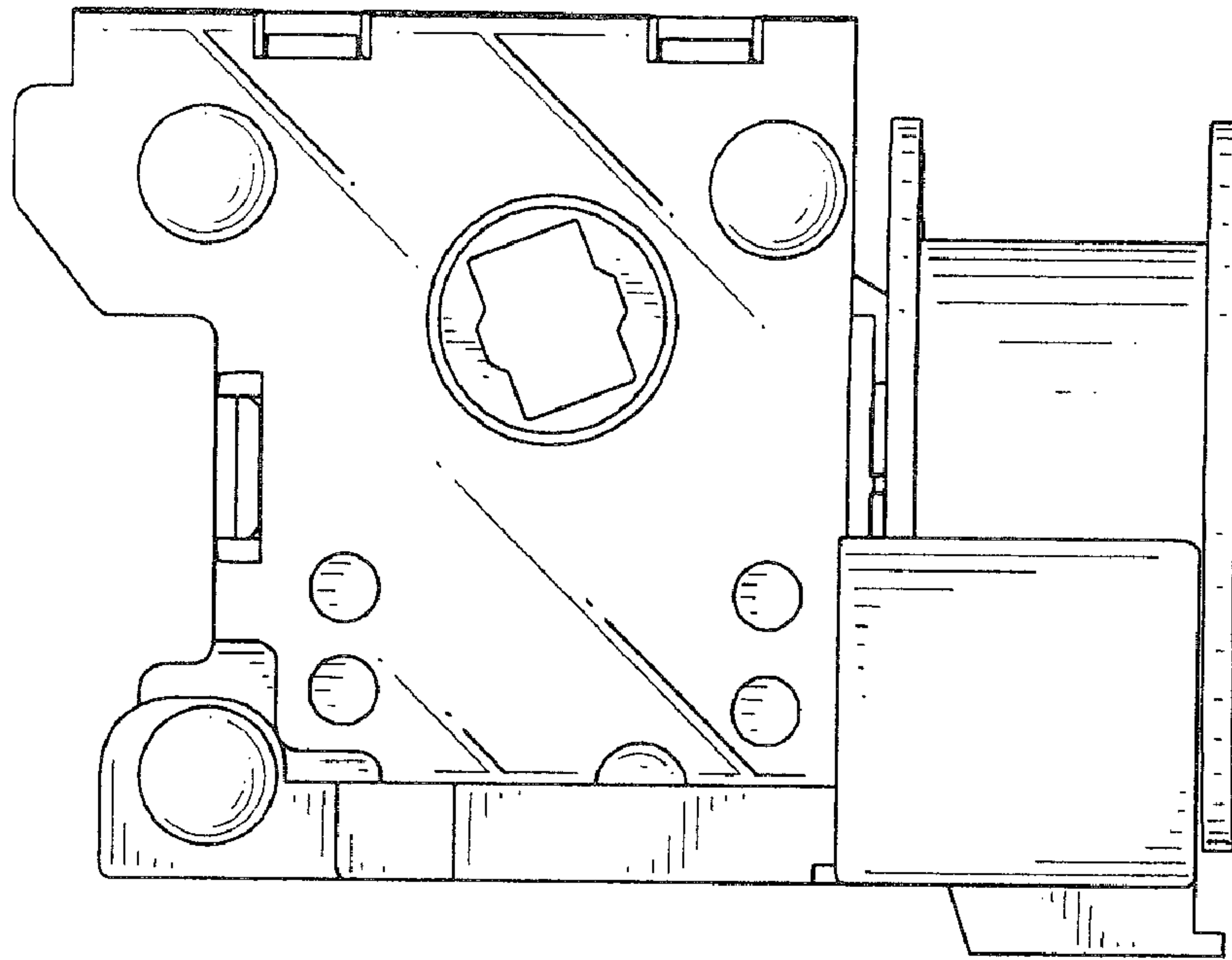


FIG. 4

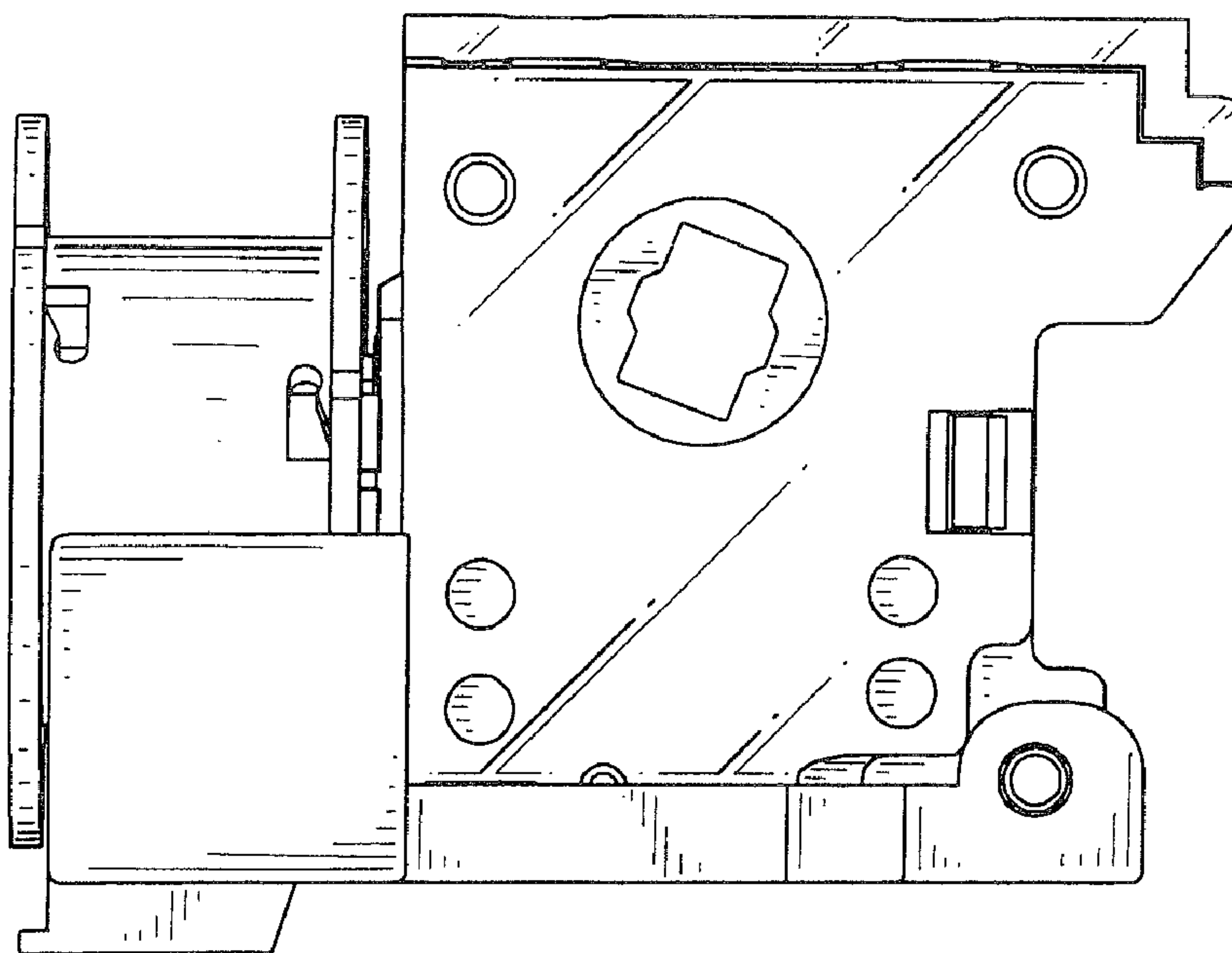


FIG. 5

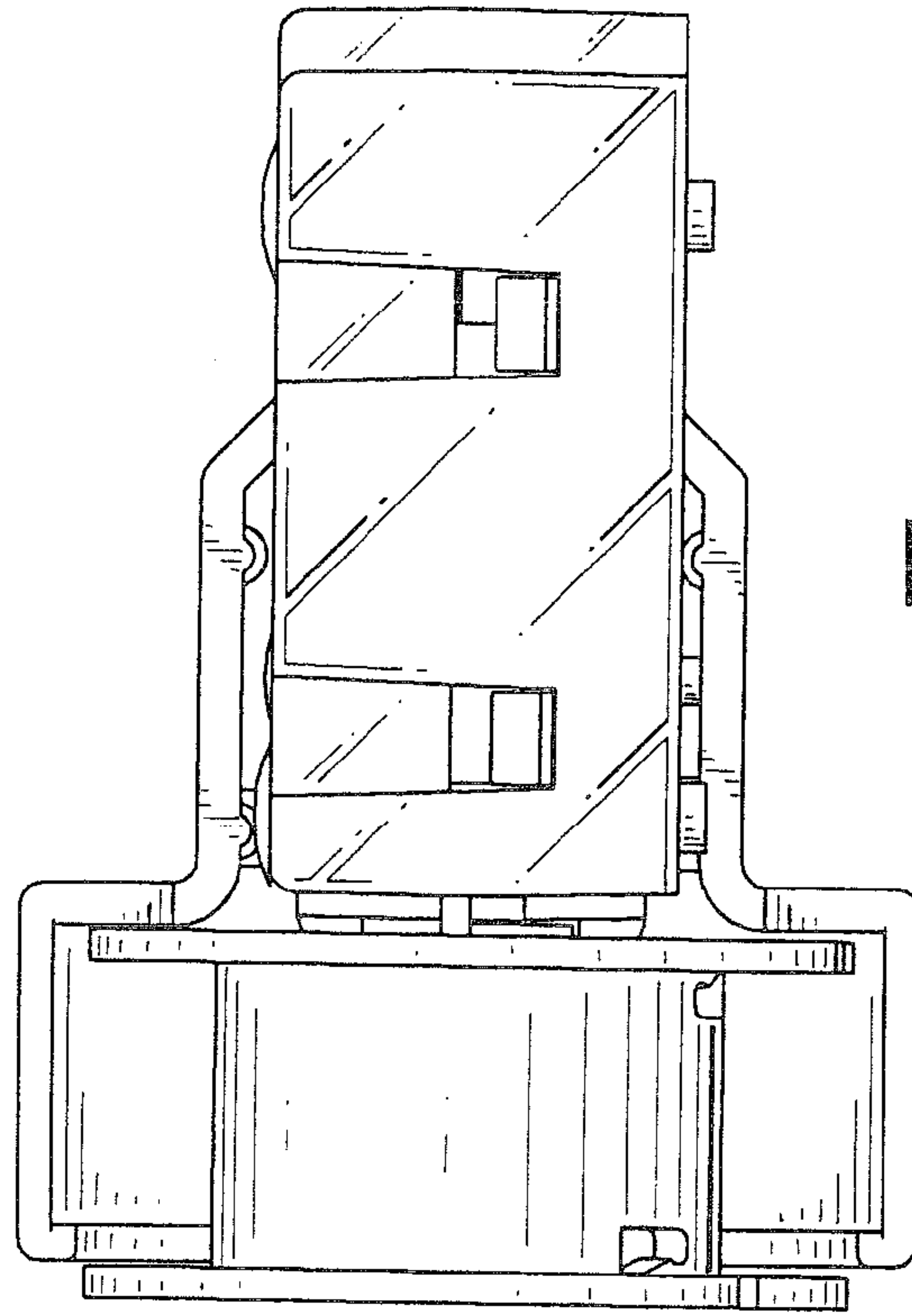


FIG. 6

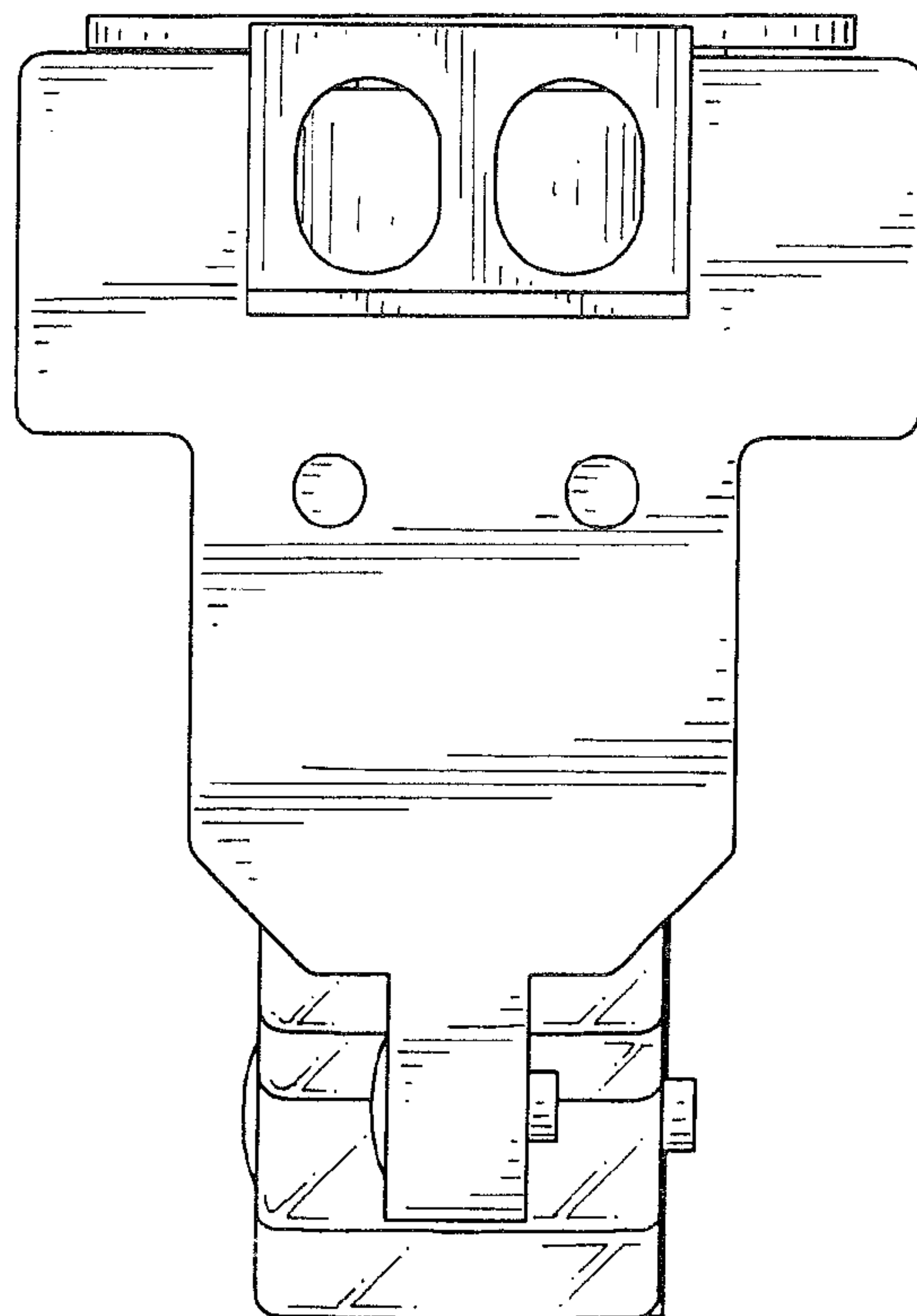


FIG. 7