



US00D569153S

(12) **United States Design Patent**
Bickler et al.

(10) **Patent No.:** **US D569,153 S**

(45) **Date of Patent:** **** May 20, 2008**

(54) **TOWEL BAR**

(75) Inventors: **Marc Bickler**, Charlotte, NC (US);
Victor Hoernig, Lowell, IN (US);
Geraint Krumpe, Chicago, IL (US)

(73) Assignee: **BrassTech, Inc.**, Santa Ana, CA (US)

(**) Term: **14 Years**

(21) Appl. No.: **29/279,515**

(22) Filed: **May 2, 2007**

(51) **LOC (8) Cl.** **06-04**

(52) **U.S. Cl.** **D6/548**

(58) **Field of Classification Search** D6/546-550,
D6/518-519, 522-524; D8/303, 315-321,
D8/354, 363, 373, 380; 108/28-29; 211/13.1,
211/16, 60.1, 56.01, 87.01, 88.01, 88.04,
211/100, 105.1-105.2, 123, 126.1, 133.6,
211/134, 181.1, 182; 248/175, 176.1, 200,
248/251, 302, 309.1; 16/110.1, 412, 415;
206/389, 557; 242/570, 590, 595-598
See application file for complete search history.

(56) **References Cited**

U.S. PATENT DOCUMENTS

D453,649 S * 2/2002 Hoernig D6/548

D455,035 S * 4/2002 Meck et al. D6/548
D477,737 S * 7/2003 Hoernig D6/548
D493,317 S * 7/2004 Hoernig D6/548

* cited by examiner

Primary Examiner—Brian N Vinson

(74) *Attorney, Agent, or Firm*—Edgar A. Zarins; Lloyd D. Doigan

(57) **CLAIM**

The ornamental design for a towel bar, as shown and described.

DESCRIPTION

FIG. 1 is a front perspective view of a towel bar showing our design;

FIG. 2 is a right side elevational view thereof;

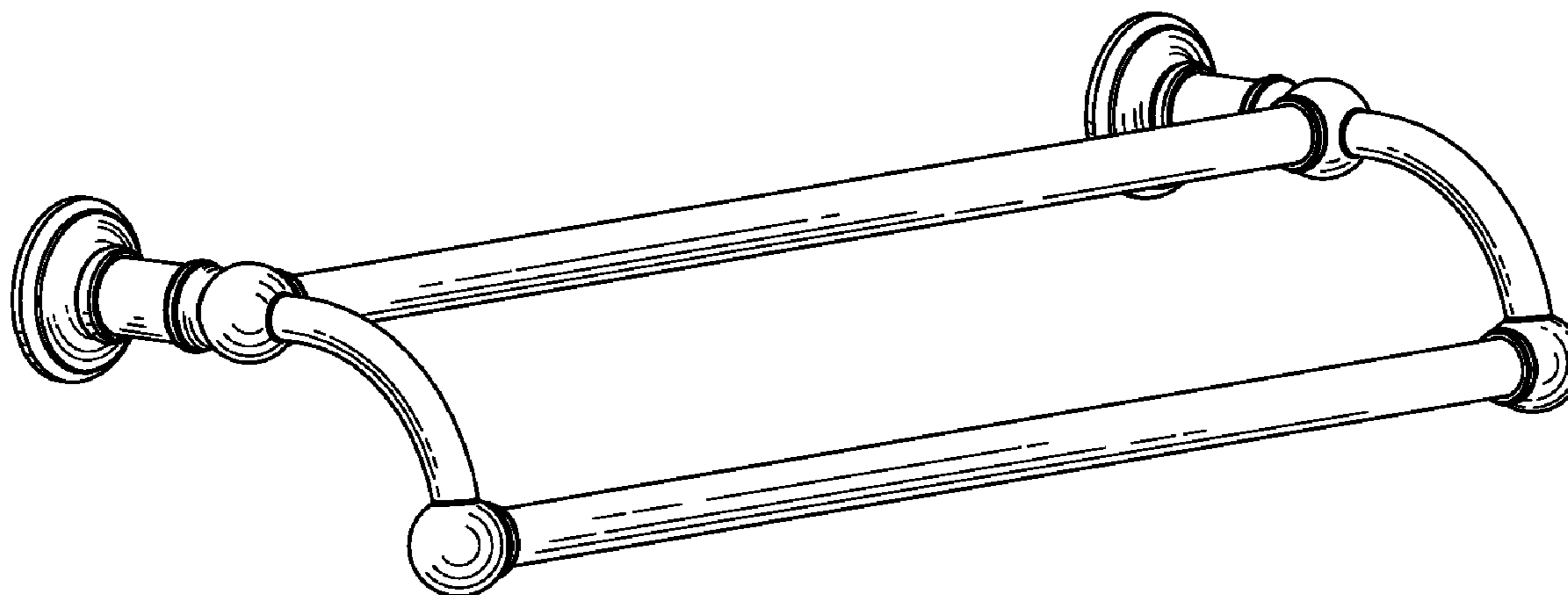
FIG. 3 is a front elevational view thereof;

FIG. 4 is a bottom plan view thereof;

FIG. 5 is a top plan view thereof; and,

FIG. 6 is a left side elevational view thereof.

1 Claim, 6 Drawing Sheets



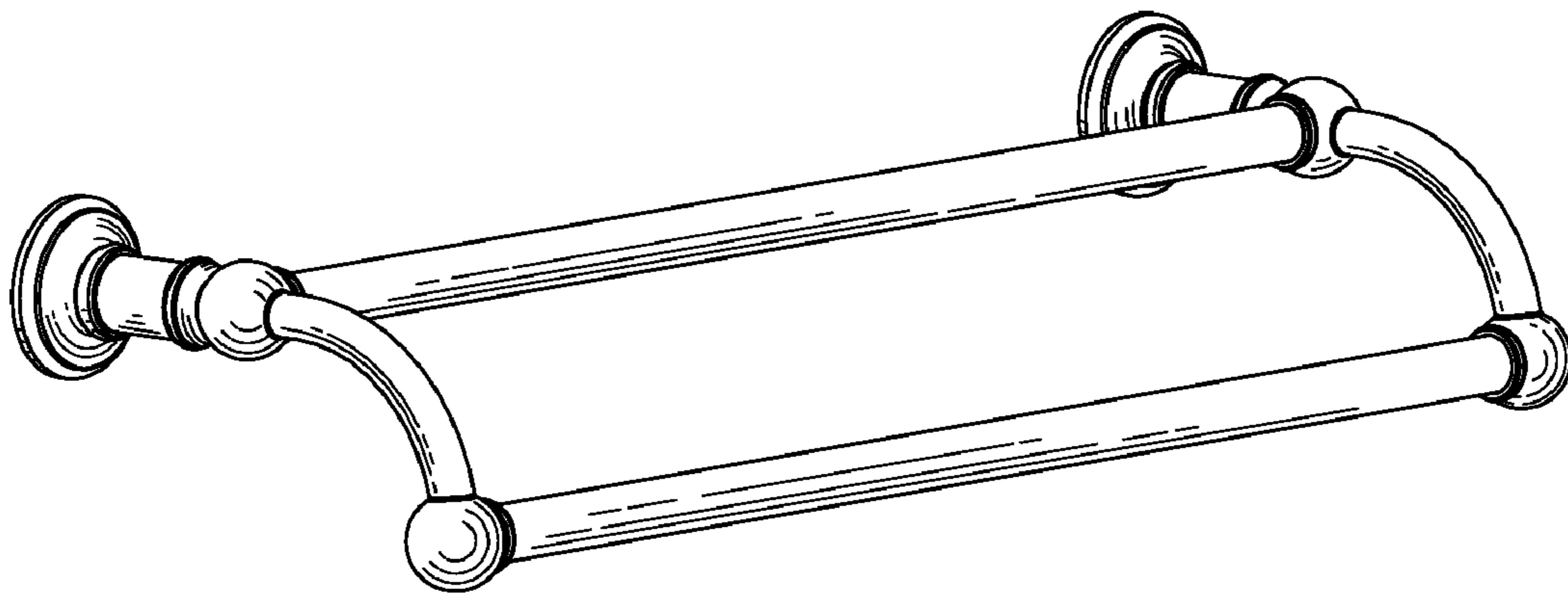


FIG. 1

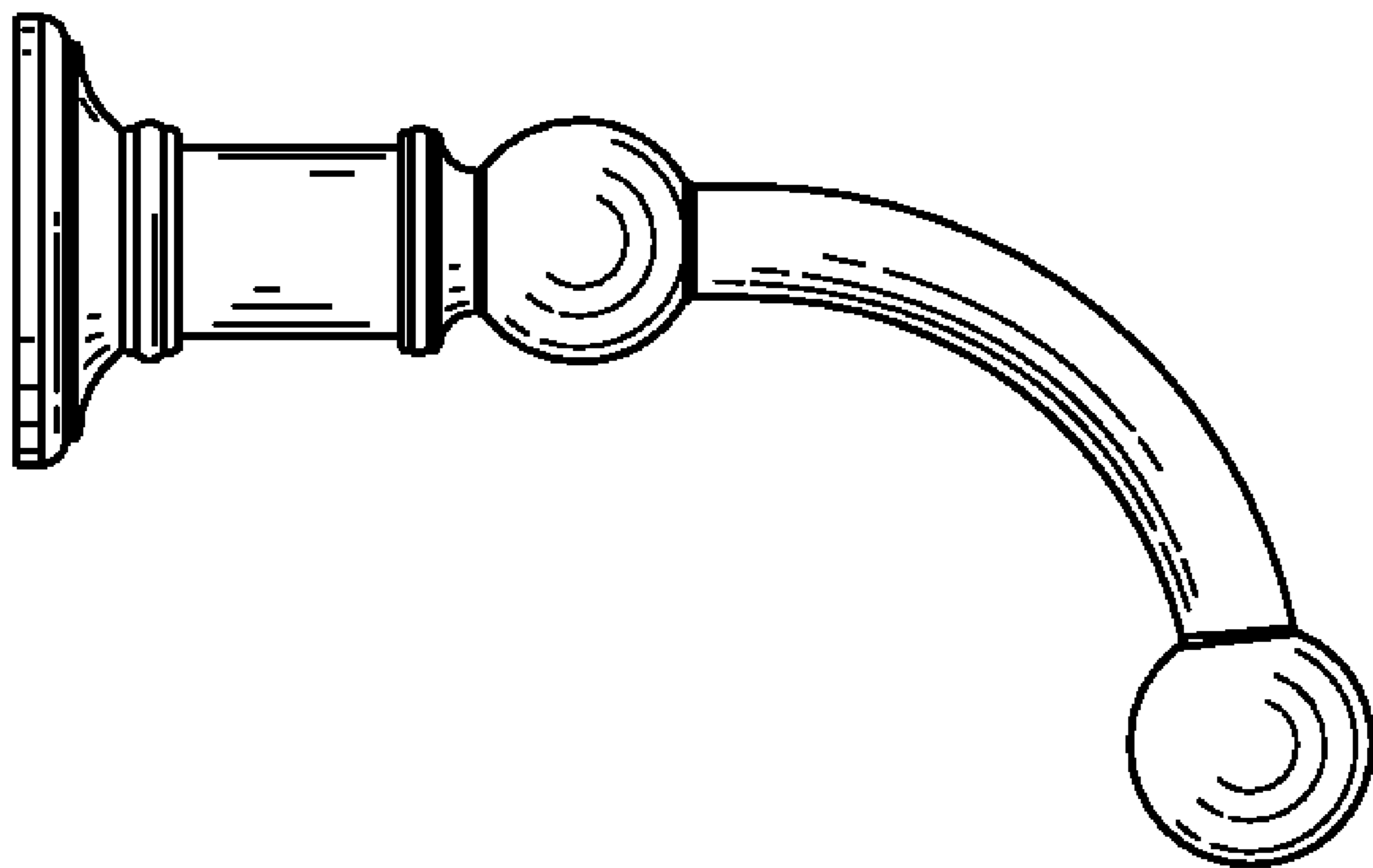


FIG. 2

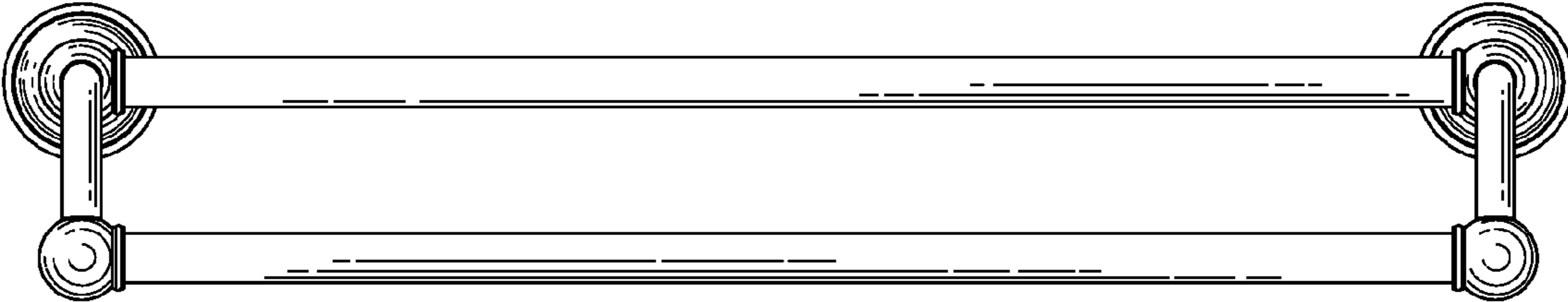


FIG. 3

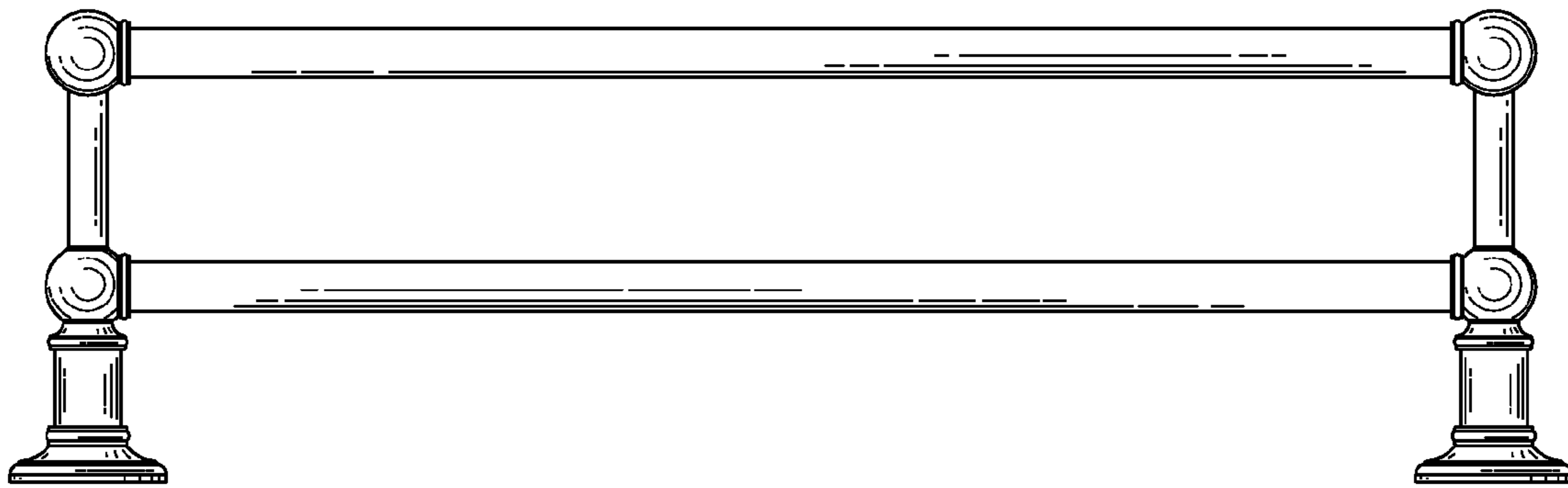


FIG. 4

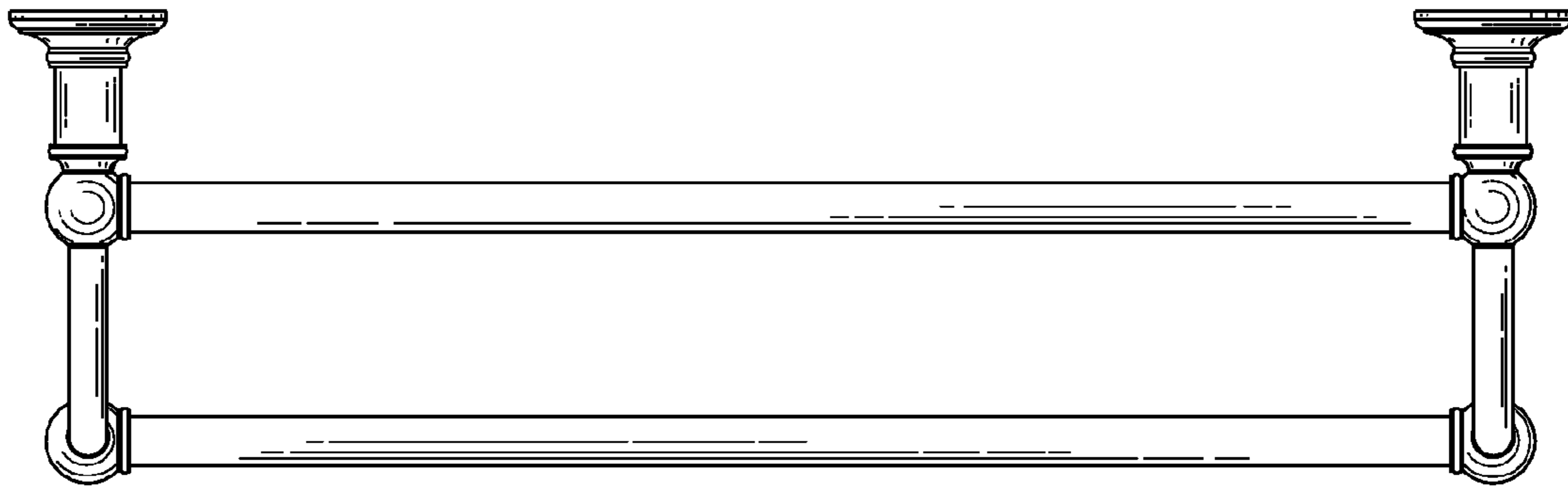


FIG. 5

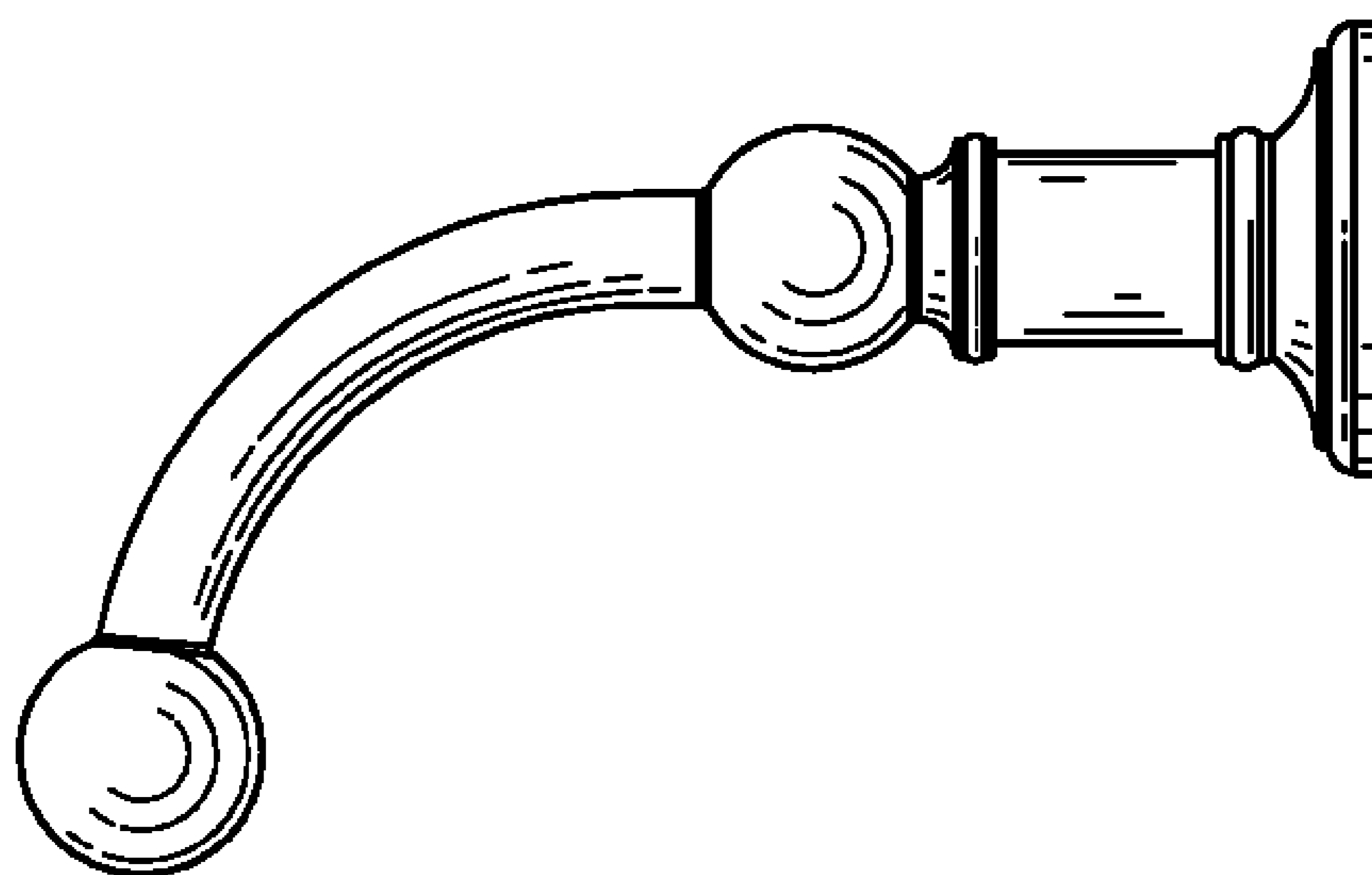


FIG. 6