

US00D569152S

(12) **United States Design Patent**
Hefner et al.

(10) **Patent No.:** **US D569,152 S**

(45) **Date of Patent:** **** May 20, 2008**

(54) **TOWEL RACK**

(75) Inventors: **Ritchie O. Hefner**, Cushing, IA (US);
Marc A. Jensen, Ida Grove, IA (US);
Jon W. Devitt, Ida Grove, IA (US);
Bruce L. Godbersen, Ida Grove, IA (US)

(73) Assignee: **Byron Originals, Inc.**, Ida Grove, IA (US)

(**) Term: **14 Years**

(21) Appl. No.: **29/277,297**

(22) Filed: **Feb. 21, 2007**

(51) **LOC (8) Cl.** **06-04**

(52) **U.S. Cl.** **D6/548; D6/550**

(58) **Field of Classification Search** D6/524,
D6/525, 329, 462, 468, 527, 569-570, 546-550;
108/42, 59, 106, 180, 144.11, 147.11, 147.12,
108/147.15; 211/13.1, 85.12, 49.1, 71.01,
211/86.01, 87.01, 90.01, 90.03, 90.04, 126.14,
211/126.1, 112, 110, 106, 105.1, 88.01, 134,
211/153, 175, 207, 181.1, 182; 248/130,
248/142, 907

See application file for complete search history.

(56) **References Cited**

U.S. PATENT DOCUMENTS

D282,705 S * 2/1986 Chap D6/548

D422,171 S * 4/2000 Mahlmann D6/548
D437,163 S * 2/2001 Fiegl et al. D6/548
D450,510 S * 11/2001 Gottwald D6/548
D455,591 S * 4/2002 Zetsche D6/548
D462,219 S * 9/2002 Lowe D6/548

* cited by examiner

Primary Examiner—Brian N Vinson

(74) *Attorney, Agent, or Firm*—Sturm & Fix LLP

(57) **CLAIM**

The ornamental design for a towel rack, as shown and described.

DESCRIPTION

FIG. 1 is a front perspective view of the towel rack, showing my new design;

FIG. 2 is one side plan view of the towel rack, the opposite side being a mirror image of the side shown;

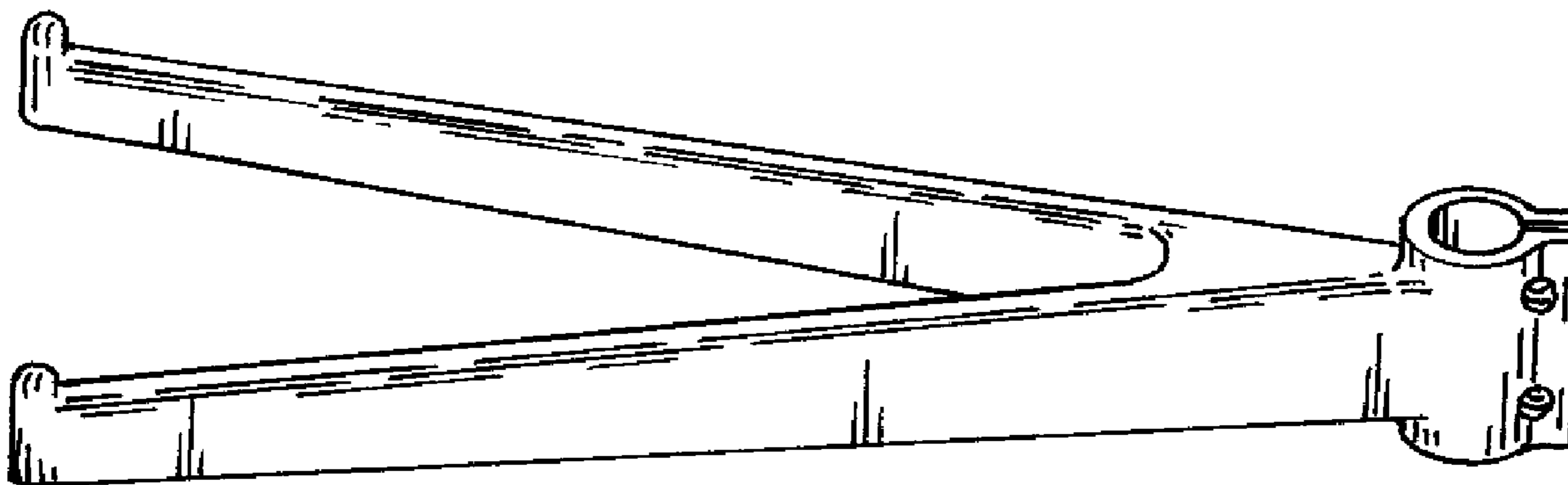
FIG. 3 is a front plan view of the towel rack;

FIG. 4 is a rear plan view of the towel rack;

FIG. 5 is a top plan view of the towel rack; and,

FIG. 6 is a bottom plan view of the towel rack.

1 Claim, 2 Drawing Sheets



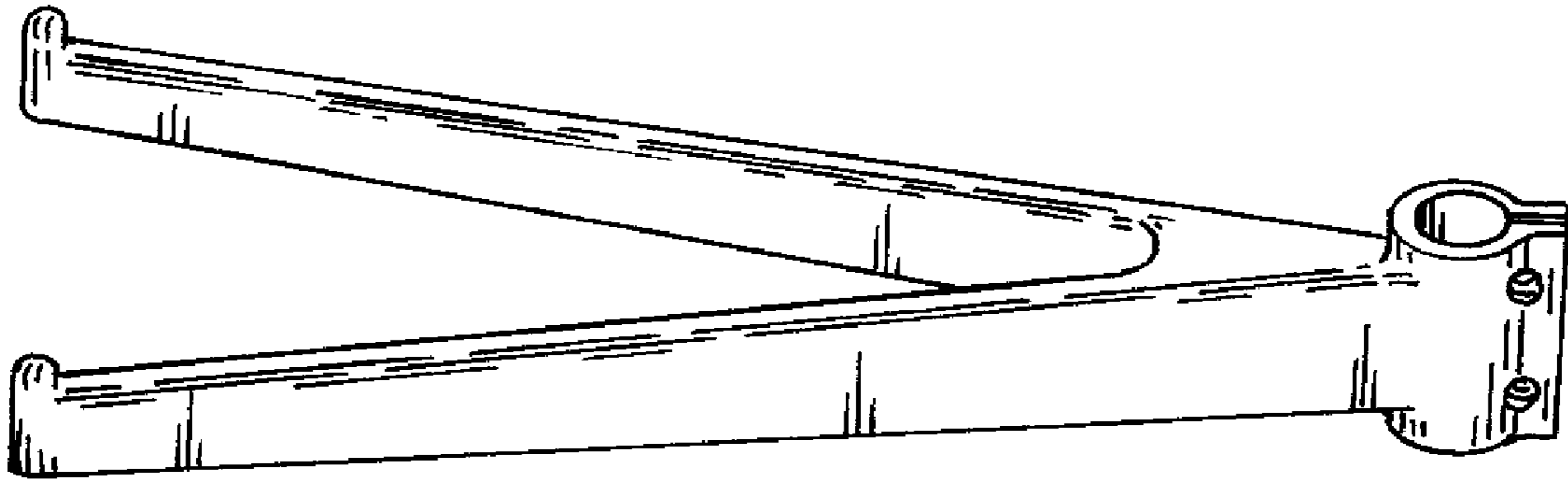


Fig. 1



Fig. 2

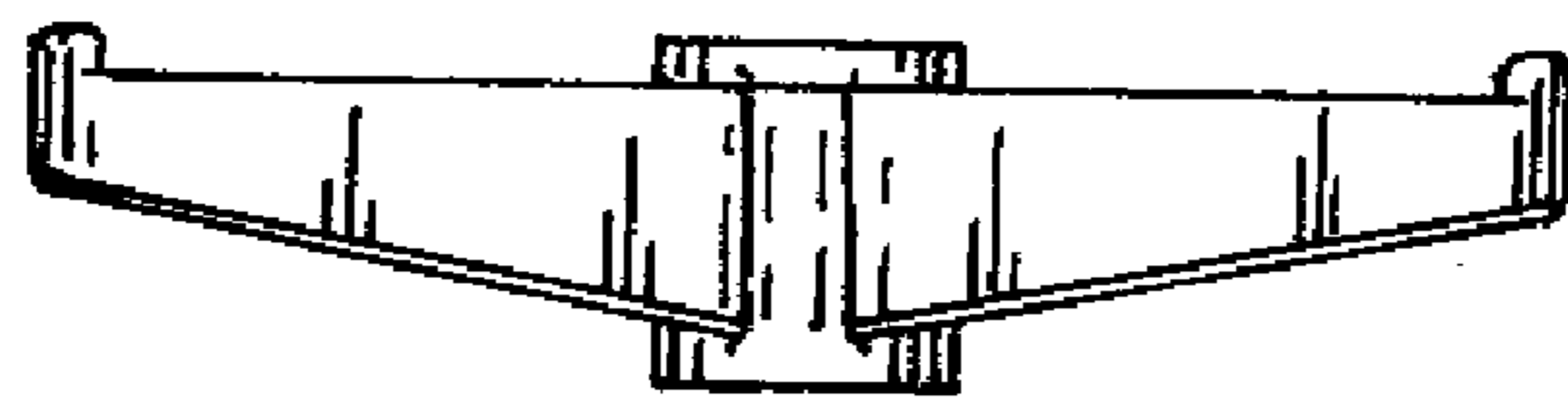


Fig. 3

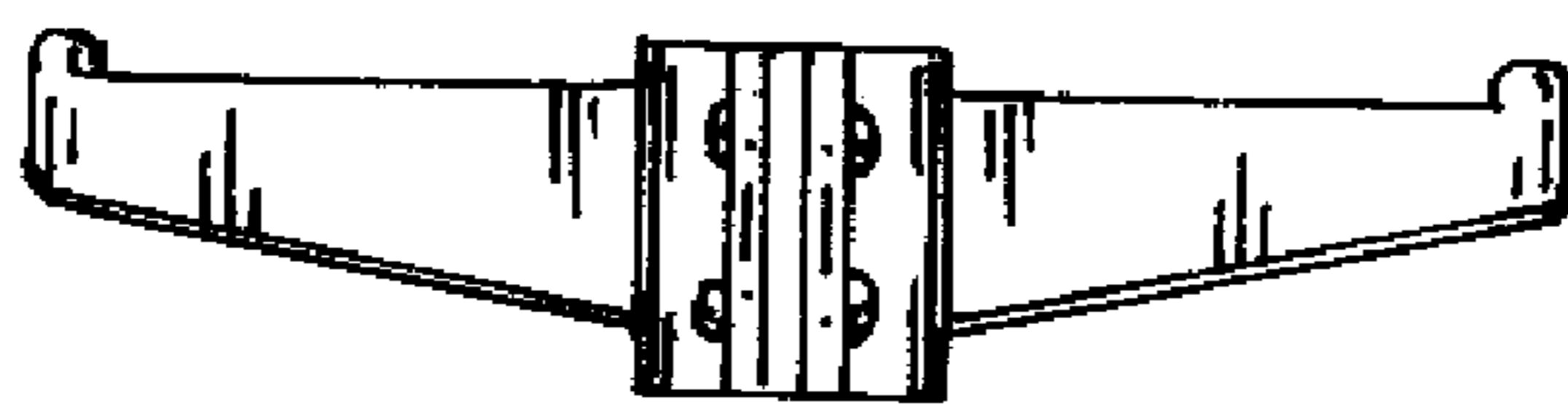


Fig. 4

Fig. 5

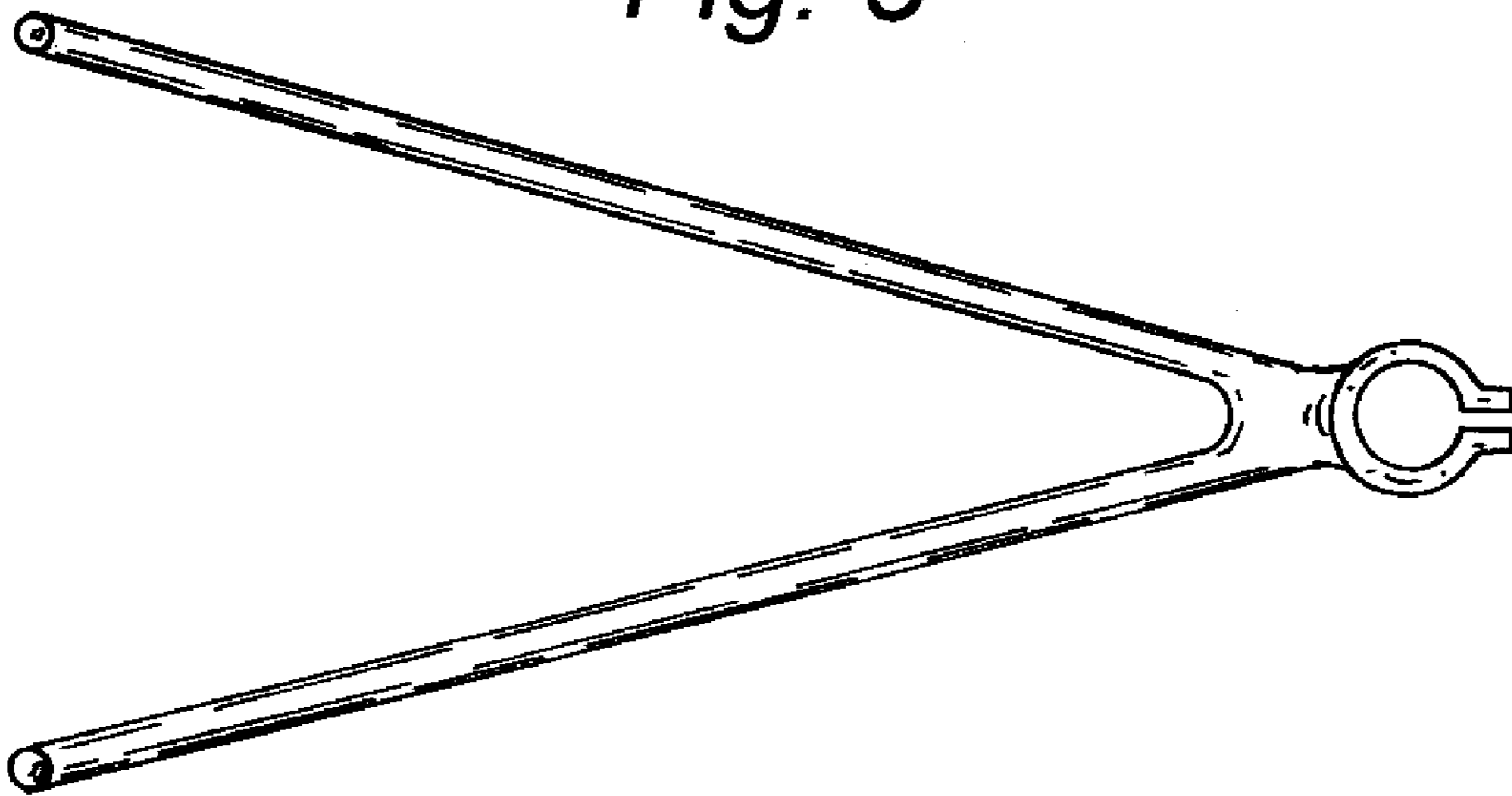


Fig. 6

