



US00D569149S

(12) **United States Design Patent**  
**Walker**

(10) **Patent No.:** **US D569,149 S**

(45) **Date of Patent:** **\*\* May 20, 2008**

(54) **SHOWER CADDY**

D557,050 S \* 12/2007 Dretzka et al. .... D6/525

(75) Inventor: **David Lamont Walker**, Chester, PA  
(US)

(73) Assignee: **Zenith Products Corp.**, New Castle,  
DE (US)

(\*\*) Term: **14 Years**

(21) Appl. No.: **29/284,758**

(22) Filed: **Sep. 14, 2007**

(51) **LOC (8) Cl.** ..... **23-02**

(52) **U.S. Cl.** ..... **D6/525**

(58) **Field of Classification Search** ..... D6/524,  
D6/525, 566, 536, 540; 211/13.1, 74, 71.01,  
211/86.01, 75, 88.01, 90.01, 90.03, 106, 119,  
211/126.1, 133.5, 181.1, 134  
See application file for complete search history.

(56) **References Cited**

**U.S. PATENT DOCUMENTS**

3,789,996	A *	2/1974	Stroh	.....	211/181.1
D377,286	S *	1/1997	Munoz	.....	D6/525
5,620,105	A *	4/1997	Macek	.....	D6/525
D397,567	S *	9/1998	Hofman	.....	D6/525
D479,073	S *	9/2003	Snell	.....	D6/525
D493,991	S *	8/2004	Dretzka	.....	D6/525
D496,549	S *	9/2004	Snell	.....	D6/525
D498,102	S *	11/2004	Snell	.....	D6/525
D513,373	S *	1/2006	Harwanko	.....	D6/525
D530,551	S *	10/2006	Snell	.....	D6/525
D530,948	S *	10/2006	Snell	.....	D6/525
D552,393	S *	10/2007	Rosen	.....	D6/525

**OTHER PUBLICATIONS**

Photographic image, 1 page, Exhibit A.  
Photographic image, 1 page, Exhibit B.  
Photographic image, 1 page, Exhibit C.  
Photographic image, 1 page, Exhibit D.

\* cited by examiner

*Primary Examiner*—Brian N Vinson

(74) *Attorney, Agent, or Firm*—Panitch Schwarze Belisario  
& Nadel LLP

(57) **CLAIM**

The ornamental design for a shower caddy, as shown and described.

**DESCRIPTION**

FIG. 1 is a front right perspective view of a shower caddy in accordance with my new design;

FIG. 2 is a front elevation view of the shower caddy shown in FIG. 1;

FIG. 3 is a rear elevation view of the shower caddy shown in FIG. 1;

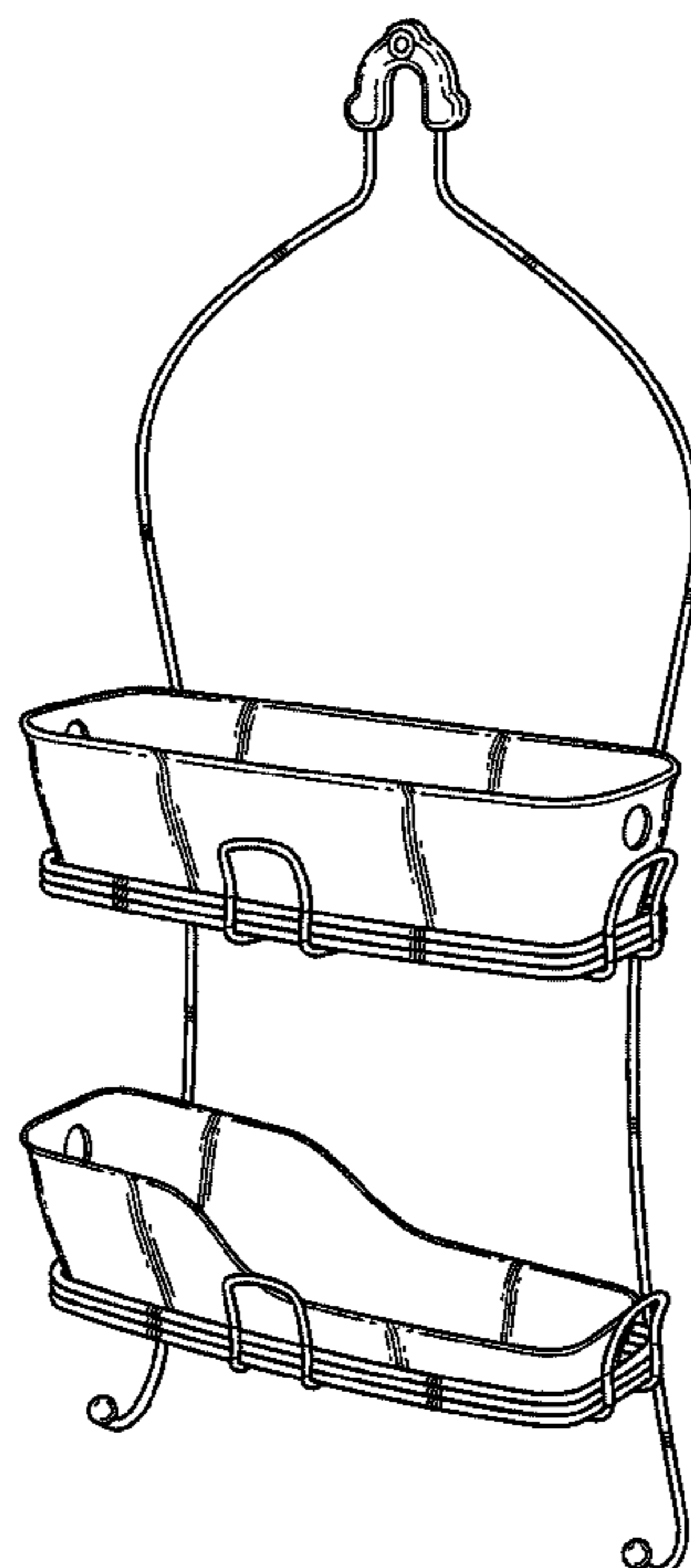
FIG. 4 is a right side elevation view of the shower caddy shown in FIG. 1;

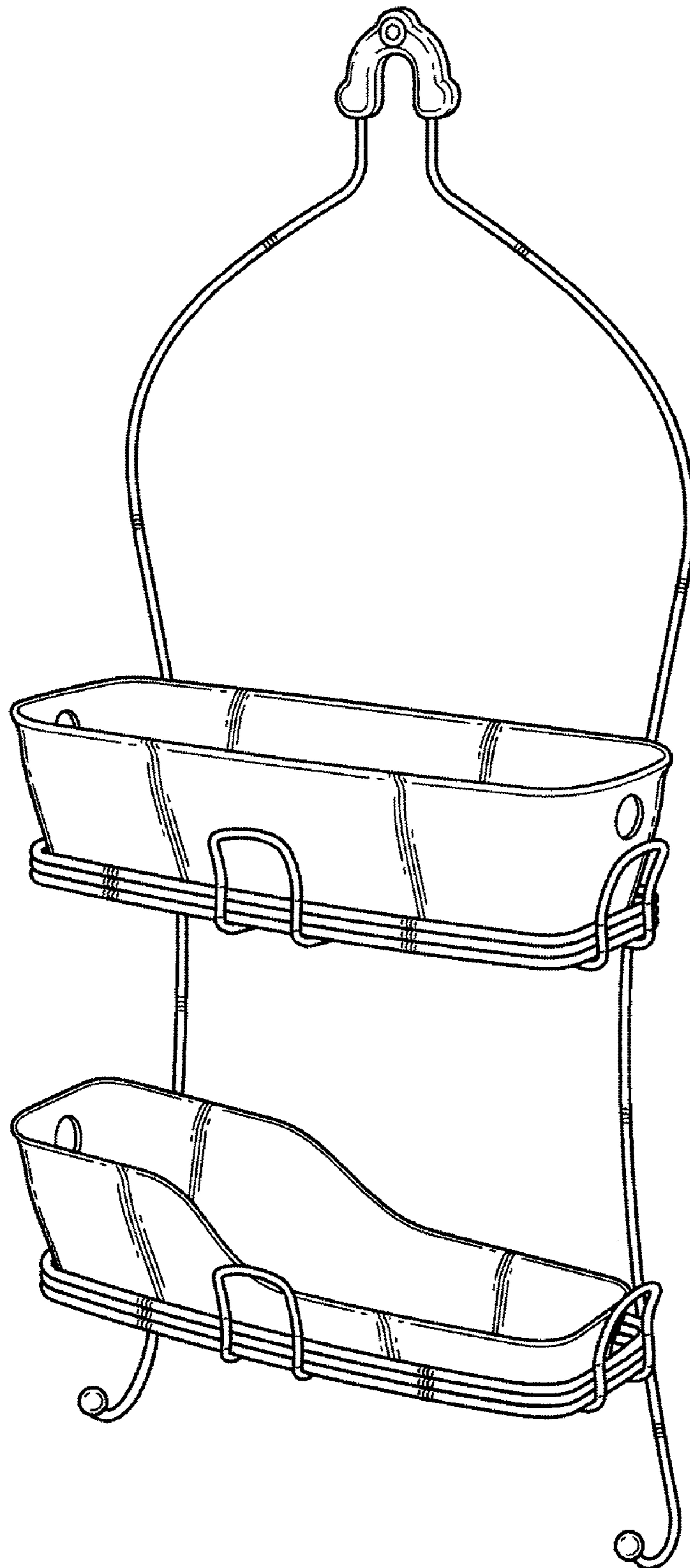
FIG. 5 is a left side elevation view of the shower caddy shown in FIG. 1;

FIG. 6 is a top plan view of the shower caddy shown in FIG. 1; and,

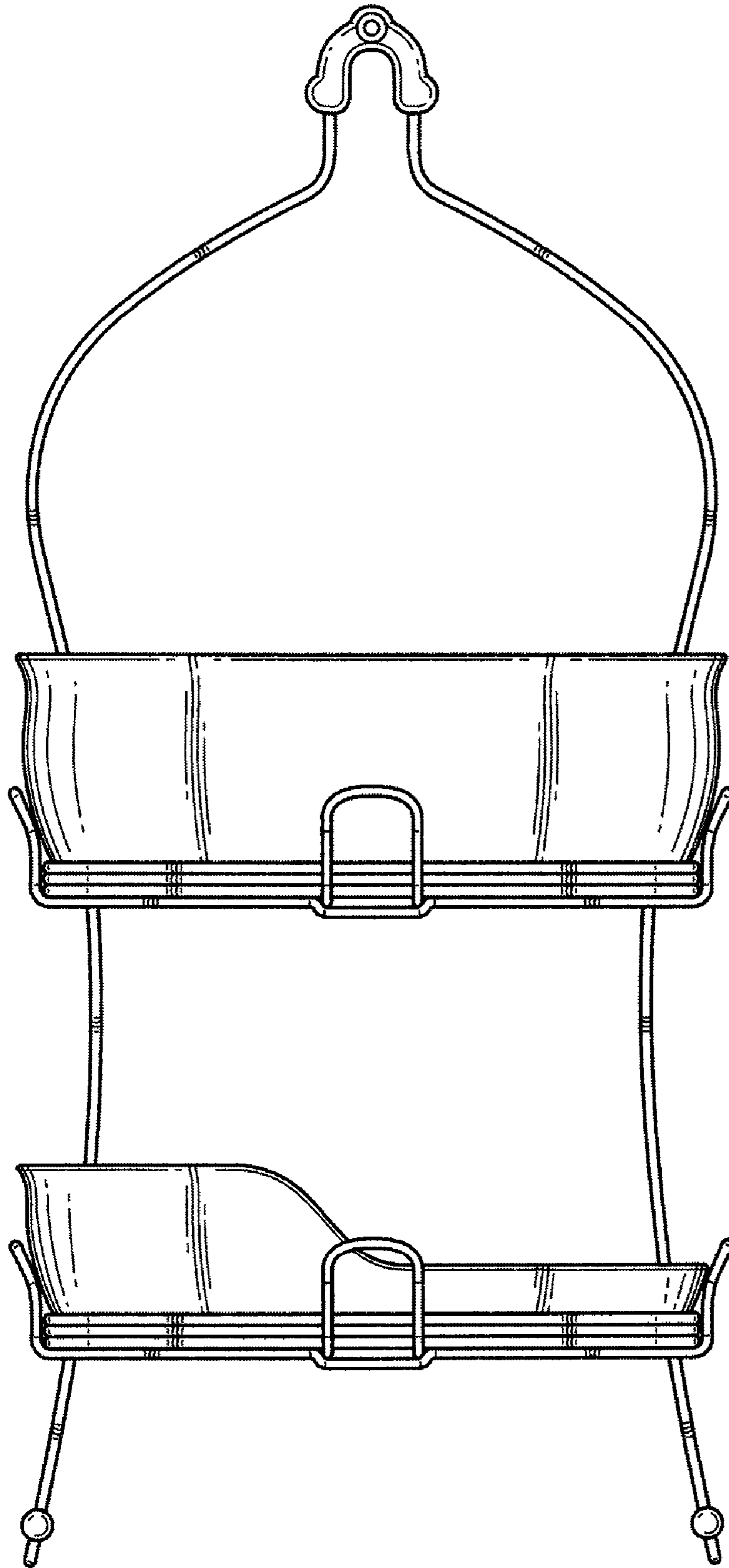
FIG. 7 is a bottom plan view of the shower caddy shown in FIG. 1.

**1 Claim, 5 Drawing Sheets**





**FIG. 1**



**FIG. 2**

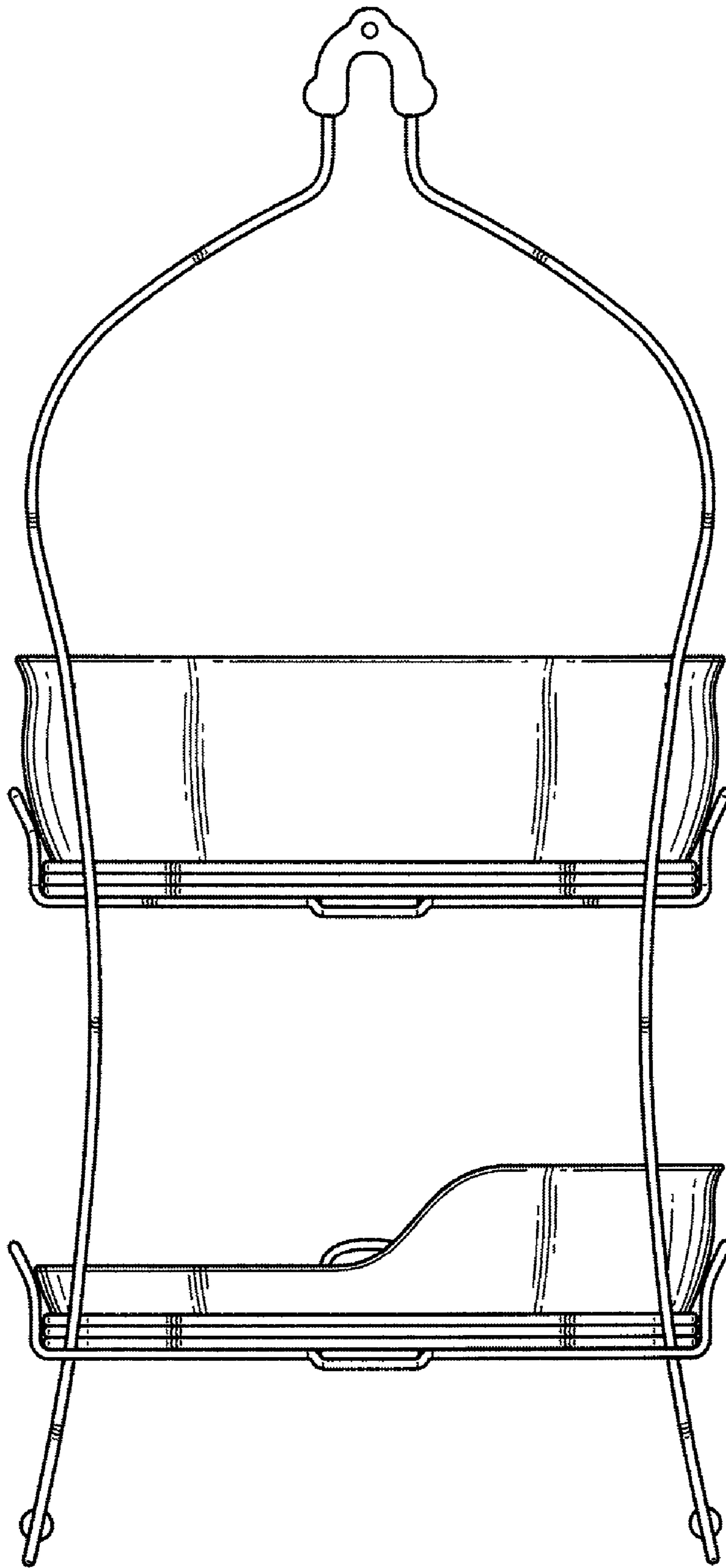


FIG. 3

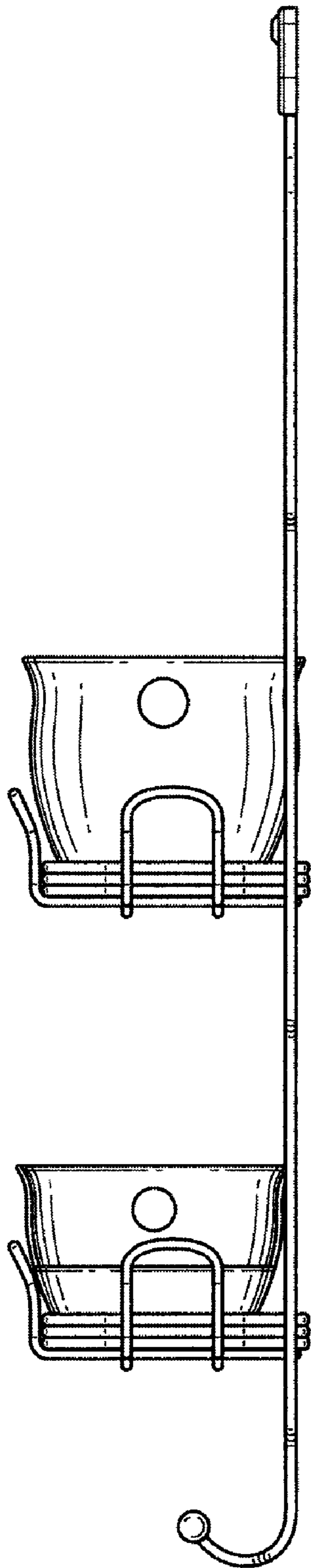


FIG. 4

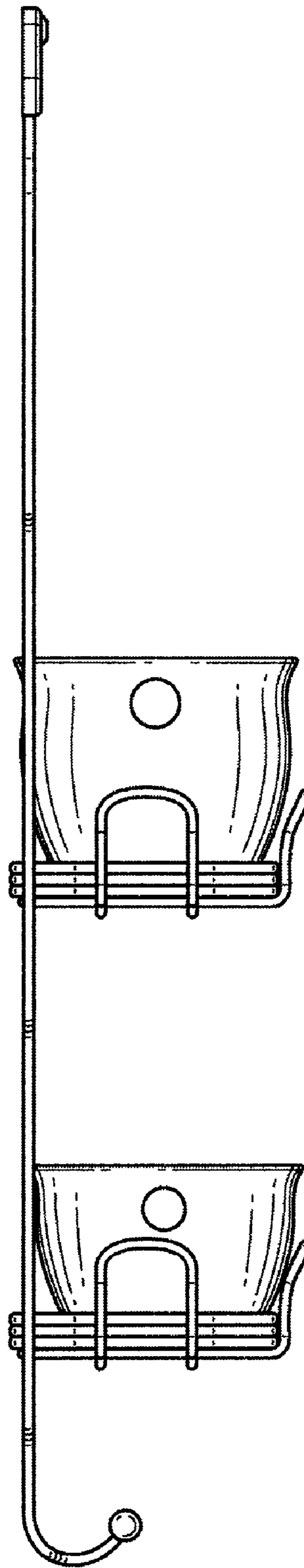
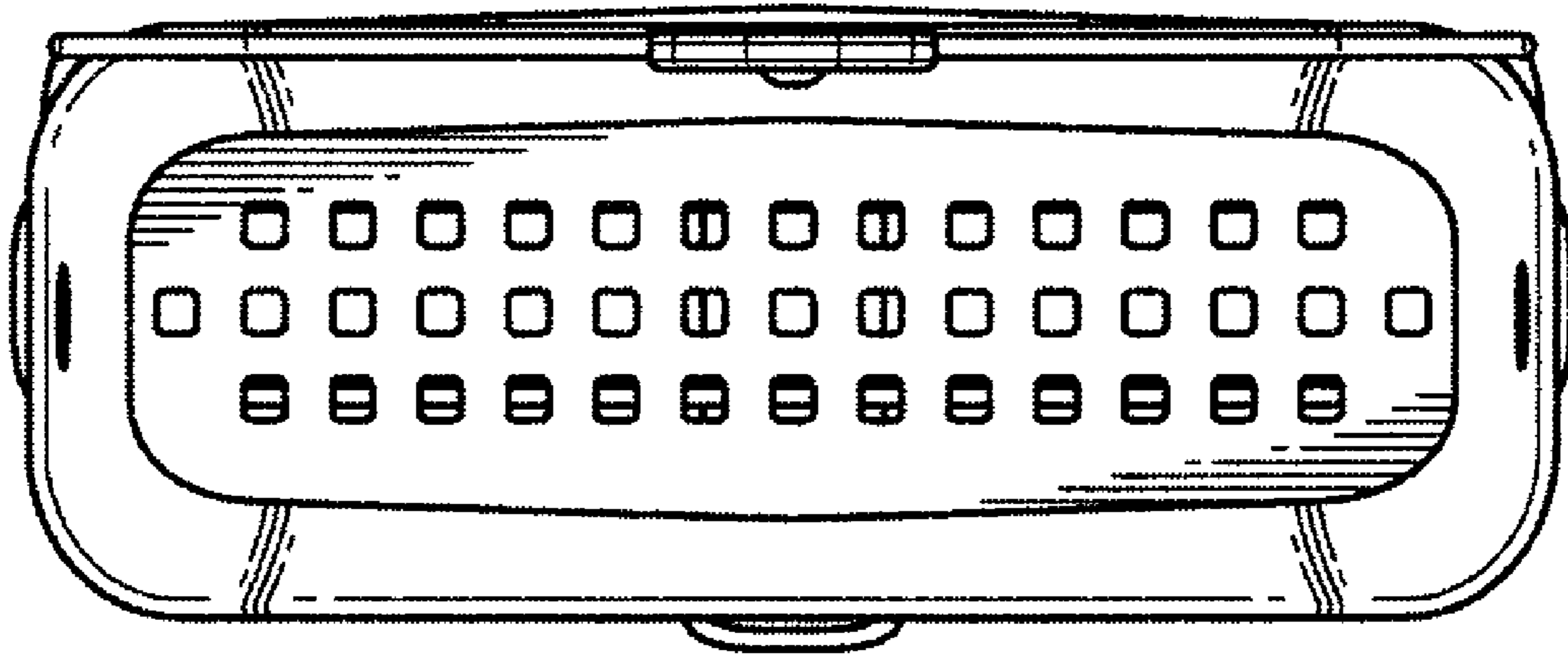
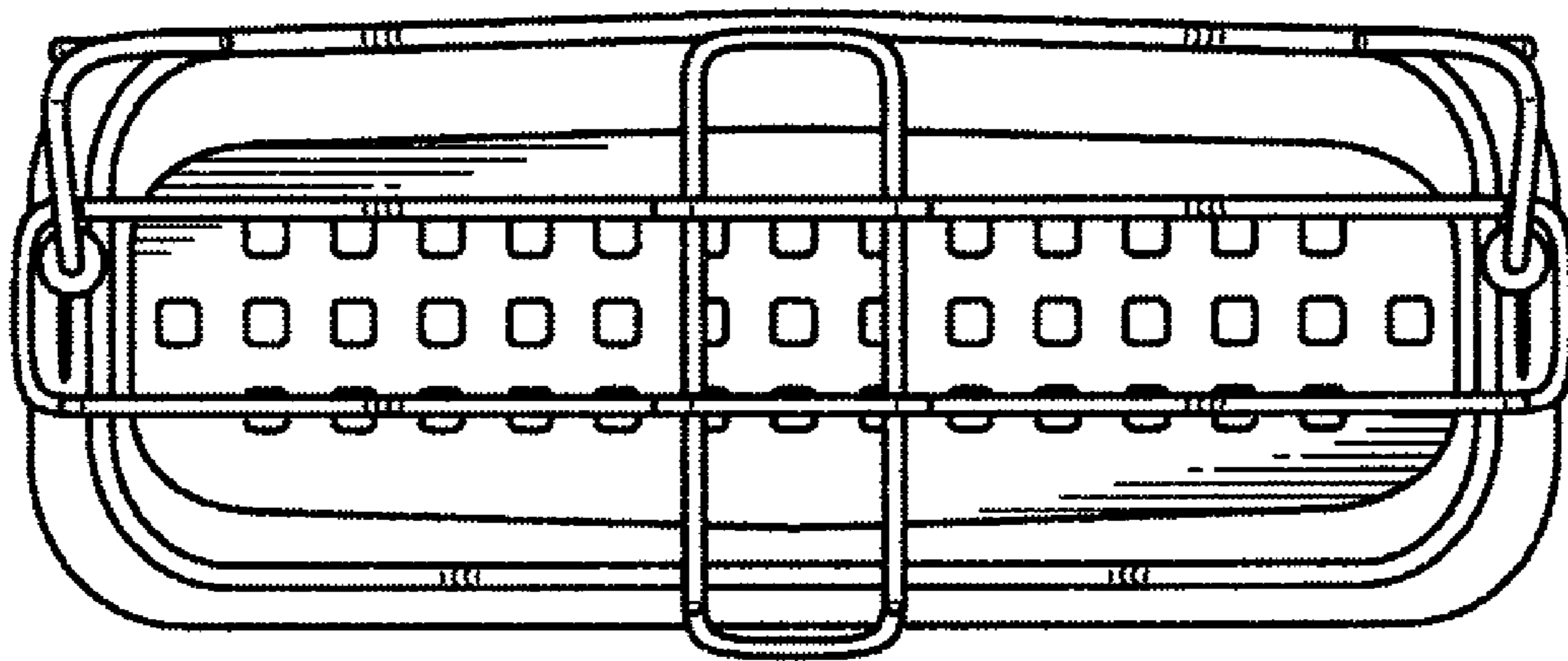


FIG. 5



**FIG. 6**



**FIG. 7**