

US00D569148S

(12) **United States Design Patent**  
**Yang et al.**

(10) **Patent No.:** **US D569,148 S**

(45) **Date of Patent:** **\*\* May 20, 2008**

(54) **SHELVING SYSTEM**

(75) Inventors: **Frank Yang**, Rancho Palos Verdes, CA (US); **Tzu-Hao Wei**, Hacienda Heights, CA (US); **Myk Wayne Lum**, Irvine, CA (US); **Adam C. Wade**, Rancho Santa Margarita, CA (US)

(73) Assignee: **simplehuman, LLC**, Torrance, CA (US)

(\*\*) Term: **14 Years**

(21) Appl. No.: **29/276,705**

(22) Filed: **Feb. 1, 2007**

(51) **LOC (8) Cl.** ..... **23-02**

(52) **U.S. Cl.** ..... **D6/525**

(58) **Field of Classification Search** ..... D6/524,  
D6/525, 329, 462, 468, 527, 569-570; 108/42,  
108/59, 106, 180, 144.11, 147.11, 147.12,  
108/147.15; 211/13.1, 85.12, 49.1, 71.01,  
211/86.01, 87.01, 90.01, 90.03, 90.04, 126.14,  
211/126.1, 112, 110, 106, 105.1, 88.01, 134,  
211/153, 175, 207, 181.1, 182; 248/130,  
248/142, 907

See application file for complete search history.

(56) **References Cited**

**U.S. PATENT DOCUMENTS**

D274,201	S	*	6/1984	Aaron	.....	D6/525
4,860,909	A	*	8/1989	Leumi	.....	248/907
D351,751	S	*	10/1994	Brightbill et al.	.....	D6/525
D388,642	S	*	1/1998	Winter	.....	D6/525

D417,991	S	*	12/1999	Hofman et al.	.....	D6/525
D419,020	S	*	1/2000	Emery et al.	.....	D6/562
D421,692	S	*	3/2000	Wojtowicz et al.	.....	D6/525
D421,867	S	*	3/2000	Carville et al.	.....	D6/562
D429,934	S	*	8/2000	Hofman	.....	D6/525
D443,162	S	*	6/2001	Winter	.....	D6/570
D475,561	S	*	6/2003	Suero, Jr.	.....	D6/525
6,688,238	B1	*	2/2004	Alexiou	.....	108/42
D543,747	S	*	6/2007	Harwanko	.....	D6/525

\* cited by examiner

*Primary Examiner*—Brian N Vinson

(74) *Attorney, Agent, or Firm*—Knobbe, Martens, Olson & Bear, LLP

(57) **CLAIM**

The ornamental design for a shelving system, as shown and described.

**DESCRIPTION**

FIG. 1 is a front, top, and left side perspective view of a shelving system embodying my new design;

FIG. 2 is a front elevational view thereof;

FIG. 3 is a rear elevational view thereof;

FIG. 4 is a right side elevational view thereof;

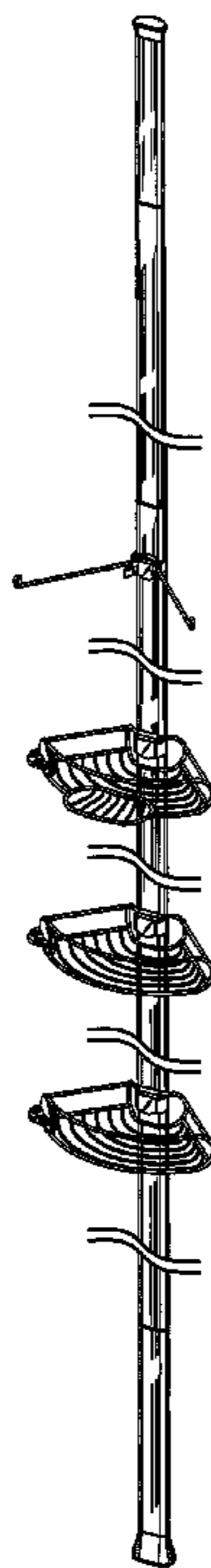
FIG. 5 is a left side elevational view thereof;

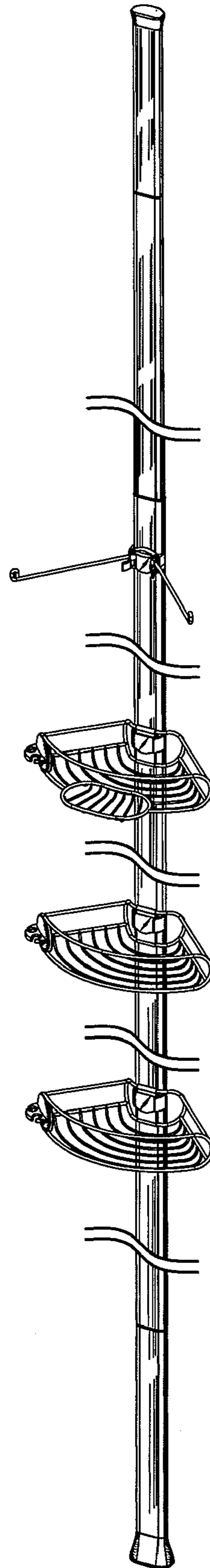
FIG. 6 is an enlarged bottom plan view thereof; and,

FIG. 7 is an enlarged top plan view thereof.

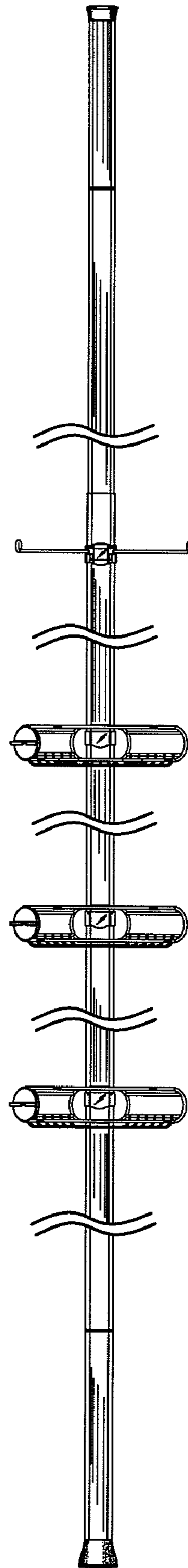
The vertical pole element in the disclosure is shown broken-away to indicate indeterminate length.

**1 Claim, 5 Drawing Sheets**

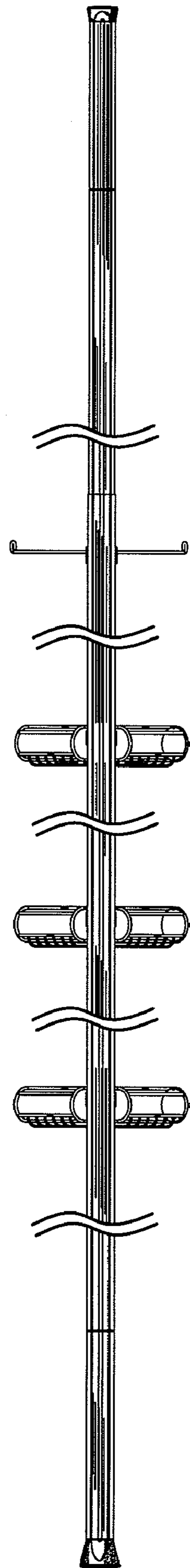




*FIG. 1*



*FIG. 2*



*FIG. 3*

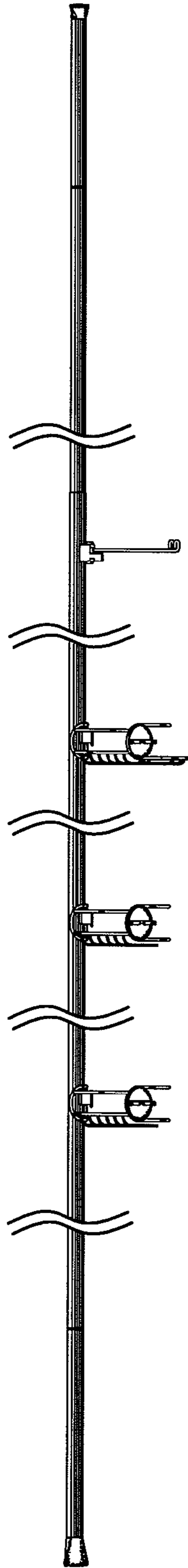


FIG. 4

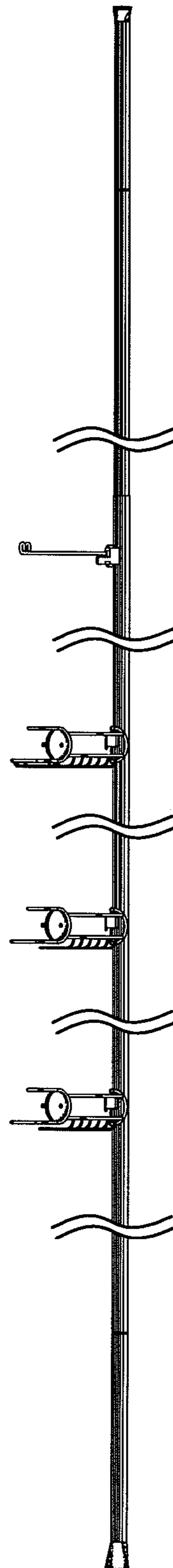
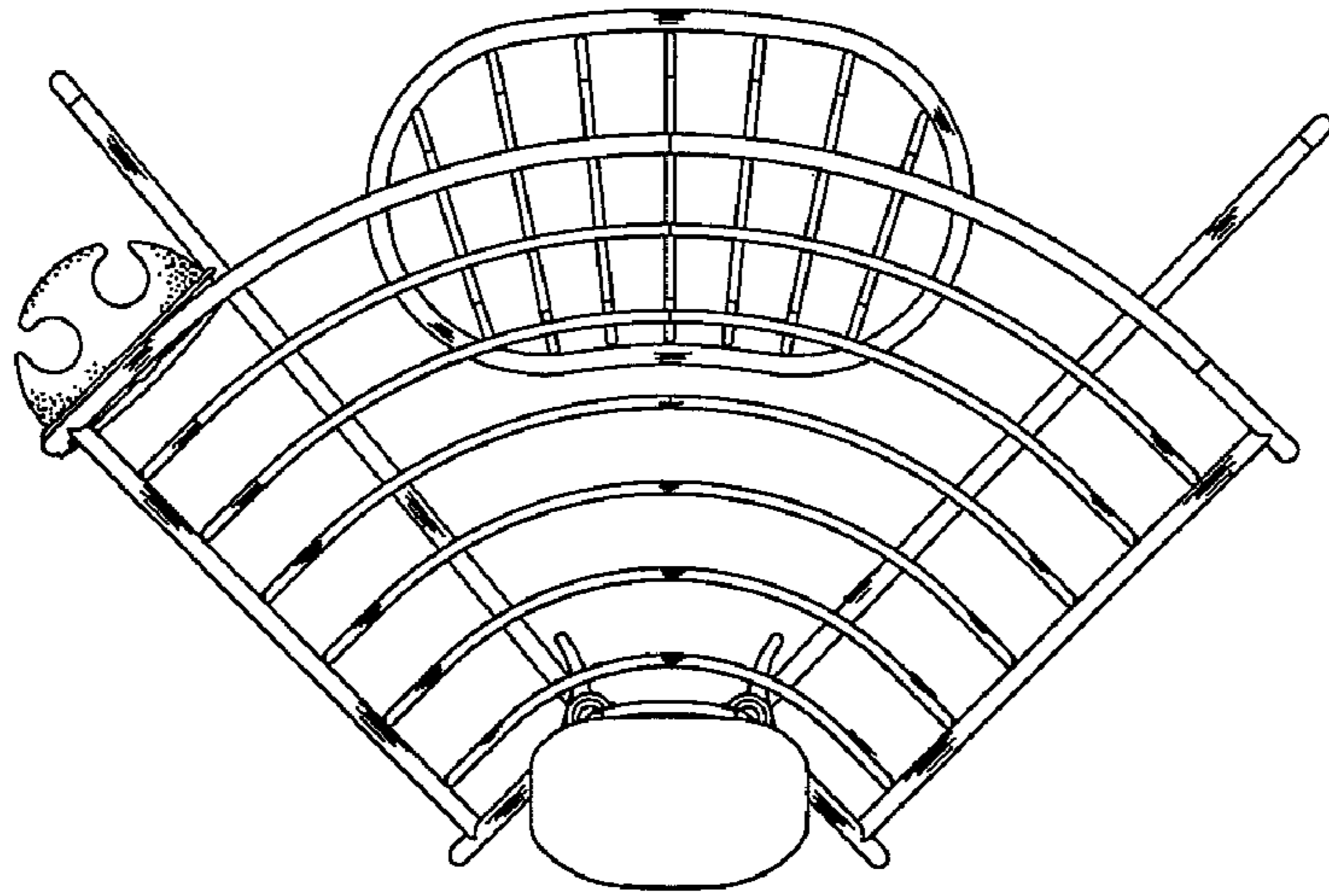
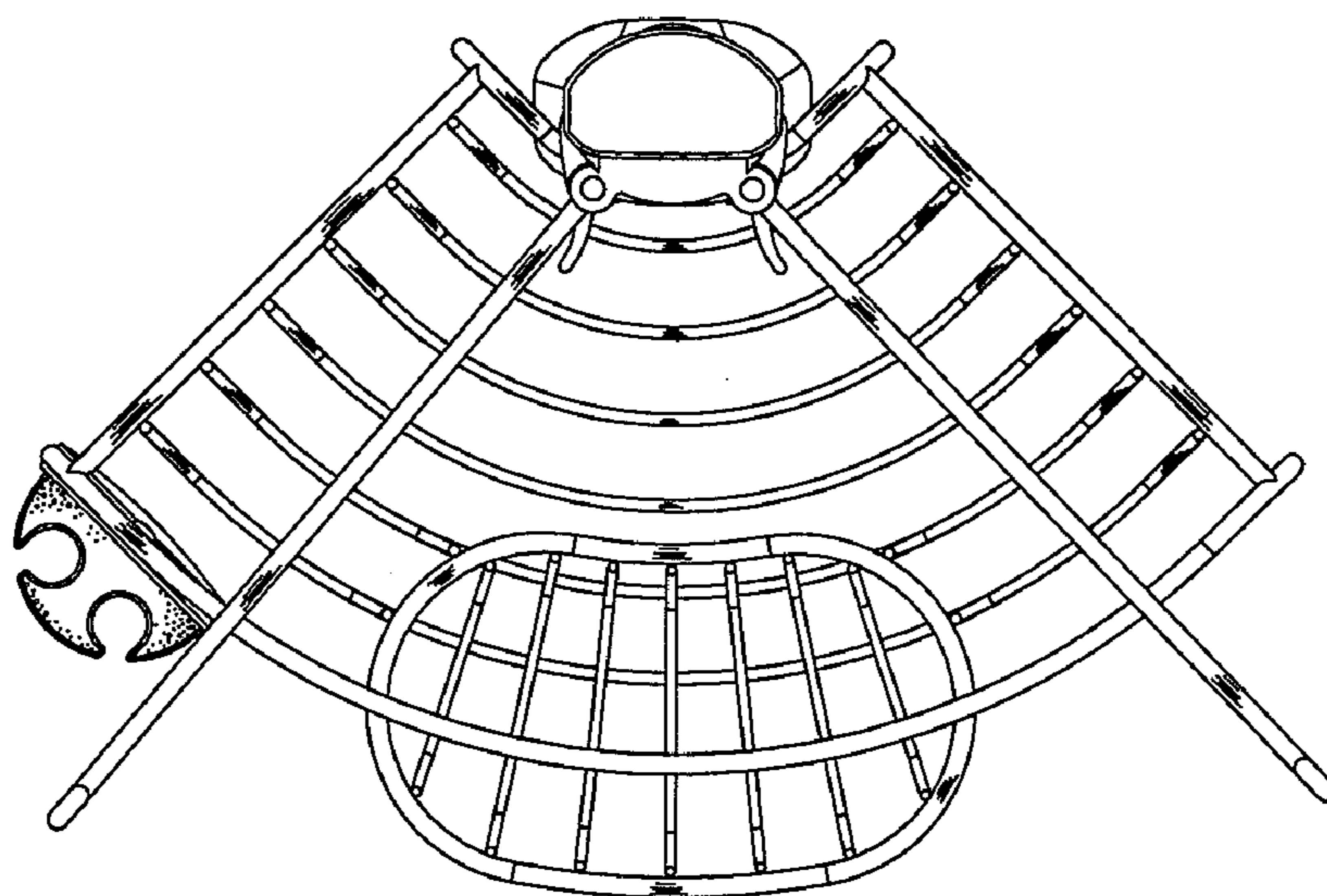


FIG. 5



*FIG. 6*



*FIG. 7*