



US00D569147S

(12) **United States Design Patent**
Gilbert

(10) **Patent No.:** **US D569,147 S**

(45) **Date of Patent:** **** May 20, 2008**

(54) **ACCESSORY POST**

(75) Inventor: **Christopher Jon Gilbert**, Moreland Hills, OH (US)

(73) Assignee: **Moen Incorporated**, North Olmsted, OH (US)

(**) Term: **14 Years**

(21) Appl. No.: **29/292,419**

(22) Filed: **Oct. 11, 2007**

(51) **LOC (8) Cl.** **23-02**

(52) **U.S. Cl.** **D6/524; D6/550**

(58) **Field of Classification Search** D6/524, D6/546-550; D8/300, 303, 315-321, 354, D8/363, 373, 380; 108/28-29; 211/13.1, 211/16, 60.1, 86.01, 87.01, 88.01, 88.04, 211/100, 105.1, 105.2, 123, 126.1, 133.6, 211/134, 181.1, 182; 248/175, 176.1, 200, 248/251, 302, 309.1; 16/110.1, 412, 415; 242/570, 590, 595-598; 206/389, 557

See application file for complete search history.

(56) **References Cited**

U.S. PATENT DOCUMENTS

D361,006 S	8/1995	Sharpe
D371,826 S	7/1996	Robbins
D394,971 S	6/1998	Moore
D408,188 S	4/1999	Kuo
D431,948 S	10/2000	Chen
D437,631 S	2/2001	Robbins
D449,950 S	11/2001	Lai
D455,588 S	4/2002	Ou-Young
D465,956 S	11/2002	Ouyoung
D466,350 S	12/2002	Tai
D466,745 S	12/2002	Chou
D469,644 S	2/2003	Yen
D477,740 S	7/2003	Gilbert
D478,448 S	8/2003	Hoernig
D493,315 S	7/2004	Gilbert
D495,178 S	8/2004	Fahy et al.
D497,752 S	11/2004	Roberts, III et al.

D498,100 S	11/2004	Wu	
D498,960 S	11/2004	Fahy et al.	
D514,203 S	1/2006	Kulig	
D516,352 S	3/2006	Gilbert	
D516,353 S	3/2006	Gilbert	
D516,354 S *	3/2006	Sedwick	D6/550
D516,357 S *	3/2006	Gilbert et al.	D6/550
D518,325 S	4/2006	Gilbert	
D520,282 S *	5/2006	Hoernig	D6/550
D520,789 S *	5/2006	Zhu et al.	D6/550
D520,792 S *	5/2006	Wu	D6/550
D520,793 S	5/2006	Gilbert	
D533,384 S *	12/2006	Gilbert	D6/550
D533,642 S *	12/2006	Gilbert et al.	D6/524
D544,266 S *	6/2007	Wu	D6/524

(Continued)

Primary Examiner—Brian N Vinson
(74) *Attorney, Agent, or Firm*—Calfee, Halter & Griswold LLP

(57) **CLAIM**

The ornamental design for an accessory post, as shown and described.

DESCRIPTION

FIG. 1 is a perspective view of an accessory post of the new design;

FIG. 2 is a front elevational view of the accessory post of FIG. 1;

FIG. 3 is a rear elevational view of the accessory post of FIG. 1;

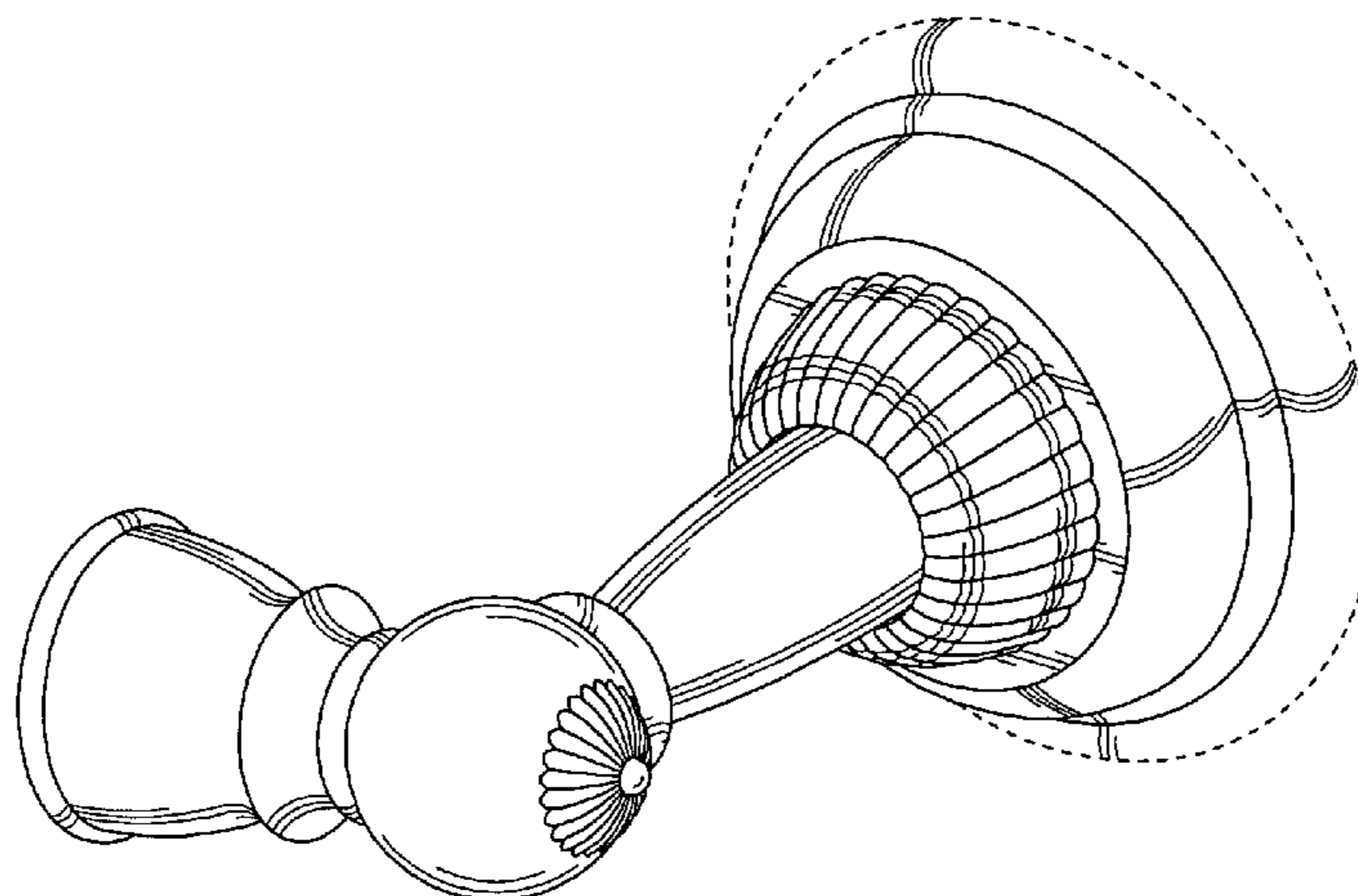
FIG. 4 is a left side elevational view of the accessory post of FIG. 1;

FIG. 5 is a right side elevational view of the accessory post of FIG. 1; and,

FIG. 6 is a top plan view of the accessory post of FIG. 1, the bottom plan view being a mirror image.

The portions of the Figures shown in broken lines are not part of the claimed design and are for illustration only.

1 Claim, 3 Drawing Sheets



US D569,147 S

Page 2

U.S. PATENT DOCUMENTS

D551,325 S *	9/2007	Kennard	D6/524	
D551,479 S *	9/2007	Gilbert	D6/524	* cited by examiner
D554,406 S *	11/2007	Sedwick et al.	D6/524	
D557,049 S *	12/2007	Sedwick et al.	D6/524	

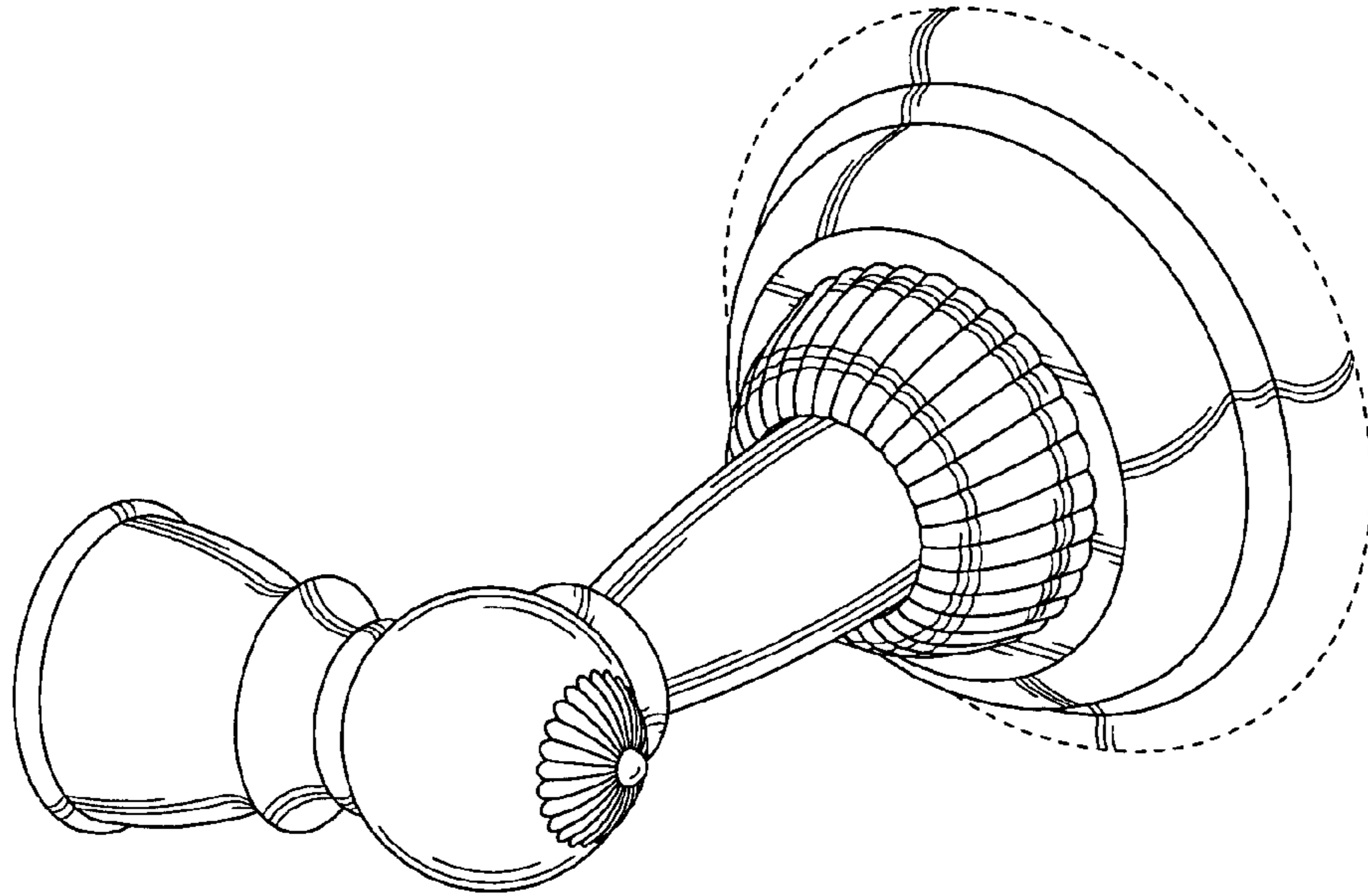


FIG. 1

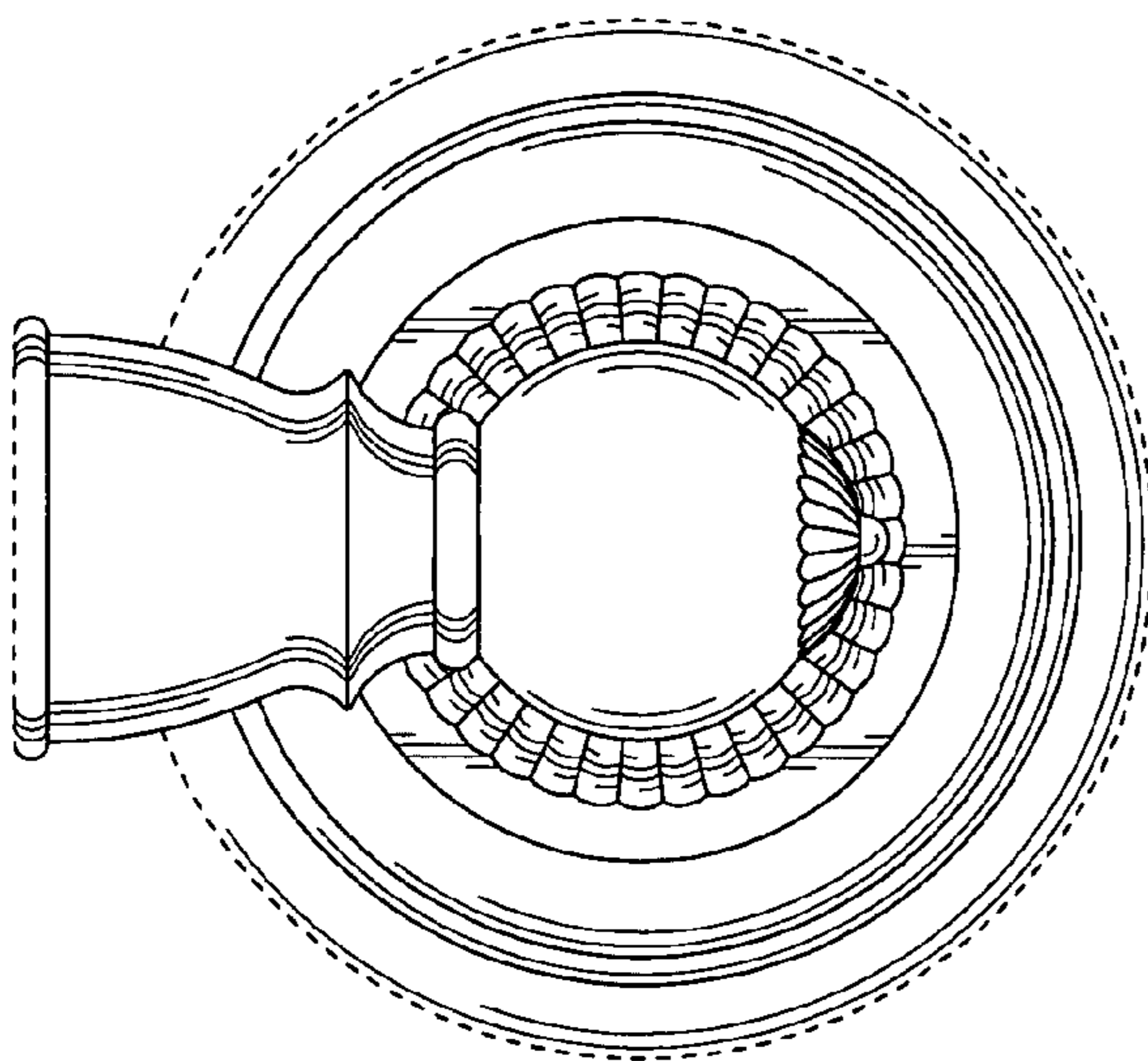


FIG. 2

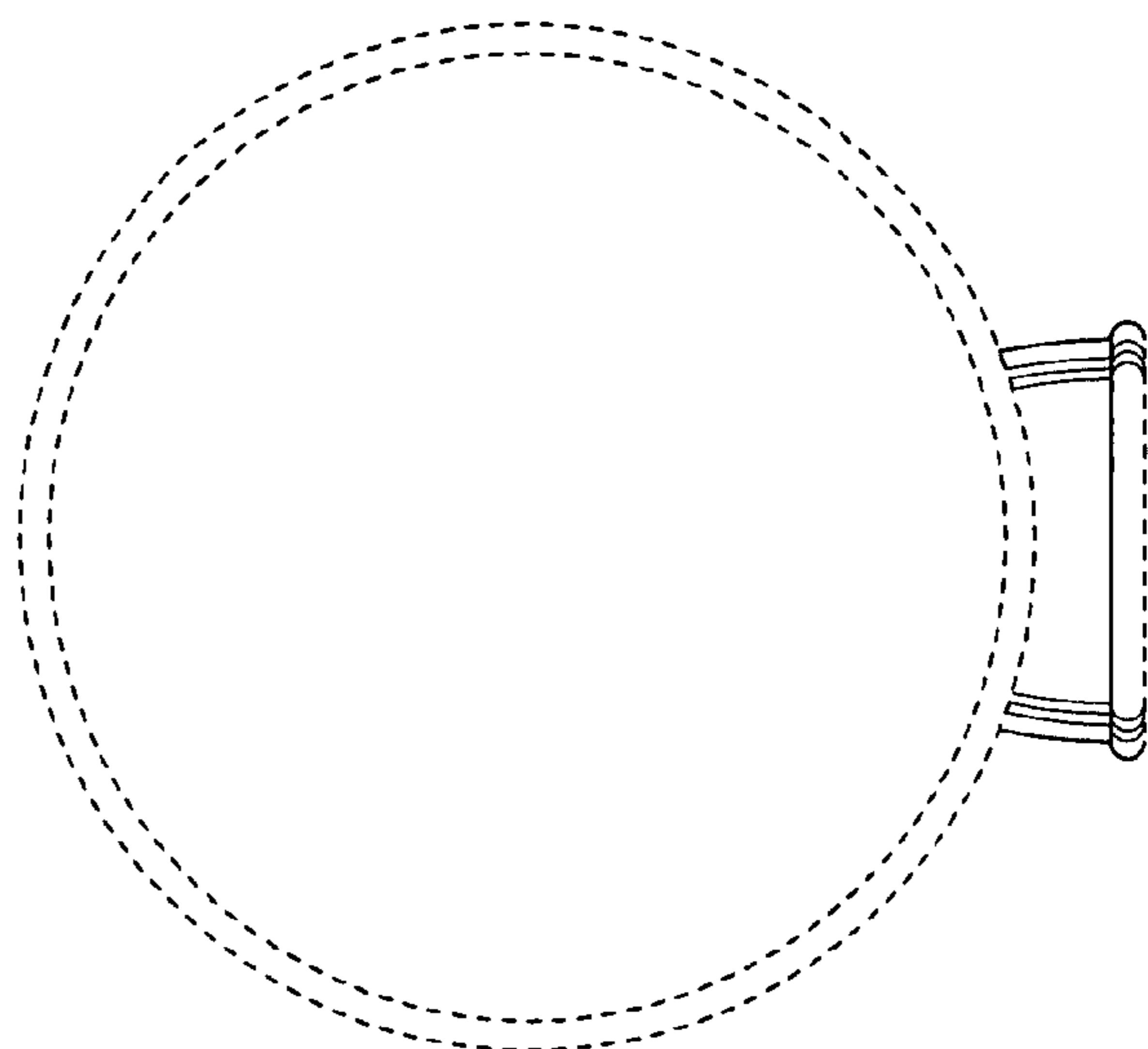
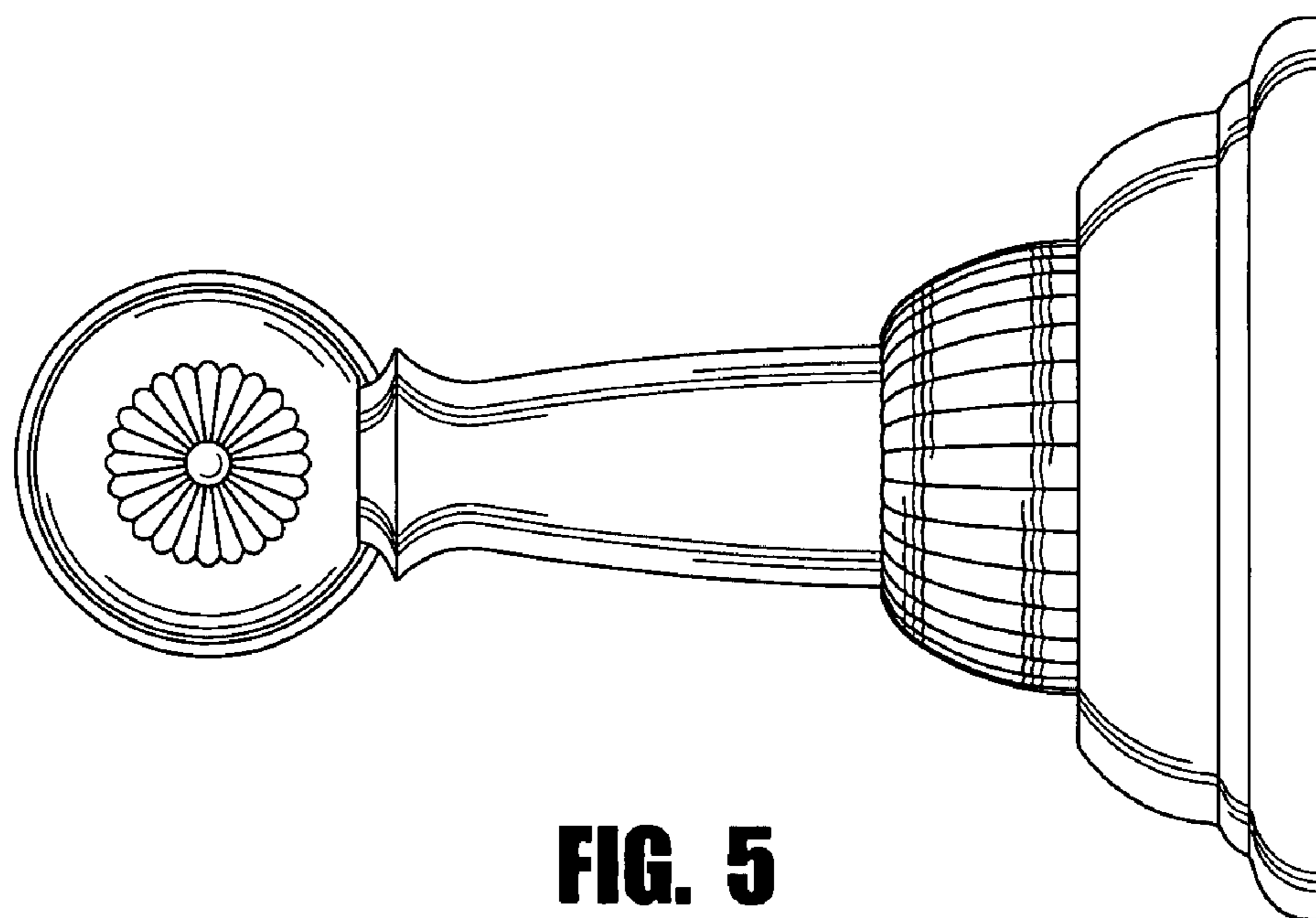
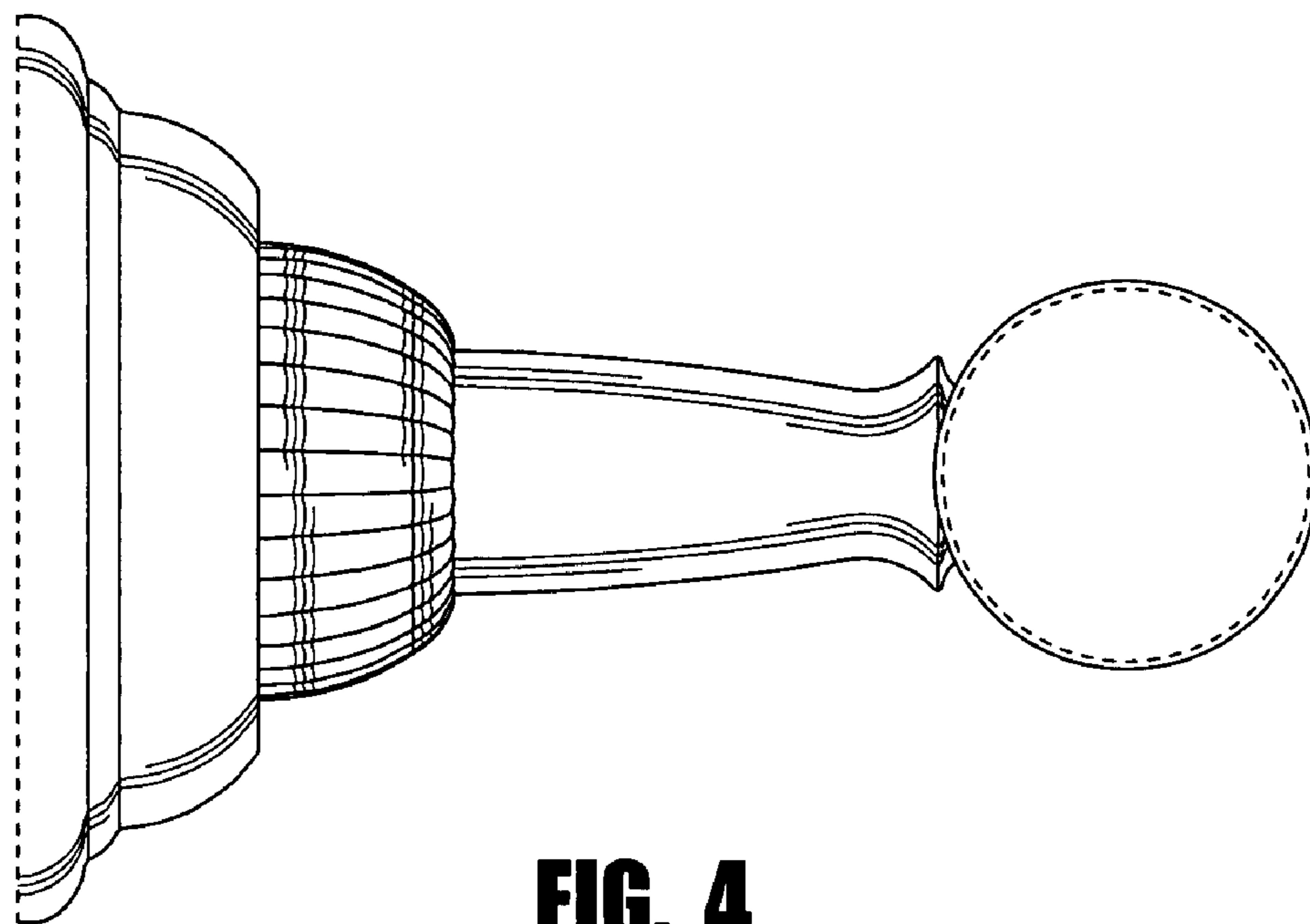


FIG. 3



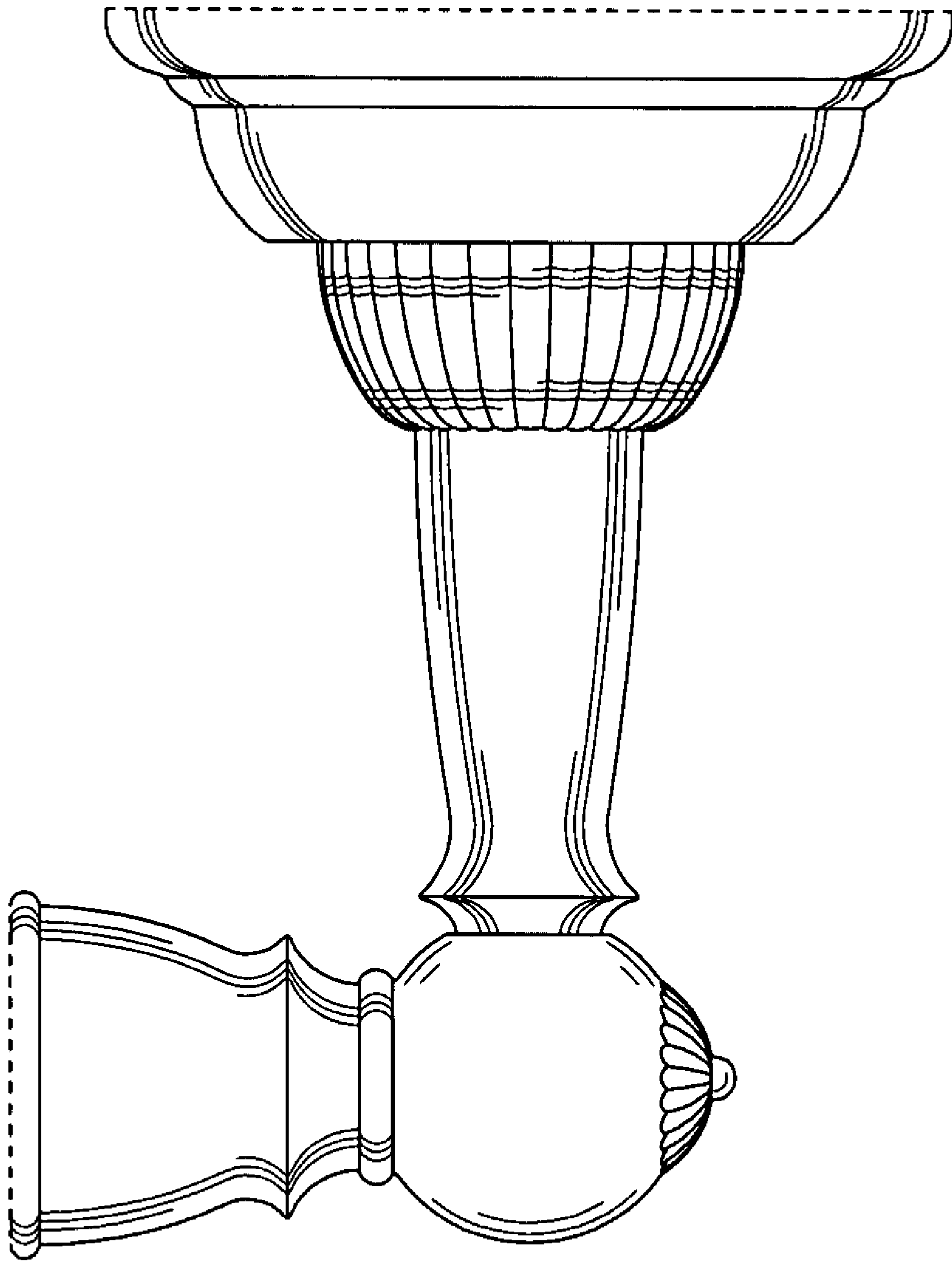


FIG. 6